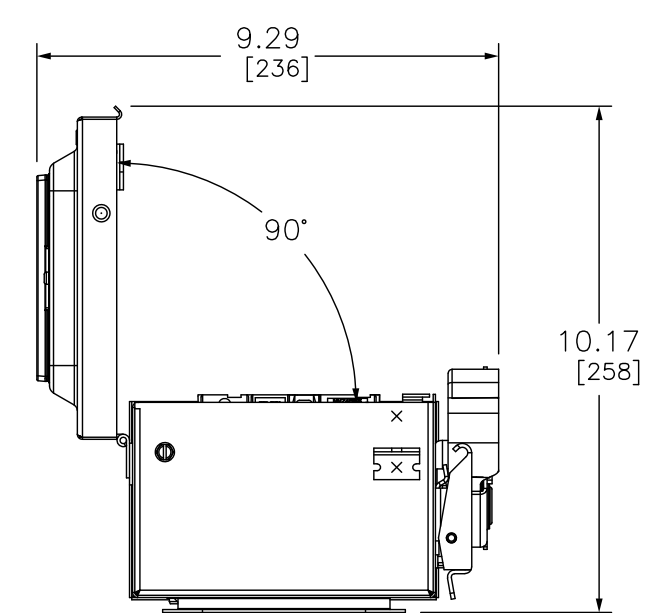
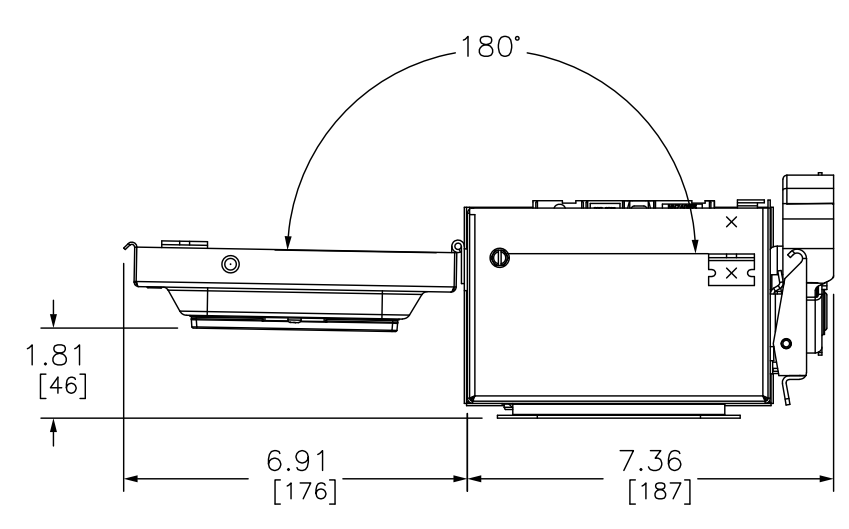
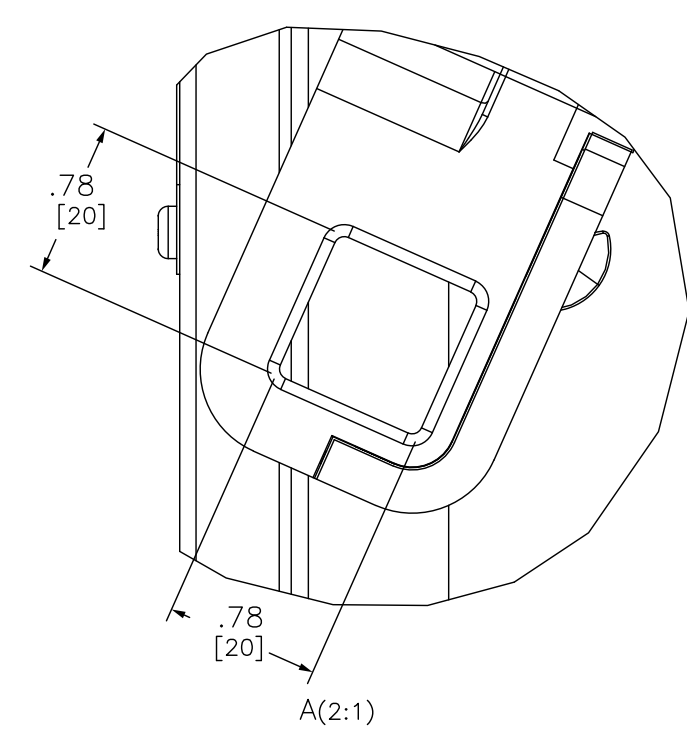
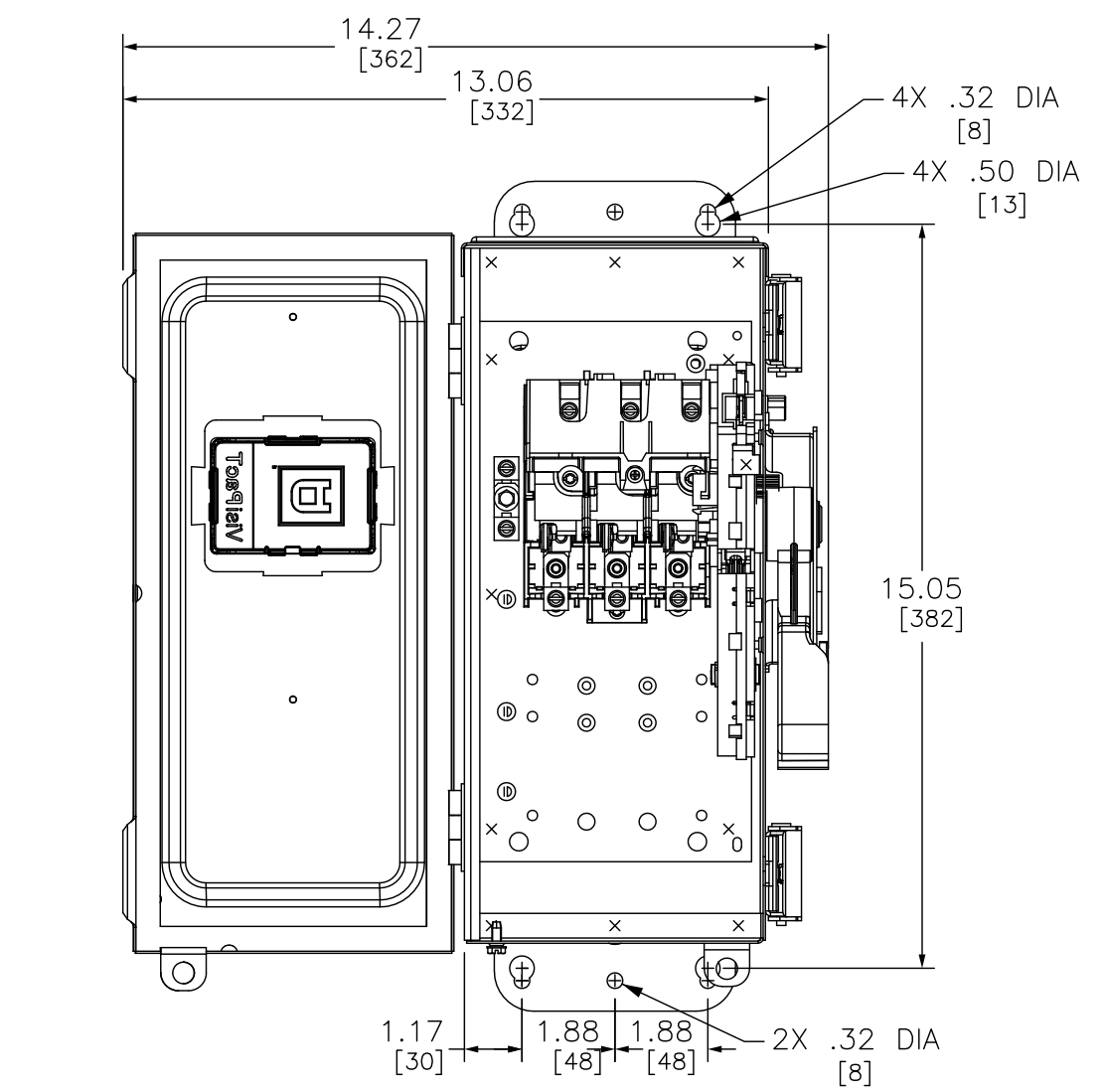


DUAL DIMENSIONS: INCHES
MILLIMETERS

HEAVY DUTY SAFETY SWITCH
VISIBLE BLADE TYPE
30 AMPERE
ENCLOSURE - NEMA TYPE 12

SQUARE D™
by Schneider Electric

DWG# VHU361AWKGL PG 1
NO.



DUAL DIMENSIONS: INCHES
 MILLIMETERS

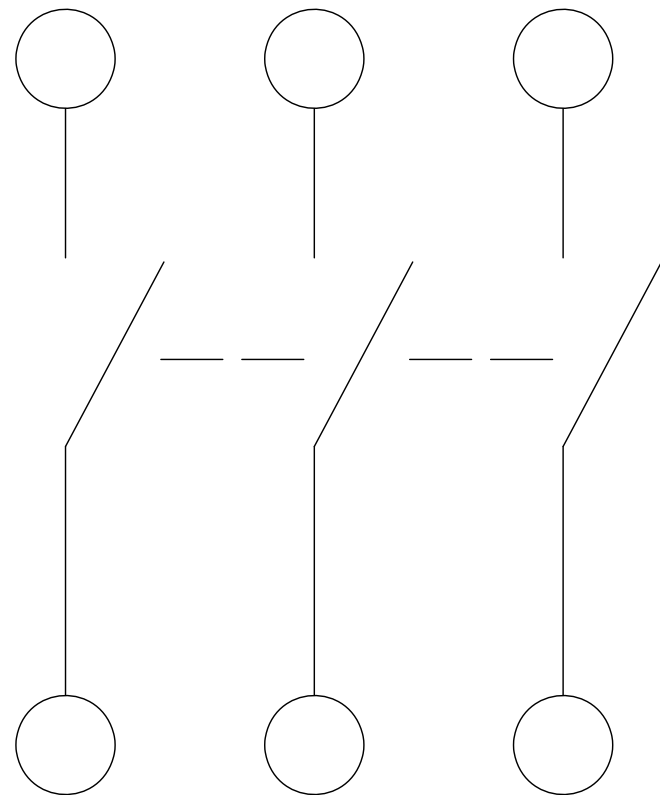
HEAVY DUTY SAFETY SWITCH
 VISIBLE BLADE TYPE
 30 AMPERE
 ENCLOSURE - NEMA TYPE 12



DWG# VHU361AWKGL PG 2
 NO.

LINE SIDE

ACCEPTS: 12-2 AWG AL
14-2 AWG CU



LOAD SIDE

ACCEPTS: 12-2 AWG AL
14-2 AWG CU

NOTES:

FINISH – GALVANNEAL STEEL, GRAY BAKED ENAMEL

LUGS SUITABLE FOR 60~C OR 75~C AL-CU CONDUCTORS

SHORT CIRCUIT CURRENT RATINGS:
10,000 RMS SYMMETRICAL AMPERES WHEN USED IN CONJUNCTION WITH CLASS H OR K FUSES.
200,000 RMS SYMMETRICAL AMPERES WHEN USED IN CONJUNCTION WITH CLASS R, J OR T FUSES.

cULus LISTED – FILE E2875

SEISMIC NOTES:
USE (4) 1/4" DIA GRADE 5 STEEL MOUNTING BOLTS AT SWITCH MOUNTING HOLES. MAX CONFIGURED WEIGHT 14 LB FOR THE PURPOSE OF DETERMINING SEISMIC ANCHORAGE REQUIREMENTS. FOR ALL OTHER APPLICATIONS, CONTACT SQUARE D COMPANY.

CATALOG NUMBER	VOLTAGE RATING	AMPERAGE RATING	ENCLOSURE RATING
VHU361AWKGL	600 VAC/VDC	30A	TYPE 12

HORSEPOWER RATINGS			
VOLTS	Ø	STD	MAX
120V~	1	--	2
240V~	1	--	5
240V~	3	--	10
480V~	1	--	7.5
480V~	3	--	20
600V~	1	--	10
600V~	3	--	30
125V=	--	--	3
250V=	--	--	5
600V=	--	--	15

*USE BOTH OUTER SWITCHING POLES

**IF CORNER GROUNDED DELTA, INSTALL NEUTRAL AND USE OUTER SWITCHING POLES FOR UNGROUNDED CONDUCTORS

ACCESSORIES		
KIT	VOLTAGE	PART NUMBER
ELECTRICAL INTERLOCK	600V & 240V	EIK031, EIK032
CLASS R FUSE KITS	600V	RFK03L, RFK06
	240V	RFK03L
INTERNAL BARRIER	600V & 240V	SS03
FUSE PULLER	600V & 240V	FPK03
SOLID NEUTRAL ASSEMBLY	600V & 240V	SN03 FOR AL SN03C FOR CU
		FOR CANADA: CSN03 FOR AL CSN03C FOR CU
EQUIPMENT GROUNDING KIT	600V & 240V	GTK03 FOR AL GTK03C FOR CU
TOUCH UP PAINT	600V & 240V	PK49SP
LOCK OFF/ON	600V & 240V	LOGK1
COPPER LUGS	600V & 240V	CLO306F

SWITCH RATING (A)	FUSE OR CIRCUIT BREAKER TYPE	240 VAC	480 VAC	600 VAC	250VDC
WITH UPSTREAM FUSE PROTECTION					
ALL	H,K	10 kA	10 kA	10 kA	UP TO 10KA
	R, T, J, L	200 kA	200 kA	200 kA	
WITH UPSTREAM FUSE PROTECTION					
ALL	ANY BRAND CIRCUIT BREAKER	10 kA	10 kA	10 kA	UP TO 10KA
30A	POWERPACT HD	25 kA	18 kA	14 kA	UP TO 10KA
30A	POWERPACT HG	65 kA	35 kA	18 kA	UP TO 10KA
30A	POWERPACT HJ	65 kA	35 kA	25 kA	UP TO 10KA
30A	POWERPACT HL	65 kA	35 kA	35 kA	UP TO 10KA
30A	POWERPACT HR	65 kA	35 kA	35 kA	UP TO 10KA
30A	FA	14 kA	14 kA	14 kA	UP TO 10KA
30A	FH	18 kA	18 kA	18 kA	UP TO 10KA

SWITCH RATING (A)	FUSE OR CIRCUIT BREAKER TYPE	240VAC	480VAC	600Y/347 VAC	250VDC
WITH UPSTREAM CIRCUIT BREAKER PROTECTION					
30A	POWERPACT BD	25 kA	18 kA	14 kA	UP TO 10KA
30A	POWERPACT BG	65 kA	35 kA	18 kA	UP TO 10KA
30A	POWERPACT BJ & BK	65 kA	35 kA	25 kA	UP TO 10KA

HEAVY DUTY SAFETY SWITCH
VISIBLE BLADE TYPE
30 AMPERE
ENCLOSURE – NEMA TYPE 12



DWG# VHU361AWKGL PG 3
NO.