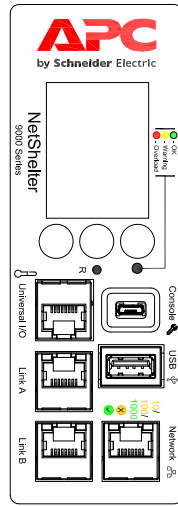
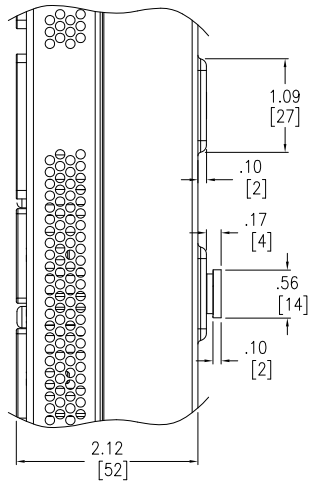


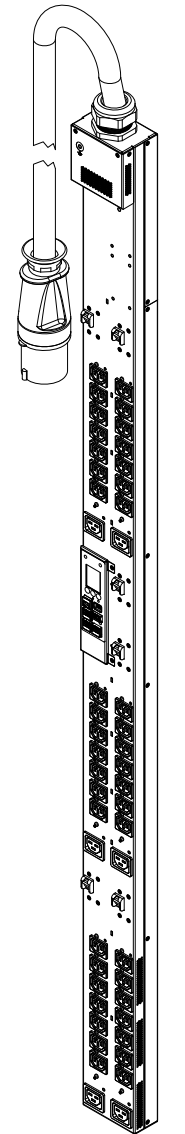
DETAIL-A  
(IEC309, 60A PLUG)



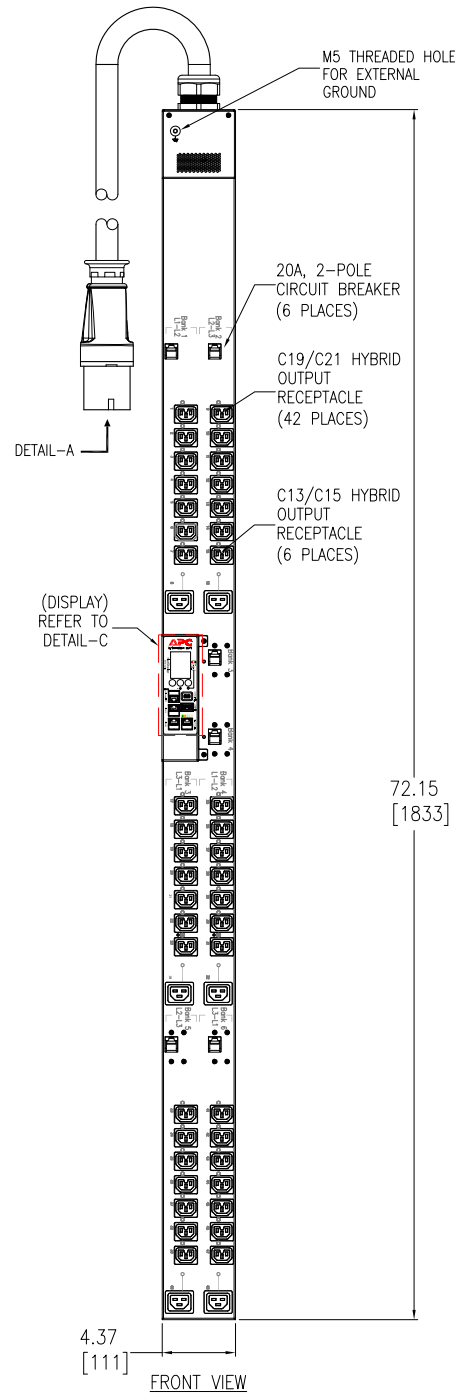
DETAIL-C (DISPLAY)



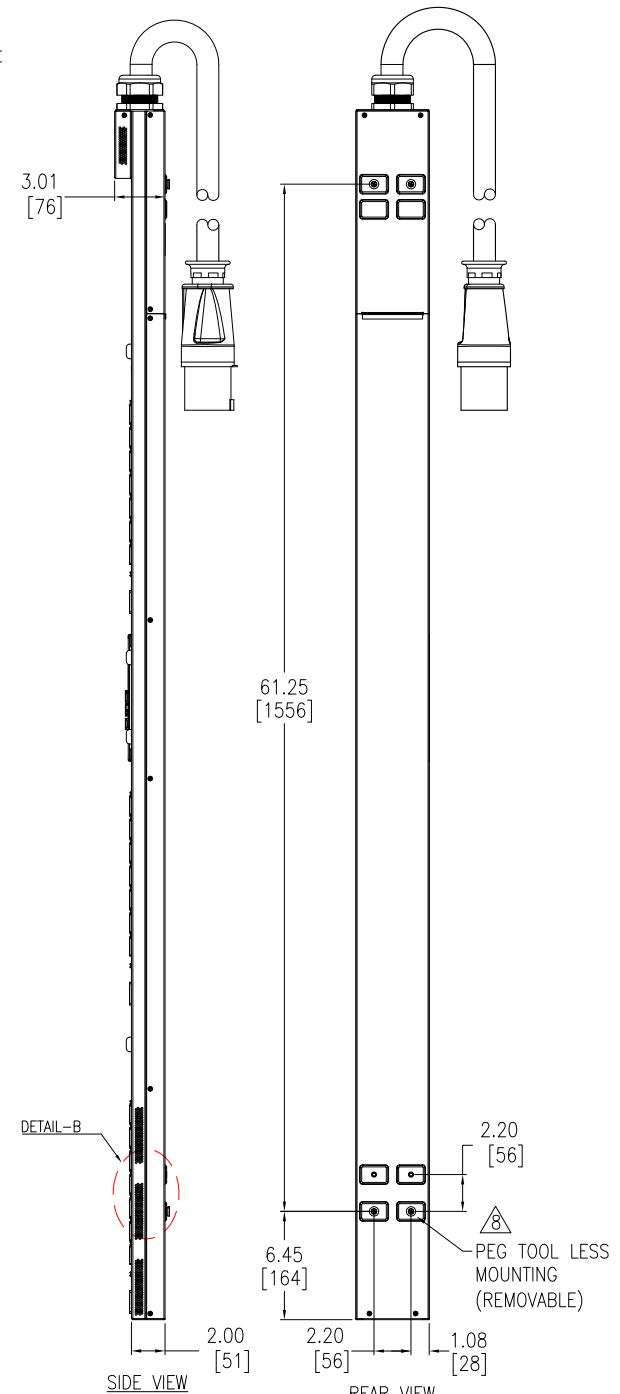
DETAIL-B



ISOMETRIC VIEW



FRONT VIEW



SIDE VIEW

REAR VIEW

**NOTES:**

1. INSTALLATION SHALL COMPLY WITH ALL APPLICABLE NATIONAL, STATE AND LOCAL CODES.
  2. REFER TO PRODUCT DOCUMENTATION FOR ADDITIONAL DETAILS PRIOR TO INSTALLATION AND SITE PREPARATION WORK
  3. UNLESS OTHERWISE SPECIFIED, ALL DIMENSIONS ARE IN INCHES[MILLIMETERS].
  4. NET WEIGHT OF UNIT IS 32.0 lb [14.52kg].
  5. LENGTH OF THE CORD IS 72 INCHES [1830mm].
  6. UNIVERSAL MOUNTING BRACKET IS AN ALTERNATIVE MOUNTING METHOD TO THE TOOLLESS MOUNT FOR 3RD PARTY ENCLOSURES. BRACKET IS PROVIDED WITH THE UNIT. DETAILED INSTALLATION INSTRUCTIONS CAN BE FOUND IN THE PROVIDED MANUAL.
  7. BRACKET KITS TO MOUNT TO SPECIFIC 3RD PARTY ENCLOSURES ARE AVAILABLE AS OPTIONS.
- △8. REFER TO WARNING LABEL ON REAR OF UNIT FOR SCREW MOUNTING.

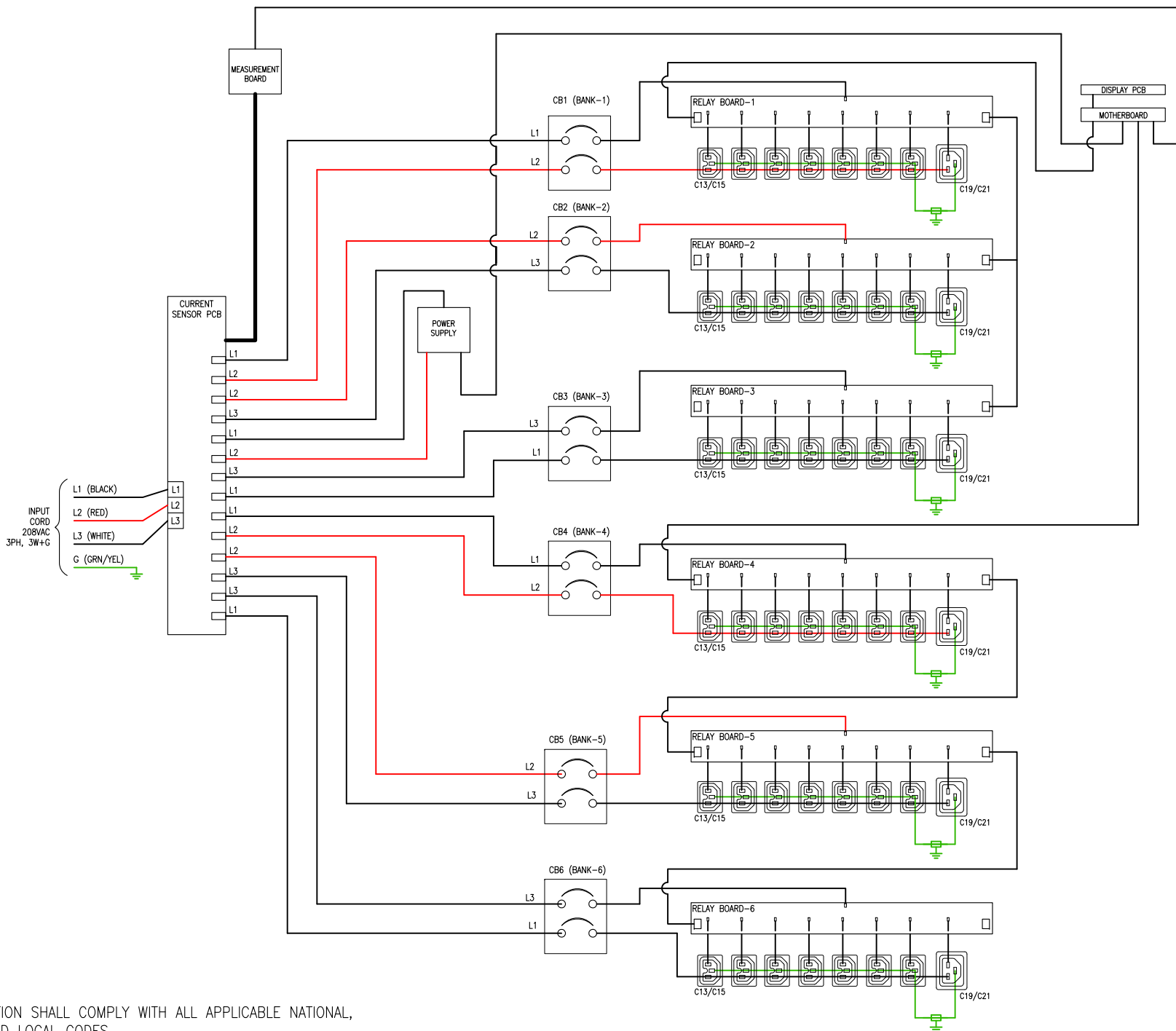
THIS DRAWING AND SPECIFICATIONS HEREIN ARE THE PROPERTY OF SCHNEIDER ELECTRIC AND SHALL NOT BE COPIED, REPRODUCED OR USED IN WHOLE OR IN PART, AS THE BASIS FOR THE MANUFACTURE OR SALE OF ITEMS WITHOUT WRITTEN PERMISSION FROM SCHNEIDER ELECTRIC. THIS DRAWING IS BASED UPON LATEST AVAILABLE INFORMATION AND IS SUBJECT TO CHANGE WITHOUT NOTICE.



TITLE: APC NetShelter RACK PDU, 9000  
SWITCHED, ZERO U, 3PH, 17.2kW, 208V  
INPUT: IEC309, 60A  
OUTPUT: (42)C13/C15 HYBRID & (6)C19/C21 HYBRID  
GENERAL ARRANGEMENT

PROJECT: STD SUBMITTAL DRAWINGS SHEET 1 OF 2

DWG NO:	APDU9967	REV:	0
DRAWN BY:	JAYAPRAKASH	03-SEP-20	THIRD ANGLE PROJ
ENGINEER:	YUCHUN JIANG	06-OCT-20	
APPROVED BY:	WeiCheng CHENG	06-OCT-20	



**NOTES:**

1. INSTALLATION SHALL COMPLY WITH ALL APPLICABLE NATIONAL, STATE AND LOCAL CODES.
2. SEE PRODUCT DOCUMENTATION FOR FURTHER INFORMATION
3. THIS DRAWING DEPICTS THE POWER SYSTEM CONNECTIONS AND IS NOT REPRESENTATIVE OF THE PHYSICAL LAYOUT. PLEASE REFER TO MECHANICAL DRAWINGS FOR PHYSICAL LAYOUT..

THIS DRAWING AND SPECIFICATIONS HEREIN ARE THE PROPERTY OF SCHNEIDER ELECTRIC AND SHALL NOT BE COPIED, REPRODUCED OR USED IN WHOLE OR IN PART, AS THE BASIS FOR THE MANUFACTURE OR SALE OF ITEMS WITHOUT WRITTEN PERMISSION FROM SCHNEIDER ELECTRIC. THIS DRAWING IS BASED UPON LATEST AVAILABLE INFORMATION AND IS SUBJECT TO CHANGE WITHOUT NOTICE.



TITLE: APC NetShelter RACK PDU, 9000  
 SWITCHED, ZERO U, 3PH, 17.2kW, 208V  
 INPUT: IEC309, 60A  
 OUTPUT: (42)C13/C15 HYBRID & (6)C19/C21 HYBRID  
 SCHEMATIC DIAGRAM

PROJECT: STD SUBMITTAL DRAWINGS SHEET 2 OF 2

DWG NO: APDU9967

REV. 0  
 DRAWN BY: JAYAPRAKASH  
 ENGINEER: YUCHUN JIANG  
 APPROVED BY: WeiCheng CHENG

03-SEP-20  
 06-OCT-20  
 06-OCT-20  
 ANGLE  
 PROJECTION  
 N.A