

NOTES:

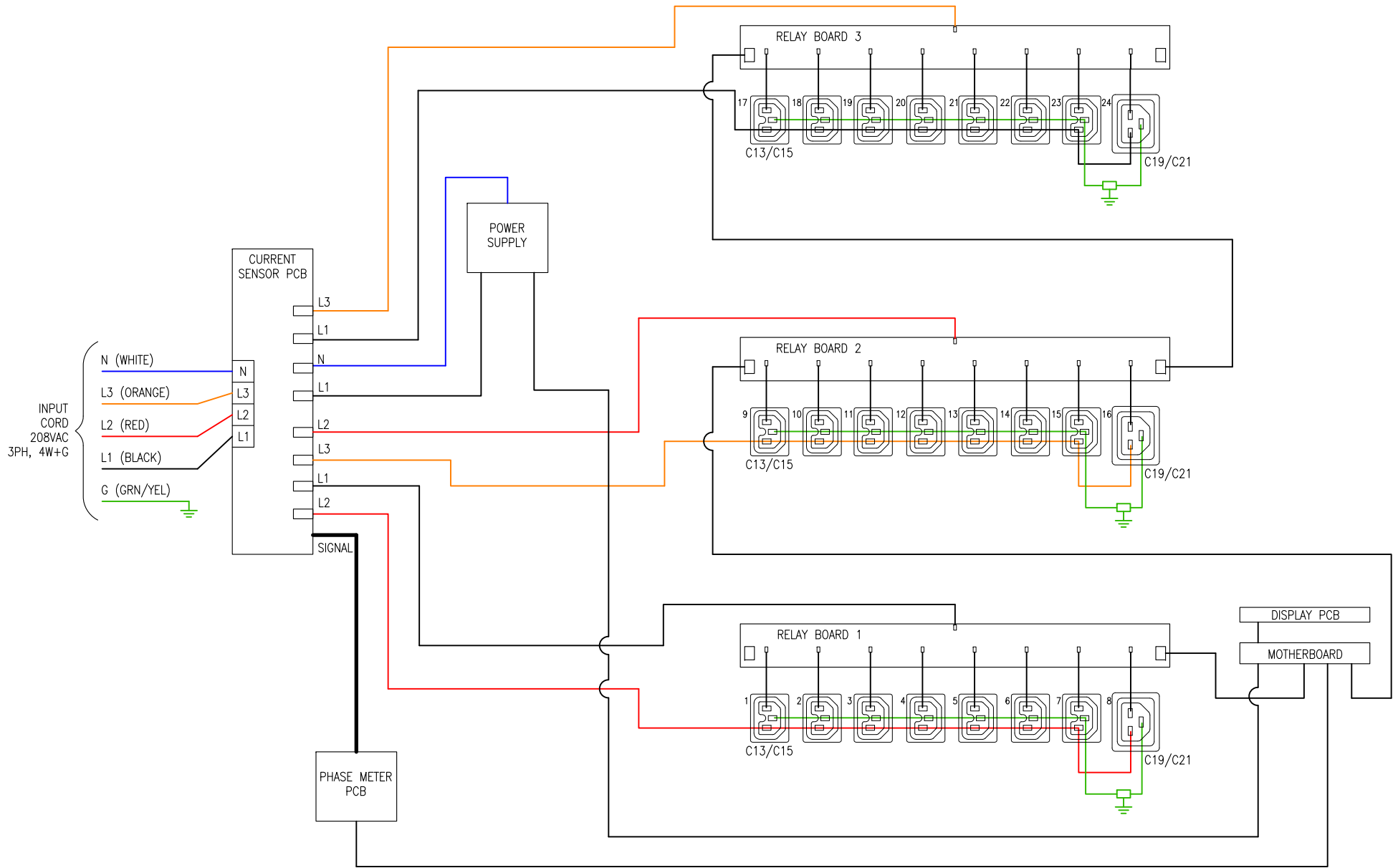
1. INSTALLATION SHALL COMPLY WITH ALL APPLICABLE NATIONAL, STATE AND LOCAL CODES.
 2. REFER TO PRODUCT DOCUMENTATION FOR ADDITIONAL DETAILS PRIOR TO INSTALLATION AND SITE PREPARATION WORK
 3. UNLESS OTHERWISE SPECIFIED, ALL DIMENSIONS ARE IN INCHES[MILLIMETERS].
 4. NET WEIGHT OF UNIT IS 16.8 lb [7.62 kg].
 5. LENGTH OF THE CORD IS 120 INCHES [3050mm].
 6. UNIVERSAL MOUNTING BRACKET IS AN ALTERNATIVE MOUNTING METHOD TO THE TOOLLESS MOUNT FOR 3RD PARTY ENCLOSURES. BRACKET IS PROVIDED WITH THE UNIT. DETAILED INSTALLATION INSTRUCTIONS CAN BE FOUND IN THE PROVIDED MANUAL.
 7. BRACKET KITS TO MOUNT TO SPECIFIC 3RD PARTY ENCLOSURES ARE AVAILABLE AS OPTIONS.
- △8. REFER TO WARNING LABEL ON REAR OF UNIT FOR SCREW MOUNTING.

THIS DRAWING AND SPECIFICATIONS HEREIN ARE THE PROPERTY OF SCHNEIDER ELECTRIC AND SHALL NOT BE COPIED, REPRODUCED OR USED IN WHOLE OR IN PART, AS THE BASIS FOR THE MANUFACTURE OR SALE OF ITEMS WITHOUT WRITTEN PERMISSION FROM SCHNEIDER ELECTRIC. THIS DRAWING IS BASED UPON LATEST AVAILABLE INFORMATION AND IS SUBJECT TO CHANGE WITHOUT NOTICE.



TITLE: APC NetShelter RACK PDU, 9000
 SWITCHED, ZERO U, 3PH, 5.7kW, 200/208V
 INPUT: NEMA L21-20P
 OUTPUT: (21) C13/C15 HYBRID & (3) C19/ C21 HYBRID
 GENERAL ARRANGEMENT
 PROJECT: STD SUBMITTAL DRAWINGS SHEET 1 OF 2

DWG NO: APDU9961 0
 DRAWN BY: JAYAPRAKASH 03-SEP-20
 ENGINEER: YUCHUN JIANG 06-OCT-20
 APPROVED BY: WeiCheng CHENG 06-OCT-20
 REV. THIRD ANGLE PROJ



NOTES:

1. INSTALLATION SHALL COMPLY WITH ALL APPLICABLE NATIONAL, STATE AND LOCAL CODES.
2. SEE PRODUCT DOCUMENTATION FOR FURTHER INFORMATION
3. THIS DRAWING DEPICTS THE POWER SYSTEM CONNECTIONS AND IS NOT REPRESENTATIVE OF THE PHYSICAL LAYOUT. PLEASE REFER TO MECHANICAL DRAWINGS FOR PHYSICAL LAYOUT.

THIS DRAWING AND SPECIFICATIONS HEREIN ARE THE PROPERTY OF SCHNEIDER ELECTRIC AND SHALL NOT BE COPIED, REPRODUCED OR USED IN WHOLE OR IN PART, AS THE BASIS FOR THE MANUFACTURE OR SALE OF ITEMS WITHOUT WRITTEN PERMISSION FROM SCHNEIDER ELECTRIC. THIS DRAWING IS BASED UPON LATEST AVAILABLE INFORMATION AND IS SUBJECT TO CHANGE WITHOUT NOTICE.



TITLE: APC NetShelter RACK PDU, 9000
 SWITCHED, ZERO U, 3PH, 5.7kW, 200/208V
 INPUT: NEMA L21-20P
 OUTPUT: (21) C13/C15 HYBRID & (3)C19/ C21 HYBRID
 SCHEMATIC DIAGRAM
 PROJECT: STD SUBMITTAL DRAWINGS SHEET 2 OF 2

DWG NO:	APDU9961	REV:	0
DRAWN BY:	JAYAPRAKASH	03-SEP-20	PROJ
ENGINEER:	YUCHUN JIANG	06-OCT-20	ANGLE
APPROVED BY:	WeiCheng CHENG	06-OCT-20	N.A.