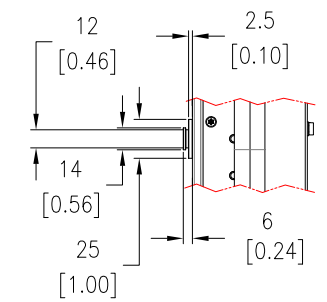
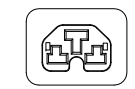


VIEW A
IEC 60309, 4P, 5W, 6H,
IP44 (SPLASH PROOF)
DUAL RATED: 30A(24A DERATED)/32A,
346-415V MAX, 3PH PLUG
ENLARGED VIEW



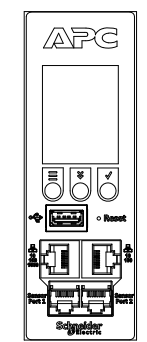
DETAIL B
PEG TOOL LESS MOUNTING
ENLARGED VIEW



C13/C15/C19/C21 RECEPTACLE
16A, 250V MAX
ENLARGED VIEW



C13/C15 RECEPTACLE
10A, 250V MAX
ENLARGED VIEW



DETAIL C
NMC - ENLARGED VIEW

NOTES:

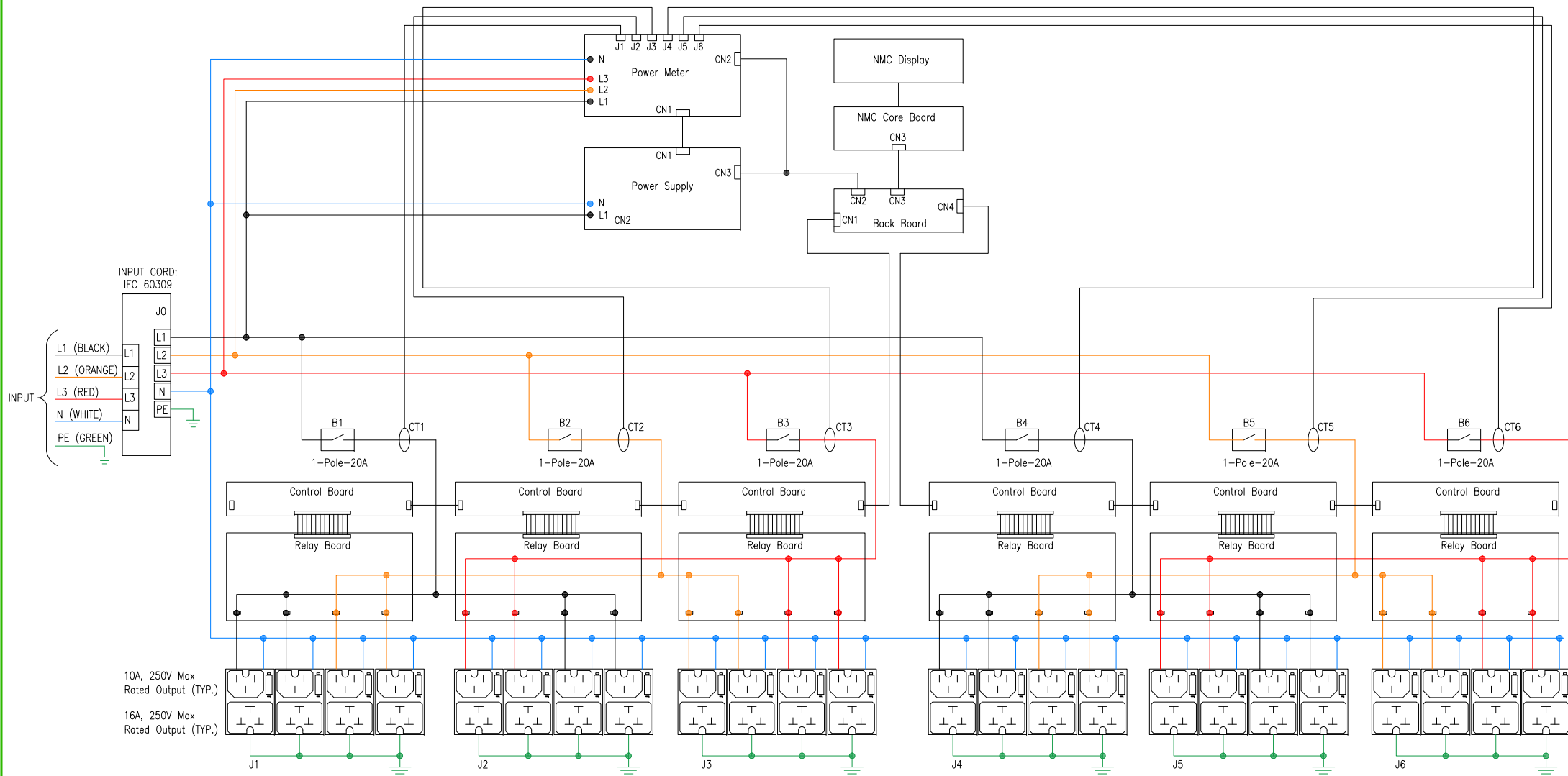
1. INSTALLATION SHALL COMPLY WITH ALL APPLICABLE NATIONAL, STATE AND LOCAL ELECTRICAL CODES.
2. REFER TO PRODUCT DOCUMENTATION FOR ADDITIONAL DETAILS PRIOR TO INSTALLATION AND PREPARATION WORK.
3. UNLESS OTHERWISE SPECIFIED, ALL DIMENSIONS ARE IN MILLIMETERS [INCHES].
4. NET WEIGHT OF UNIT IS 9.6kg [21.16 lb].
5. LENGTH OF THE CORD IS 1.8 Meters.

THIS DRAWING AND SPECIFICATIONS HEREIN ARE THE PROPERTY OF SCHNEIDER ELECTRIC AND SHALL NOT BE COPIED, REPRODUCED OR USED IN WHOLE OR IN PART, AS THE BASIS FOR THE MANUFACTURE OR SALE OF ITEMS WITHOUT WRITTEN PERMISSION FROM SCHNEIDER ELECTRIC. THIS DRAWING IS BASED UPON LATEST AVAILABLE INFORMATION AND IS SUBJECT TO CHANGE WITHOUT NOTICE.



TITLE: APC NetShelter Rack PDU Advanced Switched, 17.3kW, 3PH, 415V, 30A
INPUT: IEC60309 - 530P6
OUTPUT: (24)C13/C15 & (24)C13/C15/C19/C21
GENERAL ARRANGEMENT

DWG NO:	APDU10350SW	REV:	0
DRAWN:	RANJITHA	DATE:	22-DEC-21
ENGINEER:	Yuchun Jiang	DATE:	02-MAR-22
APPROVED:	Mark Reinders	DATE:	02-MAR-22
PROJECT:	SUBMITTAL DRAWING	SHEET:	1 OF 2
ANGLE:	FIRST	PROJECTION:	ANGLE



RATED POWER:	22kVA - EU / 17.3kVA - NAM (DUAL RATED)
INPUT:	400/415V, 30A (24A DERATED) / 32A, 3PH, 50/60Hz
OUTPUT:	C13/C15 Combo: 240V, 10A per Outlet C13/C15/C19/C21 Combo: 240V, 16A per Outlet
PERMISSIBLE VOLTAGE:	200-240V / 346-415V

- NOTES:**
1. INSTALLATION SHALL COMPLY WITH ALL APPLICABLE NATIONAL, STATE AND LOCAL ELECTRICAL CODES.
 2. REFER TO PRODUCT DOCUMENTATION FOR ADDITIONAL DETAILS PRIOR TO INSTALLATION AND PREPARATION WORK.
 3. THIS DRAWING DEPICTS THE POWER SYSTEM CONNECTIONS AND IS NOT REPRESENTATIVE OF THE PHYSICAL LAYOUT. PLEASE REFER TO MECHANICAL DRAWINGS FOR PHYSICAL LAYOUT.

THIS DRAWING AND SPECIFICATIONS HEREIN ARE THE PROPERTY OF SCHNEIDER ELECTRIC AND SHALL NOT BE COPIED, REPRODUCED OR USED IN WHOLE OR IN PART, AS THE BASIS FOR THE MANUFACTURE OR SALE OF ITEMS WITHOUT WRITTEN PERMISSION FROM SCHNEIDER ELECTRIC. THIS DRAWING IS BASED UPON LATEST AVAILABLE INFORMATION AND IS SUBJECT TO CHANGE WITHOUT NOTICE.



TITLE: APC NetShelter Rack PDU Advanced Switched, 17.3kW, 3PH, 415V, 30A
 INPUT: IEC60309 - 530P6
 OUTPUT: (24)C13/C15 & (24)C13/C15/C19/C21
 SCHEMATIC DIAGRAM

DWG NO: APDU10350SW REV: 0
 DRAWN: RANJITHA 22-DEC-21
 ENGINEER: Yuchun Jiang 02-MAR-22
 APPROVED: Mark Reinders 02-MAR-22

ANGLE PROJECTION: N.A.