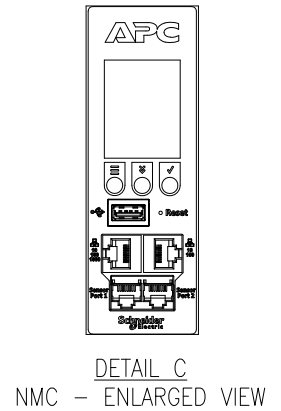
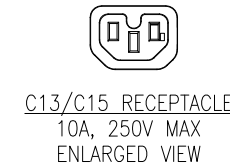
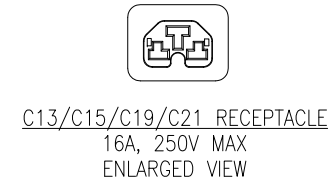


**DETAIL B**  
PEG TOOL LESS MOUNTING  
ENLARGED VIEW



**NOTES:**

1. INSTALLATION SHALL COMPLY WITH ALL APPLICABLE NATIONAL, STATE AND LOCAL ELECTRICAL CODES.
2. REFER TO PRODUCT DOCUMENTATION FOR ADDITIONAL DETAILS PRIOR TO INSTALLATION AND PREPARATION WORK.
3. UNLESS OTHERWISE SPECIFIED, ALL DIMENSIONS ARE IN MILLIMETERS [INCHES].
4. NET WEIGHT OF UNIT IS 8.4kg [18.52 lb].
5. LENGTH OF THE CORD IS 1.8 Meters.

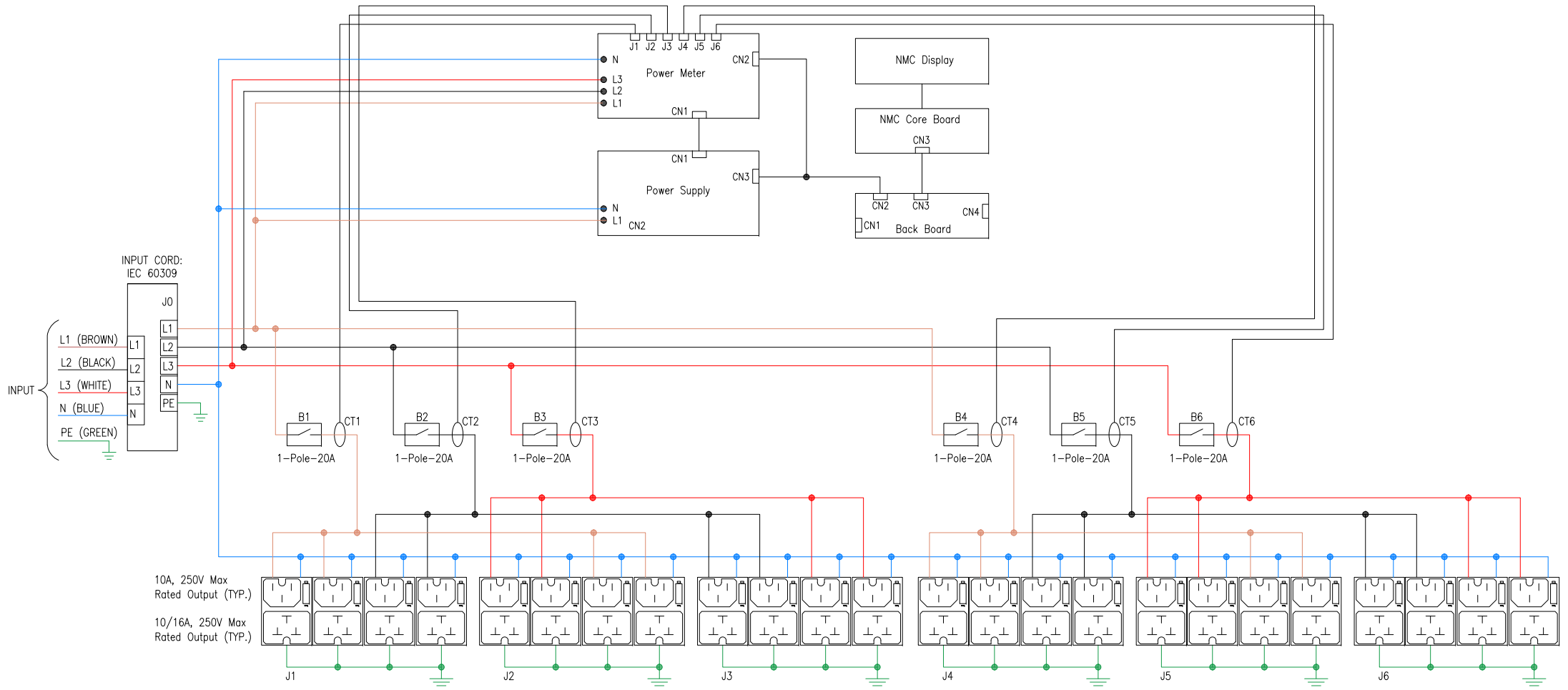
THIS DRAWING AND SPECIFICATIONS HEREIN ARE THE PROPERTY OF SCHNEIDER ELECTRIC AND SHALL NOT BE COPIED, REPRODUCED OR USED IN WHOLE OR IN PART, AS THE BASIS FOR THE MANUFACTURE OR SALE OF ITEMS WITHOUT WRITTEN PERMISSION FROM SCHNEIDER ELECTRIC. THIS DRAWING IS BASED UPON LATEST AVAILABLE INFORMATION AND IS SUBJECT TO CHANGE WITHOUT NOTICE.



TITLE: APC NetShelter Rack PDU Advanced Metered, 17.3kW, 3PH, 415V, 30A  
INPUT: IEC 60309 - 530P6  
OUTPUT: (24)C13/C15 & (24)C13/C15/C19/C21  
GENERAL ARRANGEMENT

DWG NO: APDU10350ME REV: 0

PROJECT: SUBMITTAL DRAWING	SHEET 1 OF 2	APPROVED: Mark Reinders	DATE: 02-MAR-22	ANGLE: FIRST ANGLE	PROJECTION: PROJECTION
DRAWN: RANJITHA		DATE: 21-DEC-21		FIRST ANGLE	
ENGINEER: Yuchun Jiang		DATE: 02-MAR-22		PROJECTION: PROJECTION	



10A, 250V Max  
Rated Output (TYP.)

10/16A, 250V Max  
Rated Output (TYP.)

RATED POWER:	22kVA - EU / 17.3kVA - NAM (DUAL RATED)
INPUT:	400/415V, 30A (24A DERATED) / 32A, 3PH, 50/60Hz
OUTPUT:	C13/C15 Combo: 240V, 10A per Outlet C13/C15/C19/C21 Combo: 240V, 16A per Outlet
PERMISSIBLE VOLTAGE:	200-240V / 346-415V

- NOTES:**
1. INSTALLATION SHALL COMPLY WITH ALL APPLICABLE NATIONAL, STATE AND LOCAL ELECTRICAL CODES.
  2. REFER TO PRODUCT DOCUMENTATION FOR ADDITIONAL DETAILS PRIOR TO INSTALLATION AND PREPARATION WORK.
  3. THIS DRAWING DEPICTS THE POWER SYSTEM CONNECTIONS AND IS NOT REPRESENTATIVE OF THE PHYSICAL LAYOUT. PLEASE REFER TO MECHANICAL DRAWINGS FOR PHYSICAL LAYOUT.

THIS DRAWING AND SPECIFICATIONS HEREIN ARE THE PROPERTY OF SCHNEIDER ELECTRIC AND SHALL NOT BE COPIED, REPRODUCED OR USED IN WHOLE OR IN PART, AS THE BASIS FOR THE MANUFACTURE OR SALE OF ITEMS WITHOUT WRITTEN PERMISSION FROM SCHNEIDER ELECTRIC. THIS DRAWING IS BASED UPON LATEST AVAILABLE INFORMATION AND IS SUBJECT TO CHANGE WITHOUT NOTICE.



TITLE: APC NetShelter Rack PDU Advanced Metered, 17.3kW, 3PH, 415V, 30A  
 INPUT: IEC 60309 - 530P6  
 OUTPUT: (24)C13/C15 & (24)C13/C15/C19/C21  
 SCHEMATIC DIAGRAM

DWG NO: APDU10350ME REV: 0

DRAWN:	RANJITHA	21-DEC-21	ANGLE PROJECTION
ENGINEER:	Yuchun Jiang	02-MAR-22	N.A.
APPROVED:	Mark Reinders	02-MAR-22	

PROJECT: SUBMITTAL DRAWING SHEET 2 OF 2