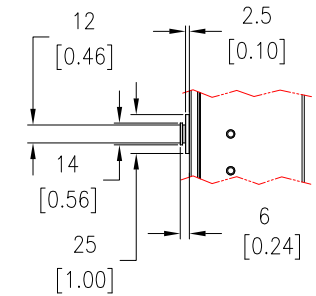
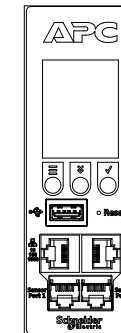


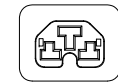
VIEW A
NEMA L6-30P, 2P, 3W
30A(24A DERATED),
250V MAX, 1PH PLUG
ENLARGED VIEW



DETAIL B
PEG TOOL LESS MOUNTING
ENLARGED VIEW



DETAIL C
NMC - ENLARGED VIEW



C13/C15/C19/C21 RECEPTACLE
16A, 250V MAX
ENLARGED VIEW



C13/C15 RECEPTACLE
10A, 250V MAX
ENLARGED VIEW

NOTES:

1. INSTALLATION SHALL COMPLY WITH ALL APPLICABLE NATIONAL, STATE AND LOCAL ELECTRICAL CODES.
2. REFER TO PRODUCT DOCUMENTATION FOR ADDITIONAL DETAILS PRIOR TO INSTALLATION AND PREPARATION WORK.
3. UNLESS OTHERWISE SPECIFIED, ALL DIMENSIONS ARE IN MILLIMETERS [INCHES].
4. NET WEIGHT OF UNIT IS 6.6kg [14.5 lb].
5. LENGTH OF THE CORD IS 3 Meters.

THIS DRAWING AND SPECIFICATIONS HEREIN ARE THE PROPERTY OF SCHNEIDER ELECTRIC AND SHALL NOT BE COPIED, REPRODUCED OR USED IN WHOLE OR IN PART, AS THE BASIS FOR THE MANUFACTURE OR SALE OF ITEMS WITHOUT WRITTEN PERMISSION FROM SCHNEIDER ELECTRIC. THIS DRAWING IS BASED UPON LATEST AVAILABLE INFORMATION AND IS SUBJECT TO CHANGE WITHOUT NOTICE.

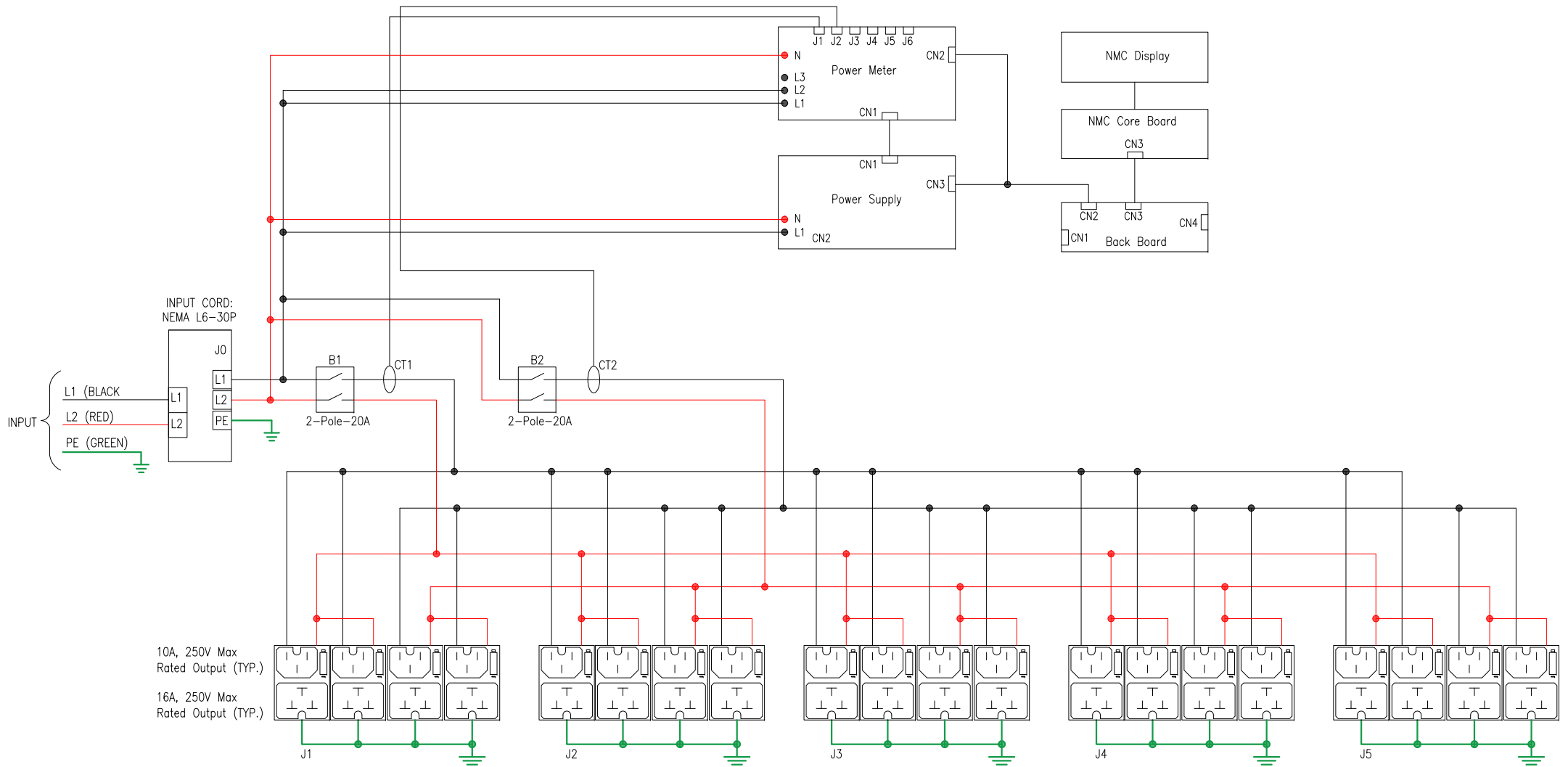


TITLE: APC NetShelter Rack PDU Advanced Metered, 5.0kW, 1PH, 208V, 30A
INPUT: NEMA L6-30P
OUTPUT: (20)C13/C15 & (20)C13/C15/C19/C21
GENERAL ARRANGEMENT

DWG NO: APDU10151ME REV. 0

DRAWN: RANJITHA	20-DEC-21	FIRST ANGLE PROJECTION
ENGINEER: Yuchun Jiang	02-MAR-22	
APPROVED: Mark Reinders	02-MAR-22	

PROJECT: SUBMITTAL DRAWING SHEET 1 OF 2



INPUT CORD:
NEMA L6-30P

10A, 250V Max
Rated Output (TYP.)

16A, 250V Max
Rated Output (TYP.)

RATED POWER:	5kVA
INPUT:	208V, 30A (24A DERATED), 1PH, 50/60Hz
OUTPUT:	C13/C15 Combo: 208V, 10A per Outlet C13/C15/C19/C21 Combo: 208V, 16A per Outlet
PERMISSIBLE VOLTAGE:	200-240V

NOTES:

1. INSTALLATION SHALL COMPLY WITH ALL APPLICABLE NATIONAL, STATE AND LOCAL ELECTRICAL CODES.
2. REFER TO PRODUCT DOCUMENTATION FOR ADDITIONAL DETAILS PRIOR TO INSTALLATION AND PREPARATION WORK.
3. THIS DRAWING DEPICTS THE POWER SYSTEM CONNECTIONS AND IS NOT REPRESENTATIVE OF THE PHYSICAL LAYOUT. PLEASE REFER TO MECHANICAL DRAWINGS FOR PHYSICAL LAYOUT.

THIS DRAWING AND SPECIFICATIONS HEREIN ARE THE PROPERTY OF SCHNEIDER ELECTRIC AND SHALL NOT BE COPIED, REPRODUCED OR USED IN WHOLE OR IN PART, AS THE BASIS FOR THE MANUFACTURE OR SALE OF ITEMS WITHOUT WRITTEN PERMISSION FROM SCHNEIDER ELECTRIC. THIS DRAWING IS BASED UPON LATEST AVAILABLE INFORMATION AND IS SUBJECT TO CHANGE WITHOUT NOTICE.



TITLE: APC NetShelter Rack PDU Advanced Metered, 5.0kW, 1PH, 208V, 30A INPUT: NEMA L6-30P OUTPUT: (20)C13/C15 & (20)C13/C15/C19/C21 SCHEMATIC DIAGRAM	DWG NO: APDU10151ME	REV: 0
PROJECT: SUBMITTAL DRAWING SHEET 2 OF 2	DRAWN: RANJITHA ENGINEER: Yuchun Jiang APPROVED: Mark Reinders	20-DEC-21 02-MAR-22 02-MAR-22
		ANGLE PROJECTION N.A.