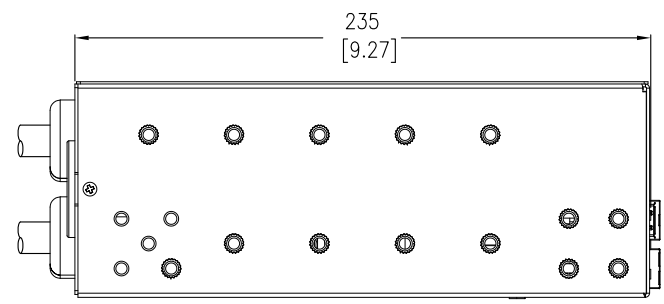
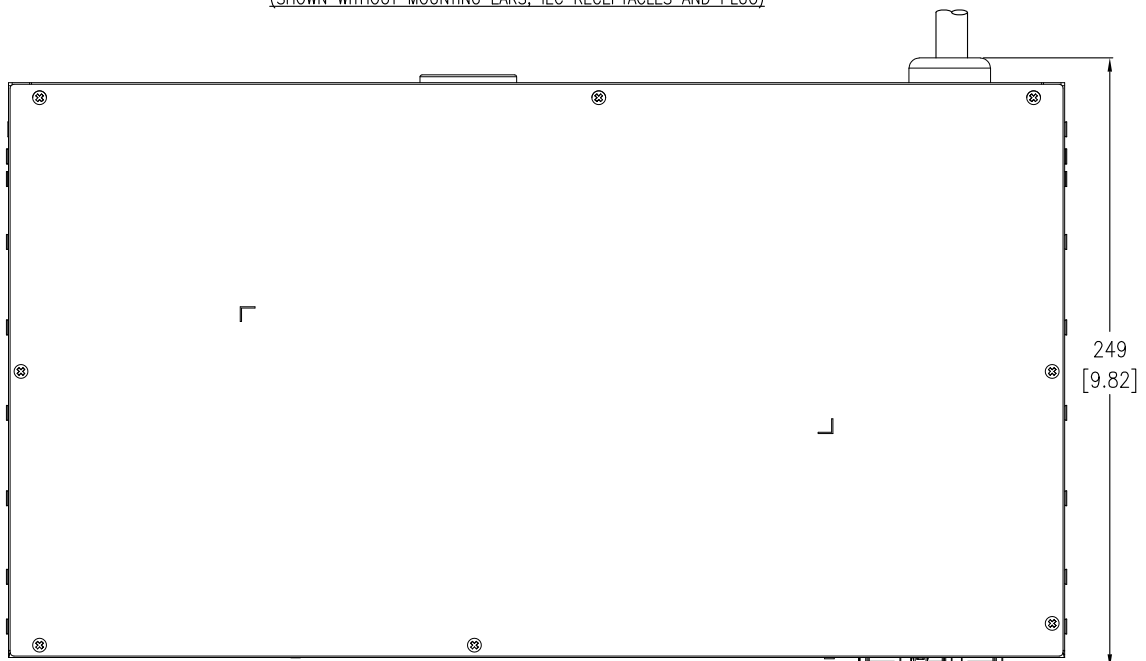


FRONT VIEW

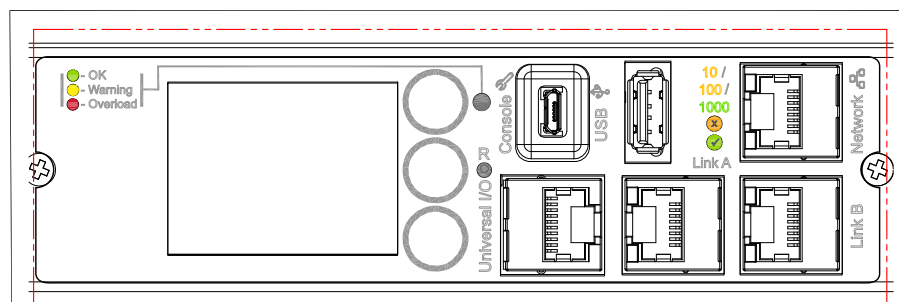
(SHOWN WITHOUT MOUNTING EARS, IEC RECEPTACLES AND PLUG)



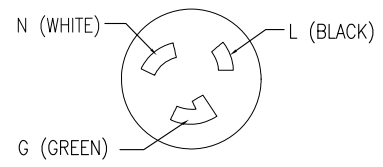
LEFT SIDE VIEW



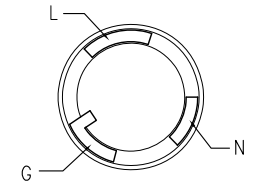
TOP VIEW



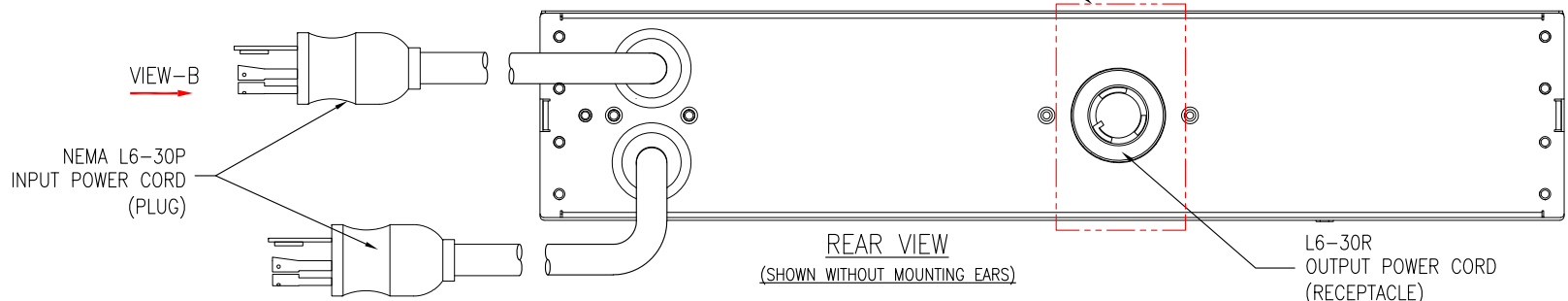
VIEW-A
(ENLARGED VIEW)



VIEW-B
NEMA L6-30P PLUG
(ENLARGED VIEW)



VIEW-C
NEMA L6-30R RECEPTACLE
(ENLARGED VIEW)



REAR VIEW
(SHOWN WITHOUT MOUNTING EARS)

- NOTES:
1. INSTALLATION SHALL COMPLY WITH ALL APPLICABLE NATIONAL, STATE AND LOCAL ELECTRICAL REGULATIONS.
 2. REFER TO PRODUCT DOCUMENTATION FOR ADDITIONAL DETAILS PRIOR TO INSTALLATION AND SITE PREPARATION WORK.
 3. ALL DIMENSIONS ARE IN MILLIMETERS [INCHES].
 4. NET WEIGHT OF THE UNIT IS 6.5 kg [14.3 lb].
 5. LENGTH OF INPUT CORD IS 2438 mm [96 INCHES].

THIS DRAWING AND SPECIFICATIONS HEREIN ARE THE PROPERTY OF SCHNEIDER ELECTRIC AND SHALL NOT BE COPIED, REPRODUCED OR USED IN WHOLE OR IN PART, AS THE BASIS FOR THE MANUFACTURE OR SALE OF ITEMS WITHOUT WRITTEN PERMISSION FROM SCHNEIDER ELECTRIC. THIS DRAWING IS BASED UPON LATEST AVAILABLE INFORMATION AND IS SUBJECT TO CHANGE WITHOUT NOTICE.



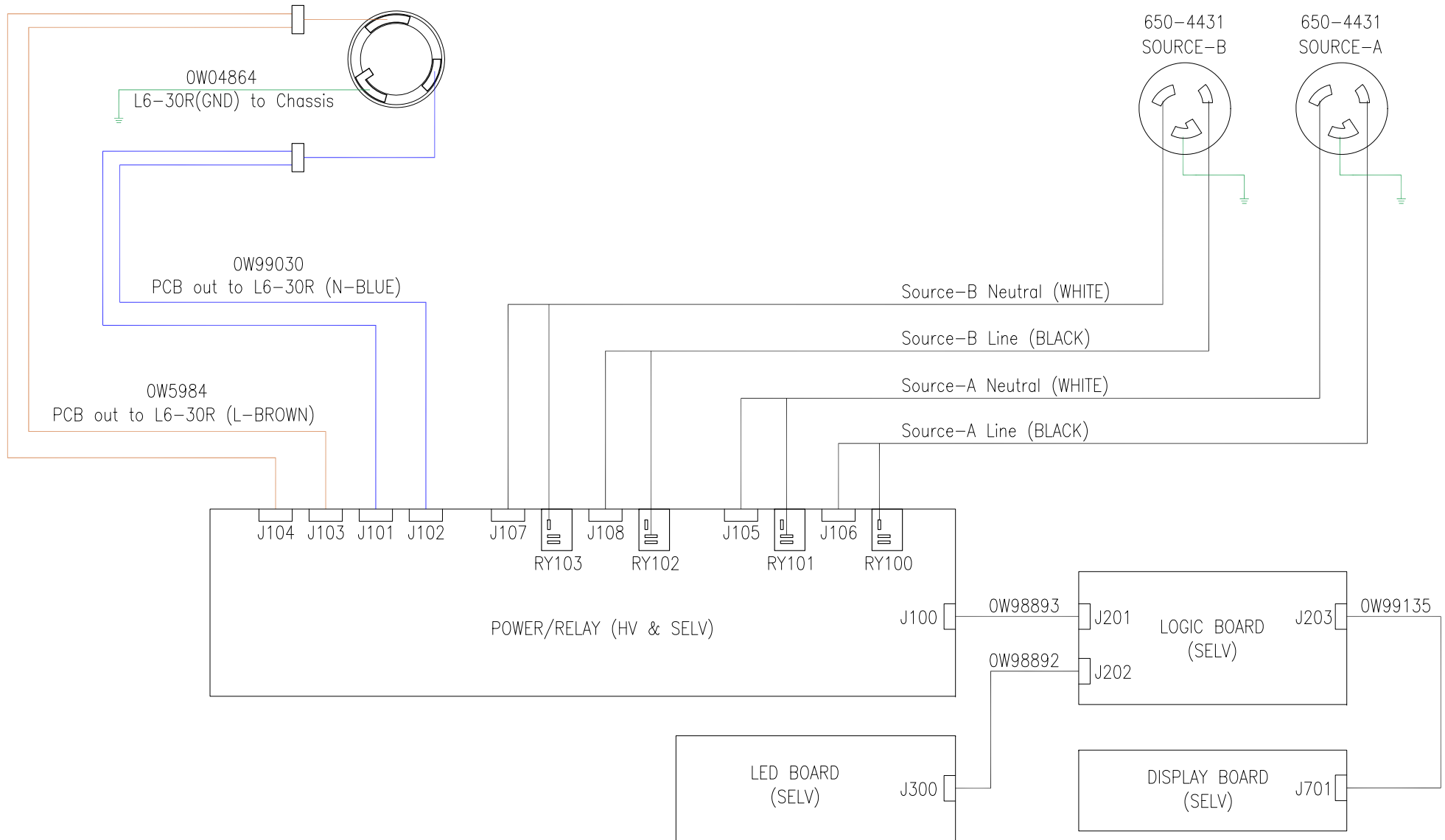
TITLE: RACK ATS
30A, 208V
INPUT: (2)NEMA L6-30P
OUTPUT: (1)NEMA L6-30R
GENERAL ARRANGEMENT

PROJECT: SUBMITTAL DRAWINGS SHEET 1 OF 2

DWG NO: AP4431A
REV. 1

DRAWN: RANJITHA 23-JUN-22 FIRST ANGLE PROJECTION
ENGINEER: PETE FISCHER 07-SEP-22
APPROVED: JONATHAN R 07-SEP-22

NOTE: OUTLET RECEPTACLE AND INPUT PLUGS ARE VIEWED FROM OUTSIDE OF THE UNIT.



- NOTES:
1. INSTALLATION SHALL COMPLY WITH ALL APPLICABLE NATIONAL, STATE AND LOCAL ELECTRICAL REGULATIONS.
 2. REFER TO PRODUCT DOCUMENTATION FOR ADDITIONAL DETAILS PRIOR TO INSTALLATION AND SITE PREPARATION WORK.
 3. THIS DRAWING DEPICTS THE POWER SYSTEM CONNECTIONS AND IS NOT REPRESENTATIVE OF THE PHYSICAL LAYOUT. PLEASE REFER TO MECHANICAL DRAWINGS FOR PHYSICAL LAYOUT.

THIS DRAWING AND SPECIFICATIONS HEREIN ARE THE PROPERTY OF SCHNEIDER ELECTRIC AND SHALL NOT BE COPIED, REPRODUCED OR USED IN WHOLE OR IN PART, AS THE BASIS FOR THE MANUFACTURE OR SALE OF ITEMS WITHOUT WRITTEN PERMISSION FROM SCHNEIDER ELECTRIC. THIS DRAWING IS BASED UPON LATEST AVAILABLE INFORMATION AND IS SUBJECT TO CHANGE WITHOUT NOTICE.



TITLE: RACK ATS
30A, 208V
INPUT: (2) NEMA L6-30P
OUTPUT: (1) NEMA L6-30R
ELECTRICAL SCHEMATIC

PROJECT: SUBMITTAL DRAWINGS SHEET 2 OF 2

DWG NO: AP4431A

DRAWN: RANJITHA	23-JUN-22
ENGINEER: PETE FISCHER	07-SEP-22
APPROVED: JONATHAN R	07-SEP-22

REV: 0

FIRST ANGLE PROJECTION