

- NOTES:**
1. INSTALLATION SHALL COMPLY WITH ALL APPLICABLE NATIONAL, STATE AND LOCAL ELECTRICAL REGULATIONS.
 2. REFER TO PRODUCT DOCUMENTATION FOR ADDITIONAL DETAILS PRIOR TO INSTALLATION AND SITE PREPARATION WORK.
 3. ALL DIMENSIONS ARE IN MILLIMETERS [INCHES].
 4. NET WEIGHT OF THE UNIT IS 4.21 kg [9.26 lb].
 5. LENGTH OF INPUT AND OUTPUT CORD IS 2438 mm [96 INCHES].

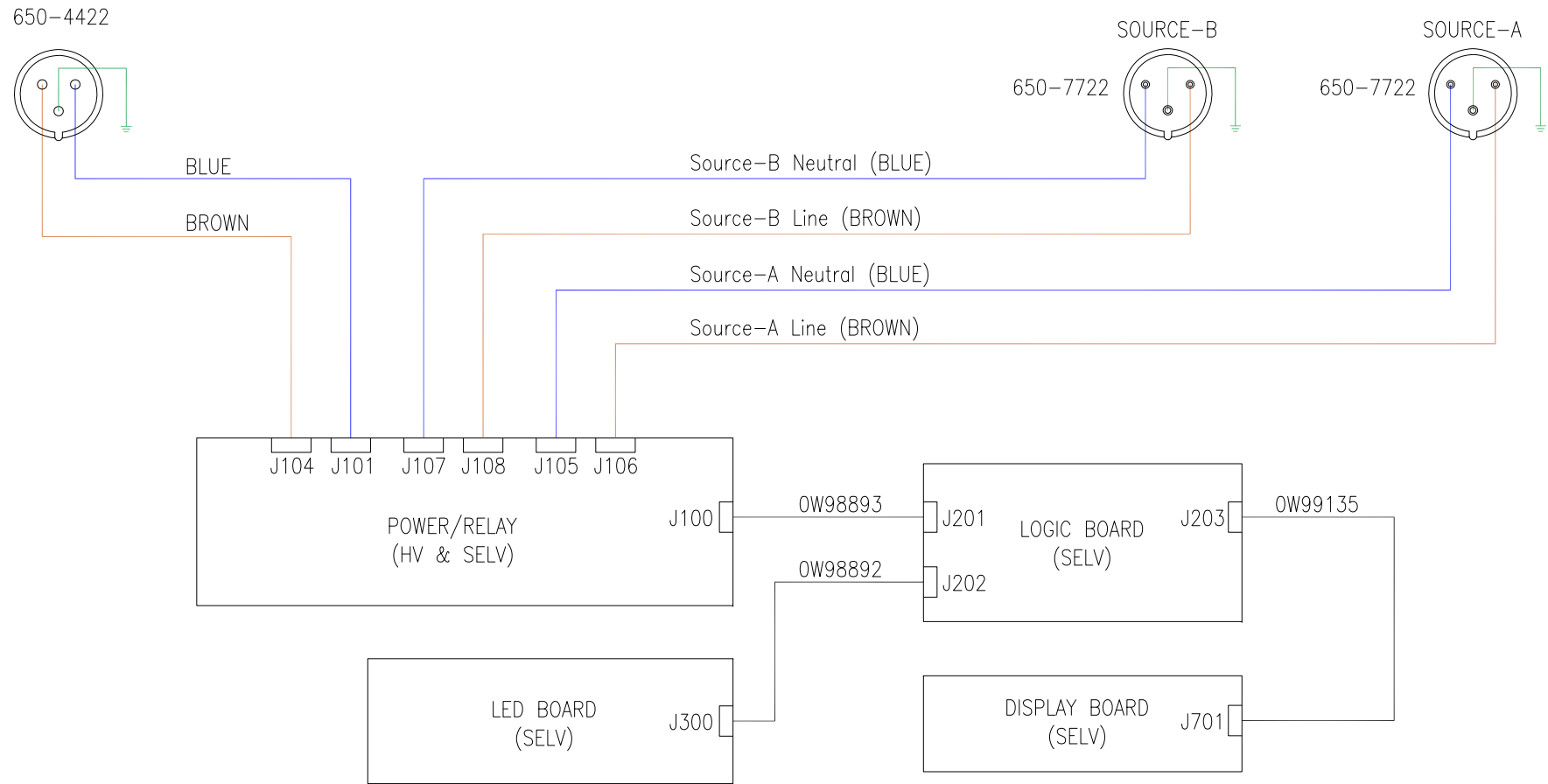
THIS DRAWING AND SPECIFICATIONS HEREIN ARE THE PROPERTY OF SCHNEIDER ELECTRIC AND SHALL NOT BE COPIED, REPRODUCED OR USED IN WHOLE OR IN PART, AS THE BASIS FOR THE MANUFACTURE OR SALE OF ITEMS WITHOUT WRITTEN PERMISSION FROM SCHNEIDER ELECTRIC. THIS DRAWING IS BASED UPON LATEST AVAILABLE INFORMATION AND IS SUBJECT TO CHANGE WITHOUT NOTICE.



TITLE: RACK ATS
 16A, 230V
 INPUT: (2)IEC 309, 16A, 2P+E
 OUTPUT: (1)IEC 309, 16A, 2P+E
 GENERAL ARRANGEMENT
PROJECT: SUBMITTAL DRAWINGS **SHEET 1 OF 2**

DWG NO: AP4422A **REV:** 1
DRAWN: RANJITHA 16-JUN-22 **FIRST ANGLE PROJECTION**
ENGINEER: PETE FISCHER 07-SEP-22
APPROVED: JONATHAN R 07-SEP-22

NOTE: INPUT PLUGS AND OUTPUT RECEPTACLE ARE VIEWED FROM OUTSIDE OF THE UNIT.



- NOTES:
1. INSTALLATION SHALL COMPLY WITH ALL APPLICABLE NATIONAL, STATE AND LOCAL ELECTRICAL REGULATIONS.
 2. REFER TO PRODUCT DOCUMENTATION FOR ADDITIONAL DETAILS PRIOR TO INSTALLATION AND SITE PREPARATION WORK.
 3. THIS DRAWING DEPICTS THE POWER SYSTEM CONNECTIONS AND IS NOT REPRESENTATIVE OF THE PHYSICAL LAYOUT. PLEASE REFER TO MECHANICAL DRAWINGS FOR PHYSICAL LAYOUT.

THIS DRAWING AND SPECIFICATIONS HEREIN ARE THE PROPERTY OF SCHNEIDER ELECTRIC AND SHALL NOT BE COPIED, REPRODUCED OR USED IN WHOLE OR IN PART, AS THE BASIS FOR THE MANUFACTURE OR SALE OF ITEMS WITHOUT WRITTEN PERMISSION FROM SCHNEIDER ELECTRIC. THIS DRAWING IS BASED UPON LATEST AVAILABLE INFORMATION AND IS SUBJECT TO CHANGE WITHOUT NOTICE.



TITLE: RACK ATS
16A, 230V
INPUT: (2)IEC 309, 16A, 2P+E
OUTPUT: (1)IEC 309, 16A, 2P+E
ELECTRICAL SCHEMATIC
PROJECT: SUBMITTAL DRAWINGS SHEET 2 OF 2

DWG NO:	AP4422A	REV:	0
DRAWN:	RANJITHA	16-JUN-22	FIRST ANGLE PROJECTION
ENGINEER:	PETE FISCHER	07-SEP-22	
APPROVED:	JONATHAN R	07-SEP-22	