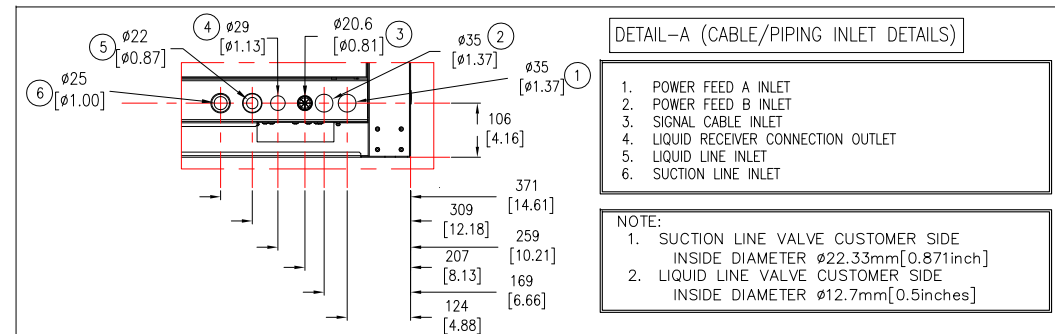


REFER TO DRAWING "ACAC75017-10049-FLOODED_RECEIVER_20L_PED_WINTER ACCESSORIES", FOR BELOW OPTIONS.
 ACAC75017-----Flooded Receiver, 20L, 219mm diameter, 640mm length, PED with 200w heater
 ACAC1049-----Winter Accessory Kit - Heaters, Brackets, Wiring
 TO USE WITH ACCU302D.

NOTES:

1. INSTALLATION SHALL COMPLY WITH ALL APPLICABLE NATIONAL, STATE AND LOCAL ELECTRICAL STANDARDS.
2. REFER TO PRODUCT DOCUMENTATION FOR ADDITIONAL DETAILS PRIOR TO INSTALLATION AND SITE PREPARATION WORK.
3. ALL DIMENSIONS ARE IN MILLIMETERS [INCHES].
- △ 4. A MINIMUM OF 1000 [39] OF CLEAR SPACE ON ALL SIDES OF UNIT RECOMMENDED FOR SERVICE ACCESS.
FOR PROPER AIRFLOW IT IS RECOMMENDED AT LEAST 3000[118]
5. POWER/SIGNAL CABLES/PIPE ENTRY FROM LOWER FRONT OF UNIT AS IN DETAIL-A.
6. FOR FACILITY PLANNING DATA, PERFORMANCE SPECIFICATIONS AND LIMIT WORKING CONDITIONS, REFER TO SHEET-2.
7. NET WEIGHT OF UNIT IS 278 kg [612.9 lb].
8. FLOOR LOADING DATA(CONCENTRATED STATIC LOAD): 2376 kg/m² [487 lb/ft²].
FLOOR CONTACT AREA OF UNIT : 0.117m² / 1.259 ft².
- △ 9. THIS INFORMATION PROVIDES APPROXIMATE CENTER OF GRAVITY CALCULATION.



- DETAIL-A (CABLE/PIPING INLET DETAILS)**
1. POWER FEED A INLET
 2. POWER FEED B INLET
 3. SIGNAL CABLE INLET
 4. LIQUID RECEIVER CONNECTION OUTLET
 5. LIQUID LINE INLET
 6. SUCTION LINE INLET

- NOTE:**
1. SUCTION LINE VALVE CUSTOMER SIDE
INSIDE DIAMETER ø22.33mm[0.871inch]
 2. LIQUID LINE VALVE CUSTOMER SIDE
INSIDE DIAMETER ø12.7mm[0.5inches]

THIS DRAWING AND SPECIFICATIONS HEREIN ARE THE PROPERTY OF SCHNEIDER ELECTRIC AND SHALL NOT BE COPIED, REPRODUCED OR USED IN WHOLE OR IN PART, AS THE BASIS FOR THE MANUFACTURE OR SALE OF ITEMS WITHOUT WRITTEN PERMISSION FROM SCHNEIDER ELECTRIC. THIS DRAWING IS BASED UPON LATEST AVAILABLE INFORMATION AND IS SUBJECT TO CHANGE WITHOUT NOTICE.

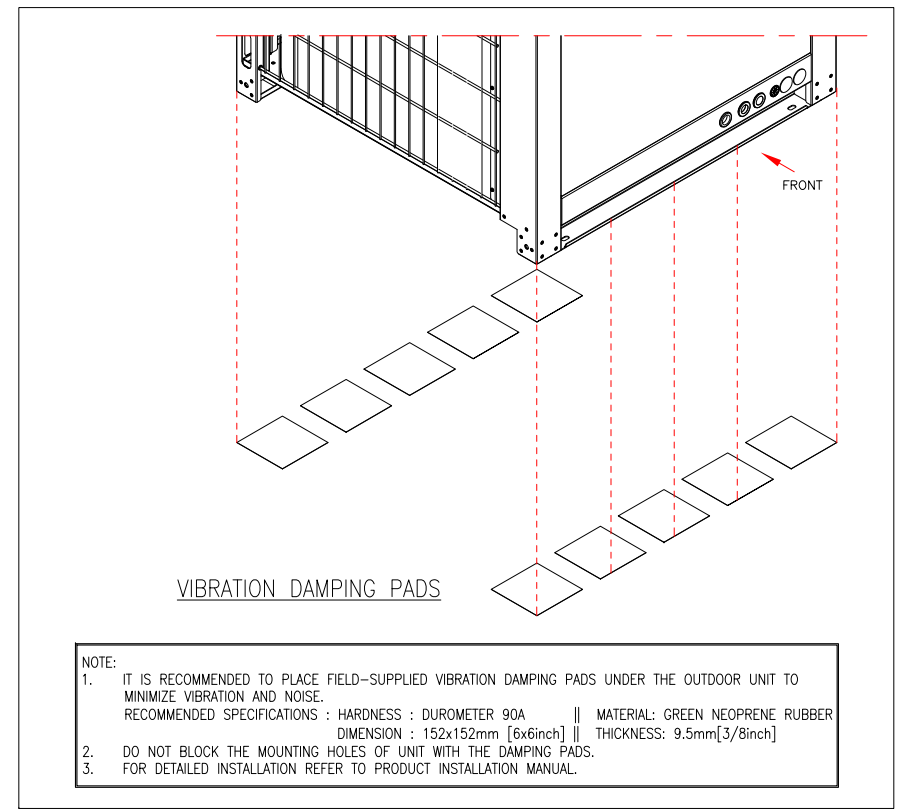
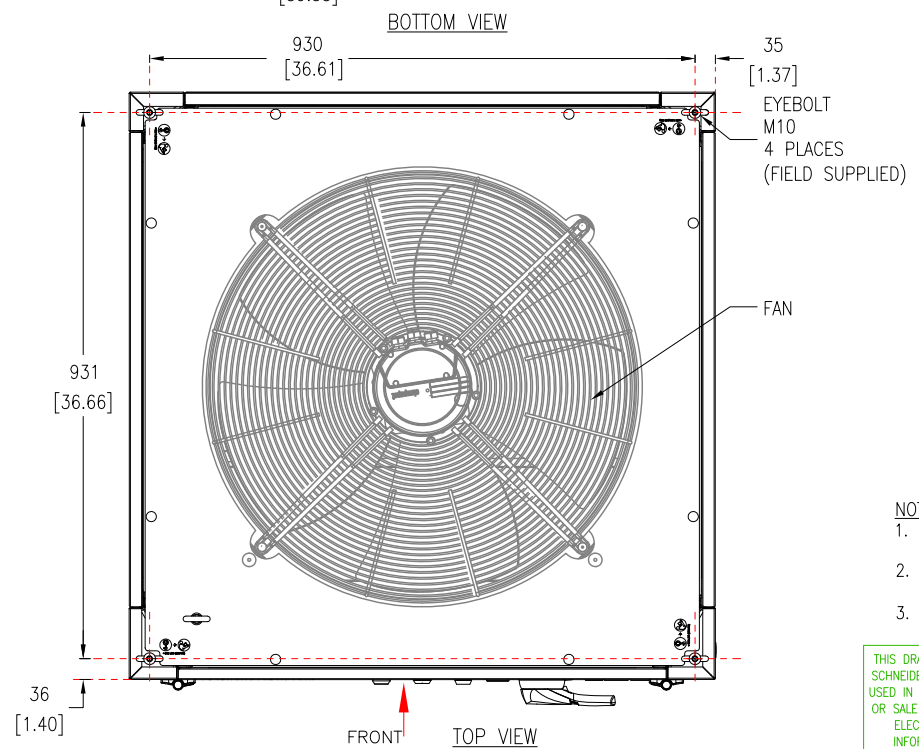
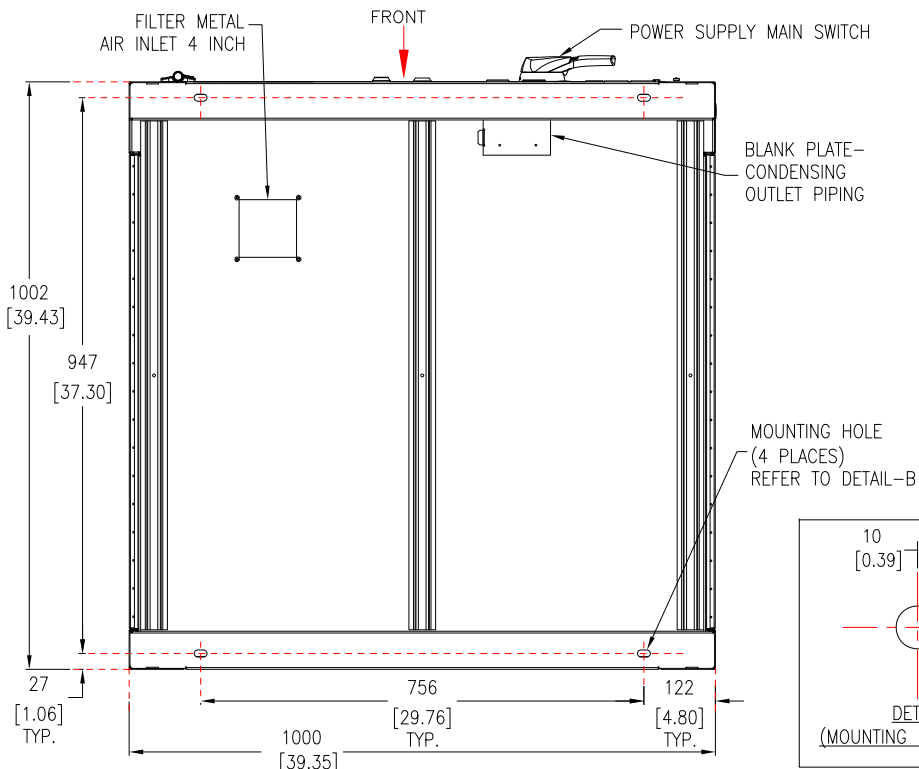


TITLE: InRow DIRECT EXPANSION CONDENSING UNIT
 3PH 400V 50/60HZ DUAL POWER CE GENERAL ARRANGEMENT

PROJECT: SUBMITTAL DRAWINGS SHEET 1 OF 3

DWG NO:	ACCU302D		REV:	0
DRAWN:	BALA	29-SEP-20	ENGINEER:	RAAM C/Hongwei Y
APPROVED:	RAAM C/Hongwei Y	3-NOV-20	PROJECT:	ACCU302D
		3-NOV-20	SHEET:	1 OF 3

FIRST ANGLE PROJECTION



LIMIT WORKING CONDITIONS:
 1. REFRIGERANT TYPE : R410A
 2. OPERATING OUTDOOR TEMPERATURE:
 -40°C TO +46°C (-40°F TO +115°F)
 3. ALTITUDE : 3000 METERS (9843 FEET).

PERFORMANCE SPECIFICATIONS		
OPERATING CONDITIONS	SENSIBLE NET CAPACITY kW (BTU/h)	ENERGY EFFICIENCY (W/W)
GB19413	16.3 (55600)	4.0 AEER
ASHRAE 127 CLASS3	25 (85300)	3.2 SCOP
MAXIMUM AT 35°C (95°F) RETURN AIR TEMPERATURE	27 (92100)	---
MAXIMUM AT 40°C (104°F) RETURN AIR TEMPERATURE	30 (102 400)	---

FACILITY PLANNING DATA	
ELECTRICAL INPUT	3 PH, 380-415 VAC 50/60Hz
POWER CONNECTION TYPE	HARDWIRED
MINIMUM CIRCUIT AMPACITY(MCA)	23.1
MAXIMUM OVERCURRENT PROTECTION (MOP)	40
POWER CONNECTION QUANTITY	2
FEATURES/OPTIONS	
FAN TYPE	ELECTRICALLY COMMUTATED
FAN CONTROL	RS485 Modbus RTU
NUMBER OF FANS	1
HOT SWAPPABLE FANS	NO
REFRIGERANT TYPE	R410A
COMPRESSOR TYPE	VARIABLE SPEED

- NOTES:**
- INSTALLATION SHALL COMPLY WITH ALL APPLICABLE NATIONAL, STATE AND LOCAL ELECTRICAL STANDARDS.
 - REFER TO PRODUCT DOCUMENTATION FOR ADDITIONAL DETAILS PRIOR TO INSTALLATION AND SITE PREPARATION WORK.
 - ALL DIMENSIONS ARE IN MILLIMETERS [INCHES].

THIS DRAWING AND SPECIFICATIONS HEREIN ARE THE PROPERTY OF SCHNEIDER ELECTRIC AND SHALL NOT BE COPIED, REPRODUCED OR USED IN WHOLE OR IN PART, AS THE BASIS FOR THE MANUFACTURE OR SALE OF ITEMS WITHOUT WRITTEN PERMISSION FROM SCHNEIDER ELECTRIC. THIS DRAWING IS BASED UPON LATEST AVAILABLE INFORMATION AND IS SUBJECT TO CHANGE WITHOUT NOTICE.

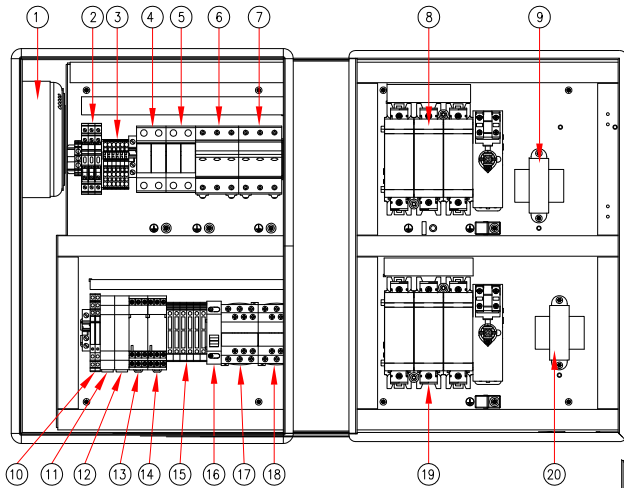
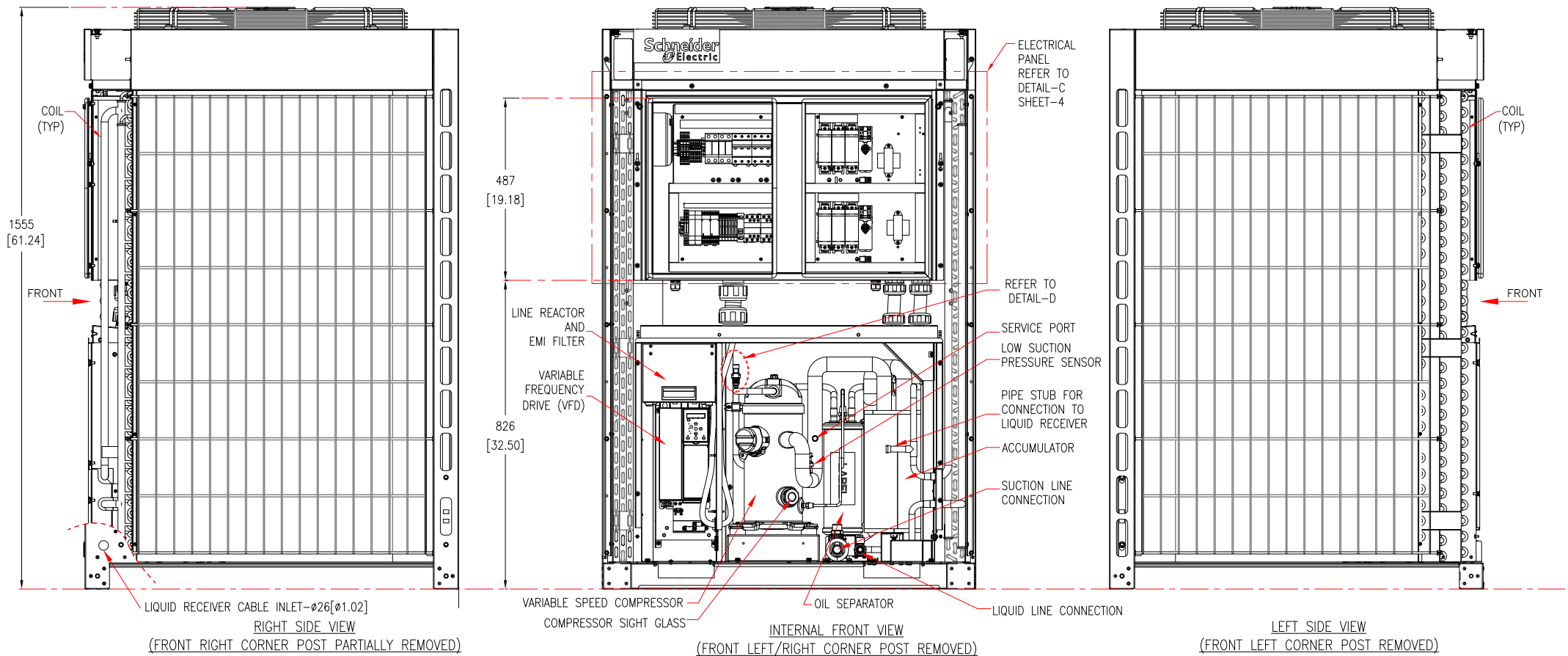


TITLE: InRow DIRECT EXPANSION CONDENSING UNIT
 3PH 400V 50/60Hz DUAL POWER CE
 TOP-BOTTOM VIEWS AND ANCHORING DETAILS

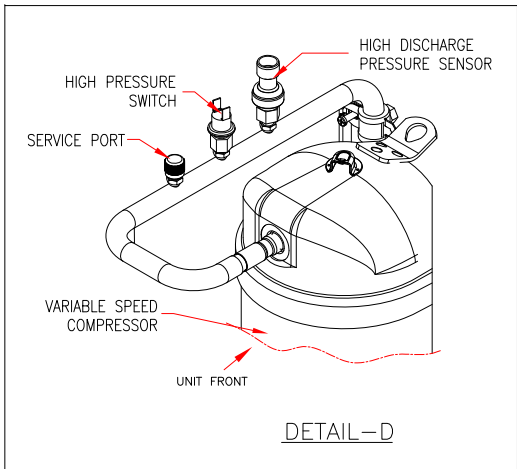
PROJECT: SUBMITTAL DRAWINGS **SHEET 2 OF 3**

DWG NO: ACCU302D **REV:** 0

DRAWN: BALA 29-SEP-20 **FIRST ANGLE PROJECTION**
ENGINEER: RAAM C/Hongwei Y 3-NOV-20
APPROVED: RAAM C/Hongwei Y 3-NOV-20



1. CRANK CASE HEATER POWER TRANSFORMER
2. LOW TEMPERATURE KIT FUSE BLOCK
3. TERMINAL BLOCK
4. CRANK CASE HEATER FUSE
5. CRANK CASE HEATER POWER TRANSFORMER FUSE
6. FAN MOTOR FUSE
7. COMPRESSOR VARIABLE-SPEED DRIVE FUSE
8. POWER SUPPLY "A" MAIN SWITCH
9. ATS SUPPLY "A" POWER TRANSFORMER
10. SUPPLY LINE SELECTOR RELAY
11. SUPPLY "A" LINE MONITOR
12. SUPPLY "B" LINE MONITOR
13. SUPPLY "A" CONTACTOR TIMER
14. SUPPLY "B" CONTACTOR TIMER
15. ATS CIRCUIT FUSE
16. SUPPLY LINE SELECTOR "A"/"B"
17. SUPPLY "A" CONTACTOR
18. SUPPLY "B" CONTACTOR
19. POWER SUPPLY "B" MAIN SWITCH
20. ATS SUPPLY "B" POWER TRANSFORMER



NOTES:

1. INSTALLATION SHALL COMPLY WITH ALL APPLICABLE NATIONAL, STATE AND LOCAL ELECTRICAL STANDARDS.
2. REFER TO PRODUCT DOCUMENTATION FOR ADDITIONAL DETAILS PRIOR TO INSTALLATION AND SITE PREPARATION WORK.
3. ALL DIMENSIONS ARE IN MILLIMETERS [INCHES].
4. SOME STRUCTURAL DETAILS BEEN OMITTED FOR THE PURPOSE OF CLARITY.

THIS DRAWING AND SPECIFICATIONS HEREIN ARE THE PROPERTY OF SCHNEIDER ELECTRIC AND SHALL NOT BE COPIED, REPRODUCED OR USED IN WHOLE OR IN PART, AS THE BASIS FOR THE MANUFACTURE OR SALE OF ITEMS WITHOUT WRITTEN PERMISSION FROM SCHNEIDER ELECTRIC. THIS DRAWING IS BASED UPON LATEST AVAILABLE INFORMATION AND IS SUBJECT TO CHANGE WITHOUT NOTICE.



TITLE: InRow DIRECT EXPANSION CONDENSING UNIT
3PH 400V 50/60HZ DUAL POWER CE
INTERNAL VIEWS

PROJECT: SUBMITTAL DRAWINGS SHEET 3 OF 3

DWG NO: ACCU302D

DRAWN: BALA	29-SEP-20
ENGINEER: RAAM C/Hongwei Y	3-NOV-20
APPROVED: RAAM C/Hongwei Y	3-NOV-20

REV: 0
FIRST ANGLE PROJECTION