

SDSA1175 SPDs

Square D Type 1 Surge Protective Devices

Square D™ brand Surgelogic™ SDSA1175 products are compact and affordable Surge Protective Devices (SPDs). SDSA1175 SPDs offer a simple means to bring down initial surges to manageable levels and can offer additional value in a cascaded SPD system. Their compact design allows surge suppression to be installed adjacent to power panels or directly on sensitive equipment.



SDSA1175 SPDs Features

Superior Performance

Square D brand Surgelocic SDSA1175 SPDs utilize high-energy suppression circuitry that can be located at any point in the electrical system. As a Type 1 rated device, they have the flexibility to be used with or without an Overcurrent Protection Device (OCPD).

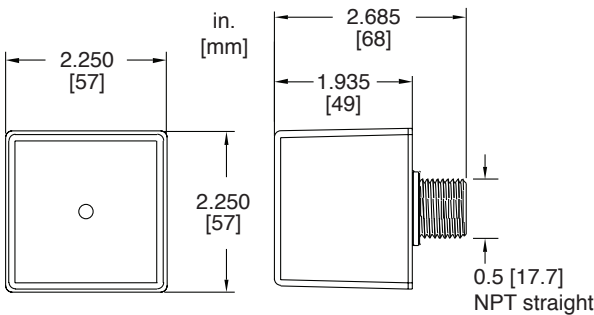
SDSA1175 SPDs provide surge suppression for equipment from severe transient activity. Each MOV is individually fused and the products carry a NEMA Type 4X rating suitable for installing indoors, outdoors, or in other harsh environments.

Easy Installation

Surgelocic SDSA1175 SPDs are some of the most versatile, yet compact devices available on the market today. This compact package can be mounted on an electrical panel, meter socket, or inside electrical control cabinets.

Warranty

The SDSA1175 and SDSA1175T warranty is 2 years.



SDSA1175



Mechanical Description

Modes of Protection	5
Enclosure	Non-Metallic
NEMA Rating	Type 4X
Connection Method	#14 AWG, Solid
Weight	0.72 lbs
Mounting Method	Close Nippled, Back Mounted
Thermal Fusing	Yes
Overcurrent Fusing	Yes
Operating Frequency	50/60 Hz
Operating Altitude	Sea Level-12,000' (3,658 m)
Storage Temperature	-40° F to +149° F (-40° C to +65° C)
Operating Temperature	-40° F to +149° F (-40° C to +65° C)
Operating Humidity	0 to 95% non-condensing

Diagnostics

Green status LED

Listings and Performance

cULus Listed to 1449 3rd Edition Type 1 SPD, CSA C22.2 No. 8-M1986, C233.1-87

The SDSA1175 is a three-wire surge suppressor designed for 120/240 Vac services. Two SDSA1175 units can be installed for 208Y/120 Vac services. The SDSA1175T is a two-wire surge suppressor designed for 120 Vac services.

Voltage	Surge Current per Phase	Configuration	Model Number	MCOV	SCCR	I _n	VPR			
							L-N	L-G	L-L	N-G
120/240V	36kA	1 Ø, 3-wire	SDSA1175	150V	25kA	10kA	700V	N/A	1200V	N/A
120V	36kA	1 Ø, 2-wire	SDSA1175T	150V	25kA	10kA	700V	N/A	N/A	N/A

Schneider Electric USA, Inc.
800 Federal Street
Andover, MA 01810
Telephone: (978) 794-0800
www.schneider-electric.com/us

Schneider Electric México, S.A. de C.V.
Calz. J. Rojo Gómez 1121-A
Col. Gpe. del Moral 09300 México, D.F.
Tel. 55-5804-5000
www.schneider-electric.com.mx

Schneider Electric Canada, Inc.
5985 McLaughlin Road
Mississauga, ON L5R 1B8 Canada
Tel: 1-800-565-6699
www.schneider-electric.ca