

Total protection for your most critical circuits

> Acti 9 iDPN Vigi

Earth leakage protection for complete safety in any installation



Acti 9: The efficiency you deserve

Acti 9 iDPN Vigi

All-in-one integrated protection:
Earth leakage, overcurrent
and overload (RCBO)

A complement to the Acti 9™ system and exclusive to Schneider Electric, iDPN Vigi residual current devices (RCBO) provide complete protection against electric shocks. The Acti 9 iDPN Vigi separates and isolates outlet circuits, avoiding downtime and providing high continuity of service on critical or sensitive outlet circuits. Its integrated MCB and RCD protection is perfect for installations facing challenging atmospheric conditions, harmonic generating loads, and transient operating currents, particularly where high continuity of service is required.

Available only from
Schneider Electric

ComReady

with additional Ti24 auxiliary

**Class 2
front face**

VisiSafe™

for complete operator
safety - **green strip**
guarantees safety during
maintenance

**Super
Immunization
'SI' type**



**Double
VisiTrip
X2**

for instant earth
fault indication



'Thanks to the iDPN Vigi, I can easily identify any fault origin on an affected circuit. I can quickly see if the fault comes from a short circuit, an overload, or if it's due to an insulation fault. The double VisiTrip on the Acti 9 iDPN Vigi make this fast and easy. I just have to look on the front face of the device'

H. Acosta, hospital electrician,
Málaga, Spain



50%

less wiring connections
thanks to all-in-one design

100%

integrated MCB and
RCD coordination

'With iDPN Vigi RCBO only the affected unit trips when an earth leakage fault occurs. The fault circuit is perfectly isolated. We maintain continuity of service on all the other circuits of the installation'

S. Savard - electrician, Nice, France

Complete safety

For the installation:

- > VisiSafe inside ensures perfect operation in all demanding environments
- > IEC compliant with IEC/EN 61009 certification
- > Permanent earth leakage protection and indication, compatible with Acti 9 communication system

For the operator:

- > Class 2 front face for absolute protection
- > Robust external integrity absolutely safe, even in extreme environments

Ready to be connected to Acti 9 Smartlink through Modbus network



Easy visual detection thanks to double VisiTrip



Easy installation with standard comb busbar



Efficient

Continuity of service:

- > Super immunization guarantees the highest continuity of service and electrical immunity
- > Double VisiTrip indicator—one for MCB and for Vigi module—for instant visual of short circuit/overload (MCB) or earth fault (RCD)

Ready to be connected:

- > Ti24 auxiliary is fully compatible with Acti 9 Smartlink, for individual outlet monitoring
- > Remote signalisation

Simple and smart

Easy to design:

- > Ready to connect to Acti 9 communication system (additional OF/SD signalization)
- > Compatible with 3 phases + N comb busbars
- > 100% coordination between MCB and RCD functions

Easy to choose:

- > 3 ranges: 4.5kA, 6kA and 10 kA (iDPNa Vigi, iDPN N Vigi, iDPN H Vigi)
- > One product with two functions
- > Commercially significant part numbers

Easy to install:

- > Integrated product saves installation and wiring time, reduces power connections
- > Easy to connect to the comb busbar
- > Double DIN rail lockers: no need to remove comb busbars during service



Green innovation

RoHS and REACH compliant



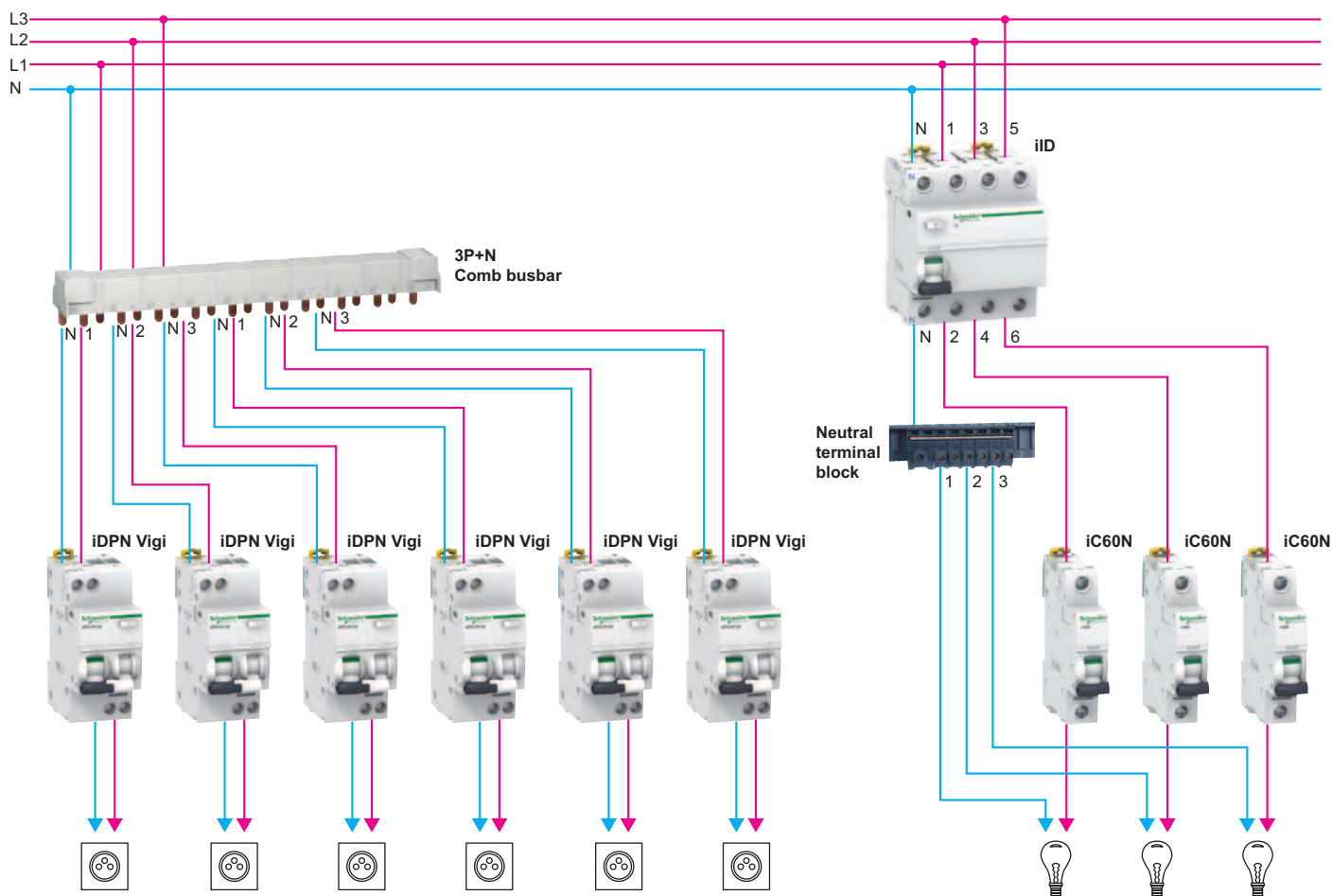
Earth fault protection

Perfect for even the most challenging installations

Acti 9 iDPN Vigì installs easily

'The Acti 9 iDPN Vigì is so simple to install, I use exactly the same method to connect as I do an MCB. I save time using the dedicated 3P + N comb busbar accessory to better distribute all phases'

Y. Cournoyer - installer, Lyon, France



Acti 9 iDPN Vigì

RCD Type	AC, A, SI
Type	1P + N
Rating (A)	4 to 40
Standards	IEC/EN 61009-1
Sensitivity (mA)	10, 30, 100, 300
Icn(A)	4500, 6000, 10,000



Schneider Electric Industries SAS

Head Office
 35 rue Joseph Monier
 92500 Rueil Malmaison Cedex- France
 Tel.: +33 (0)1 41 29 70 00
 www.schneider-electric.com

