

Rack Automatic Transfer Switch AP4434A

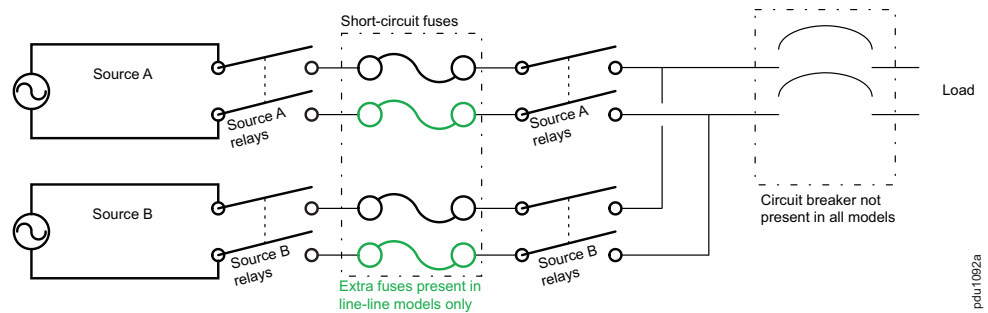


Overview

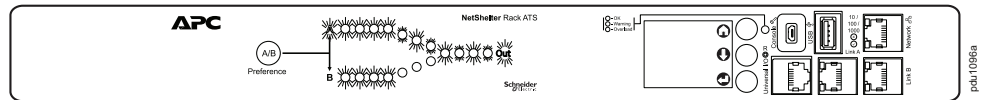
The APC Rack Automatic Transfer Switch (ATS) provides reliable, redundant power to single-corded equipment loads, such as servers. The Rack ATS has two input power cords supplying power to the connected loads. If the primary source becomes unavailable or goes out of the selected range, the Rack ATS will seamlessly source power from the secondary source without interrupting critical loads.

The Rack ATS has built-in network connectivity, which allows for remote management via Web, SNMP, SSH or Data Center Expert® interfaces.

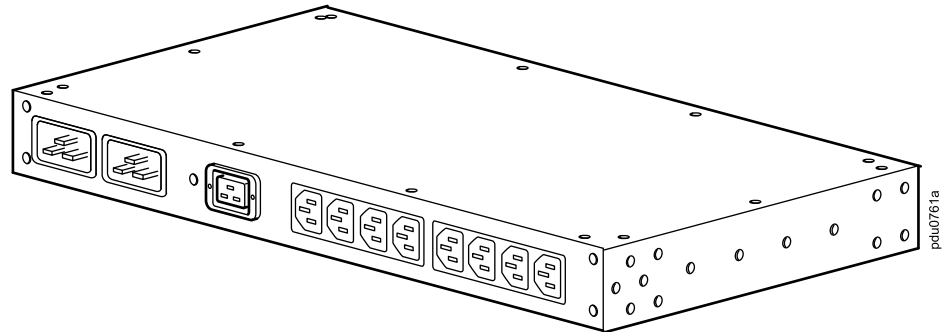
ATS Schematic



Front



Rear



Power inlets: Two (2) C20 inlets support two (2) power cords (not provided) to connect the Rack ATS to two (2) separate power sources (A and B). The Rack ATS draws power from the preferred source and automatically switches to the secondary source when necessary.

Outlets: The outlets connect the Rack ATS to equipment in the rack or enclosure, providing a redundant source of power to the connected equipment. Each Rack ATS has eight (8) C13 outlets and one (1) C19 outlet.

Multiple power cord options are available on the APC website, www.apc.com. From the home page, select Products and Services, then select the link to view NetShelter Power Cords under Rack Power Distribution.

Specifications

Electrical	
Nominal input voltage	208 VAC
Acceptable input voltage	±10% of nominal
Input frequency	50/60 Hz
Input connectors	Two (2) C20 inlets
Output connectors	Eight (8) C13 outlets One (1) C19 outlet
Maximum output current (outlet)	12 A–C13 (ampacity corrected) 16 A–C19 (ampacity corrected) 12 A–gang (ampacity corrected)
Maximum output/input current	16 A
Overload protection	
Internal	Not provided with unit
External (recommended)	16 A facility provided
Transfer time	10 ms maximum (high sensitivity, 50–60 Hz) 12 ms maximum (low sensitivity, 50–60 Hz)
Short circuit current rating	10 kA
Physical	
Dimensions (H x W x D)	43.7 x 431.8 x 236.2 mm (1.72 x 17.00 x 9.30 in)
Shipping dimensions (H x W x D)	114.3 x 600.2 x 355.6 mm (4.50 x 23.63 x 14.00 in)
Weight	3.74 kg (8.25 lb)
Shipping weight	5.51 kg (12.15 lb)
Environmental	
Maximum elevation (above MSL)	
Operating	0 to 3 000 m (0 to 10,000 ft)
Storage	0 to 15 000 m (0 to 50,000 ft)
Temperature	
Operating	–5 to 45 °C (23 to 113 °F)
Storage	–25 to 65 °C (–13 to 149 °F)
Humidity	
Operating	5 to 95%, non-condensing
Storage	5 to 95%, non-condensing
Compliance	
EMC	FCC Part 15 / ICES-003
Safety	cULus UL/EN/IEC 62368-1