

## Rack Automatic Transfer Switch AP4431A

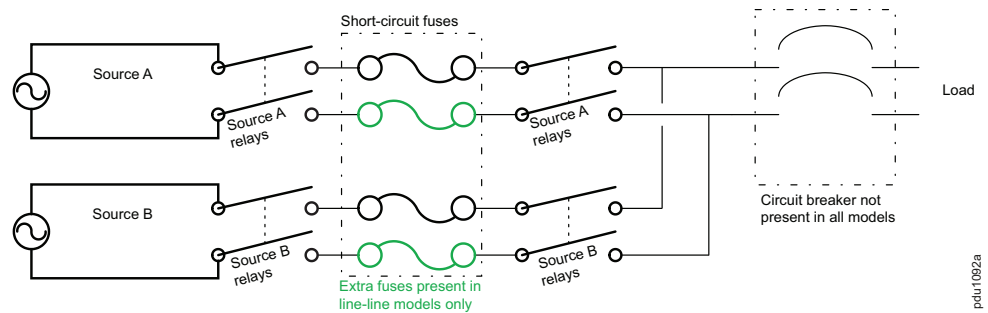


### Overview

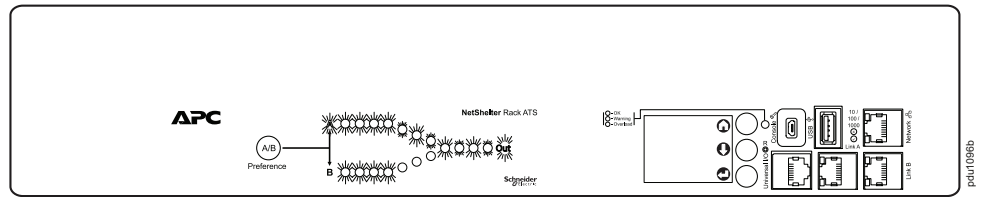
The APC Rack Automatic Transfer Switch (ATS) provides reliable, redundant power to single-corded equipment loads, such as servers. The Rack ATS has two input power cords supplying power to the connected loads. If the primary source becomes unavailable or goes out of the selected range, the Rack ATS will seamlessly source power from the secondary source without interrupting critical loads.

The Rack ATS has built-in network connectivity, which allows for remote management via Web, SNMP, SSH or Data Center Expert® interfaces.

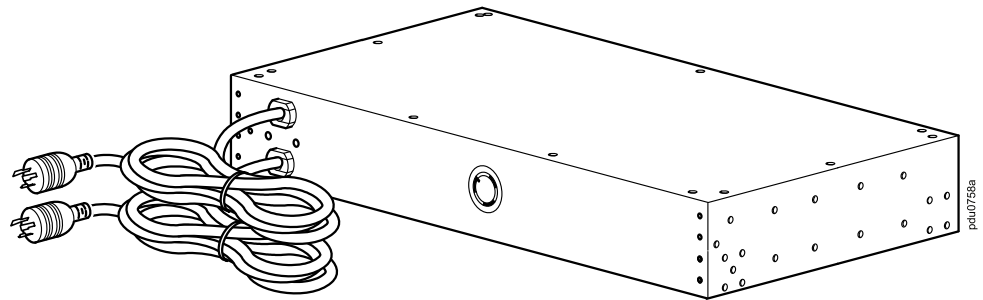
### ATS Schematic



## Front



## Rear



**Input power cords:** Two (2) cords connect the Rack ATS to two (2) separate power sources (A and B). The Rack ATS draws power from the preferred source and automatically switches to the secondary source when necessary. The two (2) 2.44-m (8-ft) power cords have L6-30P plugs.

**Outlet:** The outlet connects the Rack ATS to equipment in the rack or enclosure, providing a redundant source of power to the connected equipment. Each Rack ATS has one NEMA L6-30R outlet.

## Specifications

<b>Electrical</b>	
Nominal input voltage	208 VAC
Acceptable input voltage	±10% of nominal
Input frequency	50/60 Hz
Input connectors	Two (2) 2.44-m (8 ft) L6-30P power cords
Output connectors	NEMA L6-30R
Maximum output current (outlet)	24 A (ampacity corrected)
Maximum output/input current	24 A (ampacity corrected)
Overload protection	
Internal	Not provided with this product
External (recommended)	30 A facility provided
Transfer time	10 ms maximum (high sensitivity, 50–60 Hz) 12 ms maximum (low sensitivity, 50–60 Hz)
Short circuit current rating	10 kA
<b>Physical</b>	
Dimensions (H x W x D)	88.1 x 431.8 x 236.2 mm (3.47 x 17.00 x 9.30 in)
Shipping dimensions (H x W x D)	209.5 x 584.2 x 355.6 mm (8.25 x 23.00 x 14.00 in)
Weight	6.49 kg (14.30 lb)
Shipping weight	8.98 kg (19.80 lb)
<b>Environmental</b>	
Maximum elevation (above MSL)	
Operating	0 to 3 000 m (0 to 10,000 ft)
Storage	0 to 15 000 m (0 to 50,000 ft)
Temperature	
Operating	–5 to 45°C (23 to 113°F)
Storage	–25 to 65°C (–13 to 149°F)
Humidity	
Operating	5 to 95%, non-condensing
Storage	5 to 95%, non-condensing
<b>Compliance</b>	
EMC	FCC Part 15 / ICES-003
Safety	cULus UL/EN/IEC 62368-1