

Rack Automatic Transfer Switch AP4450A

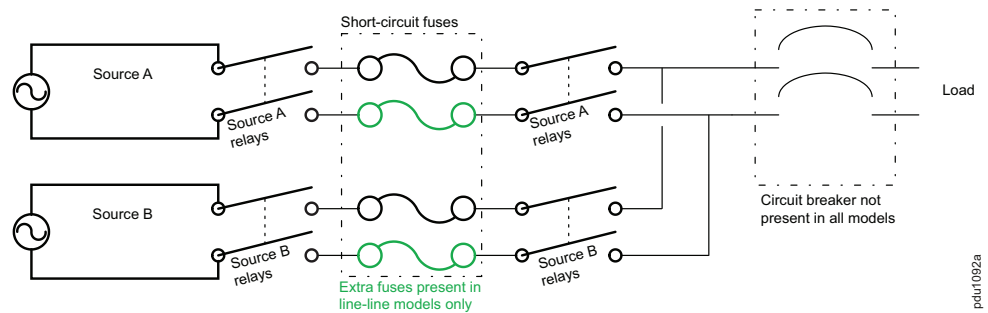


Overview

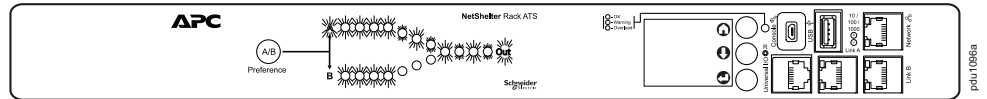
The APC Rack Automatic Transfer Switch (ATS) provides reliable, redundant power to single-corded equipment loads, such as servers. The Rack ATS has two input power cords supplying power to the connected loads. If the primary source becomes unavailable or goes out of the selected range, the Rack ATS will seamlessly source power from the secondary source without interrupting critical loads.

The Rack ATS has built-in network connectivity, which allows for remote management via Web, SNMP, SSH or Data Center Expert® interfaces.

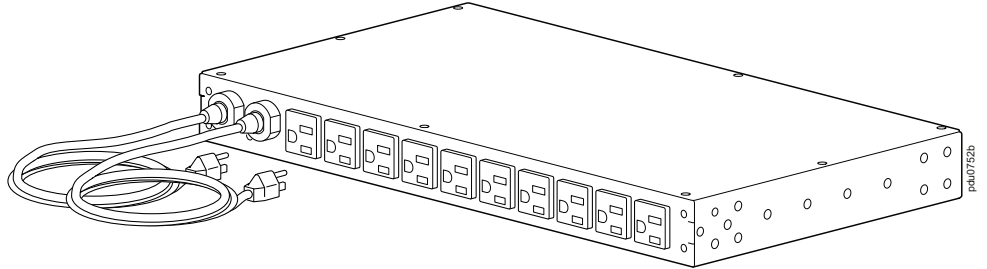
ATS Schematic



Front



Rear



Input power cords: Two (2) cords connect the Rack ATS to two separate power sources (A and B). The Rack ATS draws power from the preferred source and automatically switches to the secondary source when necessary. The two (2) 2.44-m (8-ft) power cords have NEMA 5-15P plugs.

Outlets: The outlets connect the Rack ATS to equipment in the rack or enclosure, providing a redundant source of power to the connected equipment. Each Rack ATS has ten (10) 5-15R outlets.

Specifications

| Electrical | |
|---------------------------------|---|
| Nominal input voltage | 100/120 VAC |
| Acceptable input voltage | ±10% of nominal |
| Input frequency | 50/60 Hz |
| Input connectors | Two (2) 2.44-m (8-ft) NEMA 5-15P power cords |
| Output connectors | Ten (10) 5-15R outlets |
| Maximum output current (outlet) | 12 A (UL) 15 A (PSE) |
| Maximum output/input current | 12 A (UL) 15 A (PSE) |
| Overload protection | |
| Internal | Not provided with unit |
| External (recommended) | 15 A facility provided |
| Transfer time | 10 ms maximum (high sensitivity, 50–60 Hz) 12 ms maximum (low sensitivity, 50–60 Hz) |
| Short circuit current rating | 10 kA |
| Physical | |
| Dimensions (H x W x D) | 43.7 x 431.8 x 236.2 mm (1.72 x 17.00 x 9.30 in) |
| Shipping dimensions (H x W x D) | 114.3 x 600.2 x 355.6 mm (4.50 x 23.63 x 14.00 in) |
| Weight | 4.40 kg (9.70 lb) |
| Shipping weight | 6.17 kg (13.60 lb) |
| Environmental | |
| Maximum elevation (above MSL) | |
| Operating | 0 to 3 000 m (0 to 10,000 ft) |
| Storage | 0 to 15 000 m (0 to 50,000 ft) |
| Temperature | |
| Operating | –5 to 45 °C (23 to 113 °F) |
| Storage | –25 to 65 °C (–13 to 149 °F) |
| Humidity | |
| Operating | 5 to 95%, non-condensing |
| Storage | 5 to 95%, non-condensing |
| Compliance | |
| EMC | FCC Part 15 / ICES-003 |
| Safety | cULus - PSE - UL/EN/IEC 62368-1 |