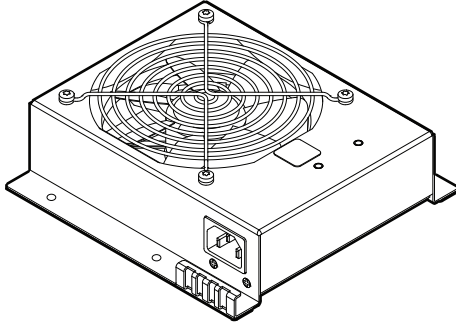
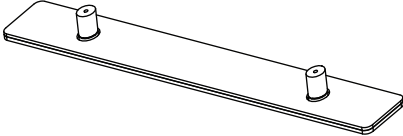
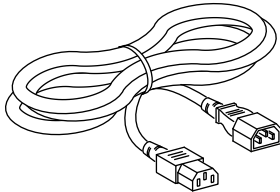



Easy Rack Fantray Accessory ER7FANTRAY

Kit Instructions

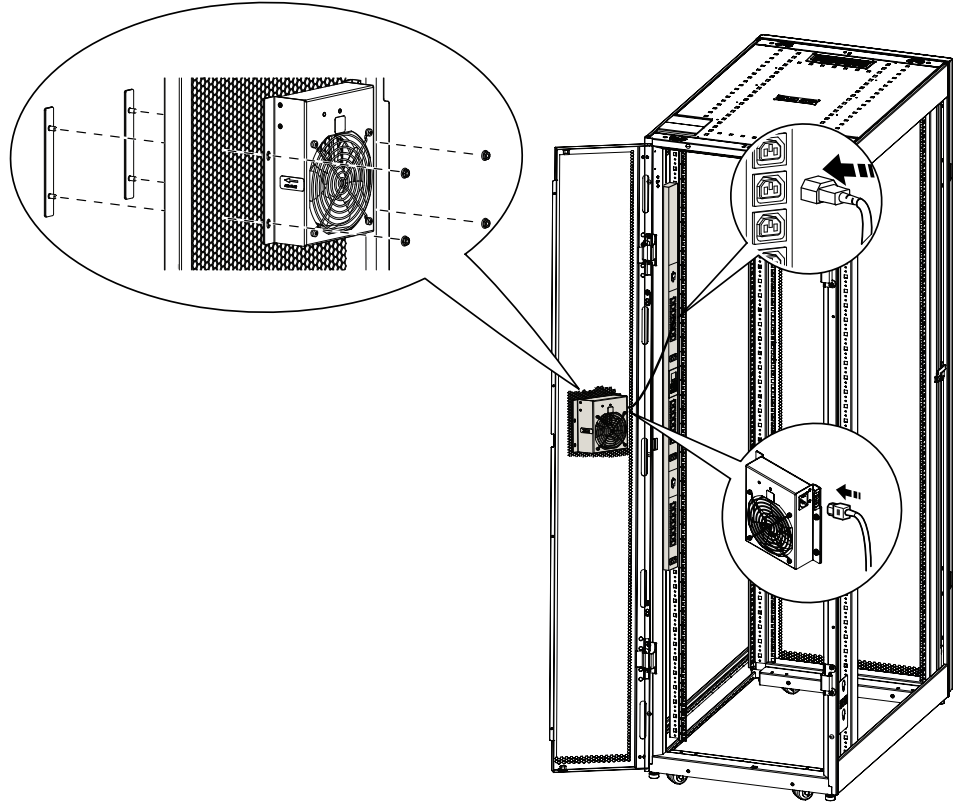
ER7FANTRAY Inventory

 <p>Fan (1)</p>	 <p>Bracket (2)</p>
 <p>Power Cord (1)</p>	 <p>Flange Nut (4)</p>

Installation:

The Fan is installed through the perforations in the door. Position the Fan so the power cable can be installed on the hinge side of the door.

1. Push the threaded studs on the bracket through the perforations in the door so they will align to the position of the mounting holes in the sides of the Fan.
2. Slide the mounting holes of the Fan over the threaded studs.
3. Secure the Fan to the door by installing the four (4) flange nuts to the threaded studs.
4. Plug the power cord into the Fan and into your power source. (A Rack PDU is shown as the power source in the illustration.)
5. Secure the power cord so that it does not interfere with other equipment and cables.



Electric Rating Specifications

Input voltage	Frequency	Current	Noise	Air-flow
230 VAC	50Hz	0.09A	38dBA	2.56m3/min
	60Hz	0.08A	45dBA	2.99m3/min