

# Bottom Entry Cabinet

## For Galaxy VL and Easy UPS 3L

### Installation

GVBEC

Latest updates are available on the Schneider Electric website  
5/2024



# Legal Information

The information provided in this document contains general descriptions, technical characteristics and/or recommendations related to products/solutions.

This document is not intended as a substitute for a detailed study or operational and site-specific development or schematic plan. It is not to be used for determining suitability or reliability of the products/solutions for specific user applications. It is the duty of any such user to perform or have any professional expert of its choice (integrator, specifier or the like) perform the appropriate and comprehensive risk analysis, evaluation and testing of the products/solutions with respect to the relevant specific application or use thereof.

The Schneider Electric brand and any trademarks of Schneider Electric SE and its subsidiaries referred to in this document are the property of Schneider Electric SE or its subsidiaries. All other brands may be trademarks of their respective owner.

This document and its content are protected under applicable copyright laws and provided for informative use only. No part of this document may be reproduced or transmitted in any form or by any means (electronic, mechanical, photocopying, recording, or otherwise), for any purpose, without the prior written permission of Schneider Electric.

Schneider Electric does not grant any right or license for commercial use of the document or its content, except for a non-exclusive and personal license to consult it on an "as is" basis.

Schneider Electric reserves the right to make changes or updates with respect to or in the content of this document or the format thereof, at any time without notice.

**To the extent permitted by applicable law, no responsibility or liability is assumed by Schneider Electric and its subsidiaries for any errors or omissions in the informational content of this document, as well as any non-intended use or misuse of the content thereof.**

# Table of Contents

Important Safety Instructions — SAVE THESE	
INSTRUCTIONS .....	5
Safety Precautions .....	6
Additional Safety Precautions After Installation.....	8
Electrical Safety.....	8
Specifications .....	9
Maximum Short Circuit Rating .....	9
Bottom Entry Cabinet Weight and Dimensions .....	9
Torque Specifications.....	9
Environment.....	9
Installation Procedure for Galaxy VL UPS with Bottom Entry	
Cabinet .....	10
Installation Procedure for Easy UPS 3L with Bottom Entry	
Cabinet .....	11
Install the Seismic Anchoring with the Galaxy VL UPS	
(Optional).....	12
Install the Bottom Entry Cabinet with the Galaxy VL UPS in	
System over 45 kAIC/kA Icw .....	14
Install the Bottom Entry Cabinet with the Galaxy VL UPS in	
System up to 45 kAIC/kA Icw .....	26
Install the Bottom Entry Cabinet with the Easy UPS 3L .....	35
Decommission or Move the Bottom Entry Cabinet to a New	
Location .....	41





# Important Safety Instructions — SAVE THESE INSTRUCTIONS

Read these instructions carefully and look at the equipment to become familiar with it before trying to install, operate, service or maintain it. The following safety messages may appear throughout this manual or on the equipment to warn of potential hazards or to call attention to information that clarifies or simplifies a procedure.



The addition of this symbol to a “Danger” or “Warning” safety message indicates that an electrical hazard exists which will result in personal injury if the instructions are not followed.



This is the safety alert symbol. It is used to alert you to potential personal injury hazards. Obey all safety messages with this symbol to avoid possible injury or death.

## DANGER

**DANGER** indicates a hazardous situation which, if not avoided, **will result in death or serious injury.**

**Failure to follow these instructions will result in death or serious injury.**

## WARNING

**WARNING** indicates a hazardous situation which, if not avoided, **could result in death or serious injury.**

**Failure to follow these instructions can result in death, serious injury, or equipment damage.**

## CAUTION

**CAUTION** indicates a hazardous situation which, if not avoided, **could result in minor or moderate injury.**

**Failure to follow these instructions can result in injury or equipment damage.**

## NOTICE

**NOTICE** is used to address practices not related to physical injury. The safety alert symbol shall not be used with this type of safety message.

**Failure to follow these instructions can result in equipment damage.**

## Please Note

Electrical equipment should only be installed, operated, serviced, and maintained by qualified personnel. No responsibility is assumed by Schneider Electric for any consequences arising out of the use of this material.

A qualified person is one who has skills and knowledge related to the construction, installation, and operation of electrical equipment and has received safety training to recognize and avoid the hazards involved.

Per IEC 62040-1: "Uninterruptible power systems (UPS) -- Part 1: Safety Requirements," this equipment, including battery access, must be inspected, installed and maintained by a skilled person.

The skilled person is a person with relevant education and experience to enable him or her to perceive risks and to avoid hazards which the equipment can create (reference IEC 62040-1, section 3.102).

## Safety Precautions

### **DANGER**

#### **HAZARD OF ELECTRIC SHOCK, EXPLOSION, OR ARC FLASH**

Read all instructions in the installation manual before installing or working on this product.

**Failure to follow these instructions will result in death or serious injury.**

### **DANGER**

#### **HAZARD OF ELECTRIC SHOCK, EXPLOSION, OR ARC FLASH**

Do not install the product until all construction work has been completed and the installation room has been cleaned.

**Failure to follow these instructions will result in death or serious injury.**

### **DANGER**

#### **HAZARD OF ELECTRIC SHOCK, EXPLOSION, OR ARC FLASH**

The product must be installed according to the specifications and requirements as defined by Schneider Electric. It concerns in particular the external and internal protections (upstream breakers, battery breakers, cabling, etc.) and environmental requirements. No responsibility is assumed by Schneider Electric if these requirements are not respected.

**Failure to follow these instructions will result in death or serious injury.**

### **DANGER**

#### **HAZARD OF ELECTRIC SHOCK, EXPLOSION, OR ARC FLASH**

The UPS system must be installed according to local and national regulations. Install the UPS system according to:

- IEC 60364 (including 60364-4-41- protection against electric shock, 60364-4-42 - protection against thermal effect, and 60364-4-43 - protection against overcurrent), **or**
- NEC NFPA 70, **or**
- Canadian Electrical Code (C22.1, Part 1)

depending on which one of the standards apply in your local area.

**Failure to follow these instructions will result in death or serious injury.**

**⚠️⚠️ DANGER**

**HAZARD OF ELECTRIC SHOCK, EXPLOSION, OR ARC FLASH**

- Install the product in a temperature controlled indoor environment free of conductive contaminants and humidity.
- Install the product on a non-flammable, level and solid surface (e.g. concrete) that can support the weight of the system.

**Failure to follow these instructions will result in death or serious injury.**

**⚠️⚠️ DANGER**

**HAZARD OF ELECTRIC SHOCK, EXPLOSION, OR ARC FLASH**

The product is not designed for and must therefore not be installed in the following unusual operating environments:

- Damaging fumes
- Explosive mixtures of dust or gases, corrosive gases, or conductive or radiant heat from other sources
- Moisture, abrasive dust, steam or in an excessively damp environment
- Fungus, insects, vermin
- Salt-laden air or contaminated cooling refrigerant
- Pollution degree higher than 2 according to IEC 60664-1
- Exposure to abnormal vibrations, shocks, and tilting
- Exposure to direct sunlight, heat sources, or strong electromagnetic fields

**Failure to follow these instructions will result in death or serious injury.**

**⚠️⚠️ DANGER**

**HAZARD OF ELECTRIC SHOCK, EXPLOSION, OR ARC FLASH**

Do not drill or cut holes for cables or conduits with the gland plates installed and do not drill or cut holes in close proximity to the UPS system.

**Failure to follow these instructions will result in death or serious injury.**

**⚠️⚠️ WARNING**

**HAZARD OF ARC FLASH**

Do not make mechanical changes to the product (including removal of cabinet parts or drilling/cutting of holes) that are not described in the installation manual.

**Failure to follow these instructions can result in death, serious injury, or equipment damage.**

**NOTICE**

**RISK OF OVERHEATING**

Respect the space requirements around the product and do not cover the ventilation openings when the product is in operation.

**Failure to follow these instructions can result in equipment damage.**

## Additional Safety Precautions After Installation

### **DANGER**

#### **HAZARD OF ELECTRIC SHOCK, EXPLOSION, OR ARC FLASH**

Do not install the UPS system until all construction work has been completed and the installation room has been cleaned. If additional construction work is needed in the installation room after this product has been installed, turn off the product and cover the product with the protective packaging bag the product was delivered in.

**Failure to follow these instructions will result in death or serious injury.**

## Electrical Safety

This manual contains important safety instructions that should be followed during the installation and maintenance of the UPS system.

### **DANGER**

#### **HAZARD OF ELECTRIC SHOCK, EXPLOSION, OR ARC FLASH**

- Electrical equipment must be installed, operated, serviced, and maintained only by qualified personnel.
- Apply appropriate personal protective equipment (PPE) and follow safe electrical work practices.
- Disconnection devices for AC and DC must be provided by others, be readily accessible, and the function of the disconnect device marked for its function.
- Turn off all power supplying the UPS system before working on or inside the equipment.
- Before working on the UPS system, check for hazardous voltage between all terminals including the protective earth.
- The UPS contains an internal energy source. Hazardous voltage can be present even when disconnected from the mains supply. Before installing or servicing the UPS system, ensure that the units are OFF and that mains and batteries are disconnected. Wait five minutes before opening the UPS to allow the capacitors to discharge.
- The UPS must be properly earthed/grounded and due to a high leakage current, the earthing/grounding conductor must be connected first.

**Failure to follow these instructions will result in death or serious injury.**

The label below must be added if:

1. The UPS input is connected through external isolators that, when opened, isolate the neutral, OR
2. The UPS input is connected via an IT power system.

The label must be placed adjacent to all upstream power disconnection devices that isolate the neutral.

### **DANGER**

#### **HAZARD OF ELECTRIC SHOCK, EXPLOSION, OR ARC FLASH**

Risk of voltage backfeed. Before working on this circuit: Isolate the UPS and check for hazardous voltage between all terminals including the protective earth.

**Failure to follow these instructions will result in death or serious injury.**

# Specifications

<b>NOTICE</b>
<b>HAZARD OF EQUIPMENT DAMAGE</b>
Refer to the UPS installation manual for detailed specifications for the UPS system.
<b>Failure to follow these instructions can result in equipment damage.</b>

## Maximum Short Circuit Rating

The bottom entry cabinet (GVBEC) is rated for 45 kAIC/kA I<sub>cw</sub> when installed with the Galaxy VL UPS.

The bottom entry cabinet (GVBEC) is rated for 65 kAIC/kA I<sub>cw</sub> when installed with the Galaxy VL UPS and the 65 kAIC/kA option kit (GVLOPT012).

The bottom entry cabinet (GVBEC) is rated for 35 kA I<sub>cc</sub> when installed with the Easy UPS 3L.

## Bottom Entry Cabinet Weight and Dimensions

Commercial reference	Weight kg (lbs)	Height mm (in)	Width mm (in)	Depth mm (in)
GVBEC	85 (188)	1970 (77.55)	400 (15.74)	850 (33.46)

## Torque Specifications

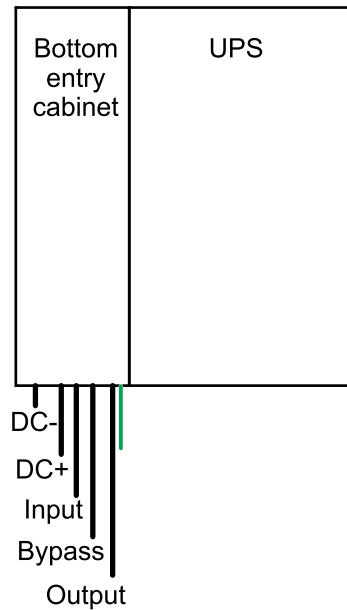
Bolt size	Torque
M6	5 Nm (3.69 lb-ft / 44.3 lb-in)
M8	17.5 Nm (12.91 lb-ft / 154.9 lb-in)
M10	30 Nm (22 lb-ft / 194.7 lb-in)
M12	50 Nm (36.87 lb-ft / 442.5 lb-in)

## Environment

	Operating	Storage
Temperature	0 °C to 50 °C (32 °F to 122 °F )	-25 °C to 55 °C (-13 °F to 131 °F)
Relative humidity	5-95% non-condensing	10-80% non-condensing
Protection class	IP20	
Color	RAL 9003, gloss level 85%	

# Installation Procedure for Galaxy VL UPS with Bottom Entry Cabinet

**NOTE:** All power cables and signal cables can be routed through the bottom entry cabinet and connected in the UPS.

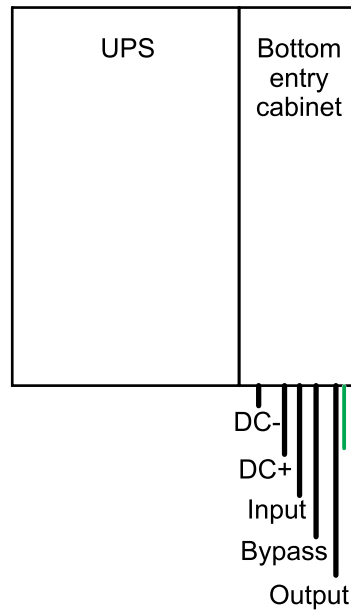


1. Install the Seismic Anchoring with the Galaxy VL UPS (Option), page 12.
2. Perform one of the following:
  - Install the Bottom Entry Cabinet with the Galaxy VL UPS in System over 45 kAIC/kA I<sub>cw</sub>, page 14, OR
  - Install the Bottom Entry Cabinet with the Galaxy VL UPS in System up to 45 kAIC/kA I<sub>cw</sub>, page 26.
3. Follow the UPS installation manual to connect the power cables and the signal cables and to complete the rest of the UPS installation.

For moving or decommissioning the bottom entry cabinet after installation has been completed, see Decommission or Move the Bottom Entry Cabinet to a New Location, page 41.

# Installation Procedure for Easy UPS 3L with Bottom Entry Cabinet

**NOTE:** All power cables and signal cables can be routed through the bottom entry cabinet and connected in the UPS.



1. Install the Bottom Entry Cabinet with the Easy UPS 3L, page 35.
2. Follow the UPS installation manual to connect the power cables and the signal cables and to complete the rest of the UPS installation.

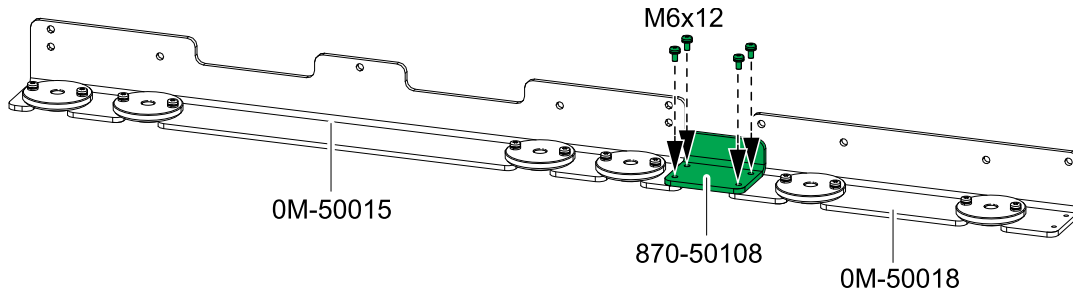
For moving or decommissioning the bottom entry cabinet after installation has been completed, see *Decommission or Move the Bottom Entry Cabinet to a New Location*, page 41.

# Install the Seismic Anchoring with the Galaxy VL UPS (Option)

Use the optional seismic kit GVLOPT002 for this procedure.

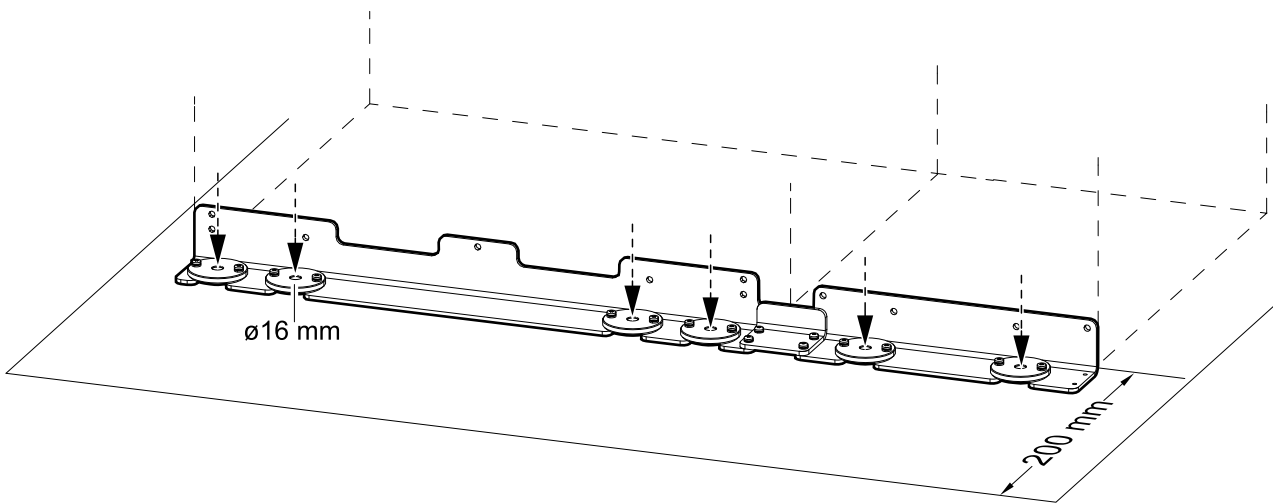
1. Connect the rear anchoring assemblies for the UPS and the bottom entry cabinet with the interconnection plate.

Rear View



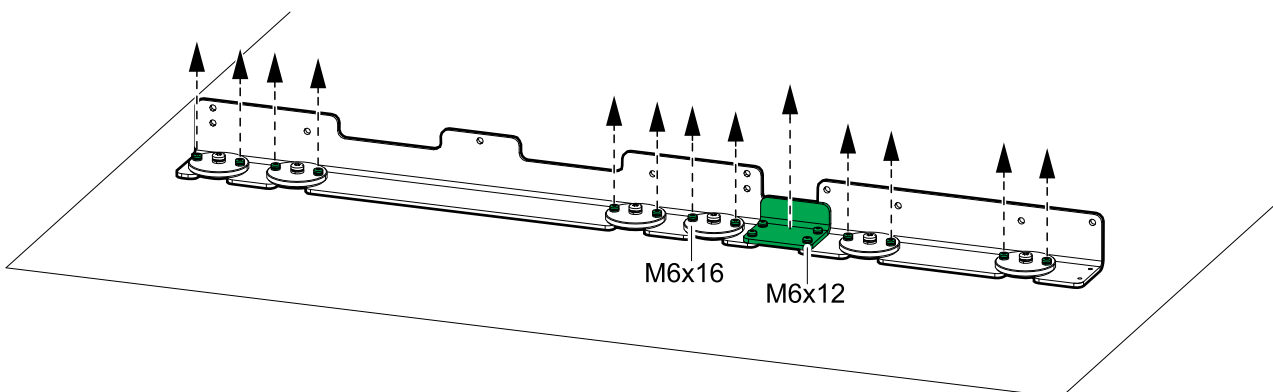
2. Mount the rear anchoring assembly to the floor. Use appropriate hardware for the floor type – the hole diameter in the rear anchors is  $\varnothing 16$  mm. The minimum requirement is M12 strength grade 8.8 hardware.

Rear View



3. Remove all the screws and the interconnection plate.

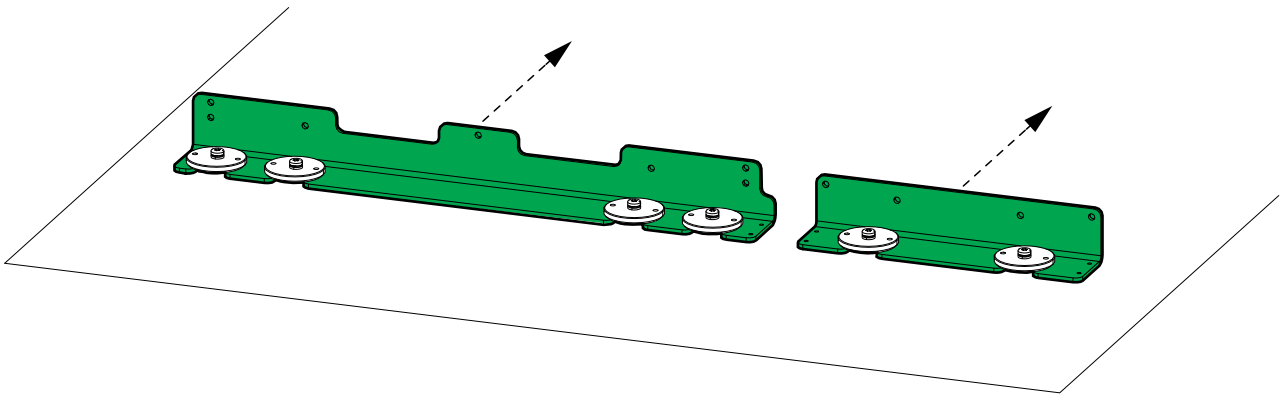
Rear View





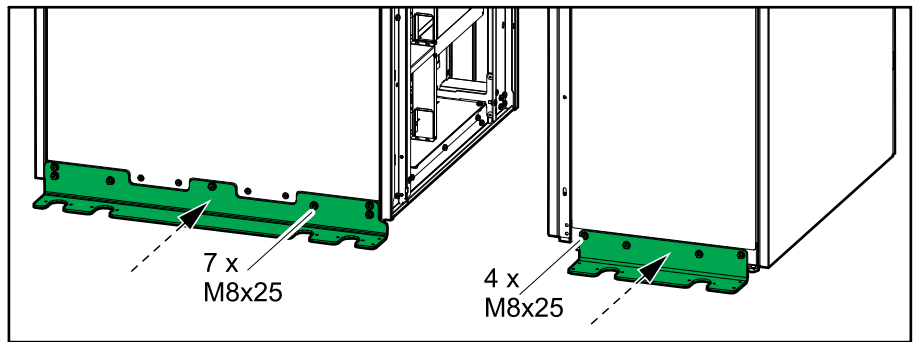
4. Remove the anchoring brackets.

**Rear View**



5. Install the rear anchoring brackets on the UPS and the bottom entry cabinet with the provided M8x25 bolts.

**Rear View of the UPS and the Bottom Entry Cabinet**



# Install the Bottom Entry Cabinet with the Galaxy VL UPS in System over 45 kAIC/kA Icw

## DANGER

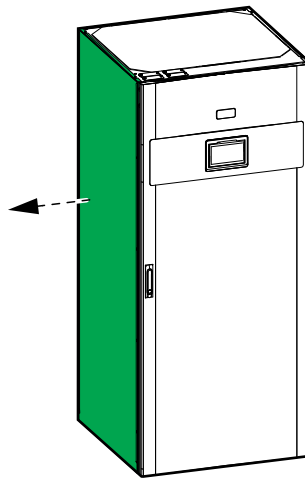
### HAZARD OF ELECTRIC SHOCK, EXPLOSION, OR ARC FLASH

Do not drill or punch holes with the gland plates installed and do not drill or punch holes in close proximity to the cabinet.

**Failure to follow these instructions will result in death or serious injury.**

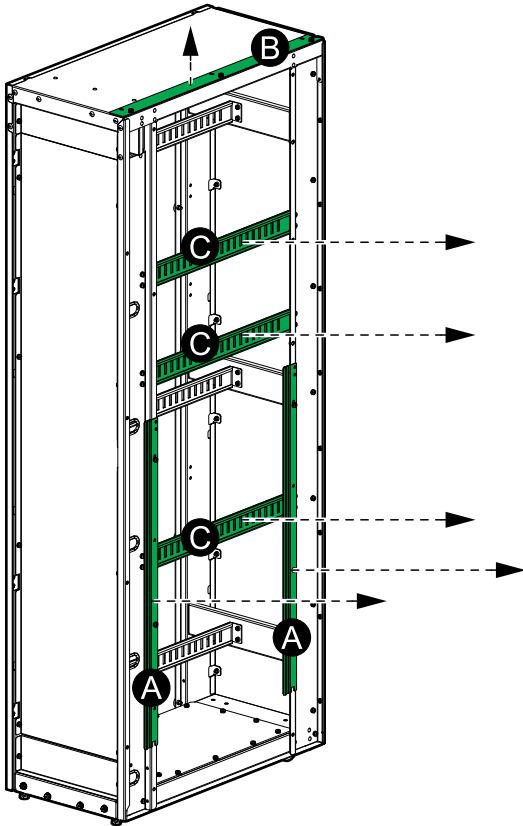
Use installation kit 0H-1818 and installation kit 0H-1816 (provided with the UPS), option kit GVLOPT012 (sold and shipped separately), and optional seismic kit GVLOPT002 (sold separately, if applicable) for this procedure.

1. Remove the left side panel from the UPS.

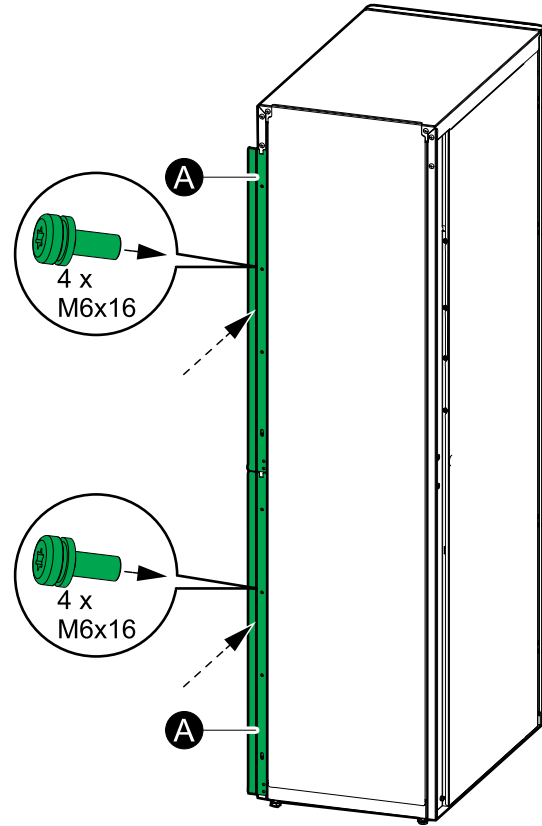


2. Remove the brackets (A) and (B) and (C) from the bottom entry cabinet. Install the brackets (A) on the rear of the bottom entry cabinet. Save the bracket (B) for top interconnection with the UPS. Discard the brackets (C), but save the screws for reuse.

Front View of the Bottom Entry Cabinet

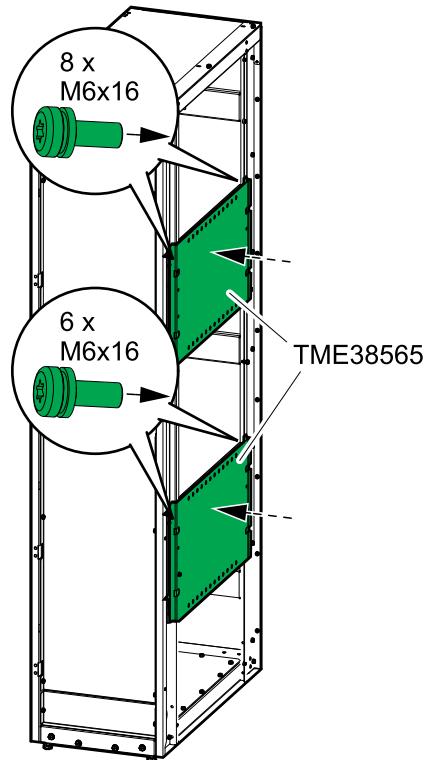


Rear View of the Bottom Entry Cabinet



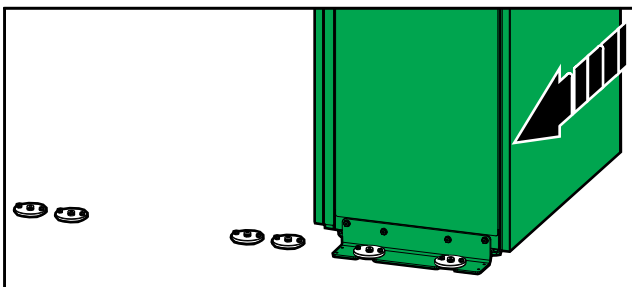
3. Install the two side plates (TME38565) from the optional kit GVLOPT012 on the right side of the bottom entry cabinet.

**Front View of the Bottom Entry Cabinet**

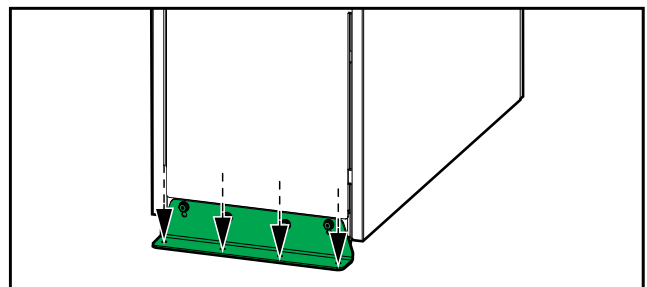


4. Push the bottom entry cabinet into final position. Align with seismic anchoring, if present. For systems without seismic anchoring, reinstall the rear transportation bracket on the rear of the bottom entry cabinet and mount it to the floor.

**Rear View with Seismic Anchoring**



**Rear View without Seismic Anchoring**



5. Lower the front and rear leveling feet on the bottom entry cabinet with a wrench until they connect with the floor. The casters must not have contact with the floor. Use a bubble-leveler to check that the bottom entry cabinet is level.

**NOTICE**

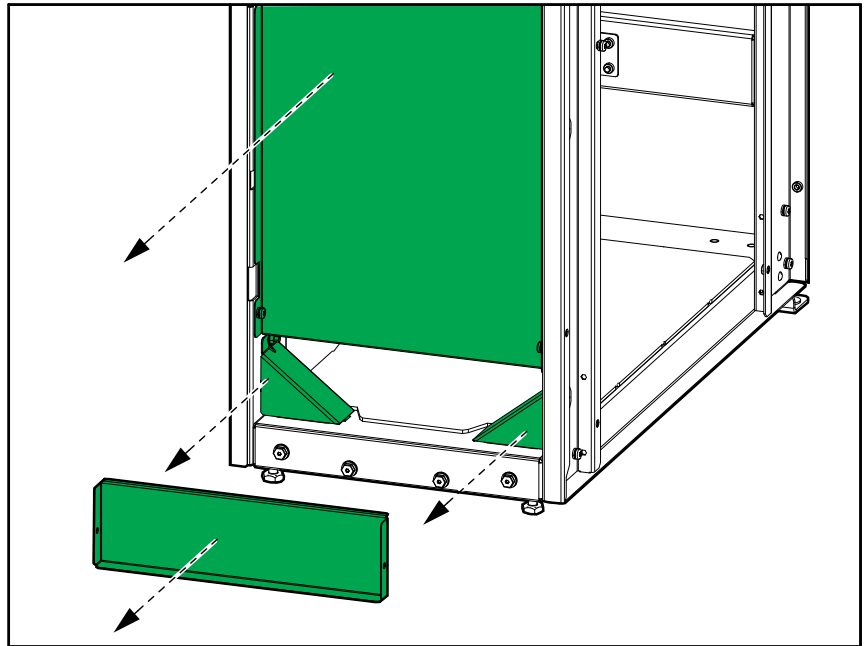
**RISK OF EQUIPMENT DAMAGE**

Do not move the cabinet after the leveling feet have been lowered.

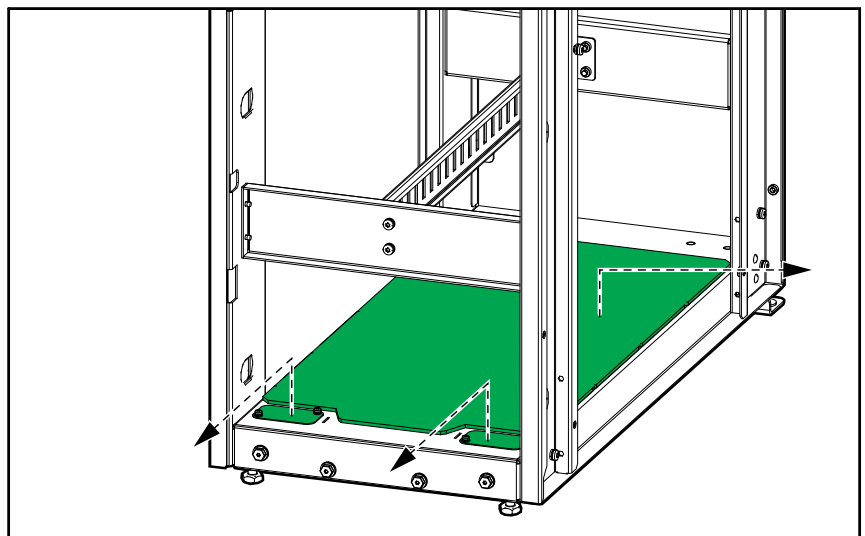
**Failure to follow these instructions can result in equipment damage.**

6. Prepare for power and signal cables:

- a. Remove the middle front plate, the lower front plate, and the triangle covers from the bottom entry cabinet.



- b. Remove the gland plates for the signal cables and the gland plate for the power cables.



- c. Remove the two casters from the gland plate for power cables.
  - d. Drill/punch holes for cables or conduits/grommets in the gland plates. Install conduits/grommets (not provided), if applicable.
  - e. Reinstall the gland plates. Save the triangle covers, the lower front plate, and the middle front plate for final installation.
7. Push the UPS into position next to the bottom entry cabinet. Align with seismic anchoring, if present.

- Lower the front and rear leveling feet on the UPS with a wrench until they connect with the floor. The casters must not have contact with the floor. Use a bubble-leveler to check that the UPS is level.

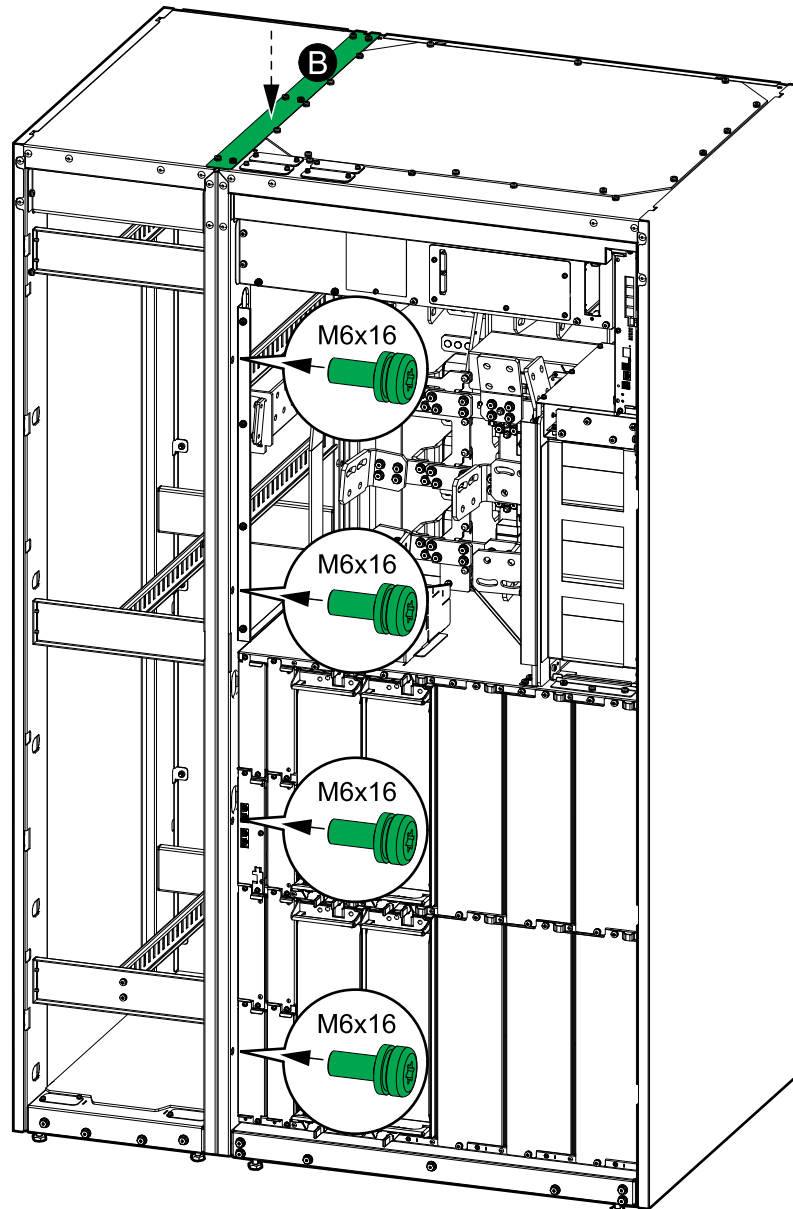
## NOTICE

### RISK OF EQUIPMENT DAMAGE

Do not move the cabinet after the leveling feet have been lowered.

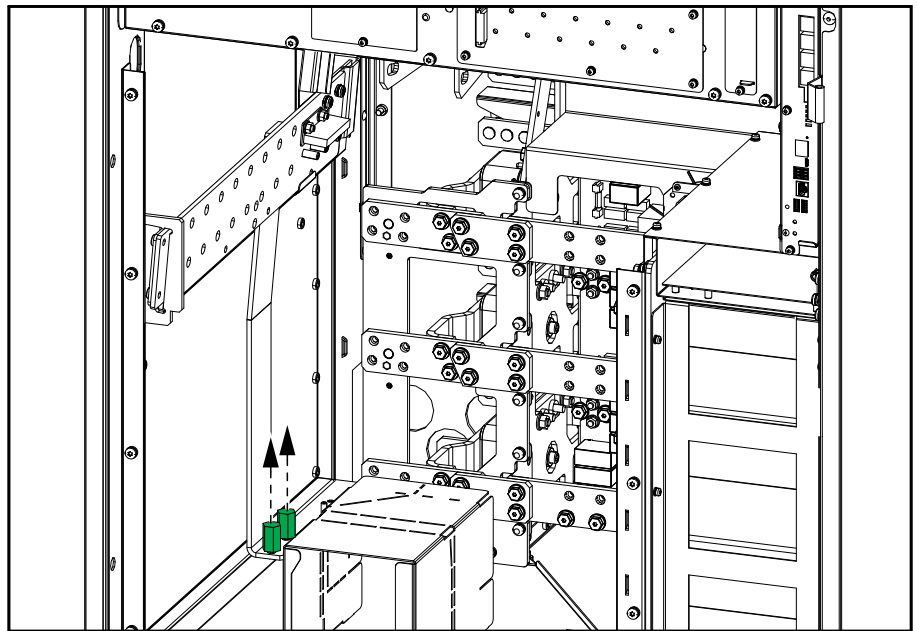
**Failure to follow these instructions can result in equipment damage.**

- Interconnect the bottom entry cabinet and the UPS in the front with screws as shown and install the top bracket (marked (B) on the illustration). The top bracket was removed from the top of the bottom entry cabinet in step 2.

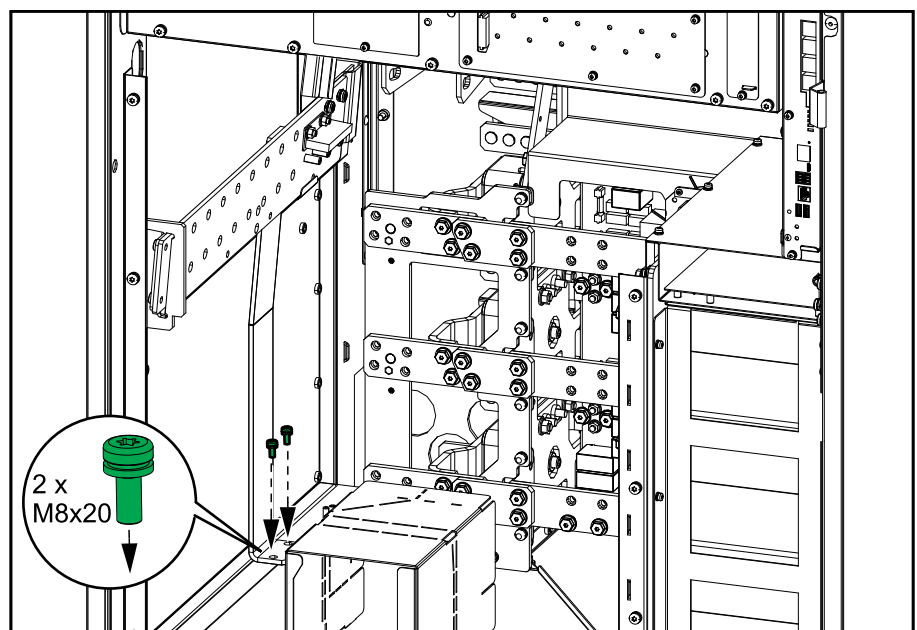


10. Remove the two special screws from the copper busbar in the UPS.

### Front View of the UPS

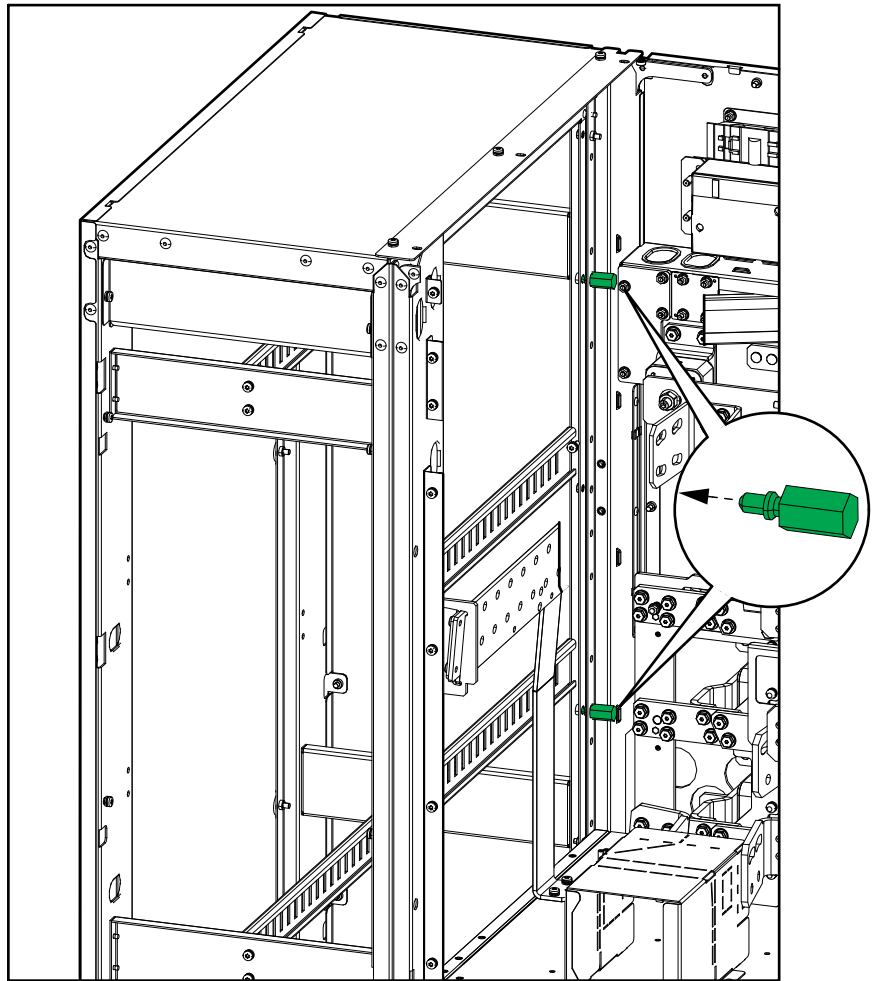


11. Install two screws from installation kit 0H-1818 to refasten the copper busbar to the shelf.



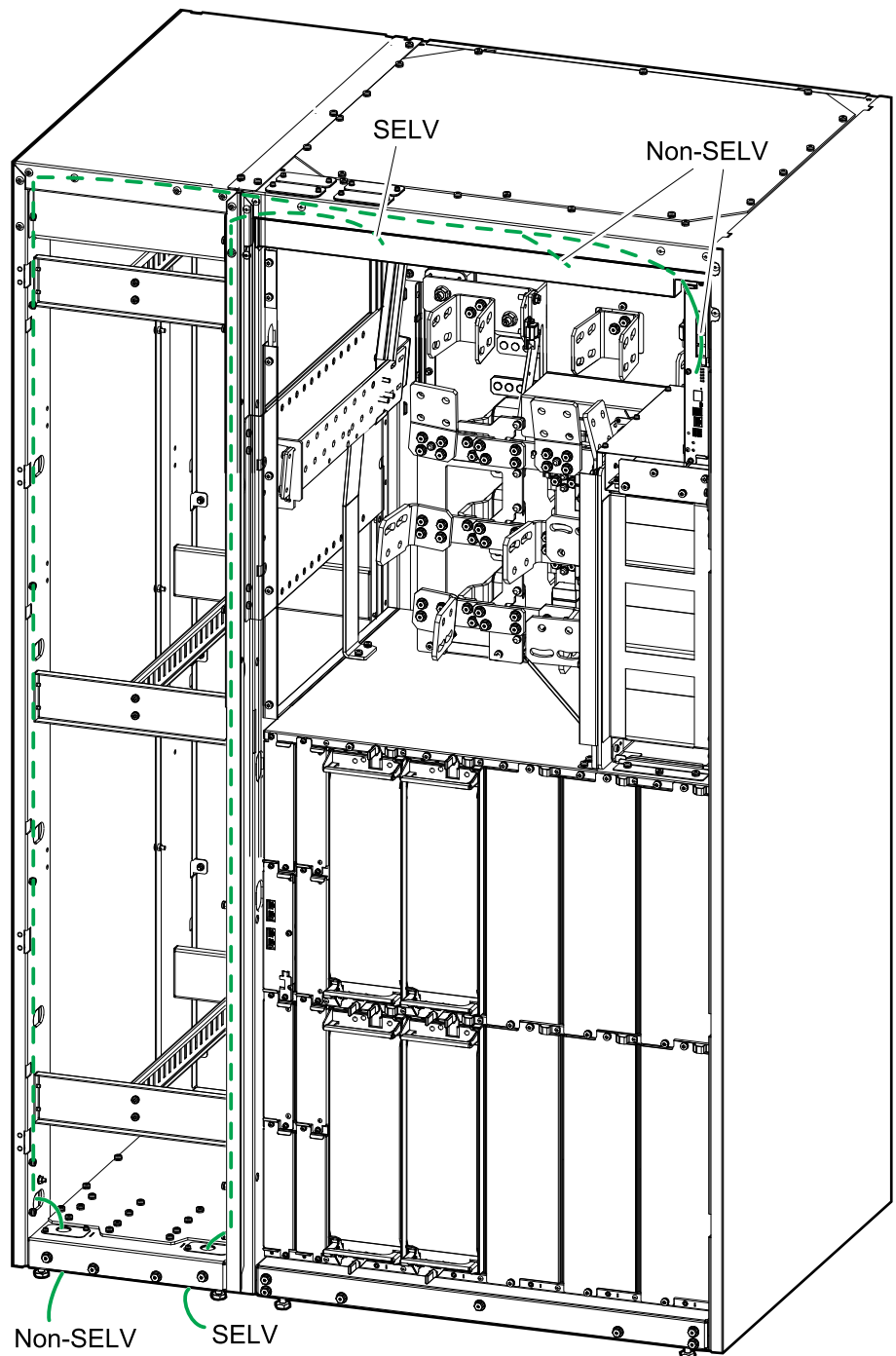
12. Install the two special screws for rear interconnection between the bottom entry cabinet and the UPS as shown.

**Front View of the Bottom Entry Cabinet and the UPS**





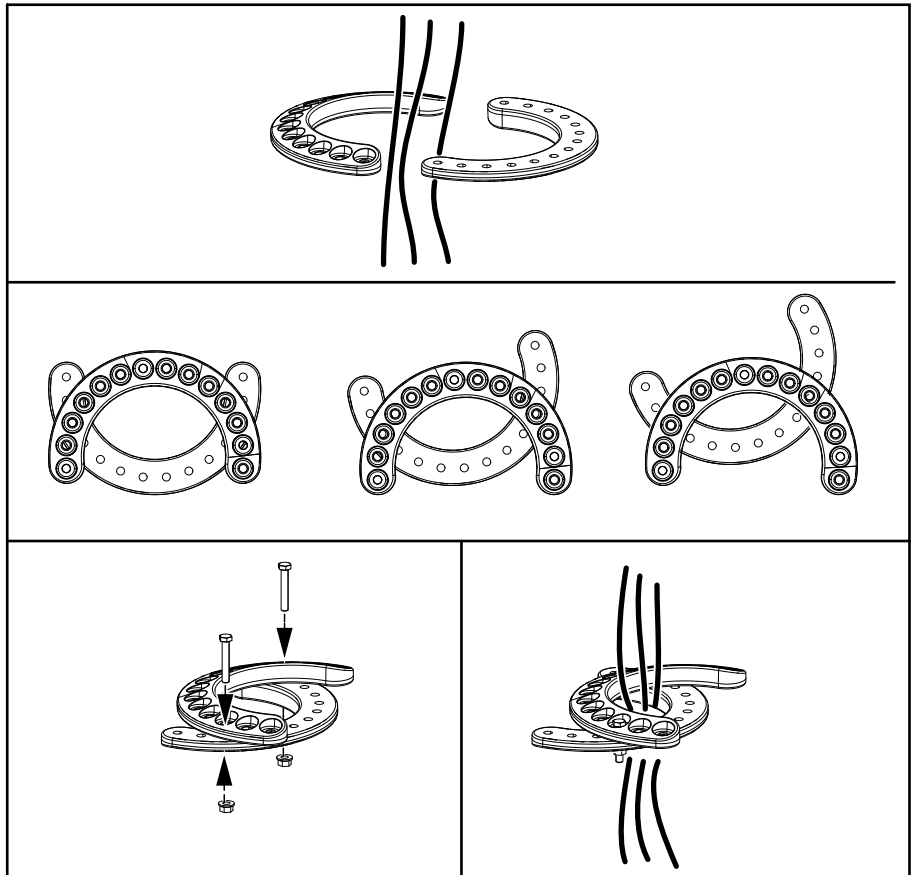
13. Route the signal cables through the bottom entry cabinet and into the UPS. Route as shown to separate the Class 2/SELV cables from the non-Class 2/non-SELV cables. A divider inside the cable channel in the UPS separates the cables. Follow the UPS installation manual to connect the signal cables.



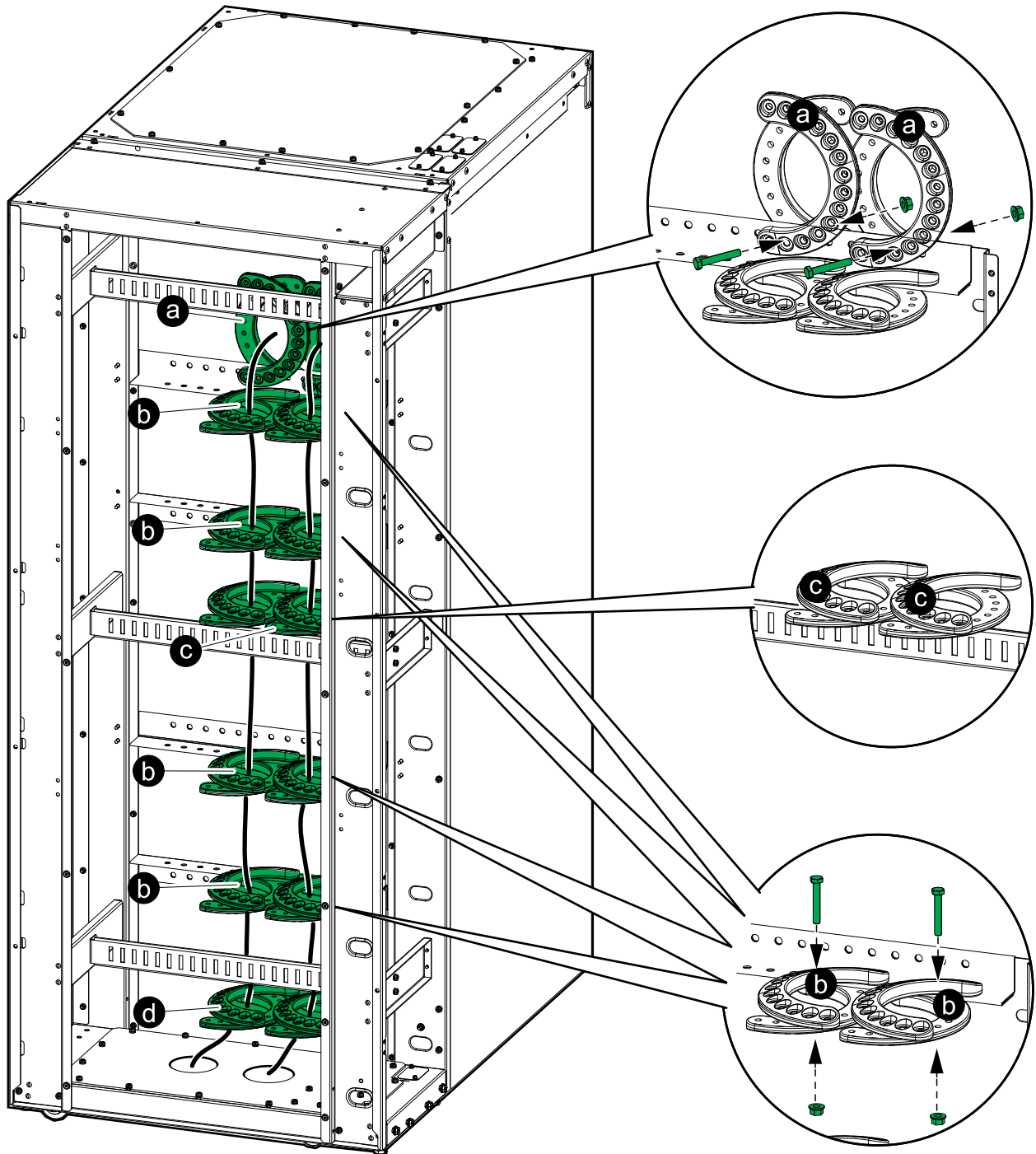
14. Route the input cables, the bypass cables, and the PE cables/equipment grounding conductor (EGC) up through the right half of the bottom entry cabinet and into the UPS.
15. Route the battery cables, the neutral cables, and the output cables up through the left half of the bottom entry cabinet and into the UPS.

16. Fasten the power cables with the provided plastic fastener sets from installation kit 0H-1816 and option kit GVLOPT012 in the shown positions in the bottom entry cabinet. Adjust the plastic fastener sets to the power cables so they are fitted as tightly together as possible. Place each plastic fastener set as described:

**Assembly of a Plastic Fastener Set**



### Left Side View of the Bottom Entry Cabinet and the UPS in a System over 45 kAIC

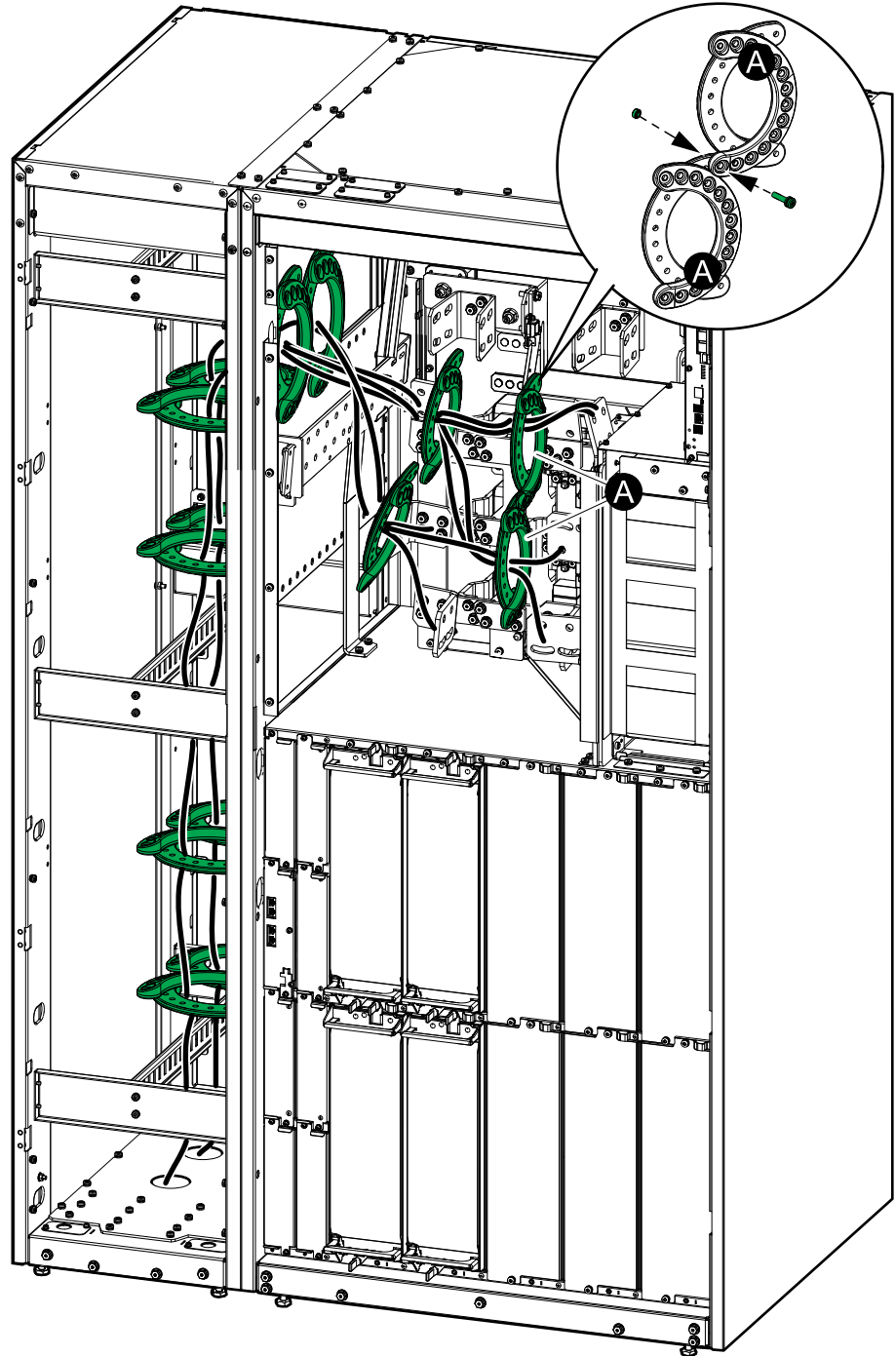


- a. Secure two plastic fastener sets in a vertical position to the side of the bottom entry cabinet with bolts and nuts.
- b. Secure eight plastic fastener sets in a horizontal position to the side of the bottom entry cabinet with bolts and nuts.
- c. Place two plastic fastener set resting on the bracket.
- d. Place two plastic fastener set between the bottom and the lowest side plate.

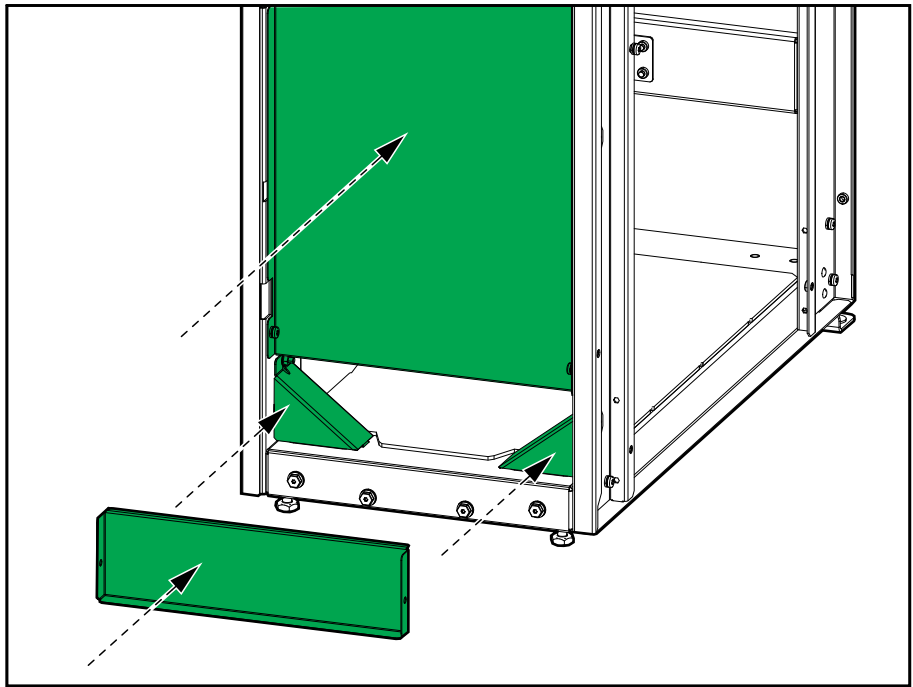
17. Follow the UPS installation manual to connect the power cables to the busbars in the UPS.

18. Fasten the power cables with four plastic fastener sets from installation kit 0H-1816 and option kit GVLOPT012 in the shown positions in the UPS. Adjust the plastic fastener sets to the power cables so they are fitted as tightly together as possible. Connect the two plastic fastener sets marked (A) together with a bolt and nut.

**Front View of the Bottom Entry Cabinet and the UPS in a System over 45 kAIC**

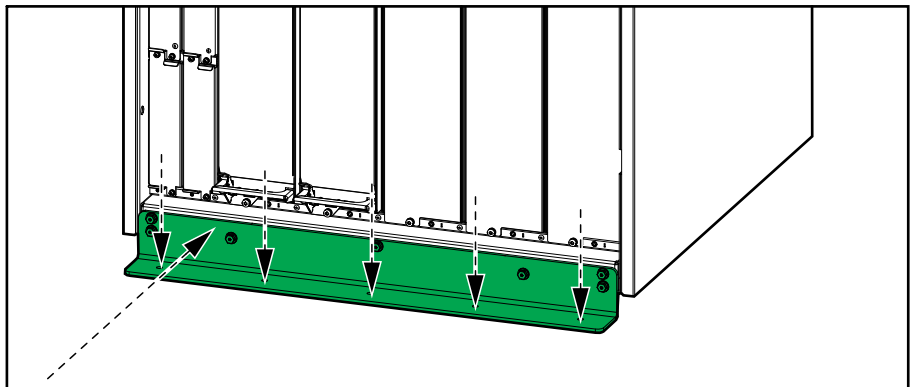


19. Reinstall the triangle covers, the lower front plate, and the middle front plate on the bottom entry cabinet.



20. **For seismic anchoring:** Install the seismic front anchoring bracket from the optional seismic kit GVLOPT002 on the UPS and the bottom entry cabinet and mount the seismic front brackets to the floor. Use appropriate hardware for the floor type – the hole diameter in the seismic front bracket is  $\varnothing 14$  mm. The minimum requirement is M12 strength grade 8.8 hardware.

#### Front View of the UPS



# Install the Bottom Entry Cabinet with the Galaxy VL UPS in System up to 45 kAIC/kA Icw

## DANGER

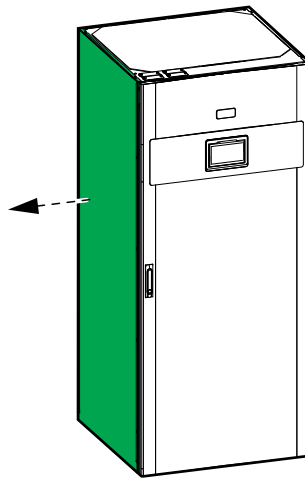
### HAZARD OF ELECTRIC SHOCK, EXPLOSION, OR ARC FLASH

Do not drill or punch holes with the gland plates installed and do not drill or punch holes in close proximity to the cabinet.

**Failure to follow these instructions will result in death or serious injury.**

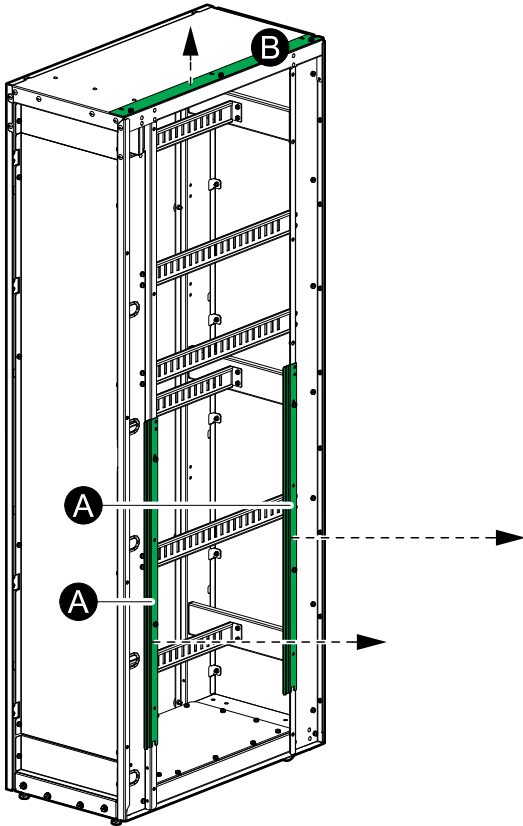
Use installation kit 0H-1818 (provided with the UPS) , and optional seismic kit GVLOPT002 (sold separately, if applicable) for this procedure.

1. Remove the left side panel from the UPS.

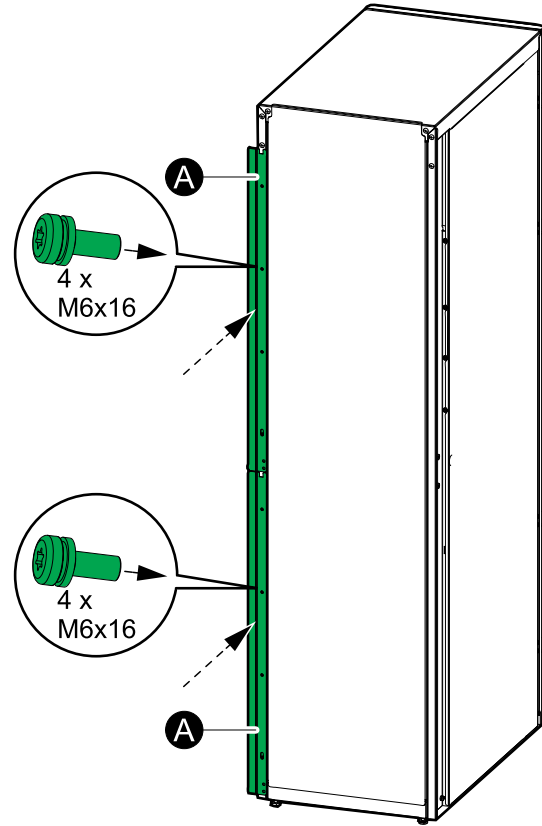


2. Remove the brackets (A) and (B) from the bottom entry cabinet. Install the brackets (A) on the rear of the bottom entry cabinet. Save the bracket (B) for top interconnection with the UPS.

Front View of the Bottom Entry Cabinet

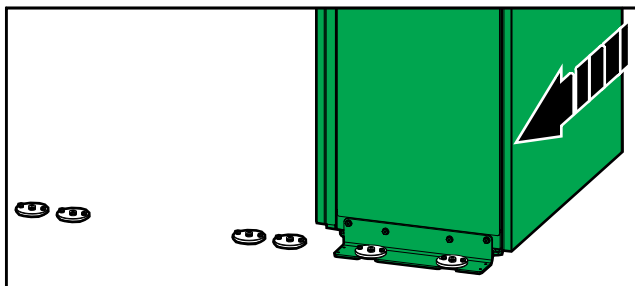


Rear View of the Bottom Entry Cabinet

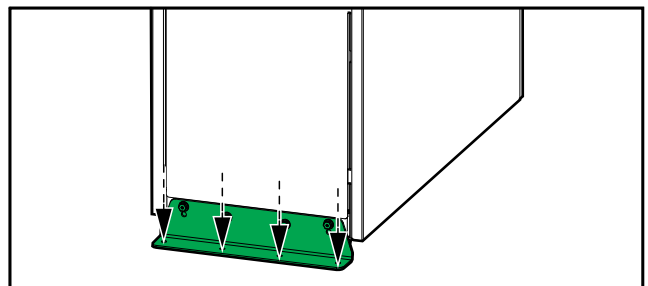


3. Push the bottom entry cabinet into final position. Align with seismic anchoring, if present. For systems without seismic anchoring, reinstall the rear transportation bracket on the rear of the bottom entry cabinet and mount it to the floor.

Rear View with Seismic Anchoring



Rear View without Seismic Anchoring



4. Lower the front and rear leveling feet on the bottom entry cabinet with a wrench until they connect with the floor. The casters must not have contact with the floor. Use a bubble-leveler to check that the bottom entry cabinet is level.

***NOTICE***

**RISK OF EQUIPMENT DAMAGE**

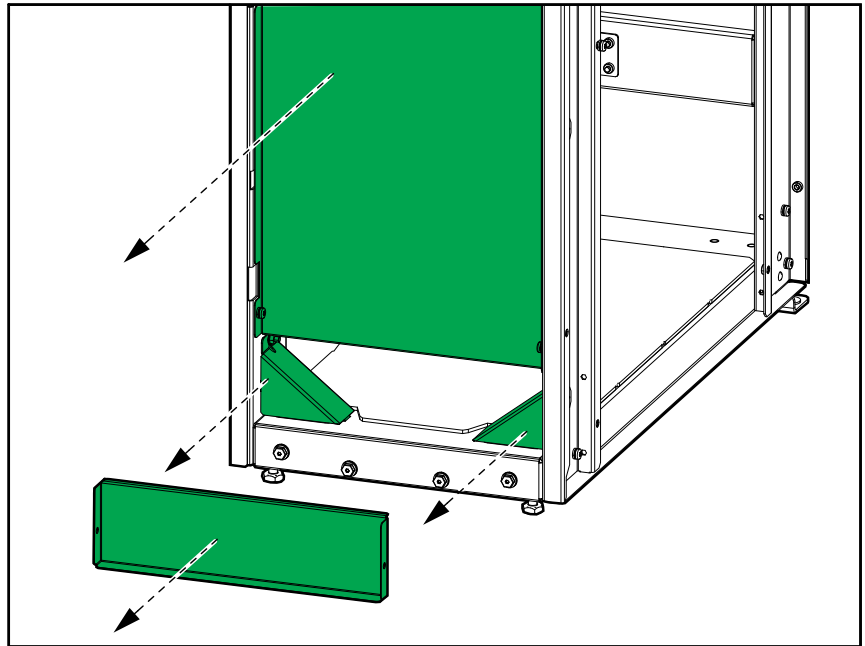
Do not move the cabinet after the leveling feet have been lowered.

**Failure to follow these instructions can result in equipment damage.**

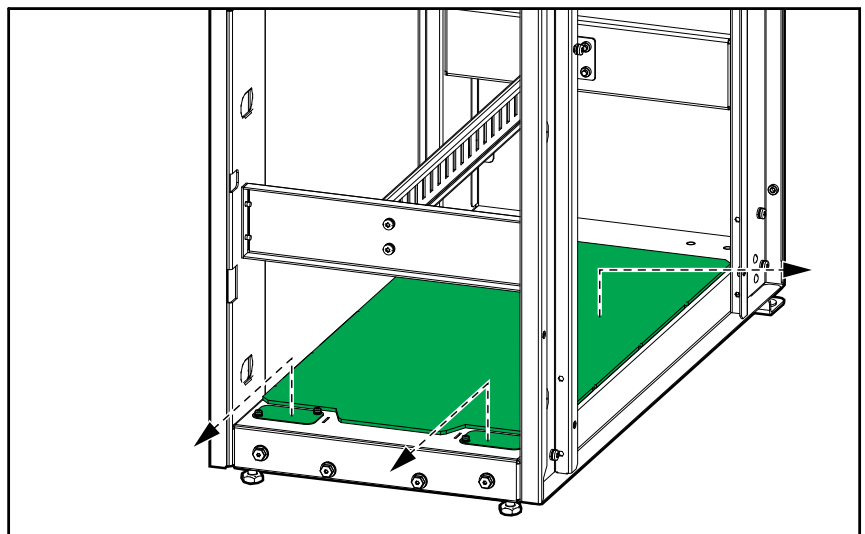


5. Prepare for power and signal cables:

- a. Remove the middle front plate, the lower front plate, and the triangle covers from the bottom entry cabinet.



- b. Remove the gland plates for the signal cables and the gland plate for the power cables.



- c. Remove the two casters from the gland plate for power cables.
  - d. Drill/punch holes for cables or conduits/grommets in the gland plates. Install conduits/grommets (not provided), if applicable.
  - e. Reinstall the gland plates. Save the triangle covers, the lower front plate, and the middle front plate for final installation.
6. Push the UPS into position next to the bottom entry cabinet. Align with seismic anchoring, if present.

- Lower the front and rear leveling feet on the UPS with a wrench until they connect with the floor. The casters must not have contact with the floor. Use a bubble-leveler to check that the UPS is level.

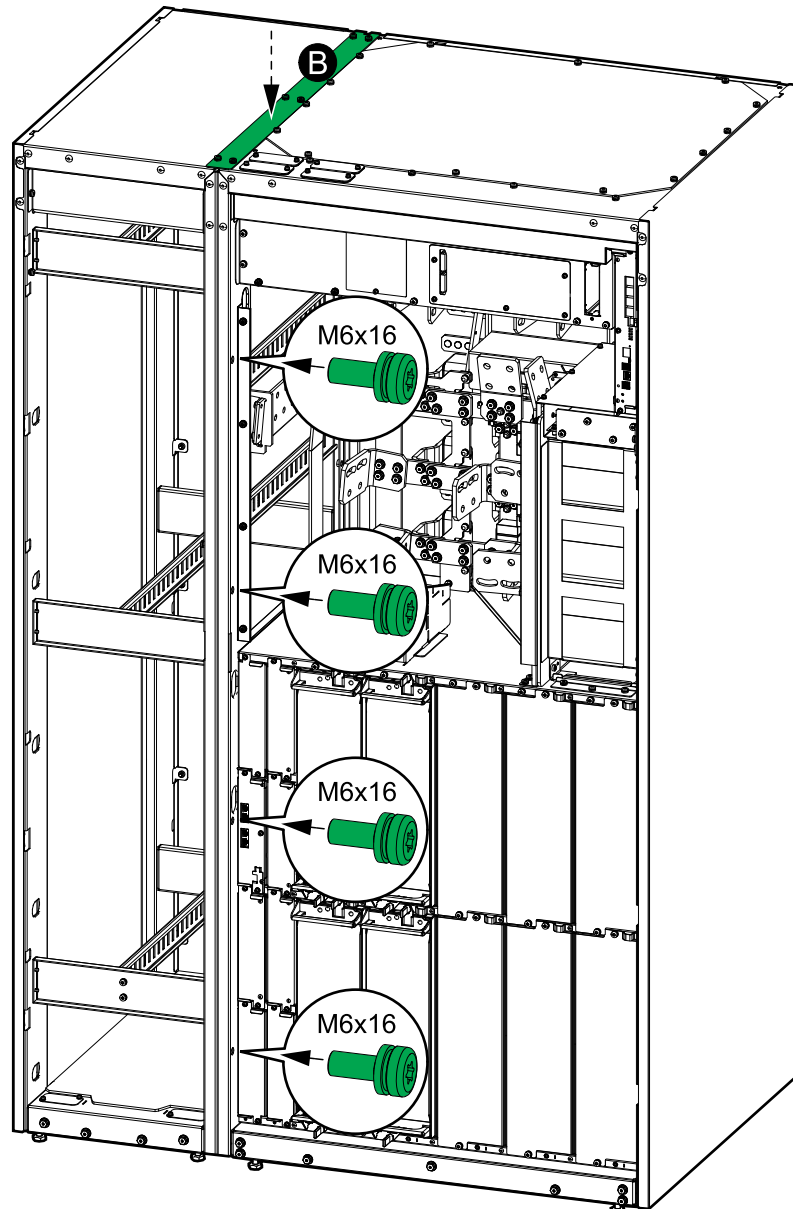
## NOTICE

### RISK OF EQUIPMENT DAMAGE

Do not move the cabinet after the leveling feet have been lowered.

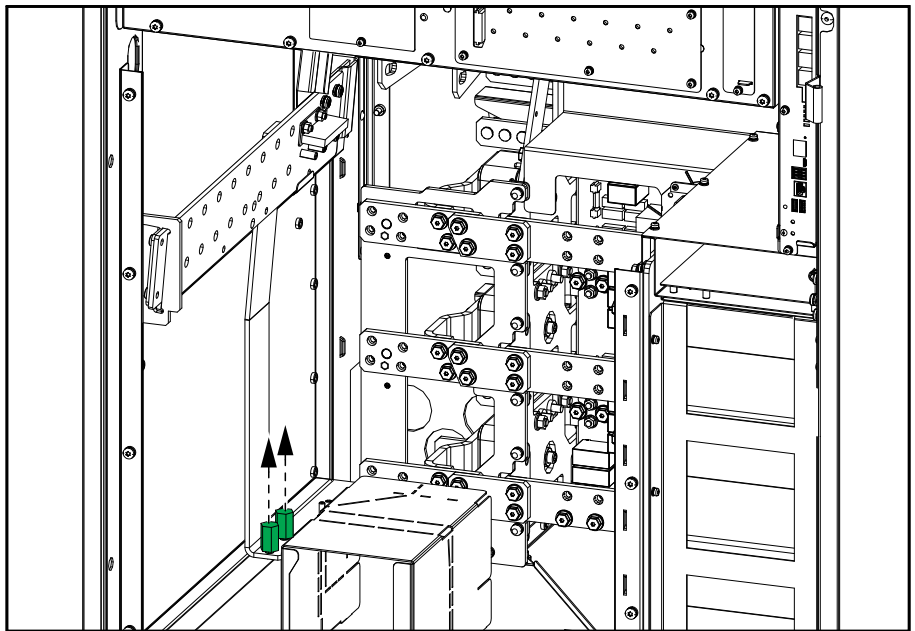
**Failure to follow these instructions can result in equipment damage.**

- Interconnect the bottom entry cabinet and the UPS in the front with screws as shown and install the top bracket (marked (B) on the illustration). The top bracket was removed from the top of the bottom entry cabinet in step 2.

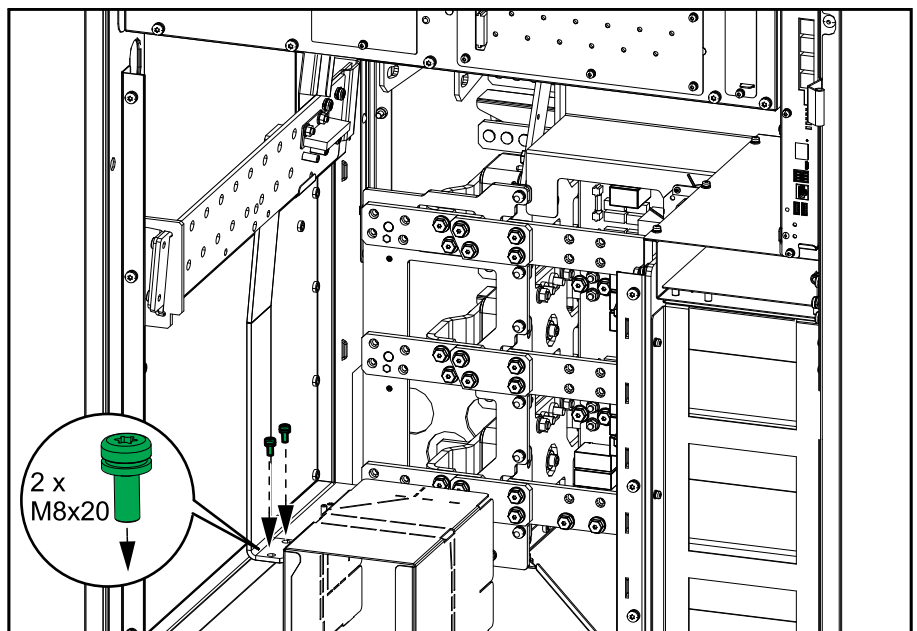


9. Remove the two special screws from the copper busbar in the UPS.

### Front View of the UPS

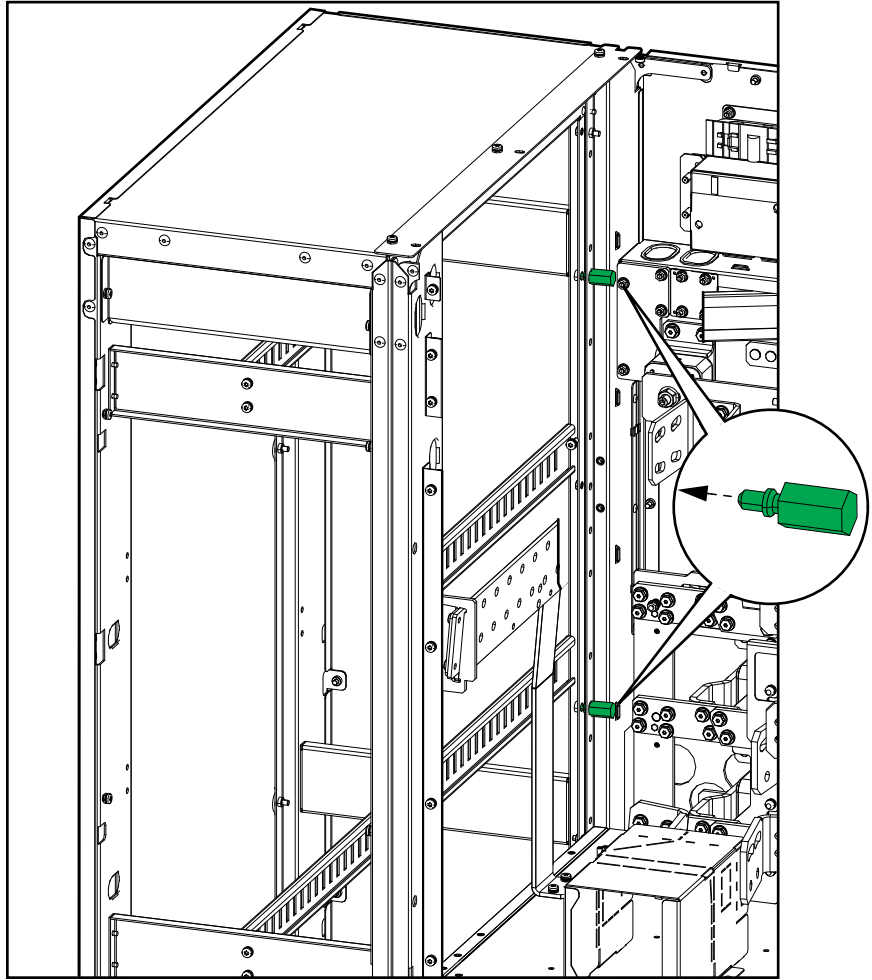


10. Install two screws from installation kit 0H-1818 to refasten the copper busbar to the shelf.

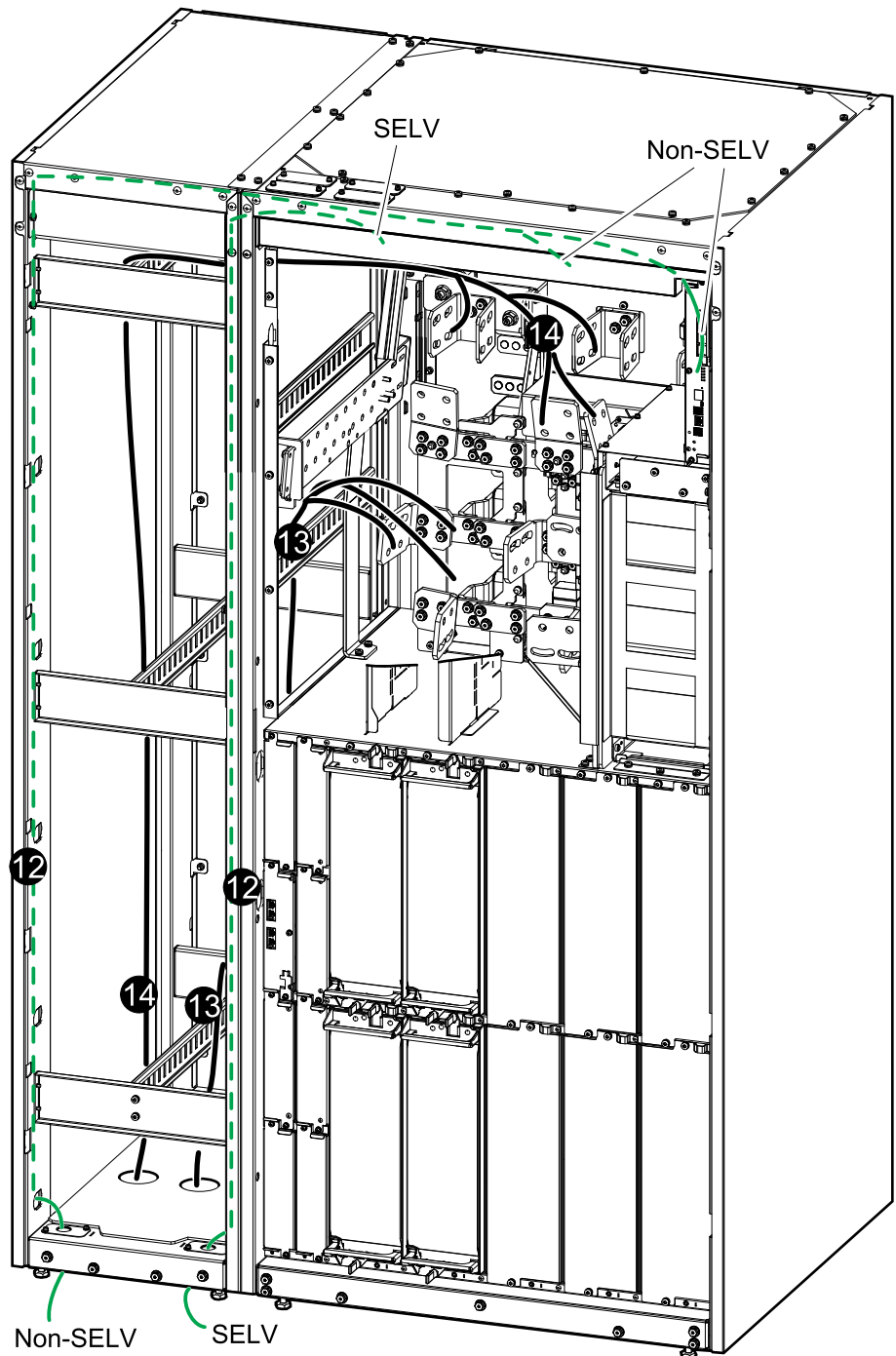


11. Install the two special screws for rear interconnection between the bottom entry cabinet and the UPS as shown.

**Front View of the Bottom Entry Cabinet and the UPS**

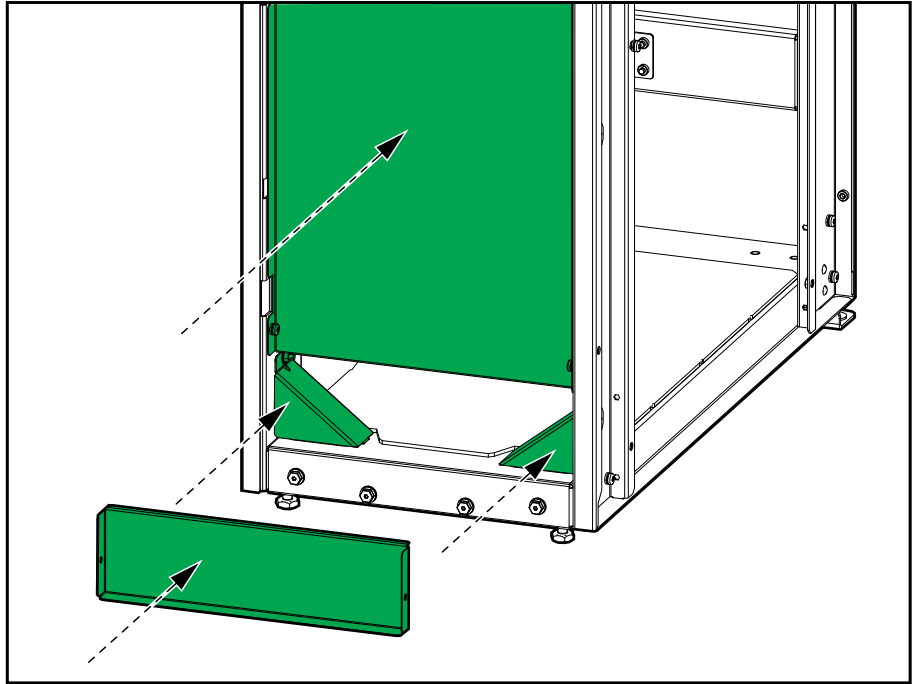


12. Route the signal cables through the bottom entry cabinet and into the UPS. Route as shown to separate the Class 2/SELV cables from the non-Class 2/non-SELV cables. A divider inside the cable channel in the UPS separates the cables.



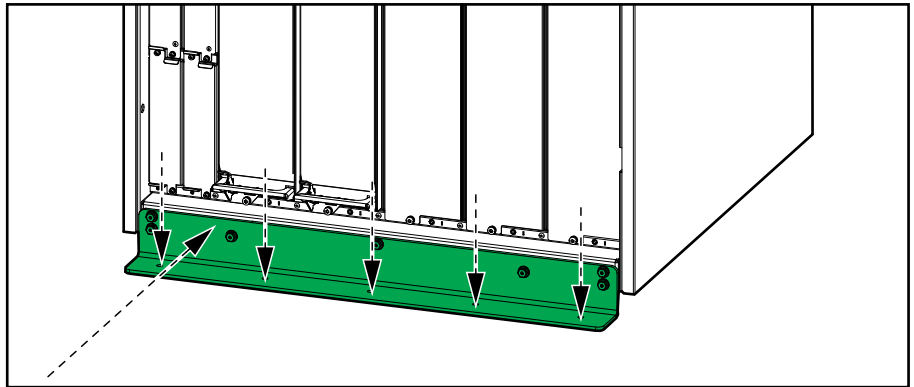
13. Route the input cables, the bypass cables, and the PE cables/equipment grounding conductor (EGC) up through the right half of the bottom entry cabinet and into the UPS as shown.
14. Route the battery cables, the neutral cables, and the output cables up through the left half of the bottom entry cabinet and into the UPS as shown.

15. Reinstall the triangle covers, the lower front plate, and the middle front plate on the bottom entry cabinet.



16. **For seismic anchoring:** Install the seismic front anchoring bracket from the optional seismic kit GVLOPT002 on the UPS and the bottom entry cabinet and mount the seismic front brackets to the floor. Use appropriate hardware for the floor type – the hole diameter in the seismic front bracket is  $\varnothing 14$  mm. The minimum requirement is M12 strength grade 8.8 hardware.

#### Front View of the UPS



17. Follow the UPS installation manual to connect the power cables.

# Install the Bottom Entry Cabinet with the Easy UPS 3L

## **⚡⚠ DANGER**

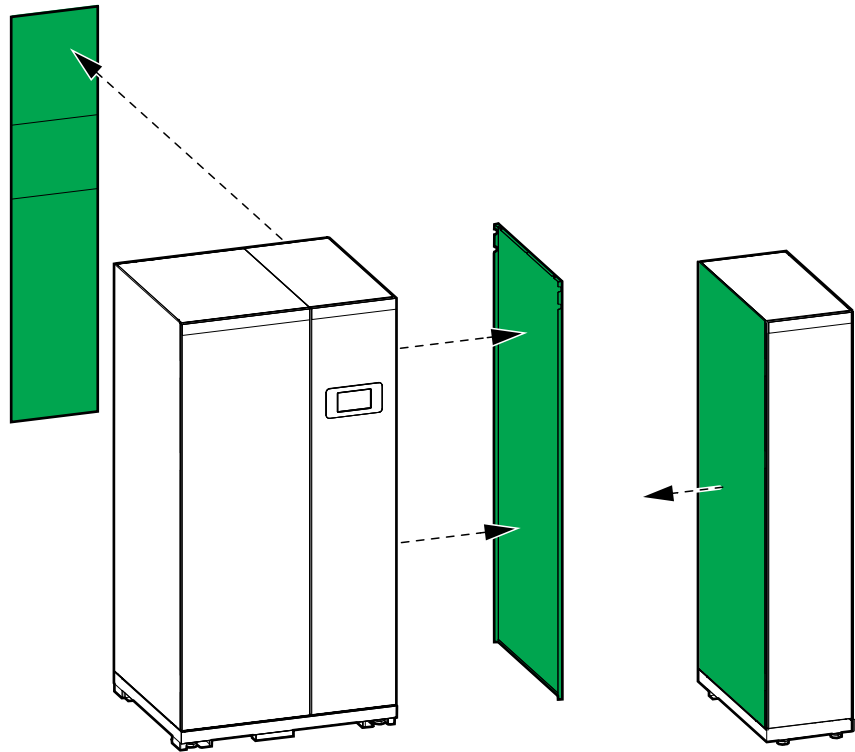
### **HAZARD OF ELECTRIC SHOCK, EXPLOSION, OR ARC FLASH**

Do not drill or punch holes with the gland plates installed and do not drill or punch holes in close proximity to the cabinet.

**Failure to follow these instructions will result in death or serious injury.**

1. Place the UPS in the final location with a forklift.
2. Remove the right side panel and the three rear plates from the UPS. Remove the left side panel from the bottom entry cabinet.

### **The UPS and the Bottom Entry Cabinet**



3. Push the bottom entry cabinet into final position on the right side of the UPS.
4. Lower the front and rear leveling feet on the bottom entry cabinet with a wrench until they connect with the floor. The casters must not have contact with the floor. Use a bubble-leveler to check that the bottom entry cabinet is level.

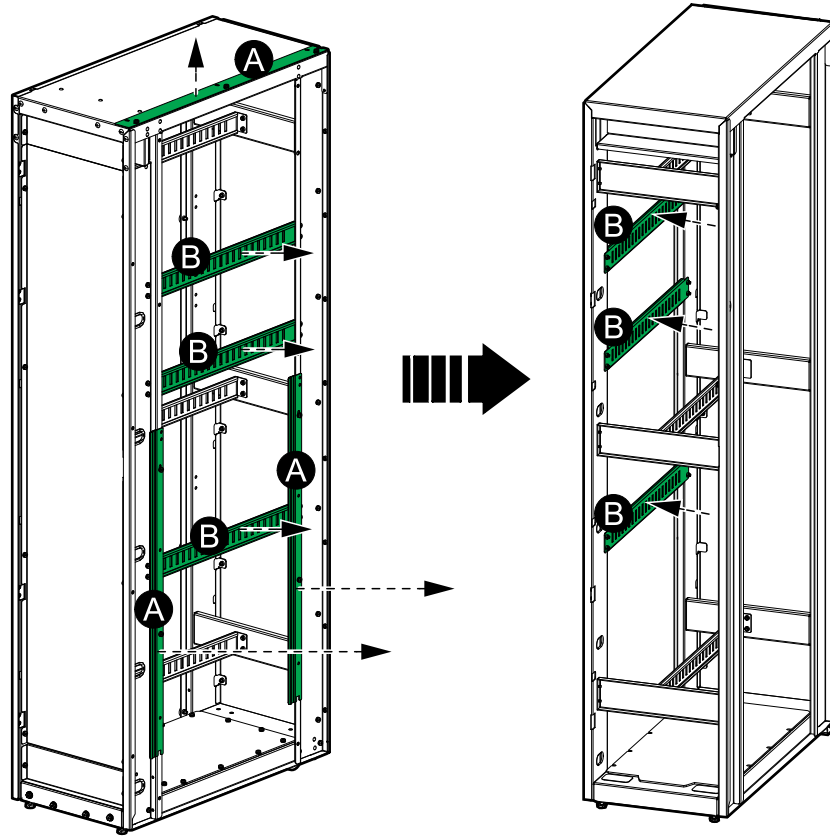
## **NOTICE**

### **RISK OF EQUIPMENT DAMAGE**

Do not move the cabinet after the leveling feet have been lowered.

**Failure to follow these instructions can result in equipment damage.**

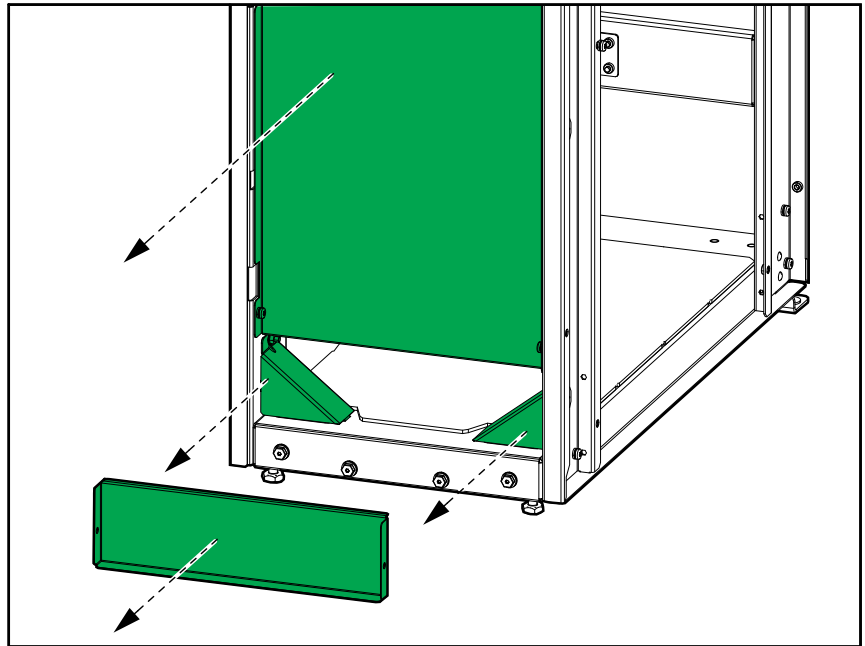
5. Remove the brackets (A) from the bottom entry cabinet and discard the brackets (A). Remove the cable reliefs (B) and reinstall the cable reliefs (B) in new position.



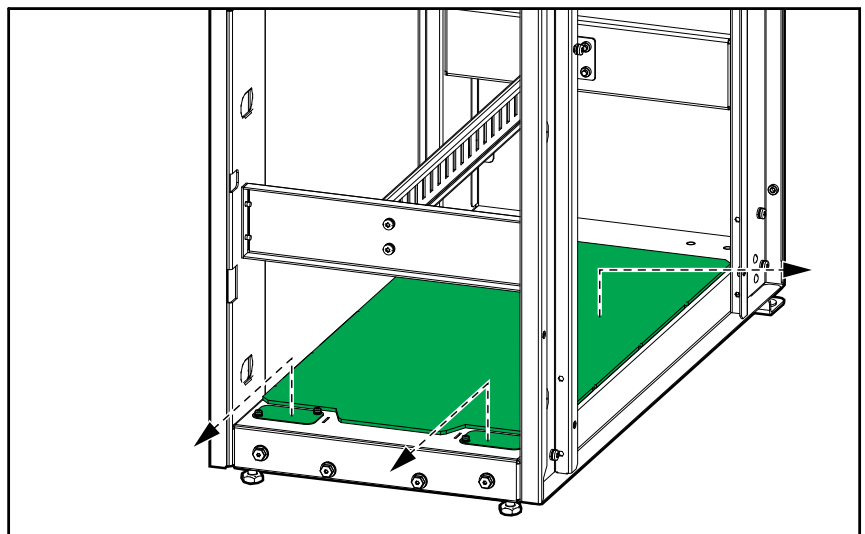


6. Prepare for power and signal cables:

- a. Remove the middle front plate, the lower front plate, and the triangle covers from the bottom entry cabinet.

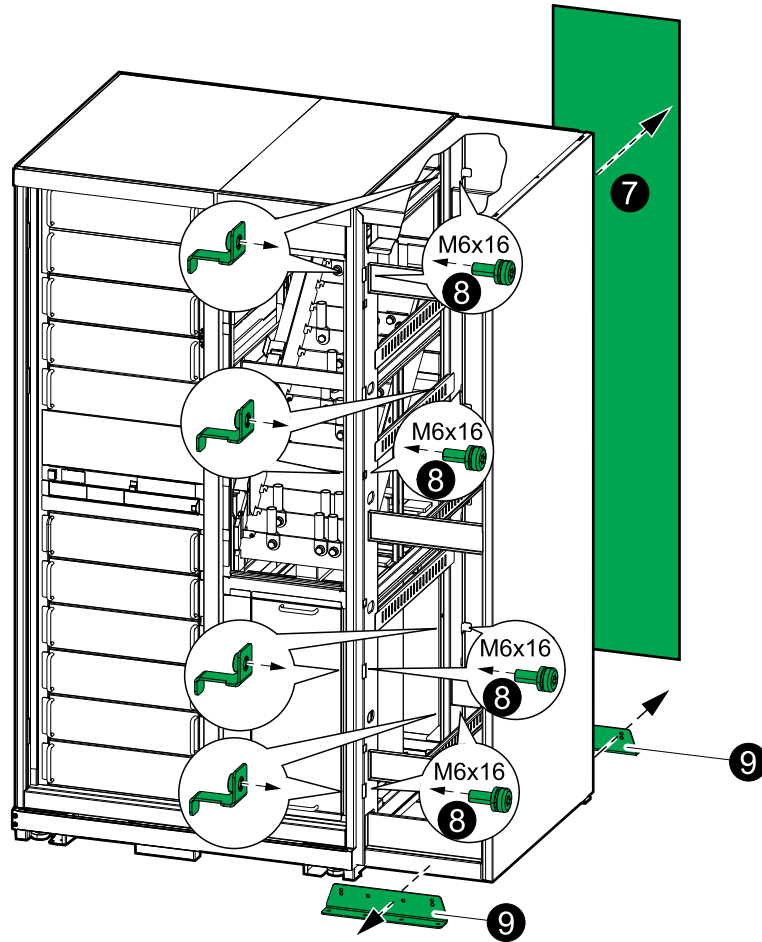


- b. Remove the gland plates for the signal cables and the gland plate for the power cables.



- c. Remove the two casters from the gland plate for the power cables.
- d. Drill/punch holes for cables or conduits/grommets in the gland plates. Install conduits/grommets (not provided), if applicable.
- e. Reinstall the gland plates. Save the triangle covers, the lower front plate, and the middle front plate for final installation.

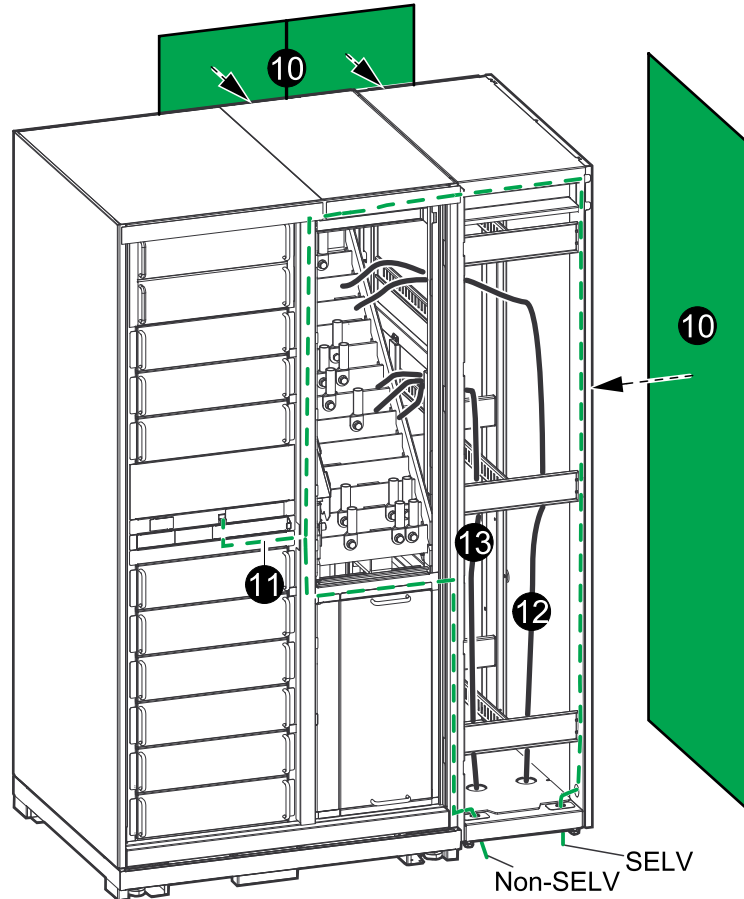
7. Remove the rear plate from the bottom entry cabinet.



8. Interconnect the bottom entry cabinet and the UPS in the front and rear with screws and the provided special nuts as shown.

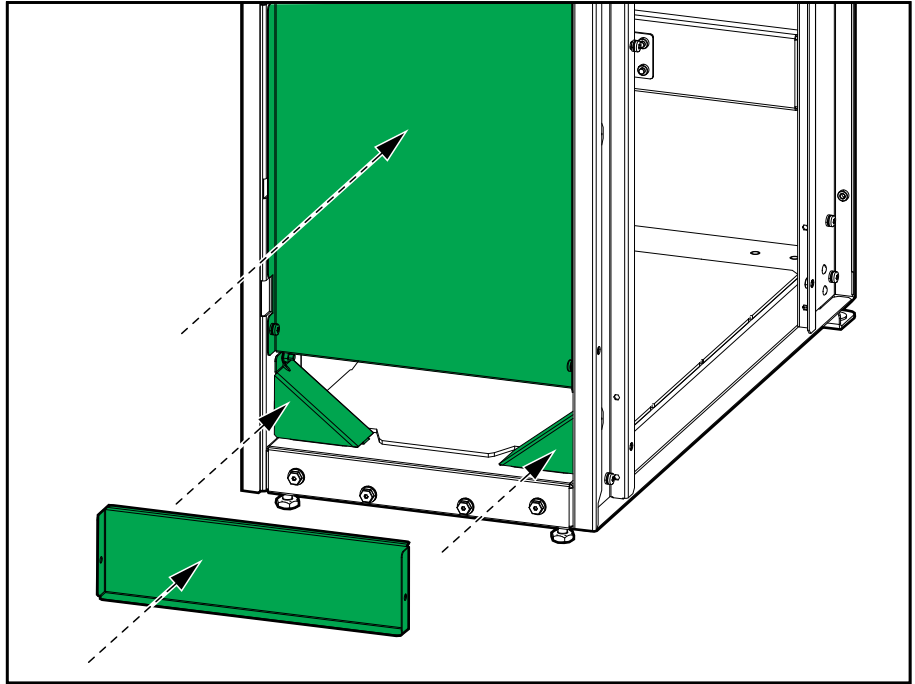
9. Remove the front and rear transportation brackets from the bottom entry cabinet after the interconnection is complete.

10. Reinstall the rear plates on the UPS and on the bottom entry cabinet. Install the side panel on the right side of the bottom entry cabinet. The side panel was removed from the left side of the bottom entry cabinet in step 2.



11. Route the signal cables through the bottom entry cabinet and into the UPS. Route as shown to separate the Class 2/SELV cables from the non-Class 2/non-SELV cables.
12. Route the input cables, the battery cables, the neutral cables, and the PE cables up through the right half of the bottom entry cabinet and into the UPS as shown. Use soft copper power cables.
13. Route the bypass cables and the output cables up through the left half of the bottom entry cabinet and into the UPS as shown. Use soft copper power cables.


14. Reinstall the triangle covers, the lower front plate, and the middle front plate on the bottom entry cabinet.




15. Follow the UPS installation manual to connect the power cables.

# Decommission or Move the Bottom Entry Cabinet to a New Location

1. Shut down the UPS completely – follow the instructions in the UPS operation manual.
2. Lockout/Tagout all breakers in the switchgear in the OFF (open) position.
3. Lockout/Tagout all battery breakers in the switchgear/battery solution in the OFF (open) position.
4. Perform the following for the UPS. See the UPS installation manual for details.
  - a. Measure for and verify ABSENCE of voltage on each input/bypass/output/DC busbar in the UPS before continuing.

<b> DANGER</b>
<b>HAZARD OF ELECTRIC SHOCK, EXPLOSION, OR ARC FLASH</b>
Measure for and verify ABSENCE of voltage on each input/bypass/output/DC busbar before continuing.
<b>Failure to follow these instructions will result in death or serious injury.</b>

- b. Disconnect all power cables from the UPS.
  - c. Disconnect and remove any signal cables from the UPS.
5. Perform the following for the bottom entry cabinet. See *Install the Bottom Entry Cabinet with the Galaxy VL UPS in System over 45 kAIC/kA Icw*, page 14, *Install the Bottom Entry Cabinet with the Galaxy VL UPS in System up to 45 kAIC/kA Icw*, page 26, or *Install the Bottom Entry Cabinet with the Easy UPS 3L*, page 35 for details.
  - a. Remove the power cables from the bottom entry cabinet.
  - b. Remove the signal cables from the bottom entry cabinet.
  - c. Remove the interconnection hardware between the UPS and the bottom entry cabinet.
  - d. If present, remove the seismic front anchoring bracket.
  - e. Raise the feet of the bottom entry cabinet until the casters have full contact with the floor.
6. You can now move the bottom entry cabinet by rolling it over the floor on the casters.

<b> WARNING</b>
<b>TIPPING HAZARD</b>
<ul style="list-style-type: none"><li>• The casters of the bottom entry cabinet are exclusively for transport on flat, even, hard, and horizontal surfaces.</li><li>• The casters of the bottom entry cabinet are intended for transport over short distances (i.e. inside the same building).</li><li>• Move at a slow pace and pay close attention on the floor conditions and the balance of the bottom entry cabinet.</li></ul>
<b>Failure to follow these instructions can result in death, serious injury, or equipment damage.</b>

7. If present, remove the rear seismic anchoring bracket from the bottom entry cabinet and remove the seismic anchors from the floor. Save for reinstallation.
8. **For transport over longer distances or in conditions that are not suitable for the casters of the bottom entry cabinet:**

<b>⚠ WARNING</b>
<p><b>TIPPING HAZARD</b></p> <p>For transport over longer distances or in conditions that are not suitable for the casters of the bottom entry cabinet, ensure:</p> <ul style="list-style-type: none"> <li>• that personnel performing the transport have necessary skill and have received adequate training;</li> <li>• to use appropriate tools to safely lift and transport the bottom entry cabinet;</li> <li>• to protect the product against damage by using appropriate protection (like wrapping or packaging).</li> </ul> <p><b>Failure to follow these instructions can result in death, serious injury, or equipment damage.</b></p>

Transportation requirements:

- Mount the bottom entry cabinet in a vertical position in the center of a suitable pallet with minimum pallet dimensions: 800 mm x 800 mm (31.5 in x 31.5 in)). The pallet must be suitable for the weight of the bottom entry cabinet, which weighs 85 kg (188 lbs).
- Use appropriate means of fixation to mount the bottom entry cabinet to the pallet.
- The original shipping pallet in combination with the original transportation brackets can be reused, if in undamaged condition.

<b>⚠ DANGER</b>
<p><b>TIPPING HAZARD</b></p> <ul style="list-style-type: none"> <li>• The bottom entry cabinet must be appropriately fixed to the pallet immediately after being placed on the pallet.</li> <li>• The fixation hardware must be strong enough to withstand vibrations and shocks during loading, transport, and unloading.</li> </ul> <p><b>Failure to follow these instructions will result in death or serious injury.</b></p>

<b>⚠ WARNING</b>
<p><b>UNEXPECTED EQUIPMENT BEHAVIOR</b></p> <p>Do not lift the bottom entry cabinet with a forklift/pallet truck directly on the frame as it may bend or damage the frame.</p> <p><b>Failure to follow these instructions can result in death, serious injury, or equipment damage.</b></p>

9. Perform one of the following:
  - Decommission the bottom entry cabinet, OR
  - Move the bottom entry cabinet to a new location to install it.

10. **Only for installing the bottom entry cabinet in a new location:** Follow the installation manual to install the bottom entry cabinet in the new location. See Installation Procedure for Galaxy VL UPS with Bottom Entry Cabinet, page 10 or Installation Procedure for Easy UPS 3L with Bottom Entry Cabinet, page 11 for installation overview. Startup must only be performed by Schneider Electric.

 **DANGER**

**HAZARD OF ELECTRIC SHOCK, EXPLOSION, OR ARC FLASH**

Startup must only be performed by Schneider Electric.

**Failure to follow these instructions will result in death or serious injury.**

Schneider Electric  
35 rue Joseph Monier  
92500 Rueil Malmaison  
France

+ 33 (0) 1 41 29 70 00



As standards, specifications, and design change from time to time,  
please ask for confirmation of the information given in this publication.

© 2020 – 2024 Schneider Electric. All rights reserved.

990-91460C-001