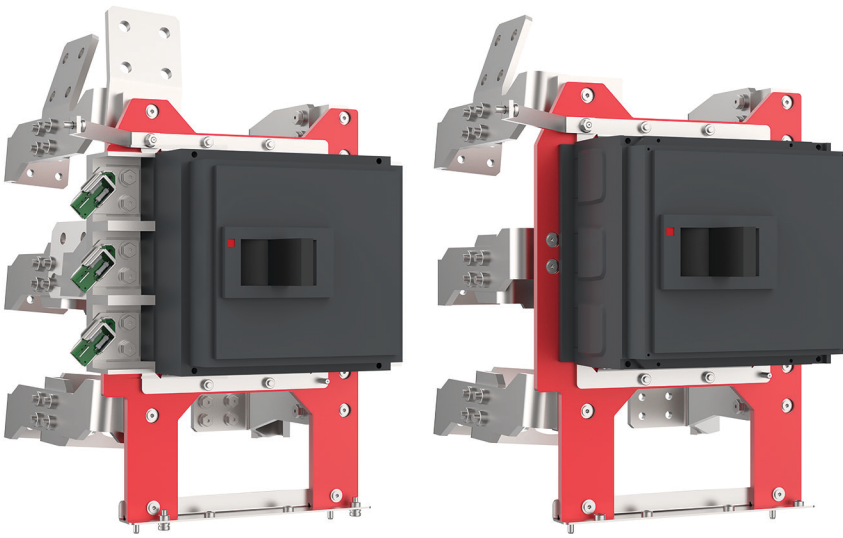


Galaxy VL

Internal Backfeed Kit for UL (GVLOPT003) and Internal Backfeed Kit for IEC (GVLOPT004)

Installation

Latest updates are available on the Schneider Electric website
5/2024



Legal Information

The information provided in this document contains general descriptions, technical characteristics and/or recommendations related to products/solutions.

This document is not intended as a substitute for a detailed study or operational and site-specific development or schematic plan. It is not to be used for determining suitability or reliability of the products/solutions for specific user applications. It is the duty of any such user to perform or have any professional expert of its choice (integrator, specifier or the like) perform the appropriate and comprehensive risk analysis, evaluation and testing of the products/solutions with respect to the relevant specific application or use thereof.

The Schneider Electric brand and any trademarks of Schneider Electric SE and its subsidiaries referred to in this document are the property of Schneider Electric SE or its subsidiaries. All other brands may be trademarks of their respective owner.

This document and its content are protected under applicable copyright laws and provided for informative use only. No part of this document may be reproduced or transmitted in any form or by any means (electronic, mechanical, photocopying, recording, or otherwise), for any purpose, without the prior written permission of Schneider Electric.

Schneider Electric does not grant any right or license for commercial use of the document or its content, except for a non-exclusive and personal license to consult it on an "as is" basis.

Schneider Electric reserves the right to make changes or updates with respect to or in the content of this document or the format thereof, at any time without notice.

To the extent permitted by applicable law, no responsibility or liability is assumed by Schneider Electric and its subsidiaries for any errors or omissions in the informational content of this document, as well as any non-intended use or misuse of the content thereof.

Table of Contents

| | |
|---|----|
| Important Safety Instructions — SAVE THESE | |
| INSTRUCTIONS | 5 |
| Safety Precautions | 6 |
| Electrical Safety | 8 |
| Specifications | 9 |
| Trip Settings | 9 |
| Torque Specifications | 9 |
| Install the Internal Backfeed Kit for UL (GVLOPT003) in a Single Mains System | 10 |
| Install the Internal Backfeed Kit for IEC (GVLOPT004) in a Single Mains System | 16 |
| Install the Internal Backfeed Kit for UL (GVLOPT003) in a Dual Mains System | 22 |
| Install the Internal Backfeed Kit for IEC (GVLOPT004) in a Dual Mains System | 28 |
| Post-Installation Checklist | 33 |

Important Safety Instructions — SAVE THESE INSTRUCTIONS

Read these instructions carefully and look at the equipment to become familiar with it before trying to install, operate, service or maintain it. The following safety messages may appear throughout this manual or on the equipment to warn of potential hazards or to call attention to information that clarifies or simplifies a procedure.



The addition of this symbol to a “Danger” or “Warning” safety message indicates that an electrical hazard exists which will result in personal injury if the instructions are not followed.



This is the safety alert symbol. It is used to alert you to potential personal injury hazards. Obey all safety messages with this symbol to avoid possible injury or death.

DANGER

DANGER indicates a hazardous situation which, if not avoided, **will result in death or serious injury.**

Failure to follow these instructions will result in death or serious injury.

WARNING

WARNING indicates a hazardous situation which, if not avoided, **could result in death or serious injury.**

Failure to follow these instructions can result in death, serious injury, or equipment damage.

CAUTION

CAUTION indicates a hazardous situation which, if not avoided, **could result in minor or moderate injury.**

Failure to follow these instructions can result in injury or equipment damage.

NOTICE

NOTICE is used to address practices not related to physical injury. The safety alert symbol shall not be used with this type of safety message.

Failure to follow these instructions can result in equipment damage.

Please Note

Electrical equipment should only be installed, operated, serviced, and maintained by qualified personnel. No responsibility is assumed by Schneider Electric for any consequences arising out of the use of this material.

A qualified person is one who has skills and knowledge related to the construction, installation, and operation of electrical equipment and has received safety training to recognize and avoid the hazards involved.

Per IEC 62040-1: "Uninterruptible power systems (UPS) -- Part 1: Safety Requirements," this equipment, including battery access, must be inspected, installed and maintained by a skilled person.

The skilled person is a person with relevant education and experience to enable him or her to perceive risks and to avoid hazards which the equipment can create (reference IEC 62040-1, section 3.102).

Safety Precautions

DANGER

HAZARD OF ELECTRIC SHOCK, EXPLOSION, OR ARC FLASH

Read all instructions in the installation manual before installing or working on this product.

Failure to follow these instructions will result in death or serious injury.

DANGER

HAZARD OF ELECTRIC SHOCK, EXPLOSION, OR ARC FLASH

Do not install the product until all construction work has been completed and the installation room has been cleaned.

Failure to follow these instructions will result in death or serious injury.

DANGER

HAZARD OF ELECTRIC SHOCK, EXPLOSION, OR ARC FLASH

The product must be installed according to the specifications and requirements as defined by Schneider Electric. It concerns in particular the external and internal protections (upstream breakers, battery breakers, cabling, etc.) and environmental requirements. No responsibility is assumed by Schneider Electric if these requirements are not respected.

Failure to follow these instructions will result in death or serious injury.

DANGER

HAZARD OF ELECTRIC SHOCK, EXPLOSION, OR ARC FLASH

The UPS system must be installed according to local and national regulations. Install the UPS system according to:

- IEC 60364 (including 60364-4-41- protection against electric shock, 60364-4-42 - protection against thermal effect, and 60364-4-43 - protection against overcurrent), **or**
- NEC NFPA 70, **or**
- Canadian Electrical Code (C22.1, Part 1)

depending on which one of the standards apply in your local area.

Failure to follow these instructions will result in death or serious injury.

⚠️⚠️ DANGER

HAZARD OF ELECTRIC SHOCK, EXPLOSION, OR ARC FLASH

- Install the product in a temperature controlled indoor environment free of conductive contaminants and humidity.
- Install the product on a non-flammable, level and solid surface (e.g. concrete) that can support the weight of the system.

Failure to follow these instructions will result in death or serious injury.

⚠️⚠️ DANGER

HAZARD OF ELECTRIC SHOCK, EXPLOSION, OR ARC FLASH

The product is not designed for and must therefore not be installed in the following unusual operating environments:

- Damaging fumes
- Explosive mixtures of dust or gases, corrosive gases, or conductive or radiant heat from other sources
- Moisture, abrasive dust, steam or in an excessively damp environment
- Fungus, insects, vermin
- Salt-laden air or contaminated cooling refrigerant
- Pollution degree higher than 2 according to IEC 60664-1
- Exposure to abnormal vibrations, shocks, and tilting
- Exposure to direct sunlight, heat sources, or strong electromagnetic fields

Failure to follow these instructions will result in death or serious injury.

⚠️⚠️ DANGER

HAZARD OF ELECTRIC SHOCK, EXPLOSION, OR ARC FLASH

Do not drill or cut holes for cables or conduits with the gland plates installed and do not drill or cut holes in close proximity to the UPS system.

Failure to follow these instructions will result in death or serious injury.

⚠️⚠️ WARNING

HAZARD OF ARC FLASH

Do not make mechanical changes to the product (including removal of cabinet parts or drilling/cutting of holes) that are not described in the installation manual.

Failure to follow these instructions can result in death, serious injury, or equipment damage.

NOTICE

RISK OF OVERHEATING

Respect the space requirements around the product and do not cover the ventilation openings when the product is in operation.

Failure to follow these instructions can result in equipment damage.

Electrical Safety

This manual contains important safety instructions that should be followed during the installation and maintenance of the UPS system.

DANGER

HAZARD OF ELECTRIC SHOCK, EXPLOSION, OR ARC FLASH

- Electrical equipment must be installed, operated, serviced, and maintained only by qualified personnel.
- Apply appropriate personal protective equipment (PPE) and follow safe electrical work practices.
- Disconnection devices for AC and DC must be provided by others, be readily accessible, and the function of the disconnect device marked for its function.
- Turn off all power supplying the UPS system before working on or inside the equipment.
- Before working on the UPS system, check for hazardous voltage between all terminals including the protective earth.
- The UPS contains an internal energy source. Hazardous voltage can be present even when disconnected from the mains supply. Before installing or servicing the UPS system, ensure that the units are OFF and that mains and batteries are disconnected. Wait five minutes before opening the UPS to allow the capacitors to discharge.
- The UPS must be properly earthed/grounded and due to a high leakage current, the earthing/grounding conductor must be connected first.

Failure to follow these instructions will result in death or serious injury.

Specifications

Trip Settings

| | Galaxy VL internal backfeed kit for UL (GVLOPT003) | Galaxy VL internal backfeed kit for IEC (GVLOPT004) |
|-------------------------------------|--|---|
| Breaker type | PLF34080CU33AAC | NS1000H (33473) |
| I _r | 1 | 0.95 |
| t _r | ≥4 | ≥4 |
| I _{li} (x I _n) | ≤10 | ≤10 |

Torque Specifications

| Bolt size | Torque |
|-----------|-------------------------------------|
| M6 | 5 Nm (3.69 lb-ft / 44.3 lb-in) |
| M8 | 17.5 Nm (12.91 lb-ft / 154.9 lb-in) |
| M10 | 30 Nm (22 lb-ft / 194.7 lb-in) |
| M12 | 50 Nm (36.87 lb-ft / 442.5 lb-in) |

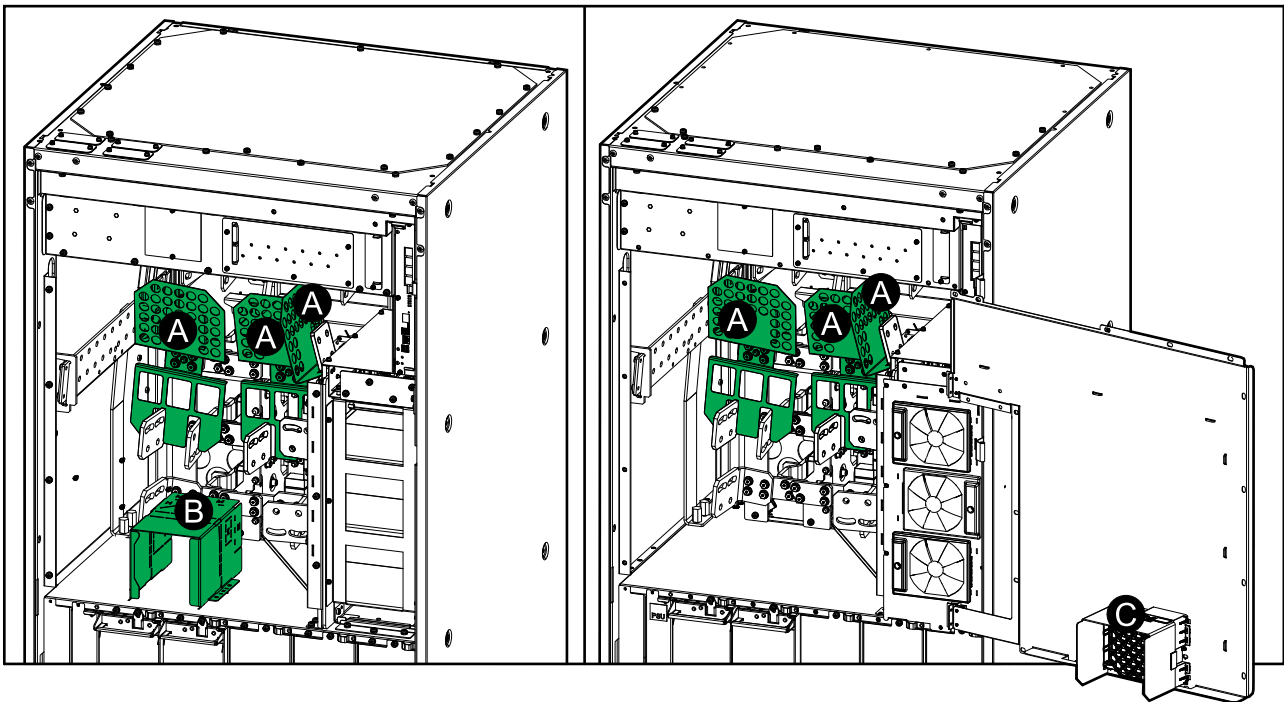
Install the Internal Backfeed Kit for UL (GVLOPT003) in a Single Mains System

NOTE: Install the backfeed kit in the UPS **before** the power cables are installed in the UPS. Follow the UPS installation manual on how to prepare for installation.

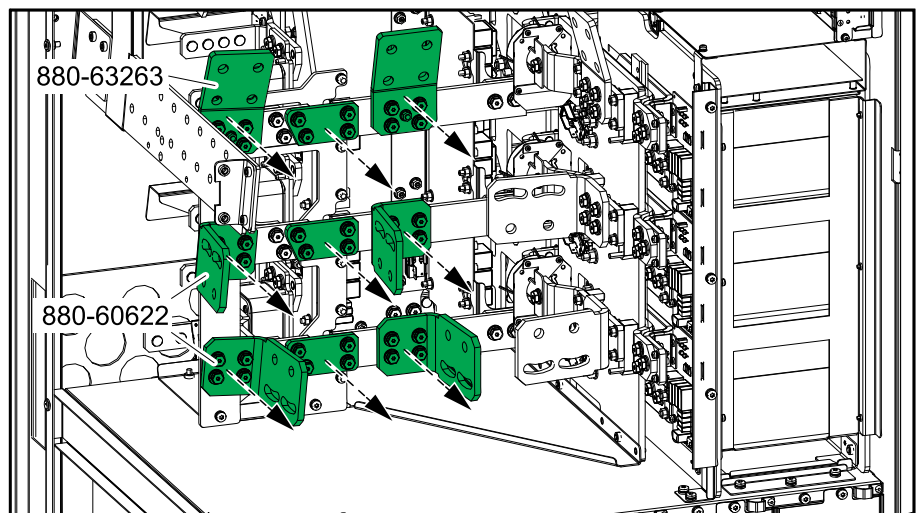
1. Remove the transparent plastic protectors (marked (A) on the illustration) from the busbars. If present, remove the plastic box (marked (B) on the illustration). Save all parts for reinstallation.

NOTE: On newer UPS models, the box (marked (C) on the illustration) is integrated in the inner door of the UPS instead of being a separate part. The integrated box must not be removed from the inner door. The integrated box does not need modification to fit with the backfeed kit.

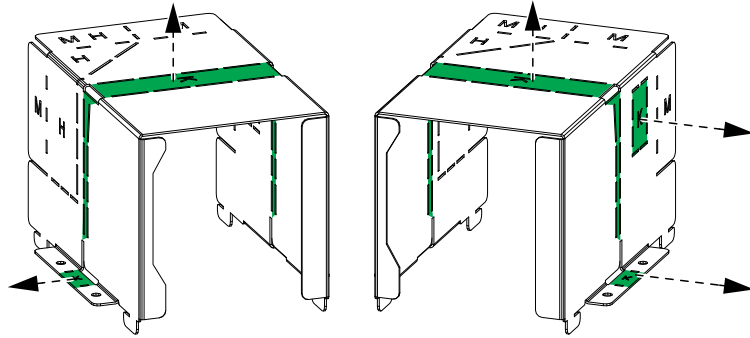
Front View of the UPS Model with Separate Plastic Box and the UPS Model with Box Integrated in the Inner Door



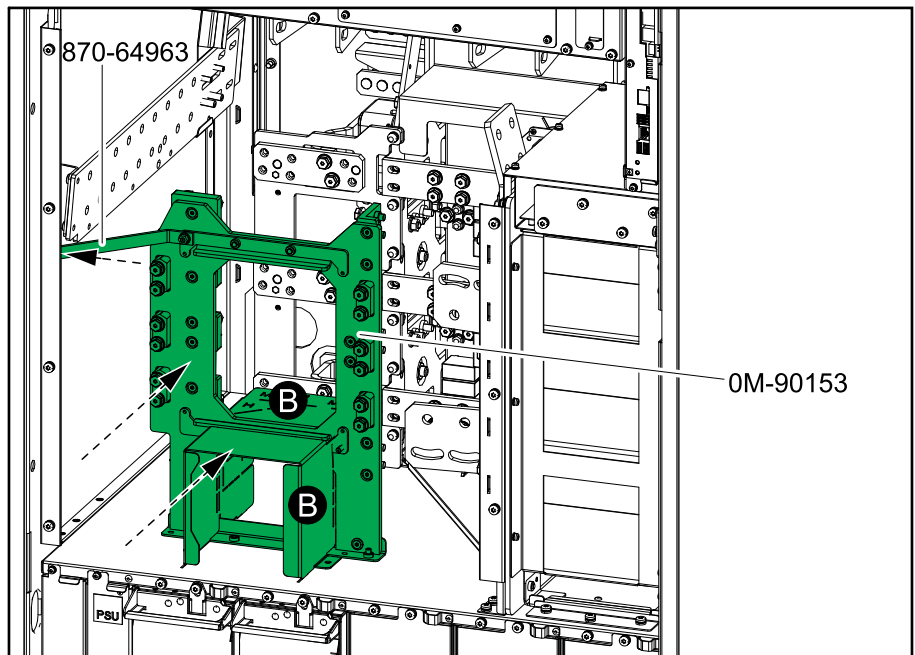
2. Remove the input busbars (880-63263 and 880-60622), the bypass busbars, and the single mains busbars. Save the input busbars (880-63263 and 880-60622) for reinstallation and save the bypass busbars and single mains busbars for later use.



3. **Only for UPS with the plastic box as a separate part:** Cut away the K zone parts on the plastic box. After cutting, the plastic box will be in two pieces. Skip this step if the box is integrated in the inner door of the UPS.



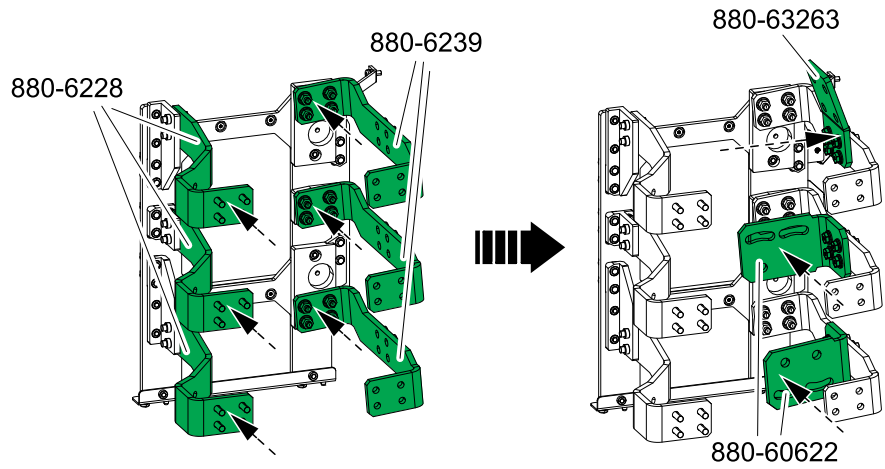
4. Install the backfeed kit frame (0M-90153). Connect the small bracket (870-64963) from the backfeed kit frame to the corner pillar of the UPS. Use the provided M6x16 screws and M6 nuts.



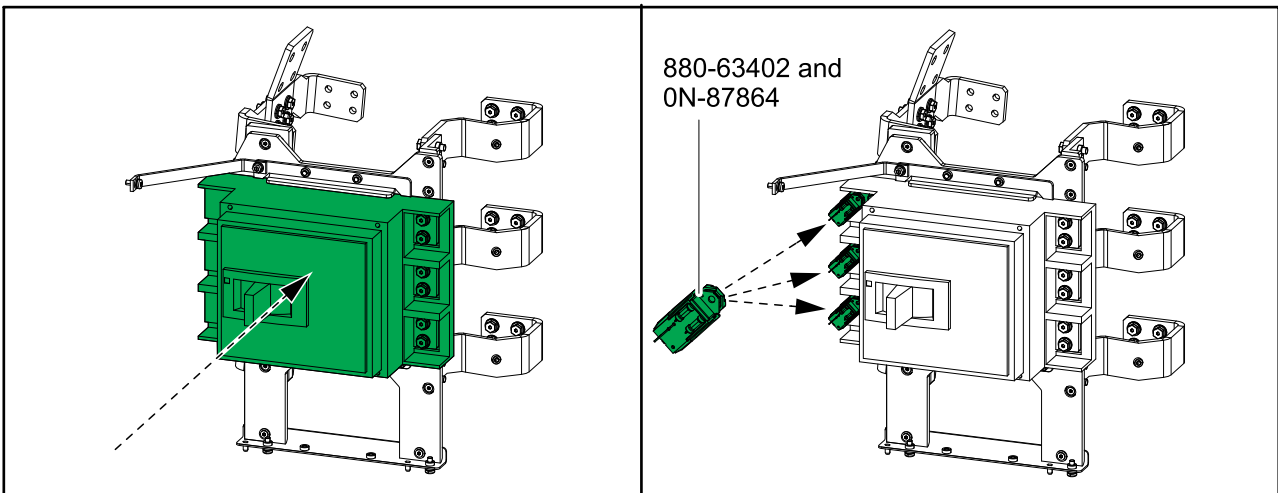
5. **Only for UPS with the plastic box as a separate part:** Reinstall the two plastic box pieces (marked (B) on the illustration). Skip this step if the box is integrated in the inner door of the UPS.

6. Install the six backfeed kit busbars (880-6228 and 880-6239) and the three input busbars (880-63263 and 880-60622) on the backfeed kit frame and connect to the busbars in the UPS. The input busbars were removed from the UPS in step 2.

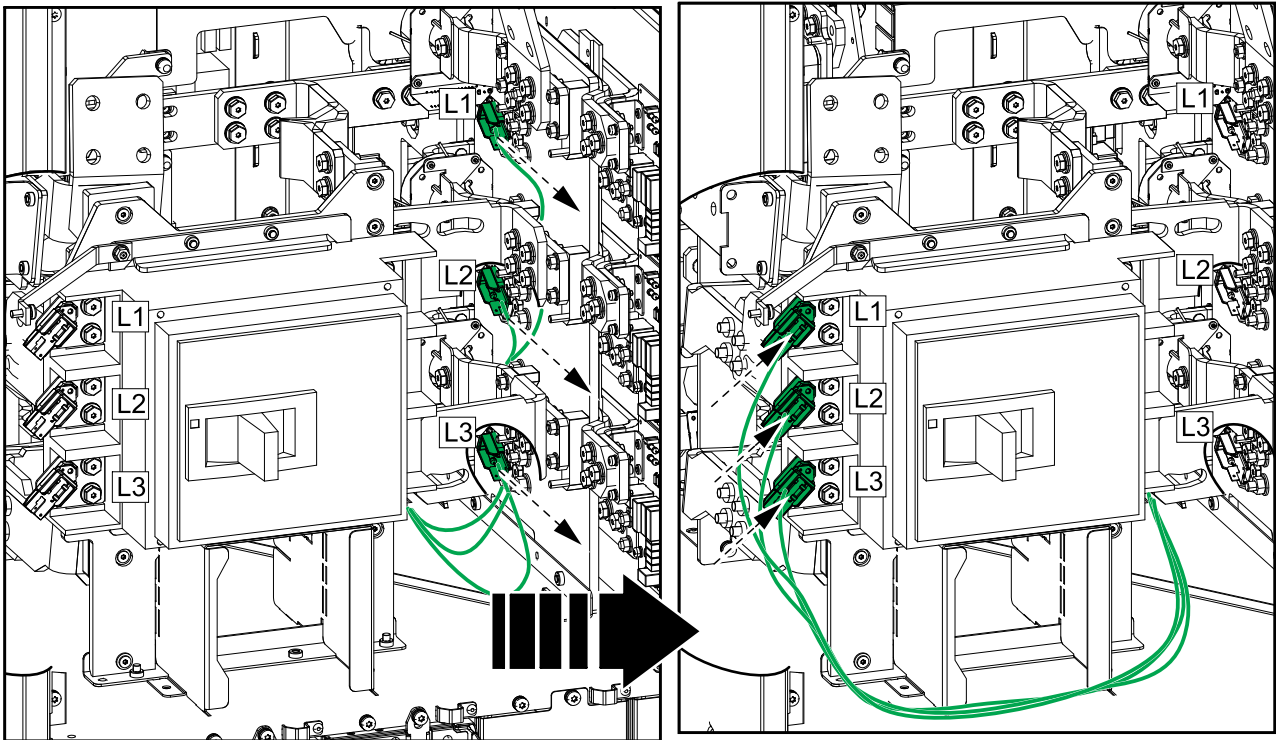
Rear View



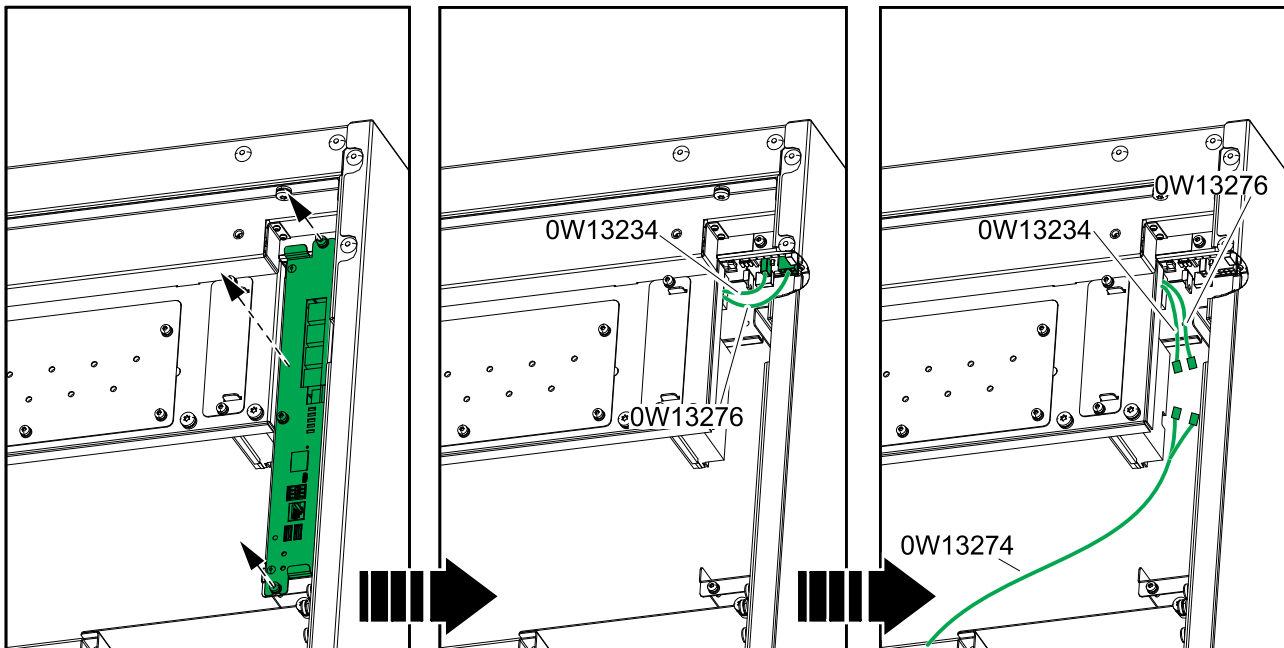
7. Follow the UPS installation manual to connect the power cables. Note that the input busbars are now located on the backfeed kit assembly.
8. Install the circuit breaker and the service measurement boards (880-63402 and 0N-87864) on the backfeed kit frame assembly with the provided M6x16 screws.



9. Disconnect the preconnected signal cables from the existing service measurement boards on the side of the static bypass switch. Connect the signal cables to the new service measurement boards on the backfeed breaker. The signal cables will make a click when connected properly.

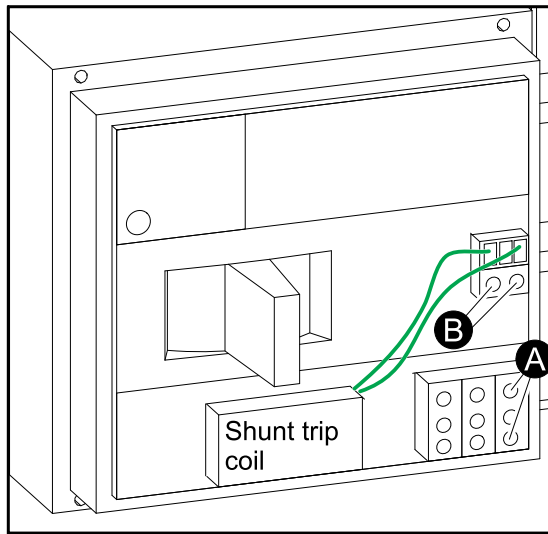


10. Remove the system level controller and disconnect the preconnected signal cables 0W13234 and 0W13276 from board 0P4828.



11. Connect the provided signal cable 0W13274 to the signal cables 0W13234 and 0W13276. Reinstall the system level controller and fasten with the three screws.
12. Remove the front cover from the backfeed breaker.

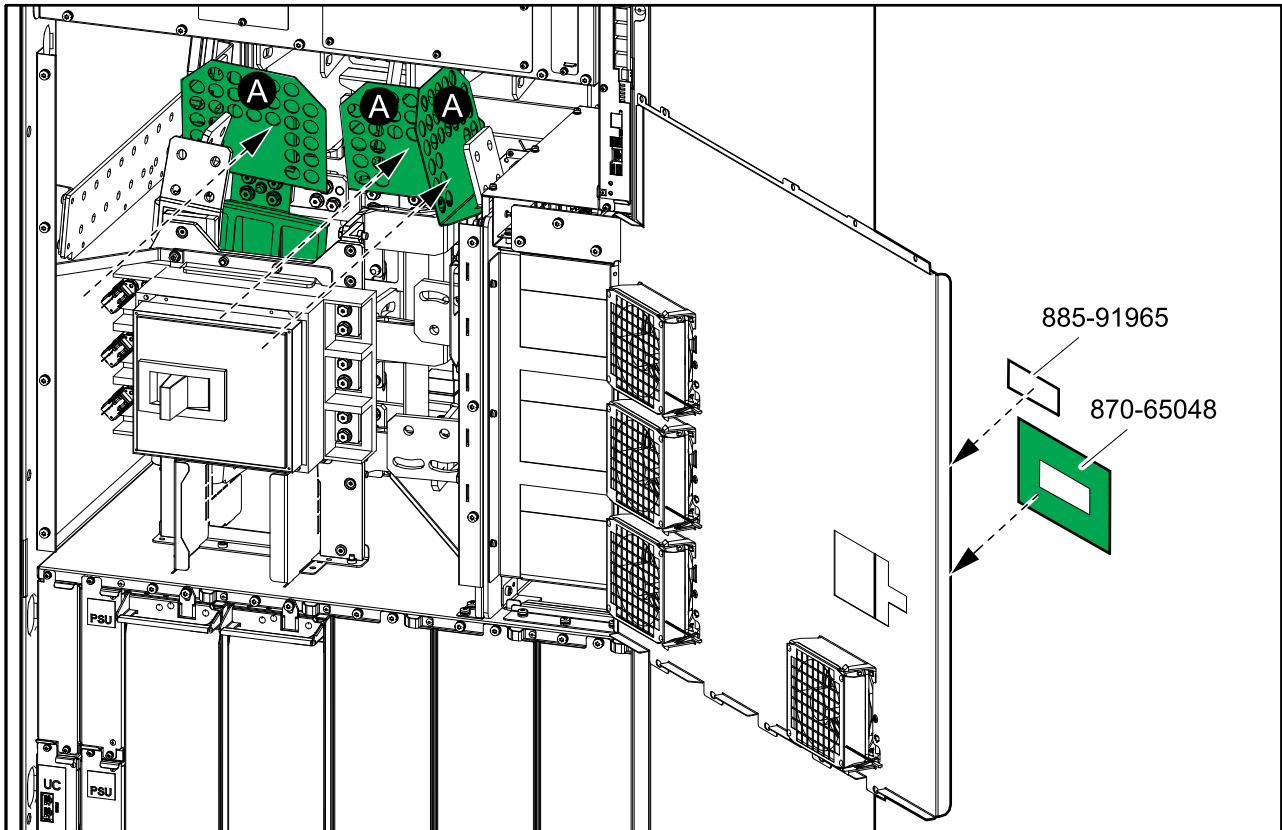
13. Connect the two wires in the signal cable 0W13274 labeled BF_AUX to terminal 1 and 4 on the AUX contact (normally open NO) in the backfeed breaker. The position of the AUX contact is marked with an (A) in the illustration.



14. Connect the wires labeled BF_Coil_+ in 0W13274 to the C2 terminal in the backfeed breaker. Connect the wires in 0W13274 labeled BF_Coil_- to the C1 terminal in the backfeed breaker. The terminals for the shunt trip coil are marked with a (B) in the illustration.
15. Reinstall the front cover on the backfeed breaker.

16. Reinstall the transparent plastic protectors (marked (A) on the illustration) in the original position. The transparent plastic protectors were removed in step 1.

| |
|---|
| ⚠ CAUTION |
| RISK OF ELECTRIC SHOCK |
| The transparent plastic protectors must be reinstalled in the original position. |
| Failure to follow these instructions can result in injury or equipment damage. |



17. Remove the plate in front of the backfeed breaker from the inner door of the UPS. Install the replacement plate 870-65048 provided in the kit.
18. Place label 885-91965 (provided with the UPS) on the front of the inner door of the UPS near the backfeed breaker.

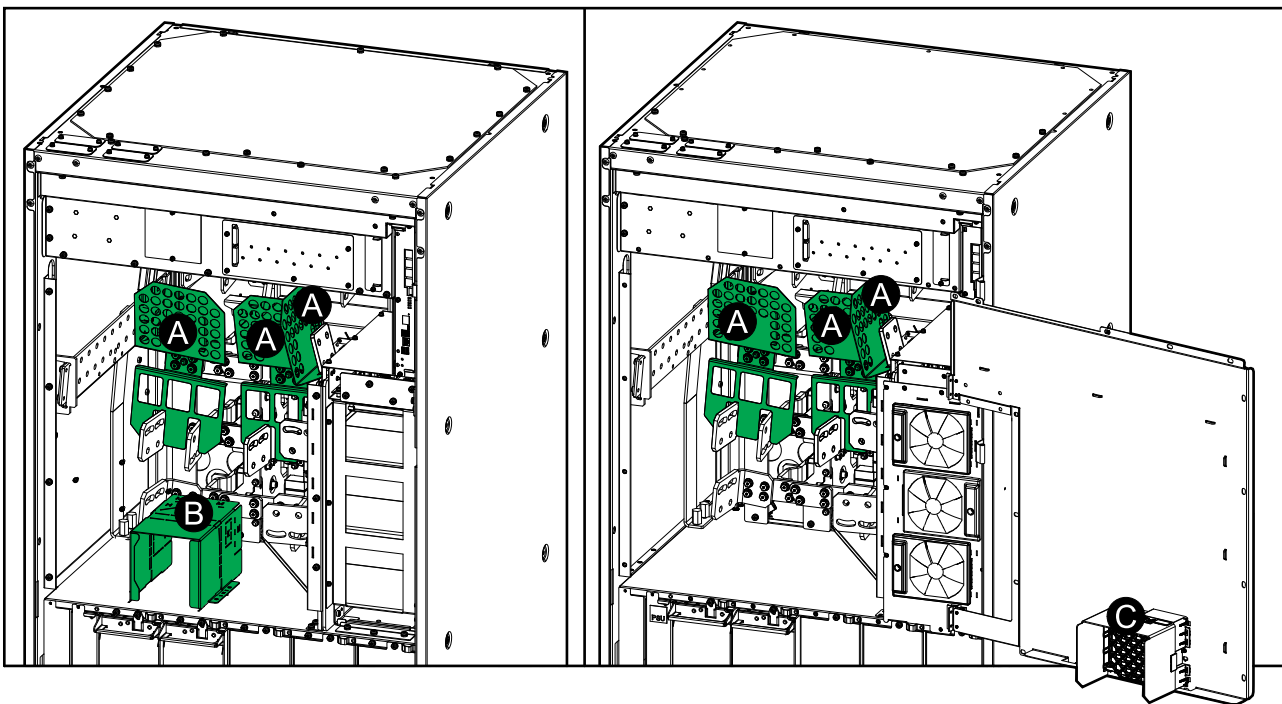
Install the Internal Backfeed Kit for IEC (GVLOPT004) in a Single Mains System

NOTE: Install the backfeed kit in the UPS **before** the power cables are installed in the UPS. Follow the UPS installation manual on how to prepare for installation.

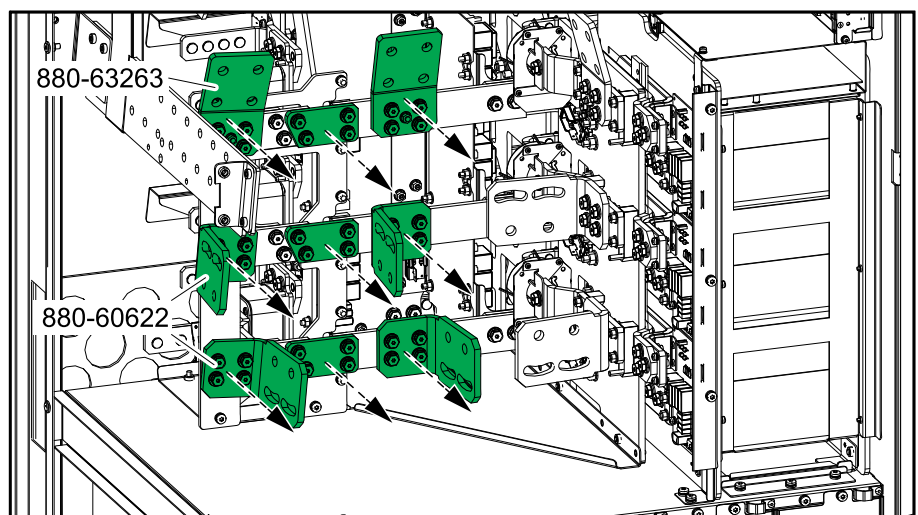
1. Remove the transparent plastic protectors (marked (A) on the illustration) from the busbars. If present, remove the plastic box (marked (B) on the illustration). Save all parts for reinstallation.

NOTE: On newer UPS models, the box (marked (C) on the illustration) is integrated in the inner door of the UPS instead of being a separate part. The integrated box must not be removed from the inner door. The integrated box does not need modification to fit with the backfeed kit.

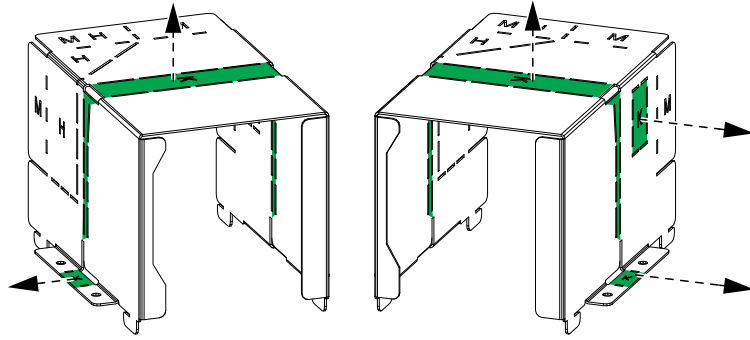
Front View of the UPS Model with Separate Plastic Box and the UPS Model with Box Integrated in the Inner Door



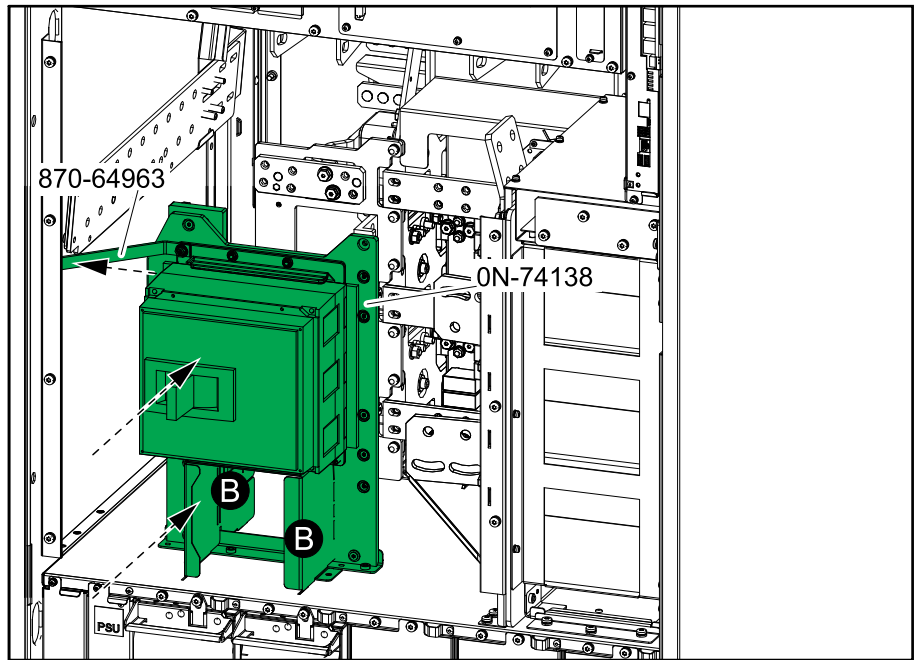
2. Remove the input busbars (880-63263 and 880-60622), the bypass busbars, and the single mains busbars. Save the input busbars (880-63263 and 880-60622) for reinstallation and save the bypass busbars and single mains busbars for later use.



3. **Only for UPS with the plastic box as a separate part:** Cut away the K zone parts on the plastic box. After cutting, the plastic box will be in two pieces. Skip this step if the box is integrated in the inner door of the UPS.



4. Install the backfeed kit frame (0N-74138). Connect the small bracket (870-64963) from the backfeed kit frame to the corner pillar of the UPS. Use the provided M6x16 screws and M6 nuts.

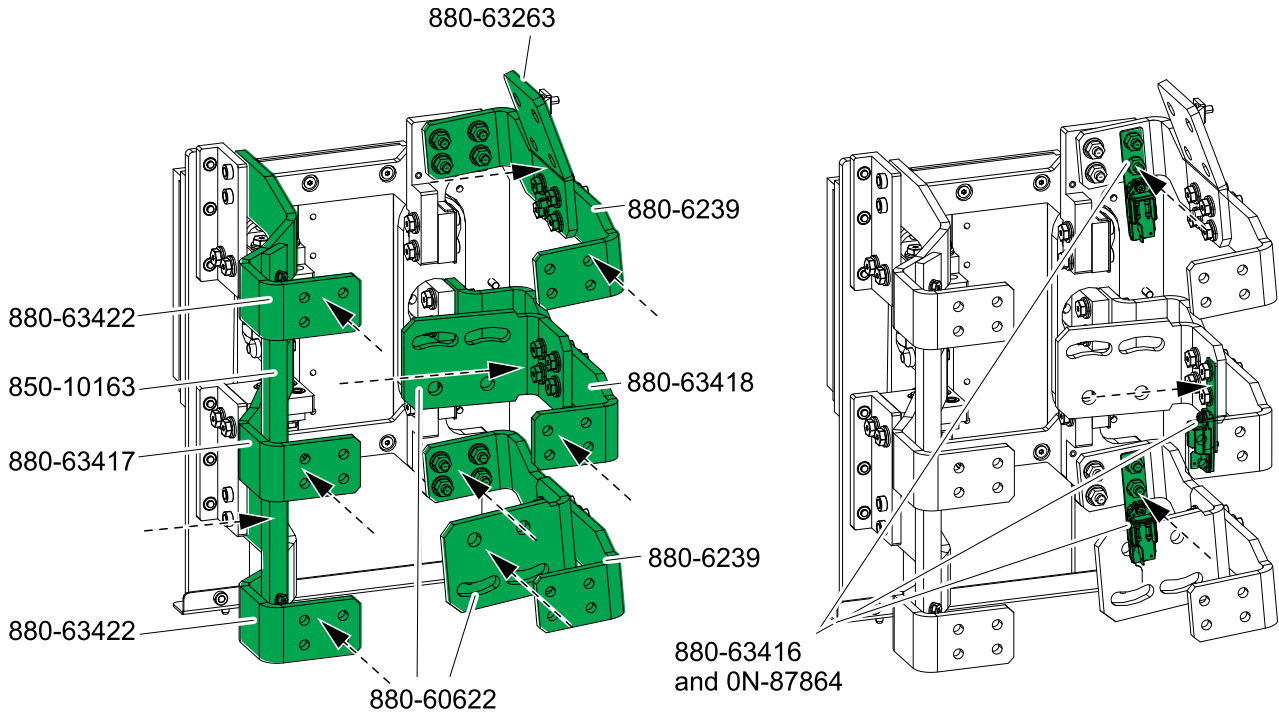


5. **Only for UPS with the plastic box as a separate part:** Reinstall the two plastic box pieces (marked (B) on the illustration). Skip this step if the box is integrated in the inner door of the UPS.

6. Install the busbars:

- a. Install the six backfeed kit busbars (880-63418, 880-6239, 880-63422, 880-63417) and the insulation part (850-10163) on the backfeed kit frame and connect to the busbars in the UPS.
- b. Install the input busbars (880-63263 and 880-60622) and the service measurement boards (880-63416 and 0N-87864) on the backfeed kit frame. The input busbars were removed from the UPS in step 2.

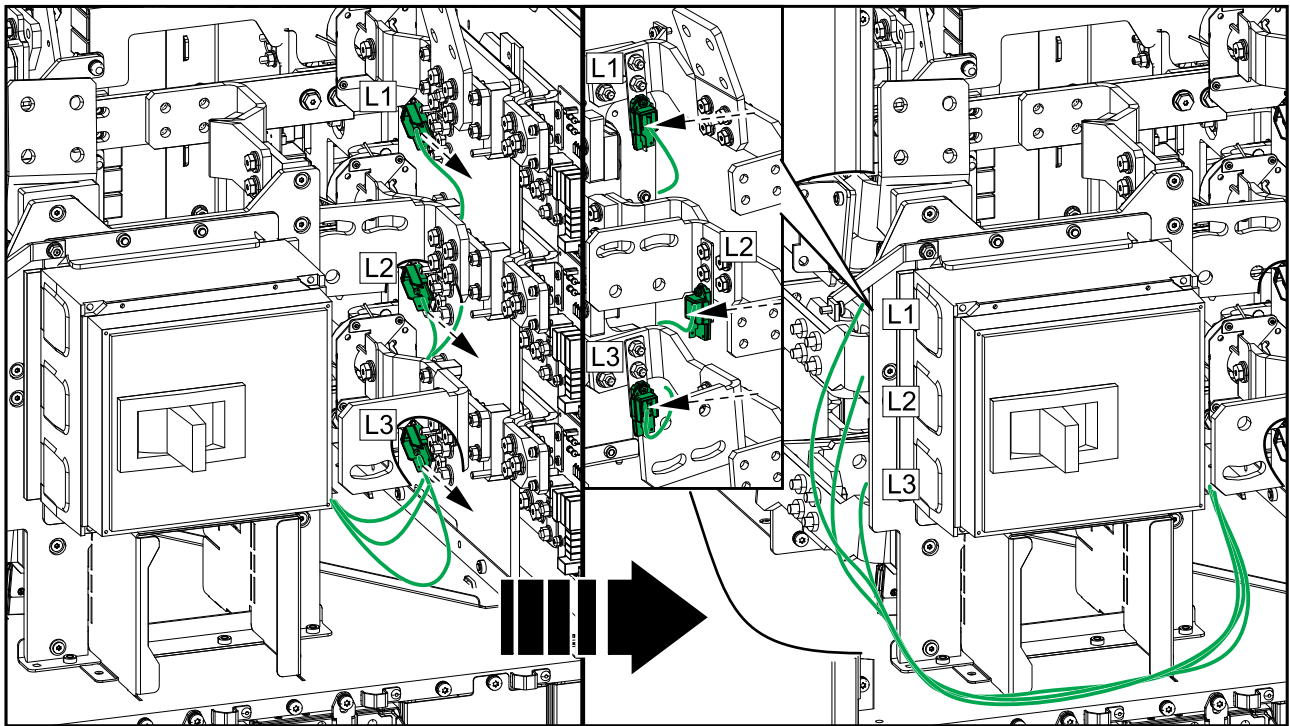
Rear View



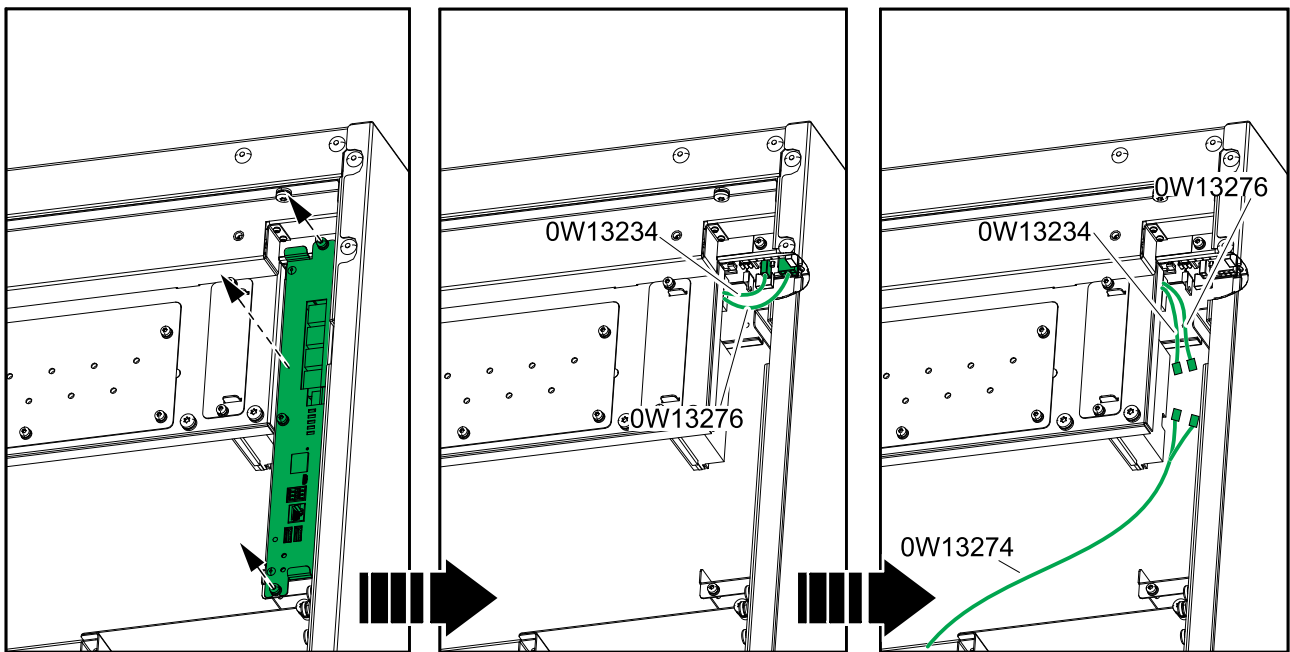
7. Follow the UPS installation manual to connect the power cables. Note that the input busbars are now located on the backfeed kit assembly.

8. Disconnect the preconnected signal cables from the existing service measurement boards on the side of the static bypass switch. Connect the signal cables to the new service measurement boards on the backfeed breaker. The signal cables will make a click when connected properly.

Front View



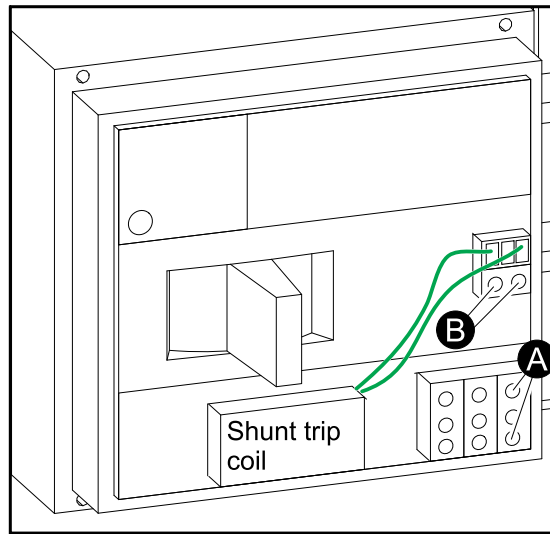
9. Remove the system level controller and disconnect the preconnected signal cables 0W13234 and 0W13276 from board 0P4828.



10. Connect the provided signal cable 0W13274 to the signal cables 0W13234 and 0W13276. Reinstall the system level controller and fasten with the three screws.

11. Remove the front cover from the backfeed breaker.

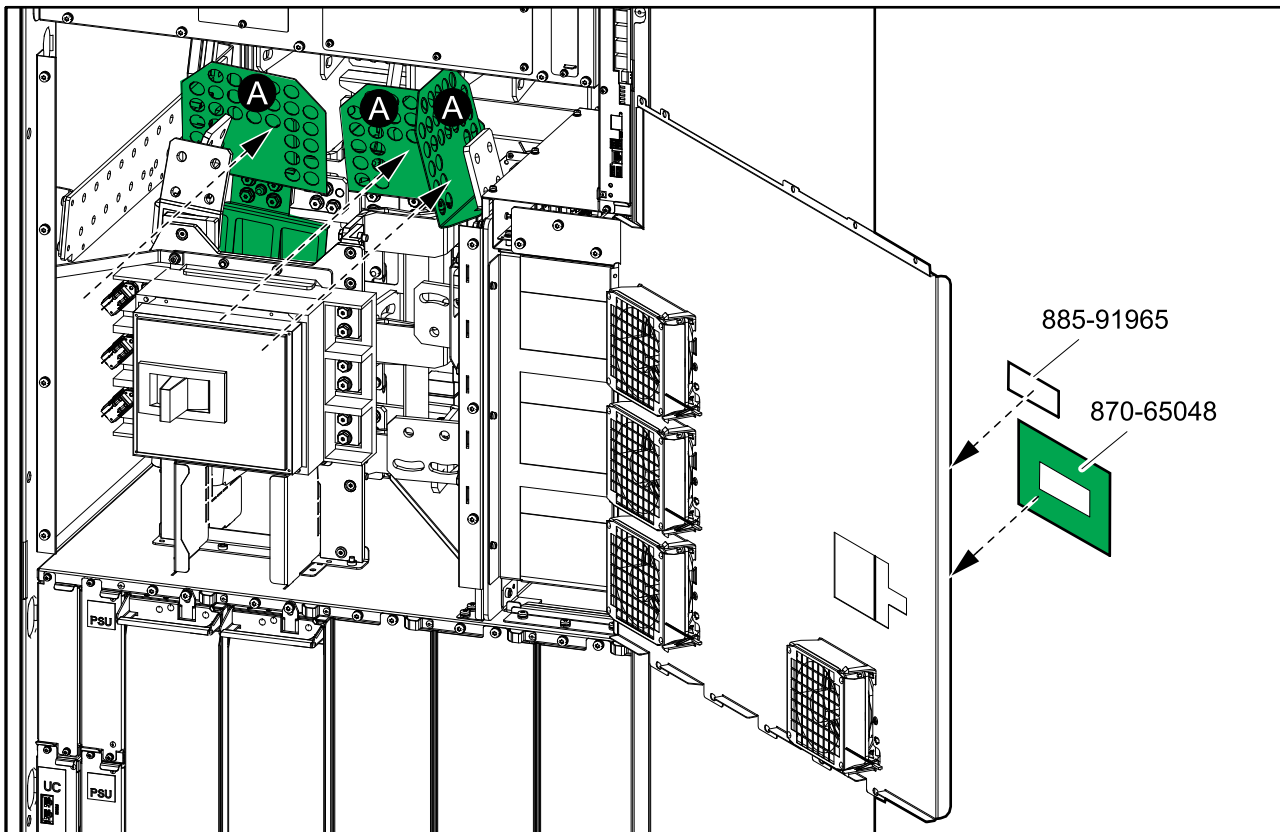
12. Connect the two wires in the signal cable 0W13274 labeled BF_AUX to terminal 1 and 4 on the AUX contact (normally open NO) in the backfeed breaker. The position of the AUX contact is marked with an (A) in the illustration.



13. Connect the wires labeled BF_Coil_+ in 0W13274 to the C2 terminal in the backfeed breaker. Connect the wires in 0W13274 labeled BF_Coil_- to the C1 terminal in the backfeed breaker. The terminals for the shunt trip coil are marked with a (B) in the illustration.
14. Reinstall the front cover on the backfeed breaker.

15. Reinstall the transparent plastic protectors (marked (A) on the illustration) in the original position. The transparent plastic protectors were removed in step 1.

| |
|---|
| ⚠ CAUTION |
| RISK OF ELECTRIC SHOCK |
| The transparent plastic protectors must be reinstalled in the original position. |
| Failure to follow these instructions can result in injury or equipment damage. |



16. Remove the plate in front of the backfeed breaker from the inner door of the UPS. Install the replacement plate 870-65048 provided in the kit.
17. Place label 885-91965 (provided with the UPS) on the front of the inner door of the UPS near the backfeed breaker.

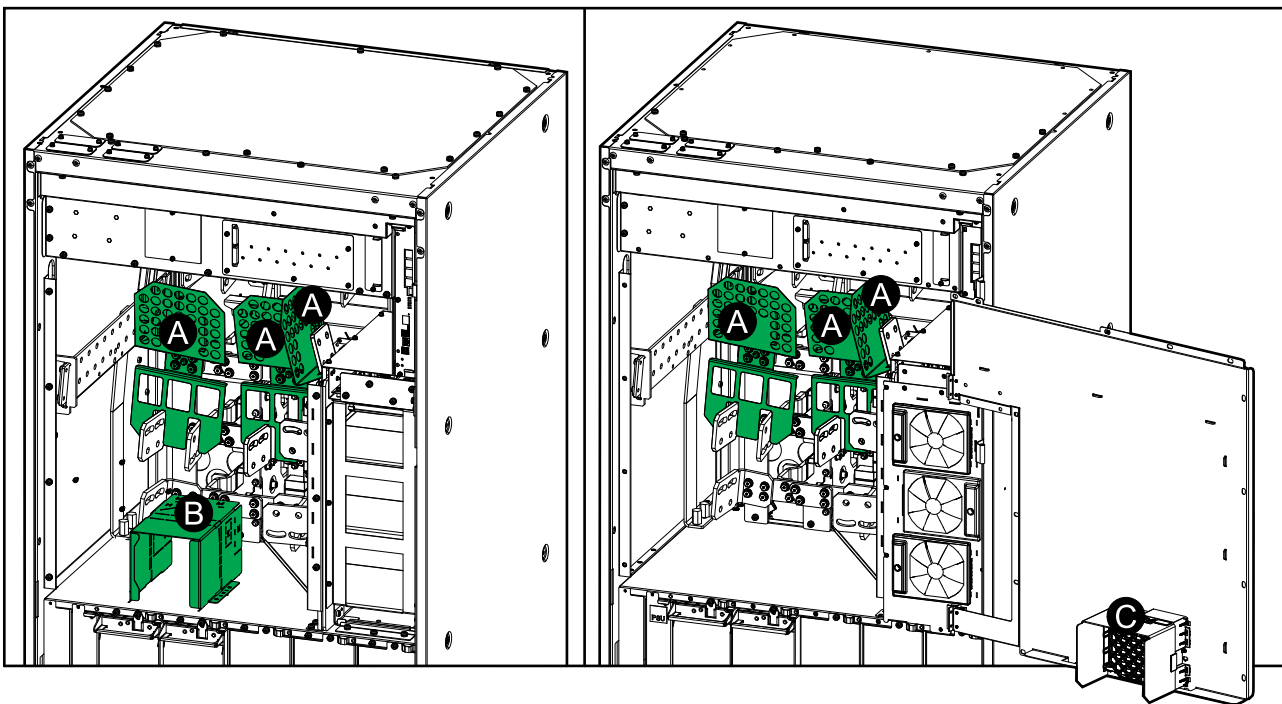
Install the Internal Backfeed Kit for UL (GVLOPT003) in a Dual Mains System

NOTE: Install the backfeed kit in the UPS **before** the power cables are installed in the UPS. Follow the UPS installation manual on how to prepare for installation.

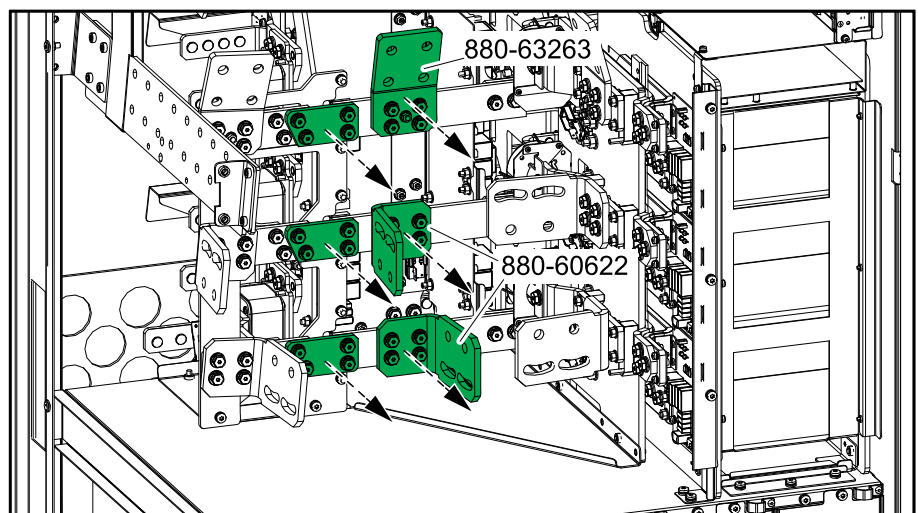
1. Remove the transparent plastic protectors (marked (A) on the illustration) from the busbars. If present, remove the plastic box (marked (B) on the illustration). Save all parts for reinstallation.

NOTE: On newer UPS models, the box (marked (C) on the illustration) is integrated in the inner door of the UPS instead of being a separate part. The integrated box must not be removed from the inner door. The integrated box does not need modification to fit with the backfeed kit.

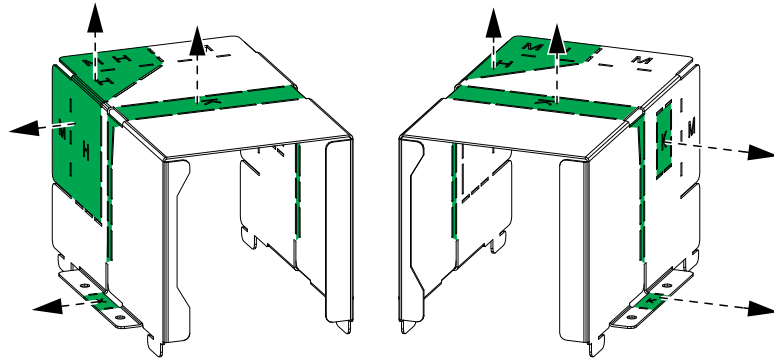
Front View of the UPS Model with Separate Plastic Box and the UPS Model with Box Integrated in the Inner Door



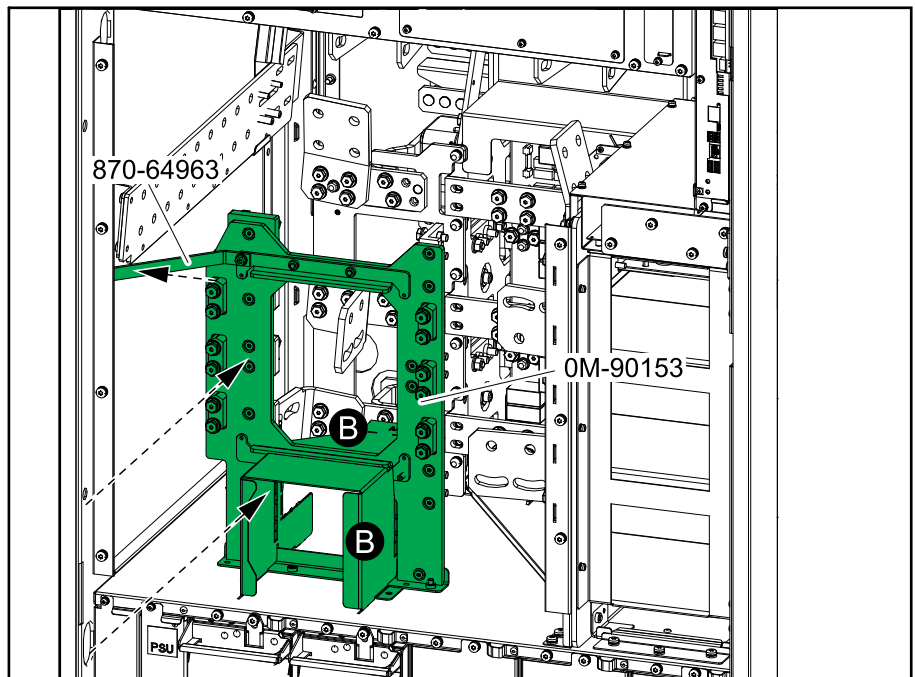
2. Remove the bypass busbars (880-63263 and 880-60622) and the single mains busbars. Save the bypass busbars (880-63263 and 880-60622) for reinstallation and save the single mains busbars for later use.



3. **Only for UPS with the plastic box as a separate part:** Cut away the K zone parts and the H zone parts on the plastic box. After cutting, the plastic box will be in two pieces. Skip this step if the box is integrated in the inner door of the UPS.



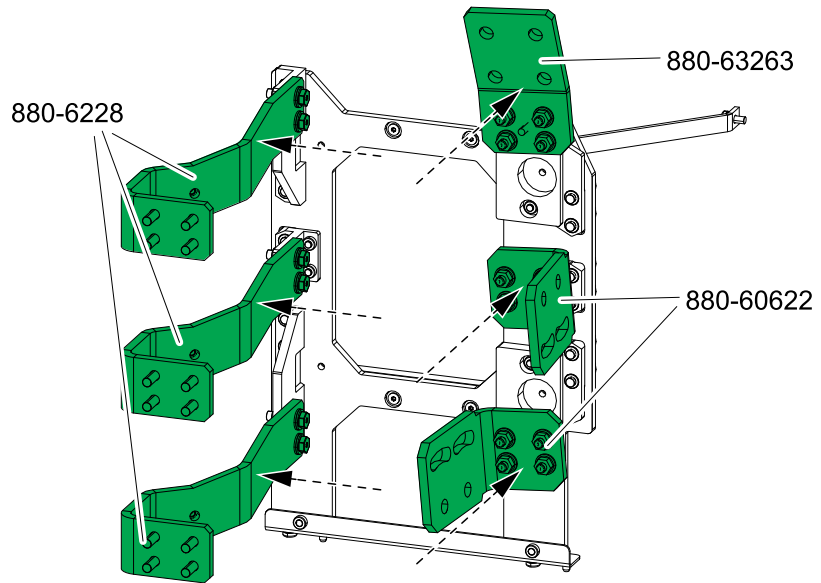
4. Install the backfeed kit frame (0M-90153). Connect the small bracket (870-64963) from the backfeed kit frame to the corner pillar of the UPS. Use the provided M6x16 screws and M6 nuts.



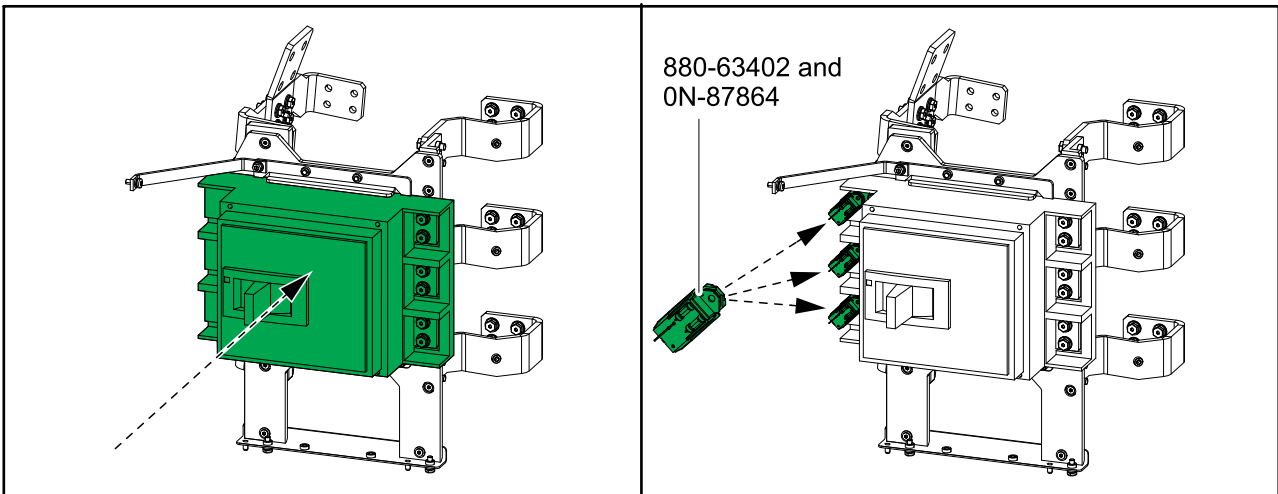
5. **Only for UPS with the plastic box as a separate part:** Reinstall the two plastic box pieces (marked (B) on the illustration). Skip this step if the box is integrated in the inner door of the UPS.

6. Install the three backfeed kit busbars (880-6228) and the three bypass busbars (880-63263 and 880-60622) on the backfeed kit frame and connect to the busbars in the UPS. The bypass busbars were removed from the UPS in step 2.

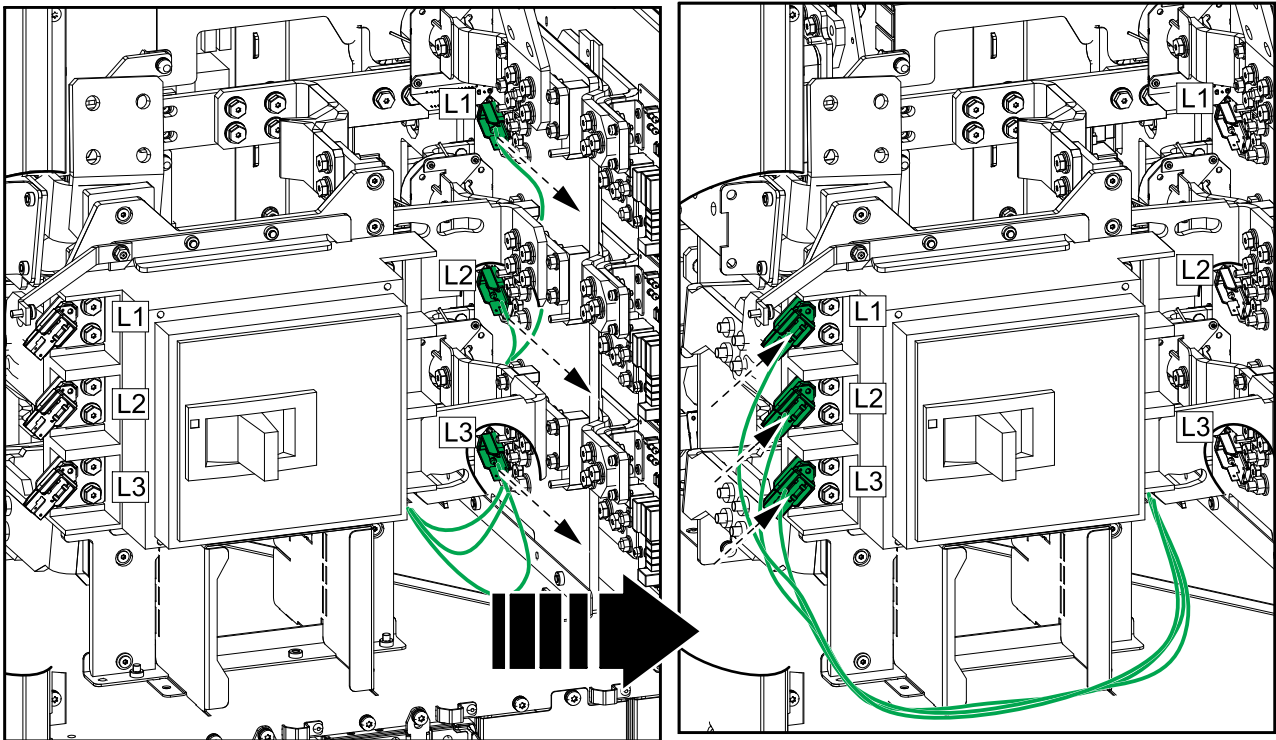
Rear View



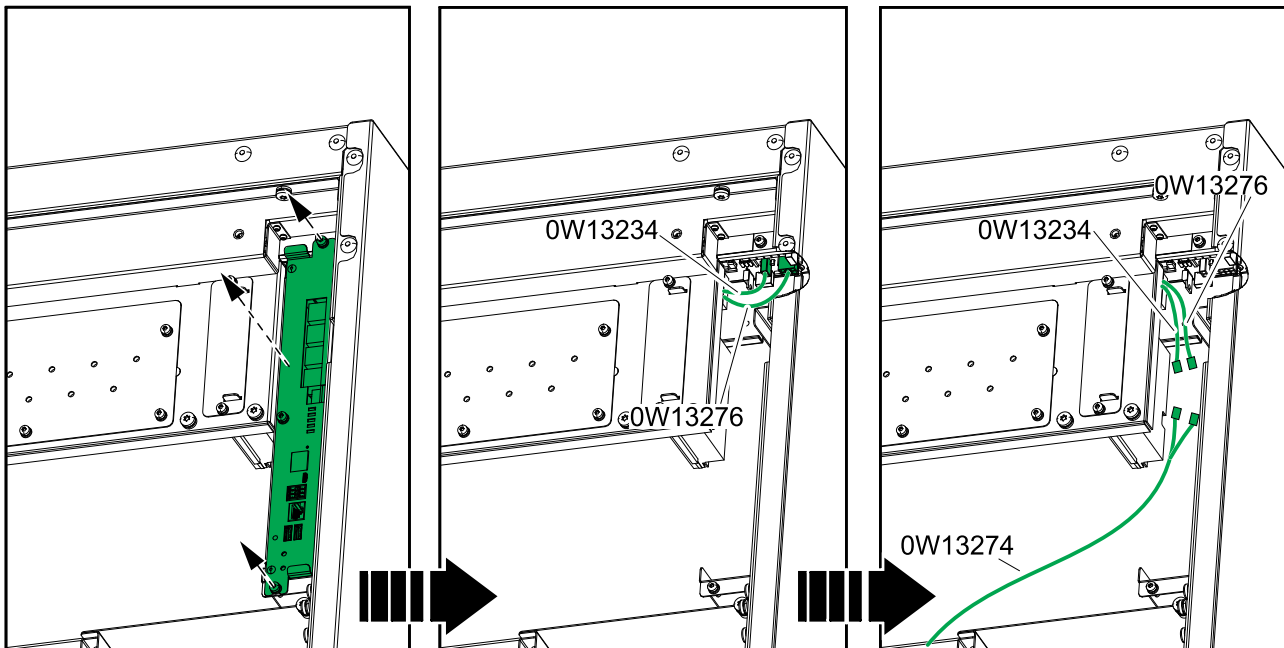
7. Follow the UPS installation manual to connect the power cables. Note that the bypass busbars are now located on the backfeed kit assembly.
8. Install the circuit breaker and the service measurement boards (880-63402 and 0N-87864) on the backfeed kit frame assembly with the provided M6x16 screws.



9. Disconnect the preconnected signal cables from the existing service measurement boards on the side of the static bypass switch. Connect the signal cables to the new service measurement boards on the backfeed breaker. The signal cables will make a click when connected properly.

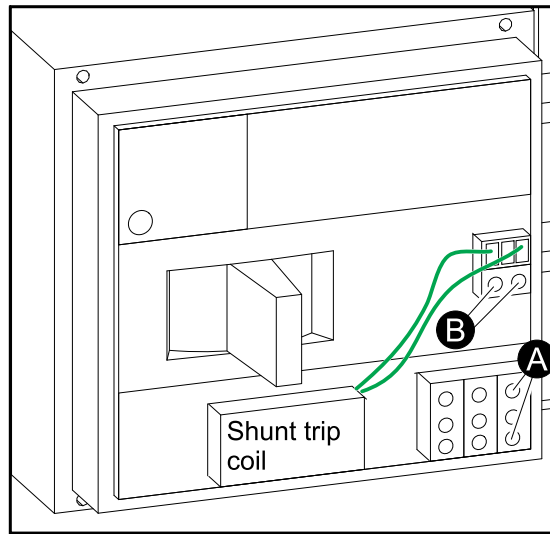


10. Remove the system level controller and disconnect the preconnected signal cables 0W13234 and 0W13276 from board 0P4828.



11. Connect the provided signal cable 0W13274 to the signal cables 0W13234 and 0W13276. Reinstall the system level controller and fasten with the three screws.
12. Remove the front cover from the backfeed breaker.

13. Connect the two wires in the signal cable 0W13274 labeled BF_AUX to terminal 1 and 4 on the AUX contact (normally open NO) in the backfeed breaker. The position of the AUX contact is marked with an (A) in the illustration.



14. Connect the wires labeled BF_Coil_+ in 0W13274 to the C2 terminal in the backfeed breaker. Connect the wires in 0W13274 labeled BF_Coil_- to the C1 terminal in the backfeed breaker. The terminals for the shunt trip coil are marked with a (B) in the illustration.
15. Reinstall the front cover on the backfeed breaker.

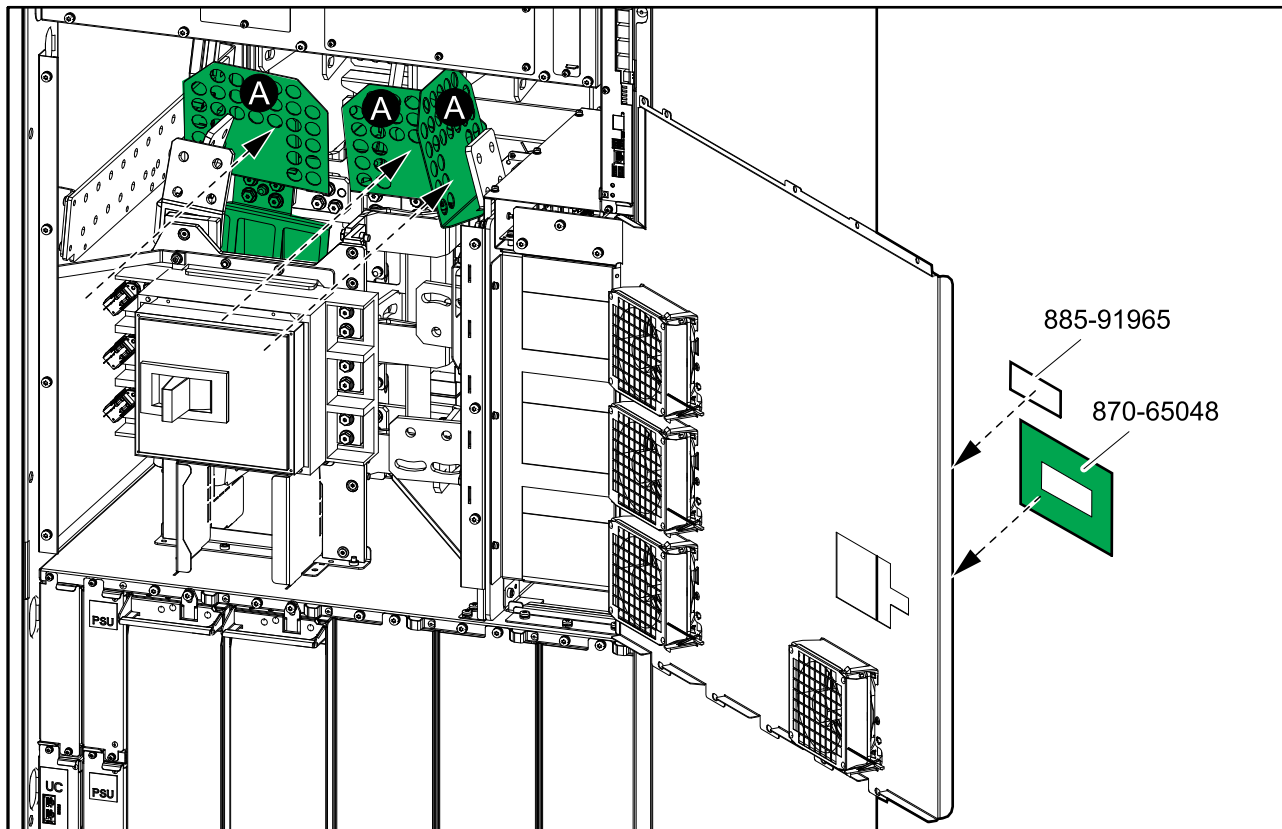
16. Reinstall the transparent plastic protectors (marked (A) on the illustration) in the original position. The transparent plastic protectors were removed in step 1.

⚠ CAUTION

RISK OF ELECTRIC SHOCK

The transparent plastic protectors must be reinstalled in the original position.

Failure to follow these instructions can result in injury or equipment damage.



17. Remove the plate in front of the backfeed breaker from the inner door of the UPS. Install the replacement plate 870-65048 provided in the kit.
18. Place label 885-91965 (provided with the UPS) on the front of the inner door of the UPS near the backfeed breaker.

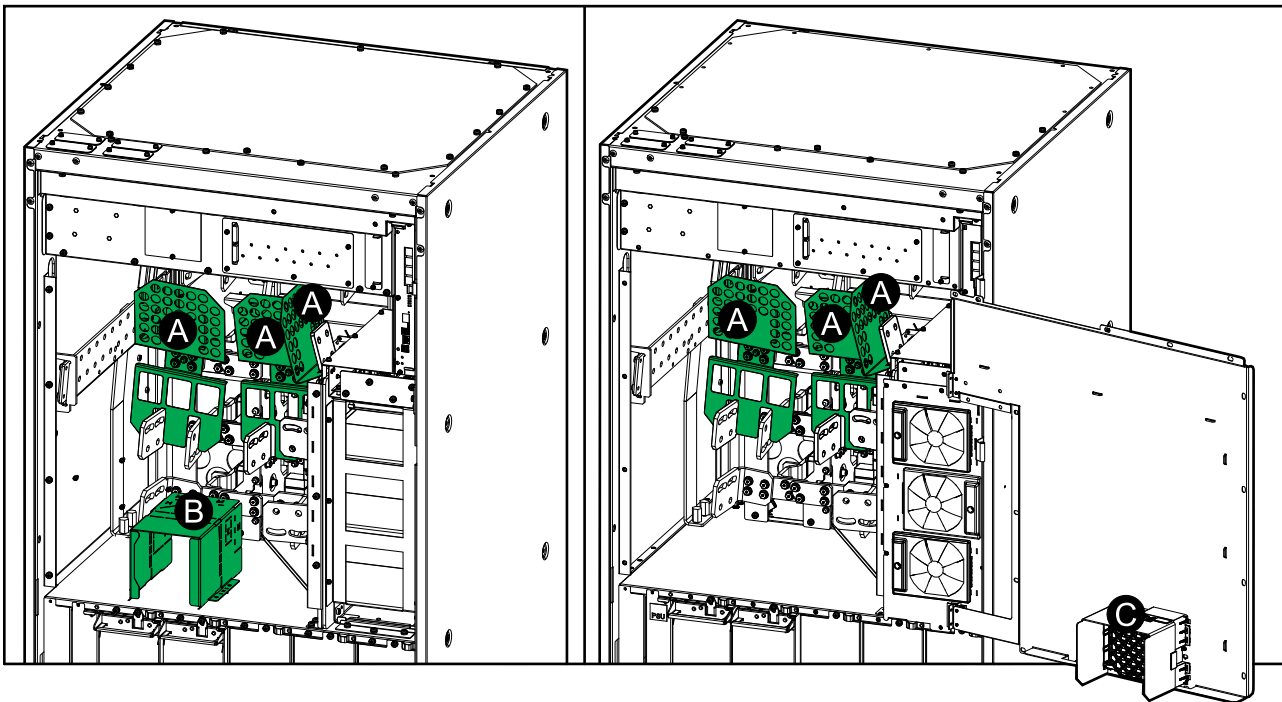
Install the Internal Backfeed Kit for IEC (GVLOPT004) in a Dual Mains System

NOTE: Install the backfeed kit in the UPS **before** the power cables are installed in the UPS. Follow the UPS installation manual on how to prepare for installation.

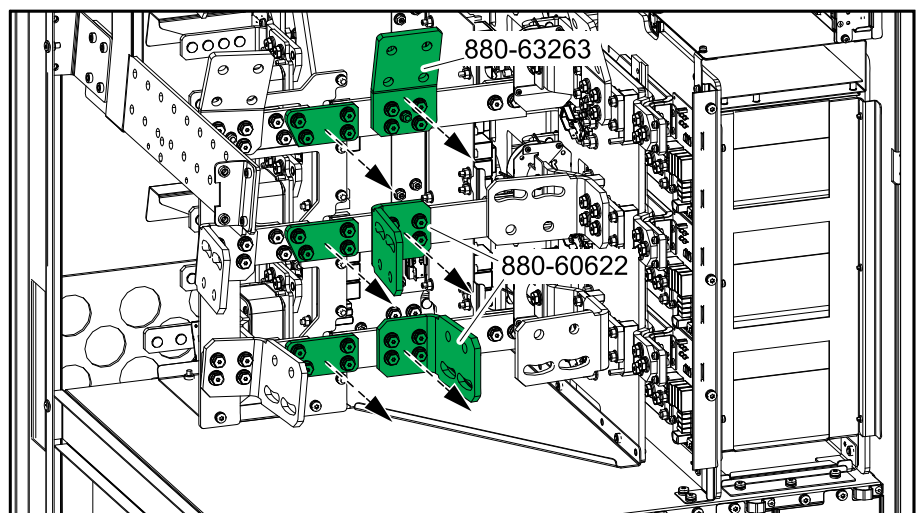
1. Remove the transparent plastic protectors (marked (A) on the illustration) from the busbars. If present, remove the plastic box (marked (B) on the illustration). Save all parts for reinstallation.

NOTE: On newer UPS models, the box (marked (C) on the illustration) is integrated in the inner door of the UPS instead of being a separate part. The integrated box must not be removed from the inner door. The integrated box does not need modification to fit with the backfeed kit.

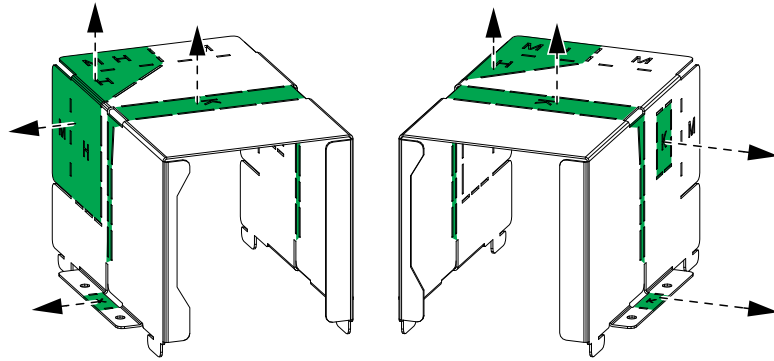
Front View of the UPS Model with Separate Plastic Box and the UPS Model with Box Integrated in the Inner Door



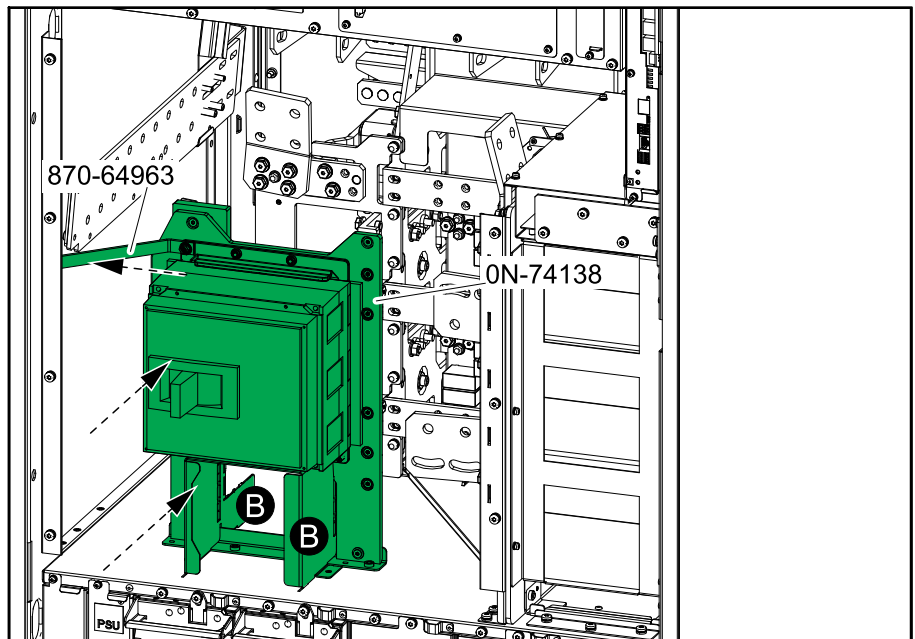
2. Remove the bypass busbars (880-63263 and 880-60622) and the single mains busbars. Save the bypass busbars (880-63263 and 880-60622) for reinstallation and save the single mains busbars for later use.



- 3. Only for UPS with the plastic box as a separate part:** Cut away the K zone parts and the H zone parts on the plastic box. After cutting, the plastic box will be in two pieces. Skip this step if the box is integrated in the inner door of the UPS.



- 4. Install the backfeed kit frame (0N-74138).** Connect the small bracket (870-64963) from the backfeed kit frame to the corner pillar of the UPS. Use the provided M6x16 screws and M6 nuts.

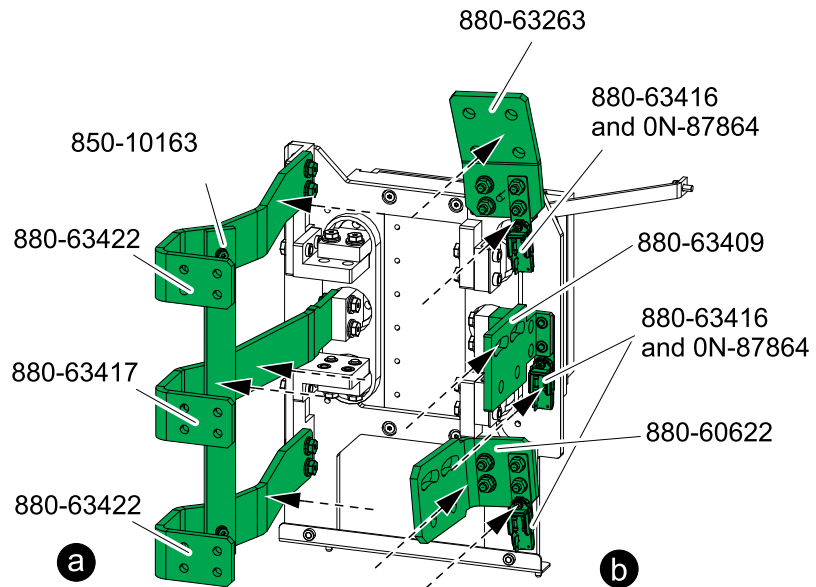


- 5. Only for UPS with the plastic box as a separate part:** Reinstall the two plastic box pieces (marked (B) on the illustration). Skip this step if the box is integrated in the inner door of the UPS.

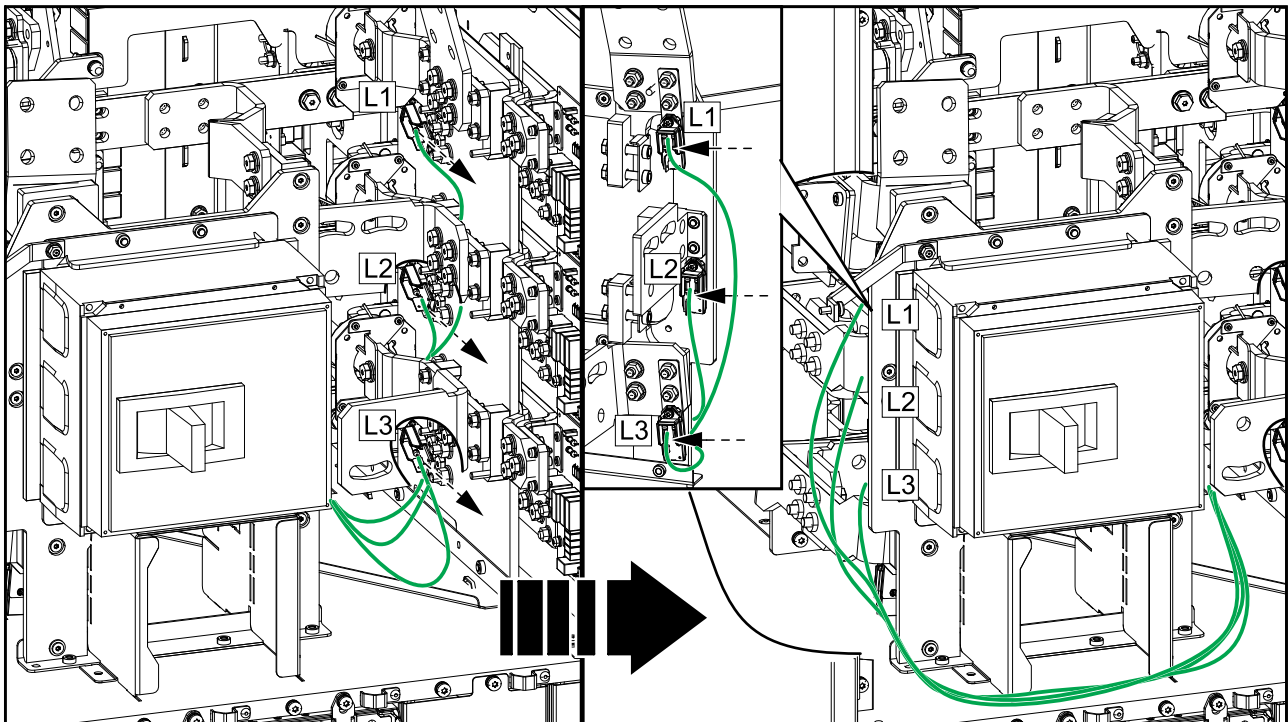
6. Install the busbars:

- a. Install the three backfeed kit busbars (880-63422 and 880-63417) and the insulation part (850-10163) on the backfeed kit frame and connect to the busbars in the UPS.
- b. Install the bypass busbars (880-63263, 880-63409, and 880-60622) and the service measurement boards (880-63416 and 0N-87864) on the backfeed kit frame. The L1 and L3 bypass busbars (880-63263 and 880-60622) were removed from the UPS in step 2 and the L2 bypass busbar (880-63409) is part of the backfeed kit.

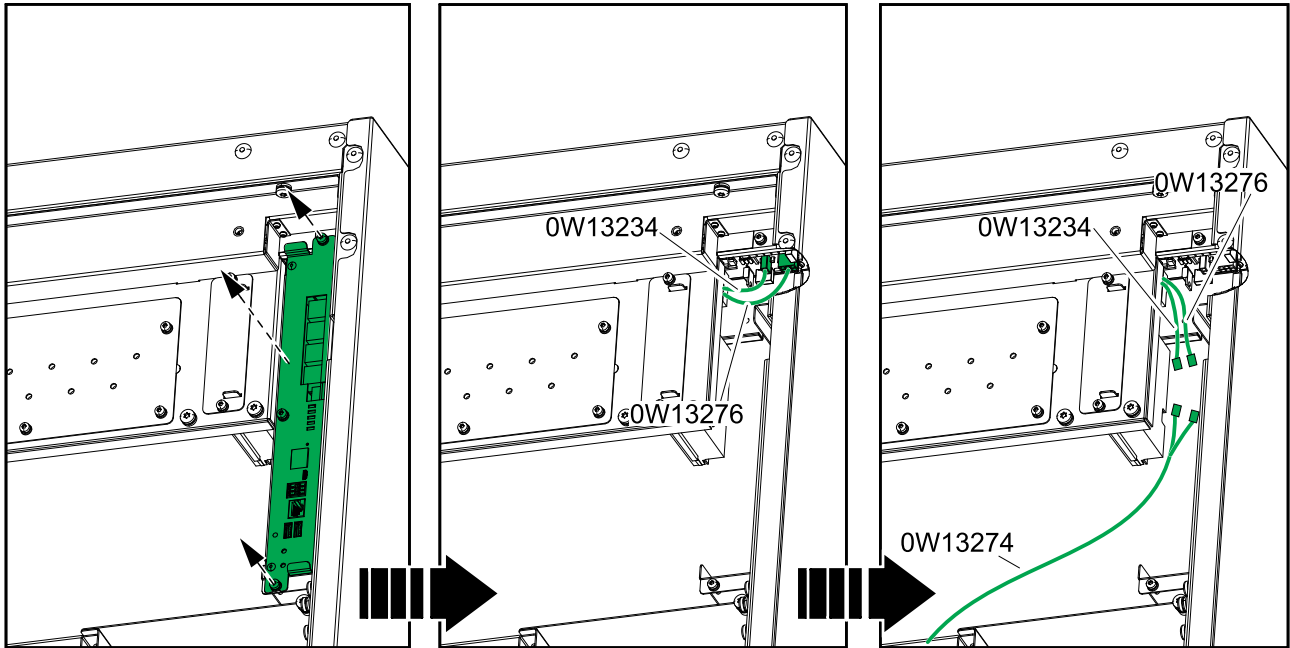
Rear View



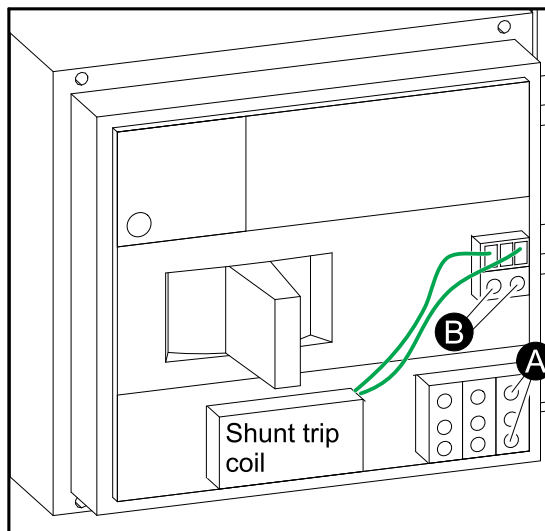
- 7. Follow the UPS installation manual to connect the power cables. Note that the bypass busbars are now located on the backfeed kit assembly.
- 8. Disconnect the preconnected signal cables from the existing service measurement boards on the side of the static bypass switch. Connect the signal cables to the new service measurement boards on the backfeed breaker. The signal cables will make a click when connected properly.



9. Remove the system level controller and disconnect the preconnected signal cables 0W13234 and 0W13276 from board 0P4828.



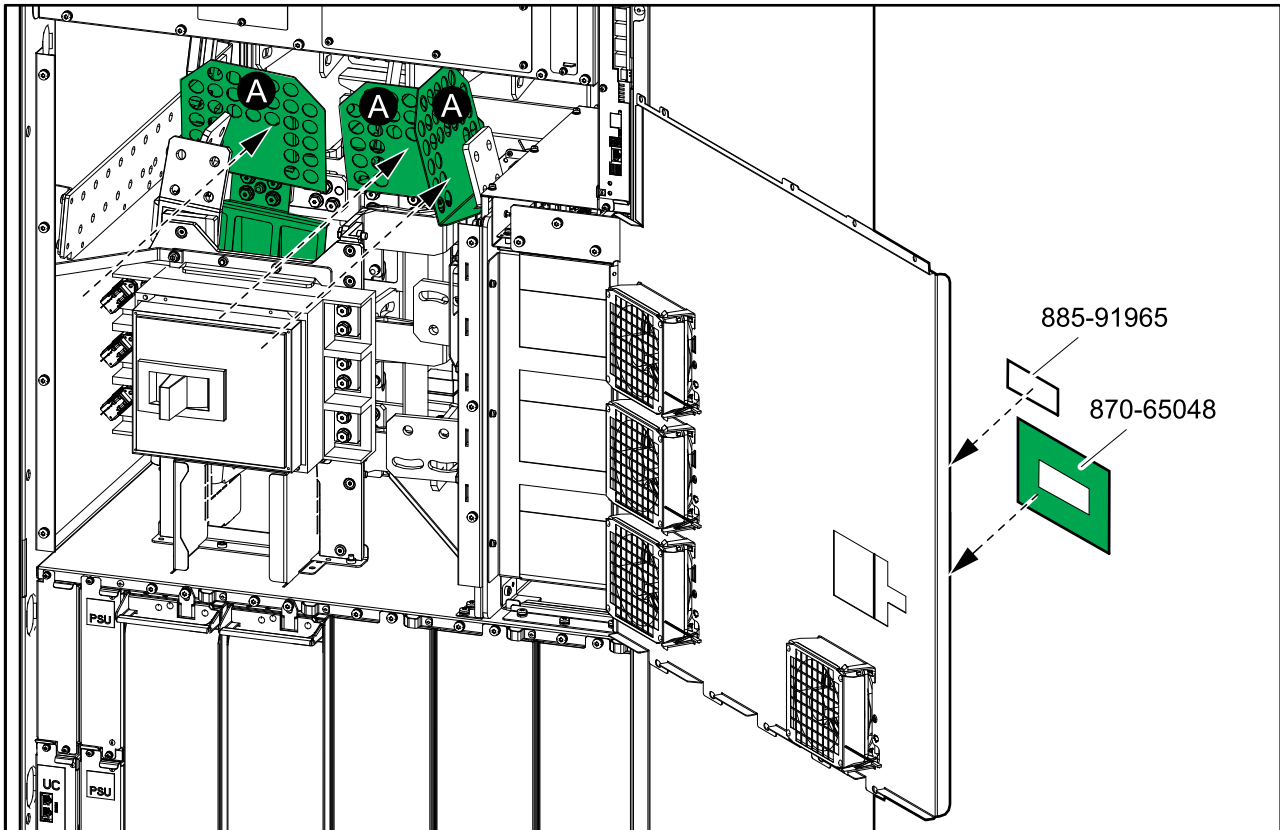
10. Connect the provided signal cable 0W13274 to the signal cables 0W13234 and 0W13276. Reinstall the system level controller and fasten with the three screws.
11. Remove the front cover from the backfeed breaker.
12. Connect the two wires in the signal cable 0W13274 labeled BF_AUX to terminal 1 and 4 on the AUX contact (normally open NO) in the backfeed breaker. The position of the AUX contact is marked with an (A) in the illustration.



13. Connect the wires labeled BF_Coil_+ in 0W13274 to the C2 terminal in the backfeed breaker. Connect the wires in 0W13274 labeled BF_Coil_- to the C1 terminal in the backfeed breaker. The terminals for the shunt trip coil are marked with a (B) in the illustration.
14. Reinstall the front cover on the backfeed breaker.

15. Reinstall the transparent plastic protectors (marked (A) on the illustration) in the original position. The transparent plastic protectors were removed in step 1.

| |
|---|
| ⚠ CAUTION |
| RISK OF ELECTRIC SHOCK |
| The transparent plastic protectors must be reinstalled in the original position. |
| Failure to follow these instructions can result in injury or equipment damage. |



16. Remove the plate in front of the backfeed breaker from the inner door of the UPS. Install the replacement plate 870-65048 provided in the kit.
17. Place label 885-91965 (provided with the UPS) on the front of the inner door of the UPS near the backfeed breaker.

Post-Installation Checklist

1. Verify that the busbars have been installed as instructed.
2. Verify torque on all electrical connections – see Torque Specifications, page 9.
3. Adjust the settings on the backfeed breaker – see Trip Settings, page 9.
4. Verify the backfeed trip. A Schneider Electric-certified service partner will perform a backfeed breaker test at start-up.

Schneider Electric
35 rue Joseph Monier
92500 Rueil Malmaison
France

+ 33 (0) 1 41 29 70 00



As standards, specifications, and design change from time to time,
please ask for confirmation of the information given in this publication.

© 2021 – 2024 Schneider Electric. All rights reserved.

990-91459B-001