

Galaxy PW 2nd Gen

10-120 kVA 3:1

Installation

Latest updates are available on the Schneider Electric website

6/2022



Legal Information

The Schneider Electric brand and any trademarks of Schneider Electric SE and its subsidiaries referred to in this guide are the property of Schneider Electric SE or its subsidiaries. All other brands may be trademarks of their respective owners.

This guide and its content are protected under applicable copyright laws and furnished for informational use only. No part of this guide may be reproduced or transmitted in any form or by any means (electronic, mechanical, photocopying, recording, or otherwise), for any purpose, without the prior written permission of Schneider Electric.

Schneider Electric does not grant any right or license for commercial use of the guide or its content, except for a non-exclusive and personal license to consult it on an "as is" basis. Schneider Electric products and equipment should be installed, operated, serviced, and maintained only by qualified personnel.

As standards, specifications, and designs change from time to time, information contained in this guide may be subject to change without notice.

To the extent permitted by applicable law, no responsibility or liability is assumed by Schneider Electric and its subsidiaries for any errors or omissions in the informational content of this material or consequences arising out of or resulting from the use of the information contained herein.



Go to <https://www.productinfo.schneider-electric.com/galaxypw> for translations.
Rendez-vous sur <https://www.productinfo.schneider-electric.com/galaxypw> pour accéder aux traductions.
前往 <https://www.productinfo.schneider-electric.com/galaxypw> 查看译文。

Table of Contents

Important Safety Instructions — SAVE THESE	
INSTRUCTIONS	5
Safety Precautions	6
Electrical Safety	8
Battery Safety	9
Symbols Used in the Product	11
Specifications	13
Specifications for 10 kVA 3:1 220 VDC UPS	13
Specifications for 20 kVA 3:1 220 VDC UPS	15
Specifications for 30 kVA 3:1 220 VDC UPS	17
Specifications for 40 kVA 3:1 220 VDC UPS	19
Specifications for 50 kVA 3:1 220 VDC UPS	21
Specifications for 60 kVA 3:1 220 VDC UPS	23
Specifications for 80 kVA 3:1 220 VDC UPS	25
Specifications for 100 kVA 3:1 220 VDC UPS	27
Specifications for 120 kVA 3:1 220 VDC UPS	29
Specifications for 10 kVA 3:1 384 VDC UPS	31
Specifications for 20 kVA 3:1 384 VDC UPS	33
Specifications for 30 kVA 3:1 384 VDC UPS	35
Specifications for 40 kVA 3:1 384 VDC UPS	37
Specifications for 60 kVA 3:1 384 VDC UPS	39
Specifications for 80 kVA 3:1 384 VDC UPS	41
Recommended Upstream Protection and Cable Sizes for 3:1 UPS	43
Recommended Bolt and Lug Sizes	44
Torque Specifications	45
Weights and Dimensions for 3:1 UPS	46
Shipping Weights and Dimensions for 3:1 UPS	47
Clearance	48
Environmental	48
Heat Dissipation for 3:1 UPS	49
Compliance	49
Overview of Configurations	50
Overview of Single UPS	50
Overview of 1+1 Redundant Parallel System	51
Location of Breakers	53
Installation Procedure	55
Remove the UPS from the Pallet	56
Install the IP31 Kit	58
Connect the Power Cables	60
Connect the Power Cables in a 10-40 kVA 3:1 220 VDC UPS	60
Connect the Power Cables in a 50-80 kVA 3:1 220 VDC UPS	61
Connect the Power Cables in a 100-120 kVA 3:1 220 VDC UPS	62
Connect the Power Cables in a 10-40 kVA 3:1 384 VDC UPS	62
Connect the Power Cables in a 60-80 kVA 3:1 384 VDC UPS	64
Remove Jumper Busbars in 3:1 220 VDC UPSs with External Charger	66

Remove Jumper Busbars in 10-40 kVA 3:1 220 VDC UPSs with External
Charger 66

Remove Jumper Busbars in a 50-80 kVA 3:1 220 VDC UPSs with
External Charger 67

Remove Jumper Busbars in 100-120 kVA 220 VDC UPSs with External
Charger 69

Connect the Signal Cables 71

 Overview of Input Contacts and Output Relays 76

 Connect the Parallel Cables in a Parallel System 79

 Connections for Remote Monitoring 79

Seal the Cable Openings with Fire-proof Putty for IP31
Compliance 81

Reinstall the Kick Plates 82

Backfeed Protection 83

Important Safety Instructions — SAVE THESE INSTRUCTIONS

Read these instructions carefully and look at the equipment to become familiar with it before trying to install, operate, service or maintain it. The following safety messages may appear throughout this manual or on the equipment to warn of potential hazards or to call attention to information that clarifies or simplifies a procedure.



The addition of this symbol to a “Danger” or “Warning” safety message indicates that an electrical hazard exists which will result in personal injury if the instructions are not followed.



This is the safety alert symbol. It is used to alert you to potential personal injury hazards. Obey all safety messages with this symbol to avoid possible injury or death.

DANGER

DANGER indicates a hazardous situation which, if not avoided, **will result in death or serious injury.**

Failure to follow these instructions will result in death or serious injury.

WARNING

WARNING indicates a hazardous situation which, if not avoided, **could result in death or serious injury.**

Failure to follow these instructions can result in death, serious injury, or equipment damage.

CAUTION

CAUTION indicates a hazardous situation which, if not avoided, **could result in minor or moderate injury.**

Failure to follow these instructions can result in injury or equipment damage.

NOTICE

NOTICE is used to address practices not related to physical injury. The safety alert symbol shall not be used with this type of safety message.

Failure to follow these instructions can result in equipment damage.

Please Note

Electrical equipment should only be installed, operated, serviced, and maintained by qualified personnel. No responsibility is assumed by Schneider Electric for any consequences arising out of the use of this material.

A qualified person is one who has skills and knowledge related to the construction, installation, and operation of electrical equipment and has received safety training to recognize and avoid the hazards involved.

Safety Precautions

⚠ DANGER

HAZARD OF ELECTRIC SHOCK, EXPLOSION, OR ARC FLASH

All safety instructions in this document must be read, understood and followed.

Failure to follow these instructions will result in death or serious injury.

⚠ DANGER

HAZARD OF ELECTRIC SHOCK, EXPLOSION, OR ARC FLASH

Read all instructions in the Installation Manual before installing or working on this UPS system.

Failure to follow these instructions will result in death or serious injury.

⚠ DANGER

HAZARD OF ELECTRIC SHOCK, EXPLOSION, OR ARC FLASH

Do not install the UPS system until all construction work has been completed and the installation room has been cleaned.

Failure to follow these instructions will result in death or serious injury.

⚠ DANGER

HAZARD OF ELECTRIC SHOCK, EXPLOSION, OR ARC FLASH

- The product must be installed according to the specifications and requirements as defined by Schneider Electric. It concerns in particular the external and internal protections (upstream breakers, battery breakers, cabling, etc.) and environmental requirements. No responsibility is assumed by Schneider Electric if these requirements are not respected.
- After the UPS system has been electrically wired, do not start up the system. Start-up must only be performed by Schneider Electric.

Failure to follow these instructions will result in death or serious injury.

⚠ DANGER

HAZARD OF ELECTRIC SHOCK, EXPLOSION, OR ARC FLASH

The UPS system must be installed according to local and national regulations. Install the UPS according to:

- IEC 60364 (including 60364-4-41- protection against electric shock, 60364-4-42 - protection against thermal effect, and 60364-4-43 - protection against overcurrent), **or**
- NEC NFPA 70, **or**
- Canadian Electrical Code (C22.1, Part 1)

depending on which one of the standards apply in your local area.

Failure to follow these instructions will result in death or serious injury.

⚠ DANGER

HAZARD OF ELECTRIC SHOCK, EXPLOSION, OR ARC FLASH

- Install the UPS system in a temperature controlled indoor environment free of conductive contaminants and humidity.
- Install the UPS system on a non-flammable, level and solid surface (e.g. concrete) that can support the weight of the system.

Failure to follow these instructions will result in death or serious injury.

⚠ DANGER

HAZARD OF ELECTRIC SHOCK, EXPLOSION, OR ARC FLASH

The UPS is not designed for and must therefore not be installed in the following unusual operating environments:

- Damaging fumes
- Explosive mixtures of dust or gases, corrosive gases, or conductive or radiant heat from other sources
- Moisture, abrasive dust, steam or in an excessively damp environment
- Fungus, insects, vermin
- Salt-laden air or contaminated cooling refrigerant
- Pollution degree higher than 2 according to IEC 60664-1
- Exposure to abnormal vibrations, shocks, and tilting
- Exposure to direct sunlight, heat sources, or strong electromagnetic fields

Failure to follow these instructions will result in death or serious injury.

⚠ DANGER

HAZARD OF ELECTRIC SHOCK, EXPLOSION, OR ARC FLASH

Do not drill or cut holes for cables or conduits with the gland plates installed and do not drill or cut holes in close proximity to the UPS.

Failure to follow these instructions will result in death or serious injury.

⚠ WARNING

HAZARD OF ARC FLASH

Do not make mechanical changes to the product (including removal of cabinet parts or drilling/cutting of holes) that are not described in the Installation Manual.

Failure to follow these instructions can result in death, serious injury, or equipment damage.

NOTICE

RISK OF OVERHEATING

Respect the space requirements around the UPS system and do not cover the product's ventilation openings when the UPS system is in operation.

Failure to follow these instructions can result in equipment damage.

NOTICE**RISK OF EQUIPMENT DAMAGE**

Do not connect the UPS output to regenerative load systems including photovoltaic systems and speed drives.

Failure to follow these instructions can result in equipment damage.

Electrical Safety**⚠ DANGER****HAZARD OF ELECTRIC SHOCK, EXPLOSION, OR ARC FLASH**

- Electrical equipment must be installed, operated, serviced, and maintained only by qualified personnel.
- Apply appropriate personal protective equipment (PPE) and follow safe electrical work practices.
- Turn off all power supplying the UPS system before working on or inside the equipment.
- Before working on the UPS system, check for hazardous voltage between all terminals including the protective earth.
- The UPS contains an internal energy source. Hazardous voltage can be present even when disconnected from the mains supply. Before installing or servicing the UPS system, ensure that the units are OFF and that mains and batteries are disconnected. Wait five minutes before opening the UPS to allow the capacitors to discharge.
- A disconnection device (e.g. disconnection circuit breaker or switch) must be installed to enable isolation of the system from upstream power sources in accordance with local regulations. The disconnection device must be easily accessible and visible.
- The UPS must be properly earthed/grounded and due to a high leakage current, the earthing/grounding conductor must be connected first.

Failure to follow these instructions will result in death or serious injury.

⚠ DANGER**HAZARD OF ELECTRIC SHOCK, EXPLOSION, OR ARC FLASH**

In systems where backfeed protection is not part of the standard design, an automatic isolation device (backfeed protection option or other device meeting the requirements of IEC/EN 62040-1 or UL1778 5th Edition – depending on which of the two standards apply to your local area) must be installed to prevent hazardous voltage or energy at the input terminals of the isolation device. The device must open within 15 seconds after the upstream power supply fails and must be rated according to the specifications.

Failure to follow these instructions will result in death or serious injury.

When the UPS input is connected through external isolators that, when opened, isolate the neutral or when the automatic backfeed isolation is provided external to the equipment or is connected to an IT power distribution system, a label must be fitted at the UPS input terminals, and on all primary power isolators installed remote from the UPS area and on external access points between such isolators and the UPS, by the user, displaying the following text (or equivalent in a language which is acceptable in the country in which the UPS system is installed):

⚠ DANGER

HAZARD OF ELECTRIC SHOCK, EXPLOSION, OR ARC FLASH

Risk of Voltage Backfeed. Before working on this circuit: Isolate the UPS and check for hazardous voltage between all terminals including the protective earth.

Failure to follow these instructions will result in death or serious injury.

⚠ CAUTION

RISK OF ELECTRICAL DISTURBANCE

This product can cause a DC current in the PE conductor. Where a residual current-operated protective device (RCD) is used for protection against electrical shock, only an RCD of Type B is allowed on the supply side of this product.

Failure to follow these instructions can result in injury or equipment damage.

Battery Safety

⚠⚠ DANGER

HAZARD OF ELECTRIC SHOCK, EXPLOSION OR ARC FLASH

- Battery circuit breakers must be installed according to the specifications and requirements as defined by Schneider Electric.
- Servicing of batteries must only be performed or supervised by qualified personnel knowledgeable of batteries and the required precautions. Keep unqualified personnel away from batteries.
- Disconnect charging source prior to connecting or disconnecting battery terminals.
- Do not dispose of batteries in a fire as they can explode.
- Failed batteries can reach temperatures that exceed the burn thresholds for touchable surfaces.
- Do not open, alter, or mutilate batteries. Released electrolyte is harmful to the skin and eyes. It may be toxic.

Failure to follow these instructions will result in death or serious injury.

⚡⚠ DANGER**HAZARD OF ELECTRIC SHOCK, EXPLOSION, OR ARC FLASH**

Batteries can present a risk of electric shock and high short-circuit current. The following precautions must be observed when working on batteries

- Remove watches, rings, or other metal objects.
- Use tools with insulated handles.
- Wear protective glasses, gloves and boots.
- Do not lay tools or metal parts on top of batteries.
- Disconnect the charging source prior to connecting or disconnecting battery terminals.
- Determine if the battery is inadvertently grounded. If inadvertently grounded, remove source from ground. Contact with any part of a grounded battery can result in electric shock and burns by high short-circuit current. The likelihood of such shock can be reduced if such grounds are removed during installation and maintenance by a skilled person (applicable to equipment and remote battery supplies not having a grounded supply circuit).

Failure to follow these instructions will result in death or serious injury.

⚡⚠ DANGER**HAZARD OF ELECTRIC SHOCK, EXPLOSION, OR ARC FLASH**

When replacing batteries, always replace with the same type and number of batteries or battery packs.



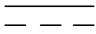




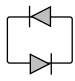


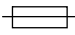

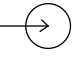
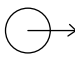
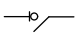
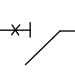
Failure to follow these instructions will result in death or serious injury.

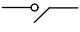
⚠ CAUTION**RISK OF EQUIPMENT DAMAGE**

- Mount the batteries in the UPS system, but do not connect the batteries until the UPS system is ready to be powered up. The time duration from battery connection until the UPS system is powered up must not exceed 72 hours or 3 days.
- Batteries must not be stored more than six months due to the requirement of recharging. If the UPS system remains de-energized for a long period, we recommend that you energize the UPS system for a period of 24 hours at least once every month. This charges the batteries, thus avoiding irreversible damage.

Failure to follow these instructions can result in injury or equipment damage.

Symbols Used in the Product

	This is the earthing/ground symbol.
	This is the protective earth/equipment grounding conductor symbol.
	This is the direct current symbol. It is also referred to as DC.
	This is the alternating current symbol. It is also referred to as AC.
	This is the positive polarity symbol. It is used to identify the positive terminal(s) of equipment which is used with, or generates direct current.
	This is the negative polarity symbol. It is used to identify the negative terminal(s) of equipment which is used with, or generates direct current.
	This is the battery symbol.
	This is the static switch symbol. It is used to indicate switches that are designed to connect or disconnect the load to or from the supply respectively without the existence of moving parts.
	This is the AC/DC converter (rectifier) symbol. It is used to identify an AC/DC converter (rectifier) and, in case of plug-in devices, to identify the relevant receptacles.
	This is the DC/AC converter (inverter) symbol. It is used to identify an DC/AC converter (inverter) and, in case of plug-in devices, to identify the relevant receptacles.
	This is the fuse symbol. It is used to identify fuse boxes or their locations.
	This is the transformer symbol.
	This is the input symbol. It is used to identify an input terminal when it is necessary to distinguish between inputs and outputs.
	This is the output symbol. It is used to identify an output terminal when it is necessary to distinguish between inputs and outputs.
	This is the switch disconnecter symbol. It is used to identify the disconnecting device in the form of switch that protects the equipment from short circuit or heavy load current. It opens the circuits once the current flow crosses its maximum limit.
	This is the circuit breaker symbol. It is used to identify the disconnecting device in the form of circuit breaker that protects the equipment from short circuit or heavy load current. It opens the circuits once the current flow crosses its maximum limit.

	This is the circuit breaker/switch symbol. It is used to identify the disconnecting device in the form of circuit breaker or switch that protects the equipment from short circuit or heavy load current. It opens the circuits once the current flow crosses its maximum limit.
N	This is the neutral symbol. It is used to identify the neutral conductors or their locations.
L	This is the phase conductor symbol. It is used to identify the phase conductors or their locations.

Specifications

Specifications for 10 kVA 3:1 220 VDC UPS

	6 pulses			12 pulses			
	380 V	400 V	415 V	380 V	400 V	415 V	
Input	Voltage (V)	380 V	400 V	415 V	380 V	400 V	415 V
	Connections	L1, L2, L3, PE ¹					
	Input voltage range (V)	304-456					
	Frequency (Hz)	45-55					
	Nominal input current (A)	22	20	20	22	20	20
	Maximum input current (A)	27	26	25	27	25	25
	Input current limitation (A)	60					
	Total harmonic distortion (THDI) ²	6 pulses ≤15%			12 pulses ≤10%		
	Input power factor ²	≥0.9					
	Maximum short circuit rating	I _{cc} =10 kA					
	Protection	Breaker					
	Ramp-in	15 seconds					
	Bypass	Voltage (V)	220 V	230 V	240 V	220 V	230 V
Overload capacity		≤110% continuous; 125% for 10 minutes; 150% for 1 minute					
Connections		L, N, PE					
Bypass voltage range (V)		165-275					
Frequency (Hz)		50					
Nominal bypass current (A)		45	43	42	45	43	42
Nominal neutral current (A)		45	43	42	45	43	42
Maximum short circuit rating		I _{cc} =10 kA					
Output	Voltage (V)	220 V	230 V	240 V	220 V	230 V	240 V
	Connections	L, N, PE					
	Overload capacity	110% continuous; 125% for 10 minutes; 150% for 1 minute					
	Output voltage regulation	± 1%					
	Dynamic load response	20 milliseconds					
	Output power factor	0.8					
	Nominal output current (A)	45	43	42	45	43	42
	Total harmonic distortion (THDU)	<2% at 100% linear load; <4% at 100% non-linear load					
	Output frequency (Hz)	50 ± 1%					
	Output short-circuit current at 60 ms (A)	136					
	Output performance classification (according to IEC/ EN62040-3)	VFI-SS-111					

1. TN, TT, and IT power distribution systems are supported. Corner (line) grounding is not supported.
2. With filter.

Battery	Battery blocks supported	16-20
	Charging current	The charging current is determined by the battery capacity. Default is 0.1 C.
	Maximum charging power (kW)	8
	Nominal battery voltage (VDC)	192-240
	Nominal float voltage (VDC)	216-270
	End of discharge voltage (full load) (VDC)	153.6-192
	Battery current at full load and nominal battery voltage (A)	40
	Battery current at full load and minimum battery voltage (A)	56
	Temperature compensation (per cell)	-3.3 mV per °C for $T \geq 25$ °C, 0 mV per °C for $T < 25$ °C

Specifications for 20 kVA 3:1 220 VDC UPS

	6 pulses			12 pulses			
	Voltage (V)	380 V	400 V	415 V	380 V	400 V	415 V
Connections	L1, L2, L3, PE ³						
Input voltage range (V)	304-456						
Frequency (Hz)	45-55						
Nominal input current (A)	40	38	37	41	39	37	
Maximum input current (A)	50	48	46	51	48	46	
Input current limitation (A)	60						
Total harmonic distortion (THDI) ⁴	6 pulses ≤15%			12 pulses ≤10%			
Input power factor ⁴	≥0.9						
Maximum short circuit rating	I _{cc} =10 kA						
Protection	Breaker						
Ramp-in	15 seconds						
Input	Voltage (V)	220 V	230 V	240 V	220 V	230 V	240 V
	Connections	L, N, PE					
	Overload capacity	110% continuous; 125% for 10 minutes; 150% for 1 minute					
	Bypass voltage range (V)	165-275					
	Frequency (Hz)	50					
	Nominal bypass current (A)	91	87	83	91	87	83
	Nominal neutral current (A)	91	87	83	91	87	83
	Maximum short circuit rating	I _{cc} =10 kA					
Bypass	Voltage (V)	220 V	230 V	240 V	220 V	230 V	240 V
	Connections	L, N, PE					
	Overload capacity	110% continuous; 125% for 10 minutes; 150% for 1 minute					
	Output voltage regulation	± 1%					
	Dynamic load response	20 milliseconds					
	Output power factor	0.8					
	Nominal output current (A)	91	87	83	91	87	83
	Total harmonic distortion (THDU)	<2% at 100% linear load; <4% at 100% non-linear load					
	Output frequency (Hz)	50 ± 1%					
	Output short-circuit current at 60 ms (A)	272					
	Output performance classification (according to IEC/ EN62040-3)	VFI-SS-111					

3. TN, TT, and IT power distribution systems are supported. Corner (line) grounding is not supported.
 4. With filter.

Battery	Battery blocks supported	16-20
	Charging current	The charging current is determined by the battery capacity. Default is 0.1 C.
	Maximum charging power (kW)	10.8
	Nominal battery voltage (VDC)	192-240
	Nominal float voltage (VDC)	216-270
	End of discharge voltage (full load) (VDC)	153.6-192
	Battery current at full load and nominal battery voltage (A)	80
	Battery current at full load and minimum battery voltage (A)	112
	Temperature compensation (per cell)	-3.3 mV per °C for $T \geq 25$ °C, 0 mV per °C for $T < 25$ °C

Specifications for 30 kVA 3:1 220 VDC UPS

	6 pulses			12 pulses			
	Voltage (V)	380 V	400 V	415 V	380 V	400 V	415 V
Connections	L1, L2, L3, PE ⁵						
Input voltage range (V)	304-456						
Frequency (Hz)	45-55						
Nominal input current (A)	58	55	53	59	56	54	
Maximum input current (A)	73	69	67	73	70	67	
Input current limitation (A)	100						
Total harmonic distortion (THDI) ⁶	6 pulses ≤15%			12 pulses ≤10%			
Input power factor ⁶	≥0.9						
Maximum short circuit rating	I _{cc} =10 kA						
Protection	Breaker						
Ramp-in	15 seconds						
Input	Voltage (V)	220 V	230 V	240 V	220 V	230 V	240 V
	Connections	L, N, PE					
	Overload capacity	110% continuous; 125% for 10 minutes; 150% for 1 minute					
	Bypass voltage range (V)	165-275					
	Frequency (Hz)	50					
	Nominal bypass current (A)	136	130	125	136	130	125
	Nominal neutral current (A)	136	130	125	136	130	125
	Maximum short circuit rating	I _{cc} =10 kA					
Bypass	Voltage (V)	220 V	230 V	240 V	220 V	230 V	240 V
	Connections	L, N, PE					
	Overload capacity	110% continuous; 125% for 10 minutes; 150% for 1 minute					
	Output voltage regulation	± 1%					
	Dynamic load response	20 milliseconds					
	Output power factor	0.8					
	Nominal output current (A)	136	130	125	136	130	125
	Total harmonic distortion (THDU)	<2% at 100% linear load; <4% at 100% non-linear load					
	Output frequency (Hz)	50 ± 1%					
	Output short-circuit current at 60 ms (A)	408					
	Output performance classification (according to IEC/ EN62040-3)	VFI-SS-111					

5. TN, TT, and IT power distribution systems are supported. Corner (line) grounding is not supported.
 6. With filter.

Battery	Battery blocks supported	16-20
	Charging current	The charging current is determined by the battery capacity. Default is 0.1 C.
	Maximum charging power (kW)	10.8
	Nominal battery voltage (VDC)	192-240
	Nominal float voltage (VDC)	216-270
	End of discharge voltage (full load) (VDC)	153.6-192
	Battery current at full load and nominal battery voltage (A)	119
	Battery current at full load and minimum battery voltage (A)	168
	Temperature compensation (per cell)	-3.3 mV per °C for $T \geq 25$ °C, 0 mV per °C for $T < 25$ °C

Specifications for 40 kVA 3:1 220 VDC UPS

Input	Voltage (V)	380 V	400 V	415 V
	Connections	L1, L2, L3, PE ⁷		
	Input voltage range (V)	304-456		
	Frequency (Hz)	45-55		
	Nominal input current (A)	75	71	69
	Maximum input current (A)	94	89	86
	Total harmonic distortion (THDI) ⁸	12 pulses ≤10%		
	Input power factor ⁸	≥0.9		
	Maximum short circuit rating	I _{cc} =10 kA		
	Protection	Breaker		
	Ramp-in	15 seconds		
Bypass	Voltage (V)	220 V	230 V	240 V
	Connections	L, N, PE		
	Overload capacity	110% continuous; 125% for 10 minutes; 150% for 1 minute		
	Bypass voltage range (V)	165-275		
	Frequency (Hz)	50		
	Nominal bypass current (A)	182	174	167
	Maximum short circuit rating	I _{cc} =10 kA		
Output	Voltage (V)	220 V	230 V	240 V
	Connections	L, N, PE		
	Overload capacity	110% continuous; 125% for 10 minutes; 150% for 1 minute		
	Output voltage regulation	± 1%		
	Dynamic load response	20 milliseconds		
	Output power factor	0.8		
	Nominal output current (A)	182	174	167
	Total harmonic distortion (THDU)	<2% at 100% linear load; <4% at 100% non-linear load		
	Output frequency (Hz)	50 ± 1%		
	Output short-circuit current at 60 ms (A)	546		
	Output performance classification (according to IEC/ EN62040-3)	VFI-SS-111		

7. TN, TT, and IT power distribution systems are supported. Corner (line) grounding is not supported.

8. With filter.

Battery	Battery blocks supported	16-20
	Charging current	The charging current is determined by the battery capacity. Default is 0.1 C.
	Maximum charging power (kW)	10.8
	Nominal battery voltage (VDC)	192-240
	Nominal float voltage (VDC)	216-270
	End of discharge voltage (full load) (VDC)	153.6-192
	Battery current at full load and nominal battery voltage (A)	159
	Battery current at full load and minimum battery voltage (A)	224
	Temperature compensation (per cell)	-3.3 mV per °C for $T \geq 25$ °C, 0 mV per °C for $T < 25$ °C

Specifications for 50 kVA 3:1 220 VDC UPS

Input	Voltage (V)	380 V	400 V	415 V
	Connections	L1, L2, L3, PE ⁹		
	Input voltage range (V)	304-456		
	Frequency (Hz)	45-55		
	Nominal input current (A)	94	89	86
	Maximum input current (A)	118	112	108
	Total harmonic distortion (THDI) ¹⁰	12 pulses ≤10%		
	Input power factor ¹⁰	≥0.9		
	Maximum short circuit rating	I _{cc} =10 kA		
	Protection	Breaker		
	Ramp-in	15 seconds		
Bypass	Voltage (V)	220 V	230 V	240 V
	Connections	L, N, PE		
	Overload capacity	110% continuous; 125% for 10 minutes; 150% for 1 minute		
	Bypass voltage range (V)	165-275		
	Frequency (Hz)	50		
	Nominal bypass current (A)	227	217	208
	Maximum short circuit rating	I _{cc} =10 kA		
Output	Voltage (V)	220 V	230 V	240 V
	Connections	L, N, PE		
	Overload capacity	110% continuous; 125% for 10 minutes; 150% for 1 minute		
	Output voltage regulation	± 1%		
	Dynamic load response	20 milliseconds		
	Output power factor	0.8		
	Nominal output current (A)	227	217	208
	Total harmonic distortion (THDU)	<2% at 100% linear load; <4% at 100% non-linear load		
	Output frequency (Hz)	50 ± 1%		
	Output short-circuit current at 60 ms (A)	681		
	Output performance classification (according to IEC/ EN62040-3)	VFI-SS-111		

9. TN, TT, and IT power distribution systems are supported. Corner (line) grounding is not supported.
 10. With filter.

Battery	Battery blocks supported	16-20
	Charging current	The charging current is determined by the battery capacity. Default is 0.1 C.
	Maximum charging power (kW)	10.8
	Nominal battery voltage (VDC)	192-240
	Nominal float voltage (VDC)	216-270
	End of discharge voltage (full load) (VDC)	153.6-192
	Battery current at full load and nominal battery voltage (A)	199
	Battery current at full load and minimum battery voltage (A)	280
	Temperature compensation (per cell)	-3.3 mV per °C for T ≥ 25 °C, 0 mV per °C for T < 25 °C

Specifications for 60 kVA 3:1 220 VDC UPS

Input	Voltage (V)	380 V	400 V	415 V
	Connections	L1, L2, L3, PE ¹¹		
	Input voltage range (V)	304-456		
	Frequency (Hz)	45-55		
	Nominal input current (A)	113	107	103
	Maximum input current (A)	141	134	129
	Total harmonic distortion (THDI) ¹²	12 pulses ≤10%		
	Input power factor ¹²	≥0.9		
	Maximum short circuit rating	I _{cc} =10 kA		
	Protection	Breaker		
	Ramp-in	15 seconds		
Bypass	Voltage (V)	220 V	230 V	240 V
	Connections	L, N, PE		
	Overload capacity	110% continuous; 125% for 10 minutes; 150% for 1 minute		
	Bypass voltage range (V)	165-275		
	Frequency (Hz)	50		
	Nominal bypass current (A)	273	261	250
	Maximum short circuit rating	I _{cc} =10 kA		
Output	Voltage (V)	220 V	230 V	240 V
	Connections	L, N, PE		
	Overload capacity	110% continuous; 125% for 10 minutes; 150% for 1 minute		
	Output voltage regulation	± 1%		
	Dynamic load response	20 milliseconds		
	Output power factor	0.8		
	Nominal output current (A)	273	261	250
	Total harmonic distortion (THDU)	<2% at 100% linear load; <4% at 100% non-linear load		
	Output frequency (Hz)	50 ± 1%		
	Output short-circuit current at 60 ms (A)	819		
	Output performance classification (according to IEC/ EN62040-3)	VFI-SS-111		

11. TN, TT, and IT power distribution systems are supported. Corner (line) grounding is not supported.

12. With filter.

Battery	Battery blocks supported	16-20
	Charging current	The charging current is determined by the battery capacity. Default is 0.1 C.
	Maximum charging power (kW)	10.8
	Nominal battery voltage (VDC)	192-240
	Nominal float voltage (VDC)	216-270
	End of discharge voltage (full load) (VDC)	153.6-192
	Battery current at full load and nominal battery voltage (A)	239
	Battery current at full load and minimum battery voltage (A)	336
	Temperature compensation (per cell)	-3.3 mV per °C for $T \geq 25$ °C, 0 mV per °C for $T < 25$ °C

Specifications for 80 kVA 3:1 220 VDC UPS

Input	Voltage (V)	380 V	400 V	415 V
	Connections	L1, L2, L3, PE ¹³		
	Input voltage range (V)	304-456		
	Frequency (Hz)	45-55		
	Nominal input current (A)	149	142	137
	Maximum input current (A)	186	177	171
	Total harmonic distortion (THDI) ¹⁴	12 pulses ≤10%		
	Input power factor ¹⁴	≥0.9		
	Maximum short circuit rating	I _{cc} =10 kA		
	Protection	Breaker		
	Ramp-in	15 seconds		
Bypass	Voltage (V)	220 V	230 V	240 V
	Connections	L, N, PE		
	Overload capacity	110% continuous; 125% for 10 minutes; 150% for 1 minute		
	Bypass voltage range (V)	165-275		
	Frequency (Hz)	50		
	Nominal bypass current (A)	364	348	333
	Maximum short circuit rating	I _{cc} =10 kA		
Output	Voltage (V)	220 V	230 V	240 V
	Connections	L, N, PE		
	Overload capacity	110% continuous; 125% for 10 minutes; 150% for 1 minute		
	Output voltage regulation	± 1%		
	Dynamic load response	20 milliseconds		
	Output power factor	0.8		
	Nominal output current (A)	364	348	333
	Total harmonic distortion (THDU)	<2% at 100% linear load; <4% at 100% non-linear load		
	Output frequency (Hz)	50 ± 1%		
	Output short-circuit current at 60 ms (A)	1000		
	Output performance classification (according to IEC/ EN62040-3)	VFI-SS-111		

13. TN, TT, and IT power distribution systems are supported. Corner (line) grounding is not supported.

14. With filter.

Battery	Battery blocks supported	16-20
	Charging current	The charging current is determined by the battery capacity. Default is 0.1 C.
	Maximum charging power (kW)	10.8
	Nominal battery voltage (VDC)	192-240
	Nominal float voltage (VDC)	216-270
	End of discharge voltage (full load) (VDC)	153.6-192
	Battery current at full load and nominal battery voltage (A)	319
	Battery current at full load and minimum battery voltage (A)	448
	Temperature compensation (per cell)	-3.3 mV per °C for $T \geq 25$ °C, 0 mV per °C for $T < 25$ °C

Specifications for 100 kVA 3:1 220 VDC UPS

Input	Voltage (V)	380 V	400 V	415 V
	Connections	L1, L2, L3, PE ¹⁵		
	Input voltage range (V)	304-456		
	Frequency (Hz)	45-55		
	Nominal input current (A)	186	177	171
	Maximum input current (A)	233	221	213
	Total harmonic distortion (THDI) ¹⁶	12 pulses ≤10%		
	Input power factor ¹⁶	≥0.9		
	Maximum short circuit rating	I _{cc} =10 kA		
	Protection	Breaker		
	Ramp-in	15 seconds		
Bypass	Voltage (V)	220 V	230 V	240 V
	Connections	L, N, PE		
	Overload capacity	110% continuous; 125% for 10 minutes; 150% for 1 minute		
	Bypass voltage range (V)	165-275		
	Frequency (Hz)	50		
	Nominal bypass current (A)	455	435	417
	Maximum short circuit rating	I _{cc} =10 kA		
Output	Voltage (V)	220 V	230 V	240 V
	Connections	L, N, PE		
	Overload capacity	110% continuous; 125% for 10 minutes; 150% for 1 minute		
	Output voltage regulation	± 1%		
	Dynamic load response	20 milliseconds		
	Output power factor	0.8		
	Nominal output current (A)	455	435	417
	Total harmonic distortion (THDU)	<2% at 100% linear load; <4% at 100% non-linear load		
	Output frequency (Hz)	50 ± 1%		
	Output short-circuit current at 60 ms (A)	1100		
	Output performance classification (according to IEC/ EN62040-3)	VFI-SS-111		

15. TN, TT, and IT power distribution systems are supported. Corner (line) grounding is not supported.

16. With filter.

Battery	Battery blocks supported	16-20
	Charging current	The charging current is determined by the battery capacity. Default is 0.1 C.
	Maximum charging power (kW)	10.8
	Nominal battery voltage (VDC)	192-240
	Nominal float voltage (VDC)	216-270
	End of discharge voltage (full load) (VDC)	153.6-192
	Battery current at full load and nominal battery voltage (A)	398
	Battery current at full load and minimum battery voltage (A)	560
	Temperature compensation (per cell)	-3.3 mV per °C for $T \geq 25$ °C, 0 mV per °C for $T < 25$ °C

Specifications for 120 kVA 3:1 220 VDC UPS

Input	Voltage (V)	380 V	400 V	415 V
	Connections	L1, L2, L3, PE ¹⁷		
	Input voltage range (V)	304-456		
	Frequency (Hz)	45-55		
	Nominal input current (A)	243	231	223
	Maximum input current (A)	304	289	278
	Total harmonic distortion (THDI) ¹⁸	12 pulses ≤10%		
	Input power factor ¹⁸	≥0.9		
	Maximum short circuit rating	I _{cc} =16 kA		
	Protection	Breaker		
	Ramp-in	15 seconds		
Bypass	Voltage (V)	220 V	230 V	240 V
	Connections	L, N, PE		
	Overload capacity	110% continuous; 125% for 10 minutes; 150% for 1 minute		
	Bypass voltage range (V)	165-275		
	Frequency (Hz)	50		
	Nominal bypass current (A)	545	522	500
	Maximum short circuit rating	I _{cc} =16 kA		
Output	Voltage (V)	220 V	230 V	240 V
	Connections	L, N, PE		
	Overload capacity	110% continuous; 125% for 10 minutes; 150% for 1 minute		
	Output voltage regulation	± 1%		
	Dynamic load response	20 milliseconds		
	Output power factor	0.8		
	Nominal output current (A)	545	522	500
	Total harmonic distortion (THDU)	<2% at 100% linear load; <4% at 100% non-linear load		
	Output frequency (Hz)	50 ± 1%		
	Output short-circuit current at 60 ms (A)	1500		
	Output performance classification (according to IEC/ EN62040-3)	VFI-SS-111		

17. TN, TT, and IT power distribution systems are supported. Corner (line) grounding is not supported.

18. With filter.

Battery	Battery blocks supported	16-20
	Charging current	The charging current is determined by the battery capacity. Default is 0.1 C.
	Maximum charging power (kW)	10.8
	Nominal battery voltage (VDC)	192-240
	Nominal float voltage (VDC)	216-270
	End of discharge voltage (full load) (VDC)	153.6-192
	Battery current at full load and nominal battery voltage (A)	478
	Battery current at full load and minimum battery voltage (A)	672
	Temperature compensation (per cell)	-3.3 mV per °C for T ≥ 25 °C, 0 mV per °C for T < 25 °C

Specifications for 10 kVA 3:1 384 VDC UPS

Input	Voltage (V)	380 V	400 V	415 V
	Connections	L1, L2, L3, PE ¹⁹		
	Input voltage range (V)	304-456		
	Frequency (Hz)	45-55		
	Nominal input current (A)	24	23	22
	Maximum input current (A)	30	28	27
	Input current limitation (A)	60		
	Total harmonic distortion (THDI) ²⁰	6 pulses ≤15%		
	Input power factor ²⁰	≥ 0.9		
	Maximum short circuit rating	I _{cc} =10 kA		
	Protection	Breaker		
	Ramp-in	15 seconds		
	Bypass	Voltage (V)	220 V	230 V
Connections		L, N, PE		
Overload capacity		≤110% continuous; 125% for 10 minutes; 150% for 1 minute		
Bypass voltage range (V)		165-275		
Frequency (Hz)		50		
Nominal bypass current (A)		45	43	42
Nominal neutral current (A)		45	43	42
Maximum short circuit rating		I _{cc} =10 kA		
Output	Voltage (V)	220 V	230 V	240 V
	Connections	L, N, PE		
	Overload capacity	110% continuous; 125% for 10 minutes; 150% for 1 minute		
	Output voltage regulation	± 1%		
	Dynamic load response	20 milliseconds		
	Output power factor	0.8		
	Nominal output current (A)	45	43	42
	Total harmonic distortion (THDU)	<2% at 100% linear load; <4% at 100% non-linear load		
	Output frequency (Hz)	50 ± 1%		
	Output short-circuit current at 60 ms (A)	136		
	Output performance classification (according to IEC/ EN62040-3)	VFI-SS-111		

19. TN, TT, and IT power distribution systems are supported. Corner (line) grounding is not supported.

20. With filter.

Battery	Battery blocks supported	29-32
	Charging current	The charging current is determined by the battery capacity. Default is 0.1 C.
	Maximum charging power (kW)	8
	Nominal battery voltage (VDC)	348-384
	Nominal float voltage (VDC)	391.5-432
	End of discharge voltage (full load) (VDC)	304
	Battery current at full load and nominal battery voltage (A)	25
	Battery current at full load and minimum battery voltage (A)	29
	Temperature compensation (per cell)	-3.3 mV per °C for $T \geq 25$ °C, 0 mV per °C for $T < 25$ °C

Specifications for 20 kVA 3:1 384 VDC UPS

Input	Voltage (V)	380 V	400 V	415 V
	Connections	L1, L2, L3, PE ²¹		
	Input voltage range (V)	304-456		
	Frequency (Hz)	45-55		
	Nominal input current (A)	42	40	39
	Maximum input current (A)	52	50	48
	Input current limitation (A)	60		
	Total harmonic distortion (THDI) ²²	6 pulses ≤15%		
	Input power factor ²²	≥ 0.9		
	Maximum short circuit rating	Icc=10 kA		
	Protection	Breaker		
	Ramp-in	15 seconds		
	Bypass	Voltage (V)	220 V	230 V
Connections		L, N, PE		
Overload capacity		110% continuous; 125% for 10 minutes; 150% for 1 minute		
Bypass voltage range (V)		165-275		
Frequency (Hz)		50		
Nominal bypass current (A)		91	87	83
Nominal neutral current (A)		91	87	83
Maximum short circuit rating		Icc=10 kA		
Output	Voltage (V)	220 V	230 V	240 V
	Connections	L, N, PE		
	Overload capacity	110% continuous; 125% for 10 minutes; 150% for 1 minute		
	Output voltage regulation	± 1%		
	Dynamic load response	20 milliseconds		
	Output power factor	0.8		
	Nominal output current (A)	91	87	83
	Total harmonic distortion (THDU)	<2% at 100% linear load; <4% at 100% non-linear load		
	Output frequency (Hz)	50 ± 1%		
	Output short-circuit current at 60 ms (A)	272		
	Output performance classification (according to IEC/ EN62040-3)	VFI-SS-111		

21. TN, TT, and IT power distribution systems are supported. Corner (line) grounding is not supported.

22. With filter.

Battery	Battery blocks supported	29-32
	Charging current	The charging current is determined by the battery capacity. Default is 0.1 C.
	Maximum charging power (kW)	16
	Nominal battery voltage (VDC)	348-384
	Nominal float voltage (VDC)	391.5-432
	End of discharge voltage (full load) (VDC)	304
	Battery current at full load and nominal battery voltage (A)	49
	Battery current at full load and minimum battery voltage (A)	57
	Temperature compensation (per cell)	-3.3 mV per °C for $T \geq 25$ °C, 0 mV per °C for $T < 25$ °C

Specifications for 30 kVA 3:1 384 VDC UPS

Input	Voltage (V)	380 V	400 V	415 V
	Connections	L1, L2, L3, PE ²³		
	Input voltage range (V)	304-456		
	Frequency (Hz)	45-55		
	Nominal input current (A)	62	59	57
	Maximum input current (A)	77	73	71
	Input current limitation (A)	100		
	Total harmonic distortion (THDI) ²⁴	6 pulses ≤15%		
	Input power factor ²⁴	≥ 0.9		
	Maximum short circuit rating	I _{cc} =10 kA		
	Protection	Breaker		
	Ramp-in	15 seconds		
	Bypass	Voltage (V)	220 V	230 V
Connections		L, N, PE		
Overload capacity		≤110% continuous; 125% for 10 minutes; 150% for 1 minute		
Bypass voltage range (V)		165-275		
Frequency (Hz)		50		
Nominal bypass current (A)		136	130	125
Nominal neutral current (A)		136	130	125
Maximum short circuit rating		I _{cc} =10 kA		
Output	Voltage (V)	220 V	230 V	240 V
	Connections	L, N, PE		
	Overload capacity	110% continuous; 125% for 10 minutes; 150% for 1 minute		
	Output voltage regulation	± 1%		
	Dynamic load response	20 milliseconds		
	Output power factor	0.8		
	Nominal output current (A)	136	130	125
	Total harmonic distortion (THDU)	<2% at 100% linear load; <4% at 100% non-linear load		
	Output frequency (Hz)	50 ± 1%		
	Output short-circuit current at 60 ms (A)	409		
	Output performance classification (according to IEC/ EN62040-3)	VFI-SS-111		

23. TN, TT, and IT power distribution systems are supported. Corner (line) grounding is not supported.

24. With filter.

Battery	Battery blocks supported	29-32
	Charging current	The charging current is determined by the battery capacity. Default is 0.1 C.
	Maximum charging power (kW)	19.2
	Nominal battery voltage (VDC)	348-384
	Nominal float voltage (VDC)	391.5-432
	End of discharge voltage (full load) (VDC)	304
	Battery current at full load and nominal battery voltage (A)	74
	Battery current at full load and minimum battery voltage (A)	86
	Temperature compensation (per cell)	-3.3 mV per °C for T ≥ 25 °C, 0 mV per °C for T < 25 °C

Specifications for 40 kVA 3:1 384 VDC UPS

Input	Voltage (V)	380 V	400 V	415 V
	Connections	L1, L2, L3, PE ²⁵		
	Input voltage range (V)	304-456		
	Frequency (Hz)	45-55		
	Nominal input current (A)	78	74	72
	Maximum input current (A)	97	92	90
	Input current limitation (A)	125		
	Total harmonic distortion (THDI) ²⁶	6 pulses ≤15%		
	Input power factor ²⁶	≥ 0.9		
	Maximum short circuit rating	I _{cc} =10 kA		
	Protection	Breaker		
	Ramp-in	15 seconds		
Bypass	Voltage (V)	220 V	230 V	240 V
	Connections	L, N, PE		
	Overload capacity	≤110% continuous; 125% for 10 minutes; 150% for 1 minute		
	Bypass voltage range (V)	165-275		
	Frequency (Hz)	50		
	Nominal bypass current (A)	182	174	167
	Nominal neutral current (A)	182	174	167
	Maximum short circuit rating	I _{cc} =10 kA		
Output	Voltage (V)	220 V	230 V	240 V
	Connections	L, N, PE		
	Overload capacity	110% continuous; 125% for 10 minutes; 150% for 1 minute		
	Output voltage regulation	± 1%		
	Dynamic load response	20 milliseconds		
	Output power factor	0.8		
	Nominal output current (A)	182	174	167
	Total harmonic distortion (THDU)	<2% at 100% linear load; <4% at 100% non-linear load		
	Output frequency (Hz)	50 ± 1%		
	Output short-circuit current at 60 ms (A)	545		
	Output performance classification (according to IEC/ EN62040-3)	VFI-SS-111		

25. TN, TT, and IT power distribution systems are supported. Corner (line) grounding is not supported.

26. With filter.

Battery	Battery blocks supported	29-32
	Charging current	The charging current is determined by the battery capacity. Default is 0.1 C.
	Maximum charging power (kW)	19.2
	Nominal battery voltage (VDC)	348-384
	Nominal float voltage (VDC)	391.5-432
	End of discharge voltage (full load) (VDC)	304
	Battery current at full load and nominal battery voltage (A)	99
	Battery current at full load and minimum battery voltage (A)	114
	Temperature compensation (per cell)	-3.3 mV per °C for $T \geq 25$ °C, 0 mV per °C for $T < 25$ °C

Specifications for 60 kVA 3:1 384 VDC UPS

Input	Voltage (V)	380 V	400 V	415 V
	Connections	L1, L2, L3, PE ²⁷		
	Input voltage range (V)	304-456		
	Frequency (Hz)	45-55		
	Nominal input current (A)	120	114	111
	Maximum input current (A)	150	142	138
	Input current limitation (A)	160		
	Total harmonic distortion (THDI) ²⁸	6 pulses ≤15%		
	Input power factor ²⁸	≥ 0.9		
	Maximum short circuit rating	I _{cc} =10 kA		
	Protection	Breaker		
	Ramp-in	15 seconds		
Bypass	Voltage (V)	220 V	230 V	240 V
	Connections	L, N, PE		
	Overload capacity	≤110% continuous; 125% for 10 minutes; 150% for 1 minute		
	Bypass voltage range (V)	165-275		
	Frequency (Hz)	50		
	Nominal bypass current (A)	273	261	250
	Nominal neutral current (A)	273	261	250
	Maximum short circuit rating	I _{cc} =10 kA		
Output	Voltage (V)	220 V	230 V	240 V
	Connections	L, N, PE		
	Overload capacity	110% continuous; 125% for 10 minutes; 150% for 1 minute		
	Output voltage regulation	± 1%		
	Dynamic load response	20 milliseconds		
	Output power factor	0.8		
	Nominal output current (A)	273	261	250
	Total harmonic distortion (THDU)	<2% at 100% linear load; <4% at 100% non-linear load		
	Output frequency (Hz)	50 ± 1%		
	Output short-circuit current at 60 ms (A)	818		
	Output performance classification (according to IEC/ EN62040-3)	VFI-SS-111		

27. TN, TT, and IT power distribution systems are supported. Corner (line) grounding is not supported.

28. With filter.

Battery	Battery blocks supported	29-32
	Charging current	The charging current is determined by the battery capacity. Default is 0.1 C.
	Maximum charging power (kW)	19.2
	Nominal battery voltage (VDC)	348-384
	Nominal float voltage (VDC)	391.5-432
	End of discharge voltage (full load) (VDC)	304
	Battery current at full load and nominal battery voltage (A)	148
	Battery current at full load and minimum battery voltage (A)	172
	Temperature compensation (per cell)	-3.3 mV per °C for $T \geq 25$ °C, 0 mV per °C for $T < 25$ °C

Specifications for 80 kVA 3:1 384 VDC UPS

Input	Voltage (V)	380 V	400 V	415 V
	Connections	L1, L2, L3, PE ²⁹		
	Input voltage range (V)	304-456		
	Frequency (Hz)	45-55		
	Nominal input current (A)	155	148	143
	Maximum input current (A)	193	185	178
	Input current limitation (A)	200		
	Total harmonic distortion (THDI) ³⁰	6 pulses ≤15%		
	Input power factor ³⁰	≥ 0.9		
	Maximum short circuit rating	I _{cc} =10 kA		
	Protection	Breaker		
	Ramp-in	15 seconds		
	Bypass	Voltage (V)	220 V	230 V
Connections		L, N, PE		
Overload capacity		≤110% continuous; 125% for 10 minutes; 150% for 1 minute		
Bypass voltage range (V)		165-275		
Frequency (Hz)		50		
Nominal bypass current (A)		364	348	333
Nominal neutral current (A)		364	348	333
Maximum short circuit rating		I _{cc} =10 kA		
Output	Voltage (V)	220 V	230 V	240 V
	Connections	L, N, PE		
	Overload capacity	110% continuous; 125% for 10 minutes; 150% for 1 minute		
	Output voltage regulation	± 1%		
	Dynamic load response	20 milliseconds		
	Output power factor	0.8		
	Nominal output current (A)	364	348	333
	Total harmonic distortion (THDU)	<2% at 100% linear load; <4% at 100% non-linear load		
	Output frequency (Hz)	50 ± 1%		
	Output short-circuit current at 60 ms (A)	1090		
	Output performance classification (according to IEC/ EN62040-3)	VFI-SS-111		

29. TN, TT, and IT power distribution systems are supported. Corner (line) grounding is not supported.
 30. With filter.

Battery	Battery blocks supported	29-32
	Charging current	The charging current is determined by the battery capacity. Default is 0.1 C.
	Maximum charging power (kW)	19.2
	Nominal battery voltage (VDC)	348-384
	Nominal float voltage (VDC)	391.5-432
	End of discharge voltage (full load) (VDC)	304
	Battery current at full load and nominal battery voltage (A)	198
	Battery current at full load and minimum battery voltage (A)	229
	Temperature compensation (per cell)	-3.3 mV per °C for $T \geq 25\text{ °C}$, 0 mV per °C for $T < 25\text{ °C}$

Recommended Upstream Protection and Cable Sizes for 3:1 UPS

⚡ ⚠ DANGER

HAZARD OF ELECTRIC SHOCK, EXPLOSION, OR ARC FLASH

All wiring must comply with all applicable national and/or electrical codes. The maximum allowable cable size is 95 mm².

Failure to follow these instructions will result in death or serious injury.

NOTE: Overcurrent protection to be provided by others.

Cable sizes in this manual are based on table B.52.12 of IEC 60364-5-52 with the following assertions:

- 90 °C conductors
- An ambient temperature of 30 °C
- Use of copper conductors
- Installation method F
- For AC cables: Maximum length 50 m with a line voltage drop <3%
- For DC cables: Maximum length 15 m with a line voltage drop <1%

PE cable size is based on table 54.2 of IEC 60364-4-54.

If the ambient temperature is greater than 30 °C, larger conductors are to be selected in accordance with the correction factors of the IEC.

Recommended Upstream Protection for 3:1 UPS

UPS rating	10 kVA		20 kVA		30 kVA	
	Input	Bypass	Input	Bypass	Input	Bypass
Breaker type	NSX100F TM63D 3P3D (C10F3TM063)	NSX100F TM50D 2P2D (C10F2TM050)	NSX100F TM63D 3P3D (C10F3TM063)	NSX100F TM100D 2P2D (C10F2TM100)	NSX100F TM100D 3P3D (C10F3TM100)	NSX160F TM160D 2P2D (C16F2TM160)
In setting	63	50	63	100	100	160
I _r setting	44	50	50	100	80	160
I _m setting	500 (fixed)	500 (fixed)	500 (fixed)	800 (fixed)	800 (fixed)	1250 (fixed)

UPS rating	40 kVA		50 kVA		60 kVA	
	Input	Bypass	Input	Bypass	Input	Bypass
Breaker type	NSX250F TM200D 3P3D (C25F3TM200)	NSX250F TM200D 3P3D (C25F3TM200)	NSX250F TM200D 3P3D (C25F3TM200)	NSX400F Mic2.3 400A 3P3D (C40F32D400)	NSX250F TM200D 3P3D (C25F3TM200)	NSX400F Mic2.3 400A 3P3D (C40F32D400)
In setting	200	200	200	I _o =230	200	I _o =280
I _r setting	140	200	140	I _r =1	160	I _r =1
I _m setting	8 to 10xI _n	5 to 10xI _n	8 to 10xI _n	I _{sd} =10	8 to 10xI _n	I _{sd} =10

UPS rating	80 kVA		100 kVA		120 kVA	
	Input	Bypass	Input	Bypass	Input	Bypass
Breaker type	NSX250F TM250D 3P3D (C25F3TM250)	NSX400F Mic2.3 400A 3P3D (C40F32D400)	NSX400F Mic2.3 400A 3P3D (C40F32D400)	NSX630F Mic2.3 630A 3P3D (C63F32D630)	NSX400F Mic2.3 400A 3P3D (C40F32D400)	NSX630F Mic2.3 630A 3P3D (C63F32D630)
In setting	250	Io=400	Io=320	Io=500	Io=360	Io=570
Ir setting	200	Ir=0.95	Ir=0.9	Ir=0.95	Ir=0.95	Ir=0.98
Im setting	10xIn	Isd=10	Isd=10	Isd=10	Isd=10	Isd=10

Input, Bypass, and Output Cable Sizes for 3:1 UPS

UPS rating	10 kVA	20 kVA	30 kVA	40 kVA	50 kVA	60 kVA	80 kVA	100 kVA	120 kVA
Input (mm ²)	16	16	16	25	25	35	50	70	2x50
Input PE (mm ²)	16	16	16	16	16	16	16	35	50
Bypass/output (mm ²)	16	25	35	50	70	95	2x70	2x95	2x95
Bypass PE/output PE (mm ²)	16	16	16	25	35	50	70	95	95

Battery Cable Sizes for 3:1 UPS

3:1 220 VDC UPS

UPS rating	10 kVA	20 kVA	30 kVA	40 kVA	50 kVA	60 kVA	80 kVA	100 kVA	120 kVA
DC+/DC- (mm ²)	16	25	35	50	70	95	2x70	2x95	2x95
DC PE (mm ²)	16	16	16	25	35	50	70	95	95

3:1 384 VDC UPS

UPS rating	10 kVA	20 kVA	30 kVA	40 kVA	60 kVA	80 kVA
DC+/DC- (mm ²)	16	16	25	35	50	70
DC PE (mm ²)	16	16	16	16	25	35

Recommended Bolt and Lug Sizes

Cable Size (mm ²)	Bolt Size	Cable Lug Type
10	M8x25 mm	TLK-10-8
16	M8x25 mm	TLK-16-8
25	M8x25 mm	TLK-25-8
35	M8x25 mm	TLK-35-8
50	M8x25 mm	TLK-50-8
70	M8x25 mm	TLL-70-8
95	M8x25 mm	TLL-95-8

Torque Specifications

Bolt Size	Torque
M6	5 Nm
M8	17.5 Nm
M10	30 Nm

Weights and Dimensions for 3:1 UPS

3:1 220 VDC UPS

UPS rating		Weight kg	Height mm	Width mm	Depth mm
10 kVA	6 pulses	480	1800	800	800
	12 pulses	570	1800	800	800
20 kVA	6 pulses	480	1800	800	800
	12 pulses	570	1800	800	800
30 kVA	6 pulses	564	1800	800	800
	12 pulses	600	1800	800	800
40 kVA	12 pulses	686	1800	800	800
50 kVA	12 pulses	953	1800	1200	800
60 kVA	12 pulses	953	1800	1200	800
80 kVA	12 pulses	1083	1800	1200	800
100 kVA	12 pulses	1331	1800	1600	800
120 kVA	12 pulses	1419	1800	1600	800

3:1 384 VDC UPS

UPS rating	Weight kg	Height mm	Width mm	Depth mm
10 kVA	338	1800	800	800
20 kVA	338	1800	800	800
30 kVA	376	1800	800	800
40 kVA	472	1800	800	800
60 kVA	570	1800	800	800
80 kVA	635	1800	800	800

Shipping Weights and Dimensions for 3:1 UPS

3:1 220 VDC UPS

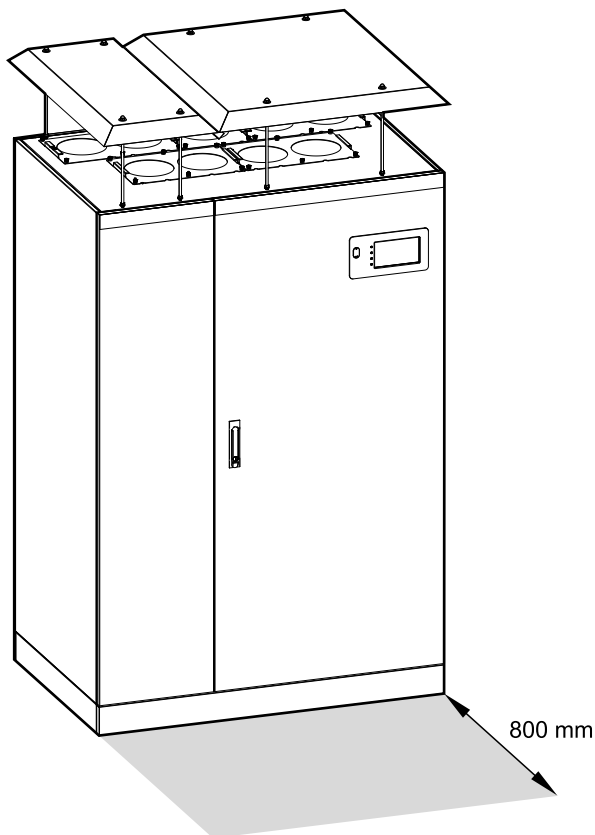
UPS rating		Weight kg	Height mm	Width mm	Depth mm
10 kVA	6 pulses	550	2085	928	928
	12 pulses	640	2085	928	928
20 kVA	6 pulses	550	2085	928	928
	12 pulses	640	2085	928	928
30 kVA	6 pulses	634	2085	928	928
	12 pulses	670	2085	928	928
40 kVA	12 pulses	756	2085	928	928
50 kVA	12 pulses	1040	2085	1328	928
60 kVA	12 pulses	1040	2085	1328	928
80 kVA	12 pulses	1170	2085	1328	928
100 kVA	12 pulses	1425	2085	1728	928
120 kVA	12 pulses	1513	2085	1728	928

3:1 384 VDC UPS

UPS rating	Weight kg	Height mm	Width mm	Depth mm
10 kVA	408	2085	928	928
20 kVA	408	2085	928	928
30 kVA	446	2085	928	928
40 kVA	542	2085	928	928
60 kVA	640	2085	928	928
80 kVA	705	2085	928	928

Clearance

NOTE: Clearance dimensions are published for airflow and service access only. Consult with the local safety codes and standards for additional requirements in your local area.



Environmental

	Operating	Transportation and storage
Temperature	0 °C to 40 °C	-25 °C to 55 °C
Relative humidity	0-95% non-condensing	
Elevation	Designed for operation in 0-2000 m elevation. Derating required from 1000-2000 m: Up to 1000 m: 1.000 Up to 1500 m : 0.975 Up to 2000 m: 0.950	0-10000 m
Audible noise one meter from unit	≤ 70 dB at full load	
Protection class	IP31	
Color	RAL 7035	

Heat Dissipation for 3:1 UPS

3:1 220 VDC UPS

UPS rating	10 kVA		20 kVA		30 kVA	
	6 pulses	12 pulses	6 pulses	12 pulses	6 pulses	12 pulses
Normal operation (W)	1206	1275	2602	2508	3674	3720
Battery operation (W)	754	901	1614	1632	2390	2741
ECO mode (W)	738	796	822	951	1085	1283

3:1 220 VDC UPS

UPS rating	40 kVA	50 kVA	60 kVA	80 kVA	100 kVA	120 kVA
Normal operation (W)	4387	5764	6744	9549	10888	13517
Battery operation (W)	3162	3664	4522	6170	7152	9802
ECO mode (W)	1379	1968	2107	2704	3248	3773

3:1 384 VDC UPS

UPS rating	10 kVA	20 kVA	30 kVA	40 kVA	60 kVA	80 kVA
Normal operation (W)	820	1594	2186	2694	4142	5512
Battery operation (W)	754	1384	1906	2346	3475	4920
ECO mode (W)	521	634	830	851	1325	1482

Compliance

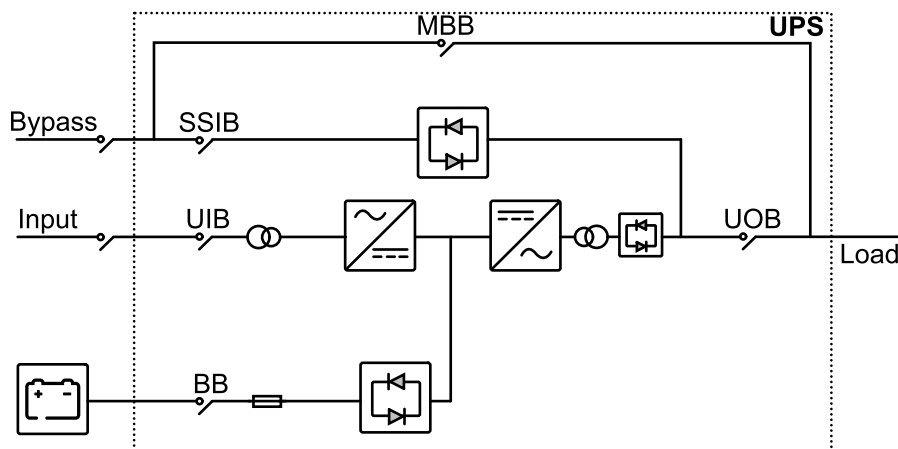
Safety	IEC 62040-1:2017, Edition 2.0, Uninterruptible power systems (UPS) – Part 1: Safety requirements IEC 62040-1:2013-01, 1st edition amendment 1
EMC	IEC 62040-2:2016, Edition 3.0, Uninterruptible power systems (UPS) – Part 2: Electromagnetic compatibility (EMC) requirements. IEC 62040-2:2005-10, Edition 2.0, Uninterruptible Power Systems (UPS) – Part 2: Electromagnetic compatibility (EMC) requirements
Performance	IEC 62040-3: 2011-03, 2nd edition Uninterruptible Power Systems (UPS) - Part 3: Method of specifying the performance and test requirements
Environmental	IEC 62040-4: 2013-04, 1st edition Uninterruptible Power Systems (UPS) - Part 4: Environmental aspects – Requirements and reporting
Transportation	ISTA 2B
Pollution degree	2
Overvoltage category	III
Earthing system	TN-S, TN-C, TT, or IT
Protective class	I

Overview of Configurations

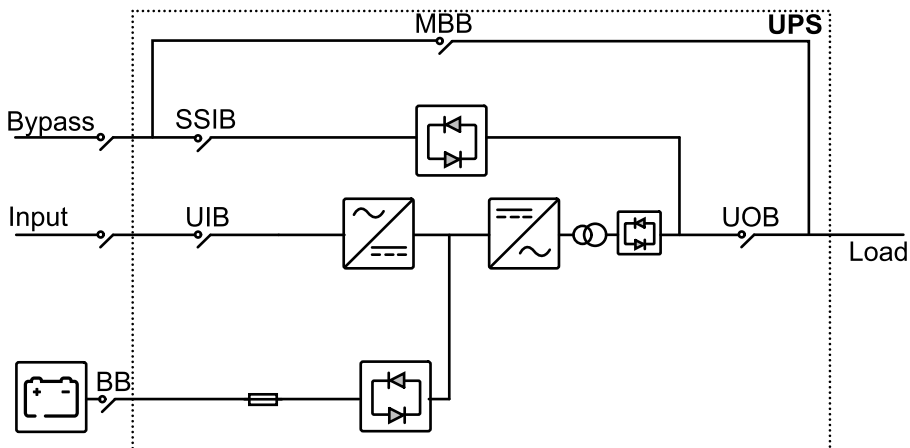
UIB	Unit input breaker
SSIB	Static switch input breaker
BB	Battery breaker
MBB	Maintenance bypass breaker
UOB	Unit output breaker

Overview of Single UPS

3:1 220 VDC UPS

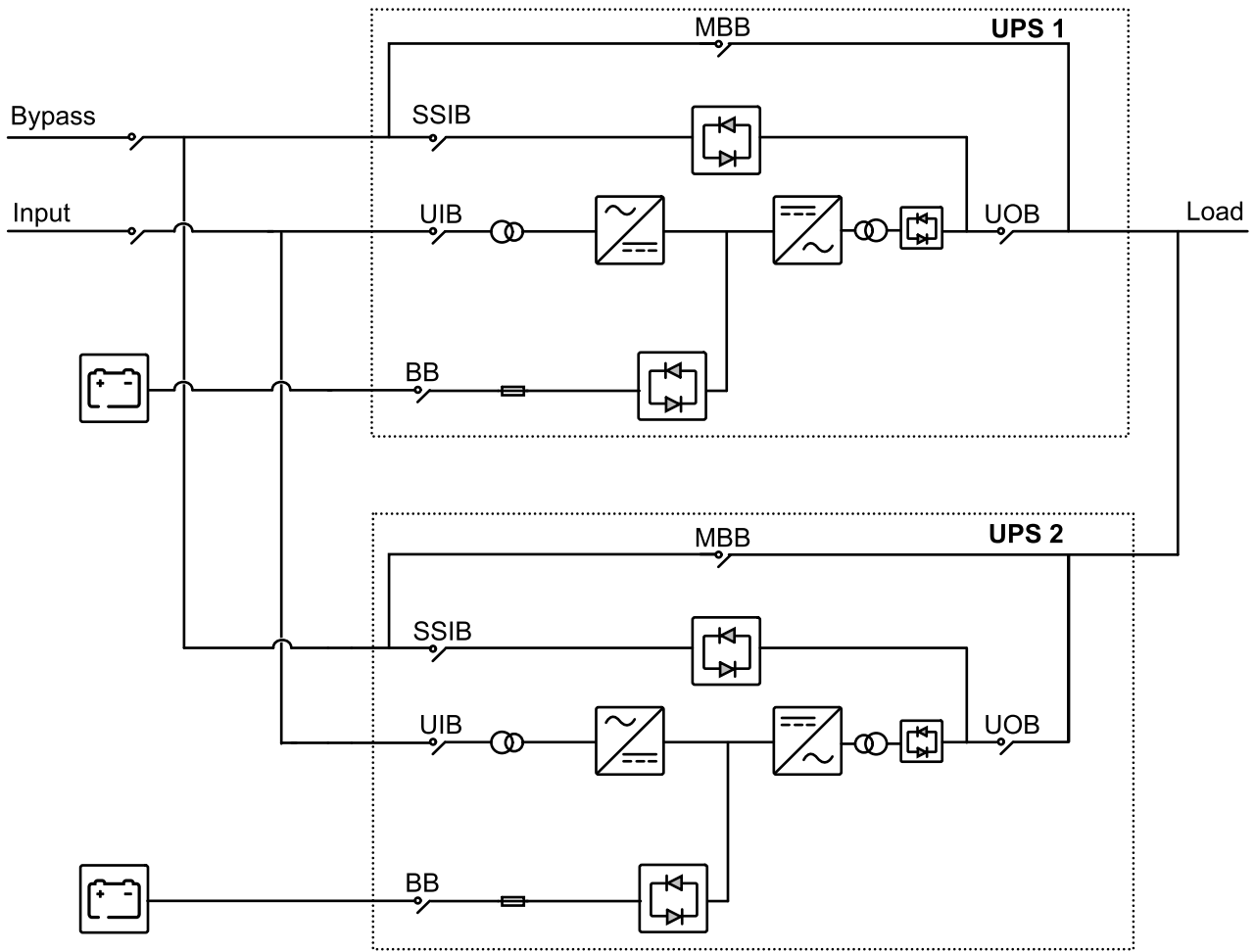


3:1 384 VDC UPS

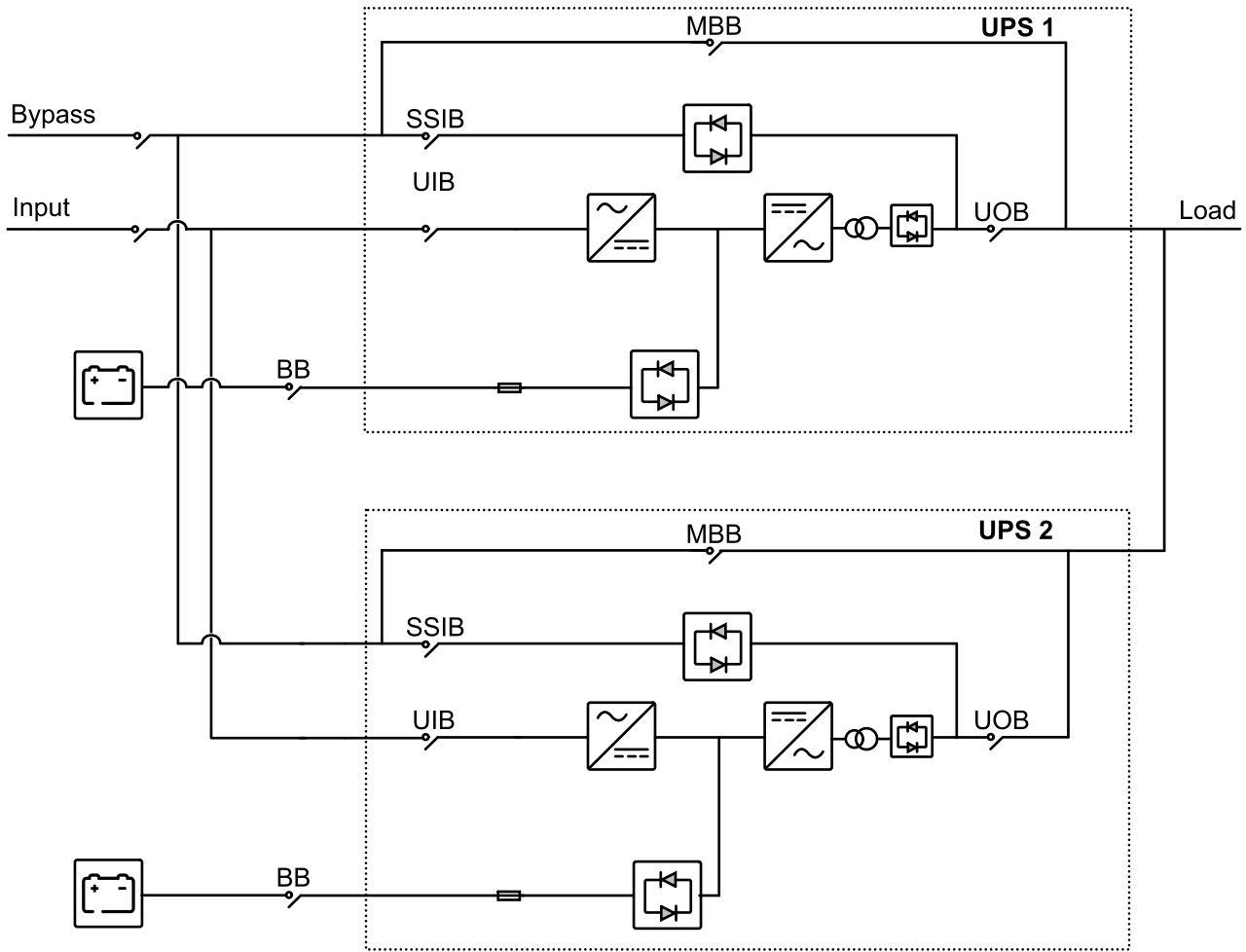


Overview of 1+1 Redundant Parallel System

3:1 220 VDC UPS



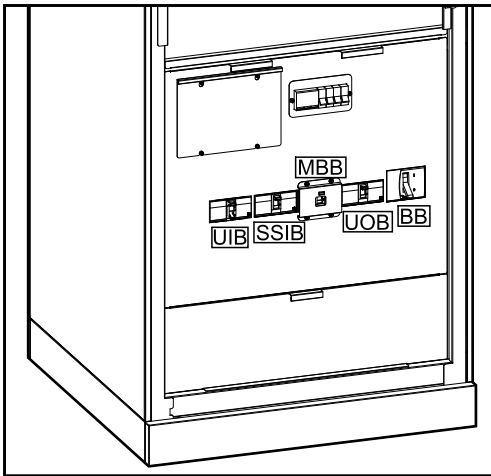
3:1 384 VDC UPS



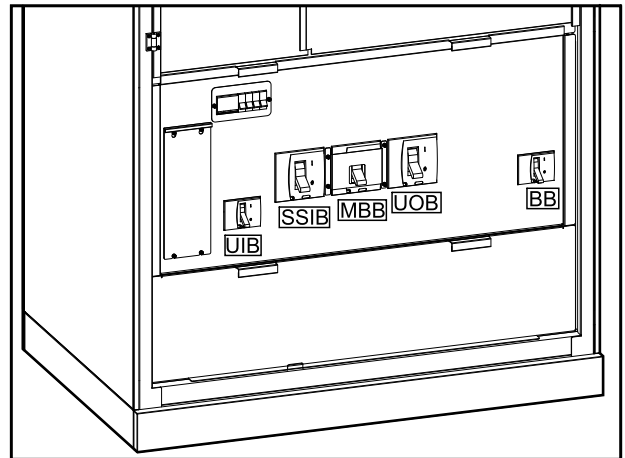
Location of Breakers

Locations of Breakers on the 3:1 UPSs

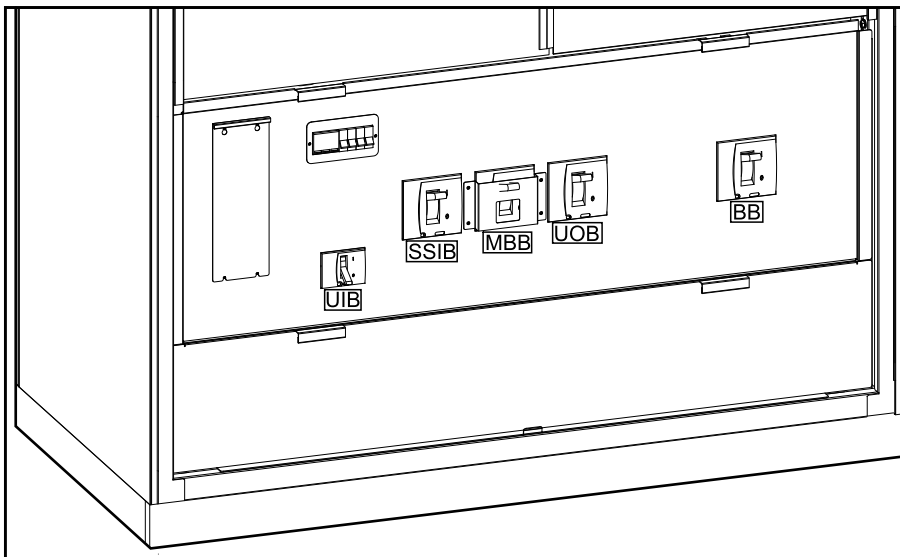
10-40 kVA 3:1 220 VDC UPS



50-80 kVA 3:1 220 VDC UPS

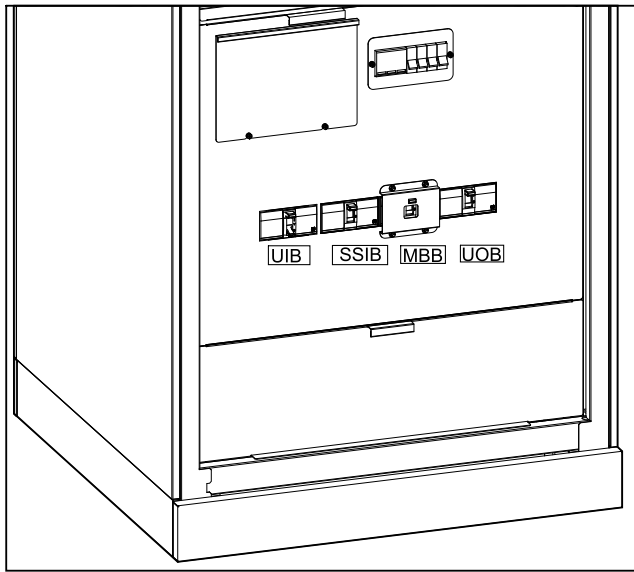


100-120 kVA 3:1 220 VDC UPS

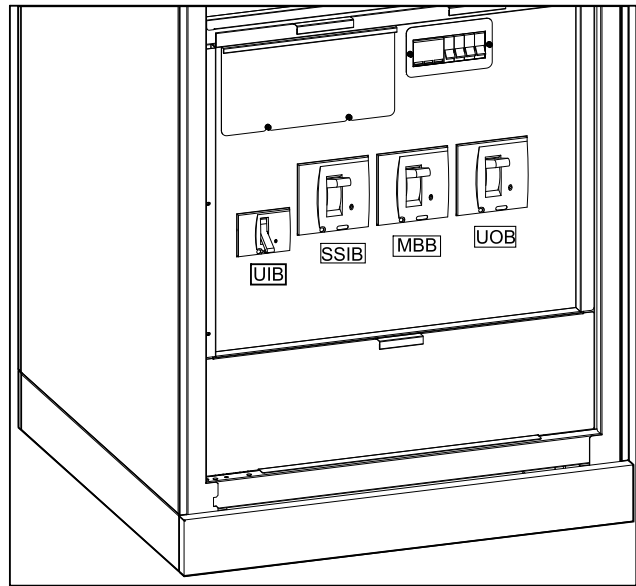


Locations of Breakers on the 3:1 UPSs (Continued)

10-40 kVA 3:1 384 VDC UPS



60-80 kVA 3:1 384 VDC UPS

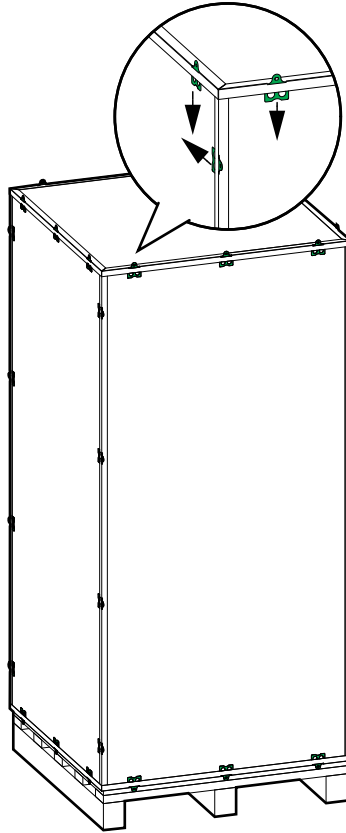


Installation Procedure

1. Remove the UPS from the Pallet, page 56.
2. Install the IP31 Kit, page 58.
3. Connect the power cables. Follow one of the procedures:
 - Connect the Power Cables in a 10-40 kVA 3:1 220 VDC UPS, page 60, or
 - Connect the Power Cables in a 50-80 kVA 3:1 220 VDC UPS, page 61, or
 - Connect the Power Cables in a 100-120 kVA 3:1 220 VDC UPS, page 62.
4. Remove the jumper busbars in 220 VDC UPSs with external charger ONLY. Follow one of the procedures:
 - Remove Jumper Busbars in 10-40 kVA 3:1 220 VDC UPSs with External Charger, page 66, or
 - Remove Jumper Busbars in a 50-80 kVA 3:1 220 VDC UPSs with External Charger, page 67, or
 - Remove Jumper Busbars in 100-120 kVA 220 VDC UPSs with External Charger, page 69.
5. Connect the Signal Cables, page 71.
6. Connect the Parallel Cables in a Parallel System, page 79.
7. Seal the Cable Openings with Fire-proof Putty for IP31 Compliance, page 81.
8. Reinstall the Kick Plates, page 82.

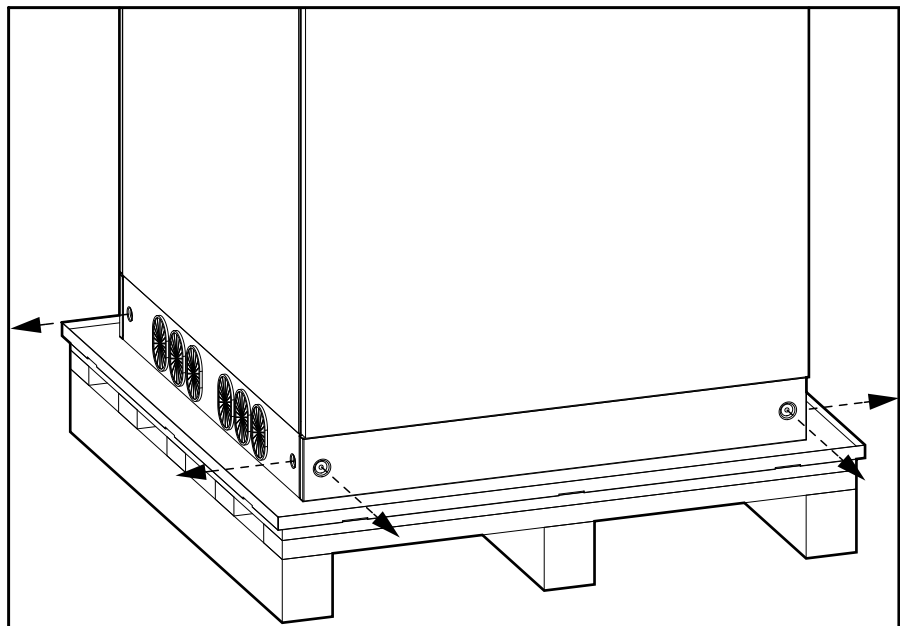
Remove the UPS from the Pallet

1. Move the UPS to the final installation area using a forklift.
2. Remove the fasteners.



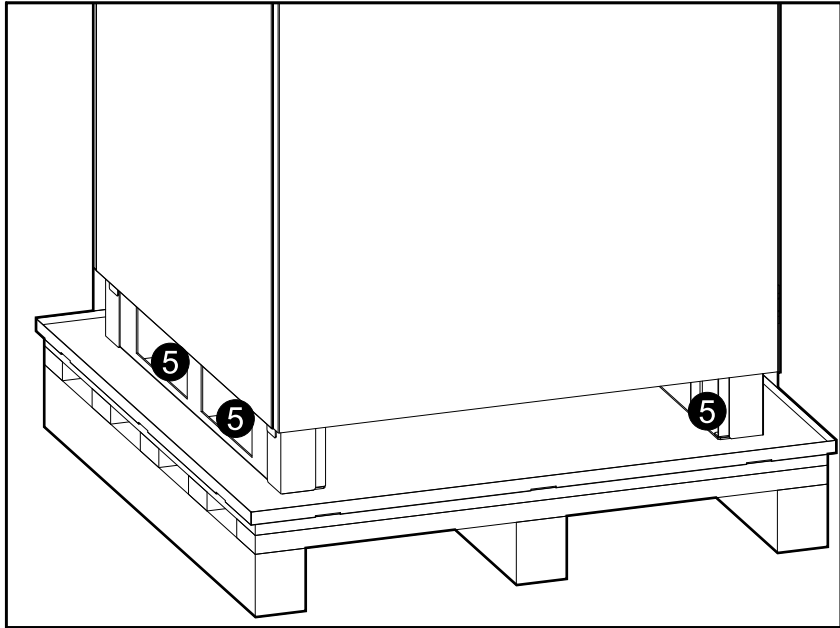
3. Remove the packaging.
4. Remove the kick plates.

NOTE: Save the kick plates.



5. Remove the screws connecting the UPS to the pallet.

NOTE: If the parallel kit has been ordered, the parallel kit will be placed under the UPS on the pallet. Save the parallel kit.

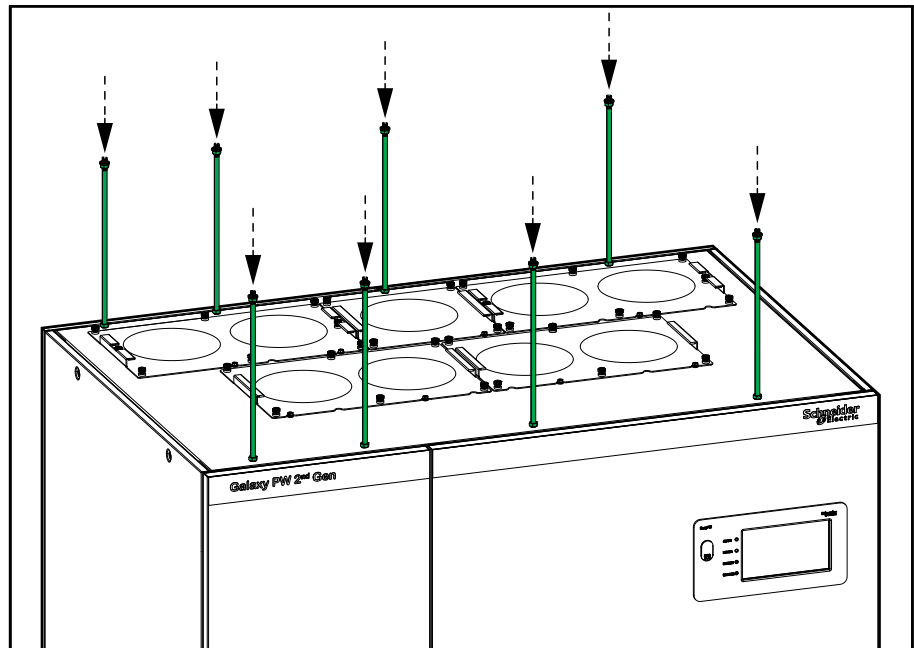


6. Use a forklift to remove the UPS from the pallet and place it in the final installation location.

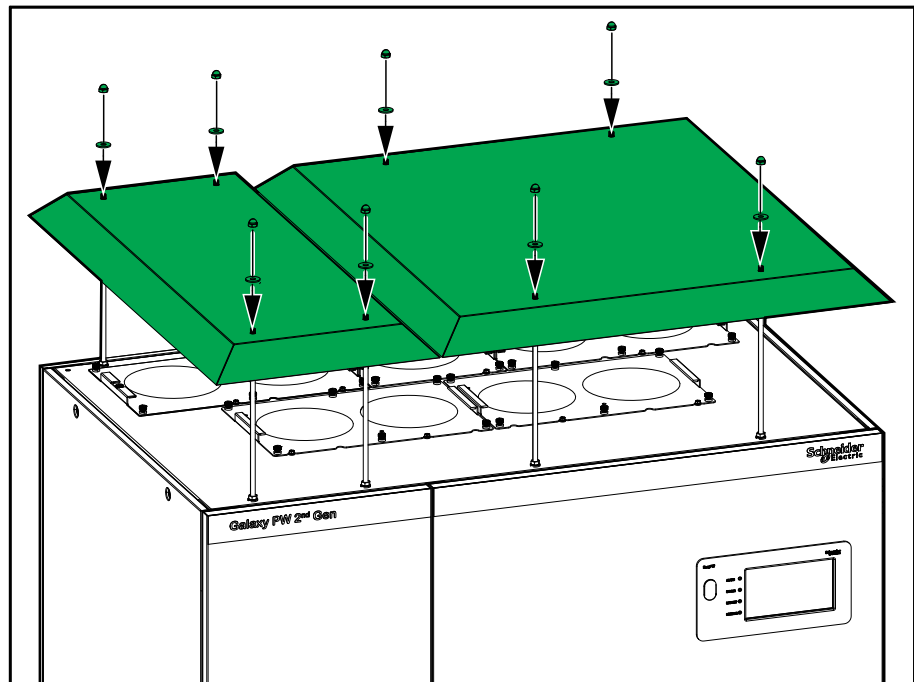
Install the IP31 Kit

The images below show the installation of the IP31 kit on a 50-80 kVA UPS. The procedure is similar for the other UPS models.

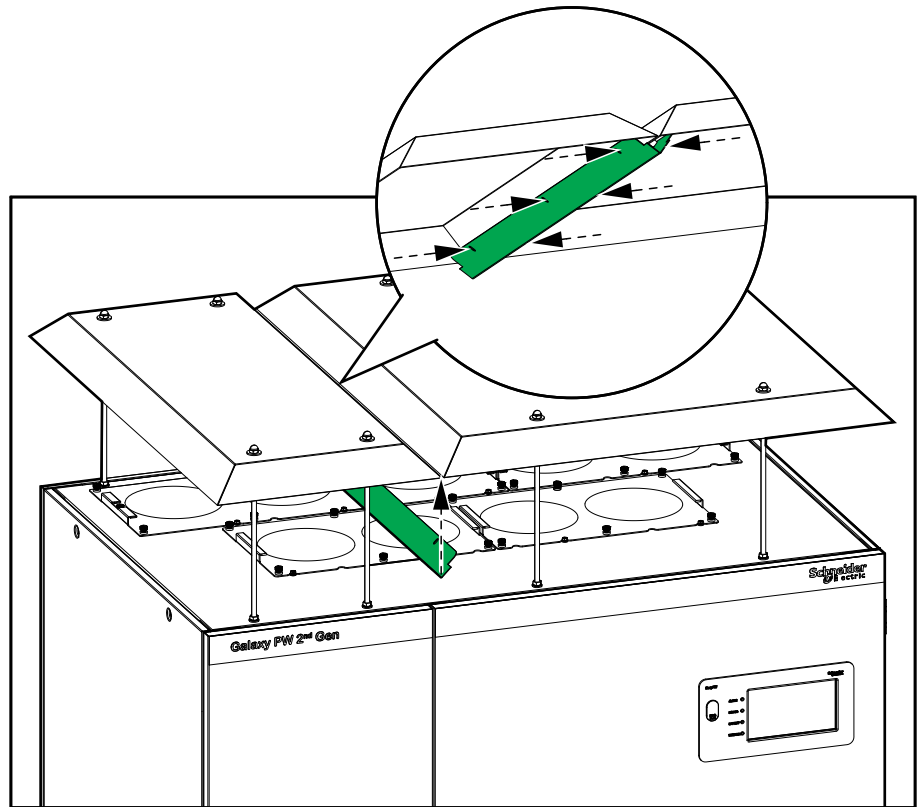
1. Install the provided rods in the top plate of the UPS.



2. Install the top cover(s) and fasten with the provided washers and nuts.



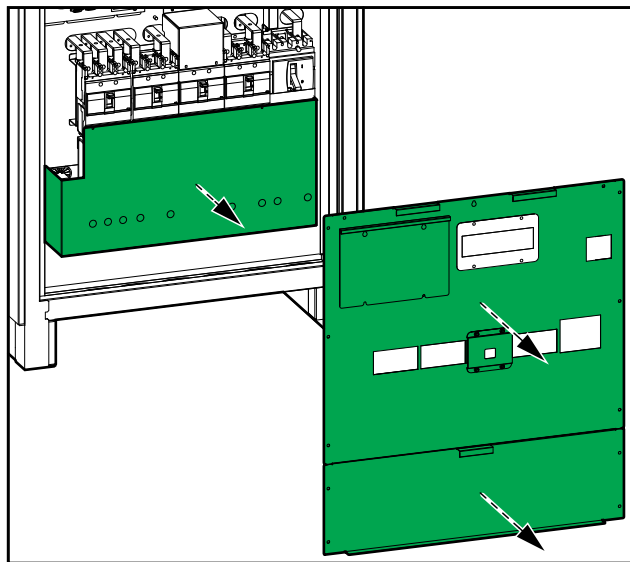
3. Install the gutter between two top covers and fasten with the provided screws.



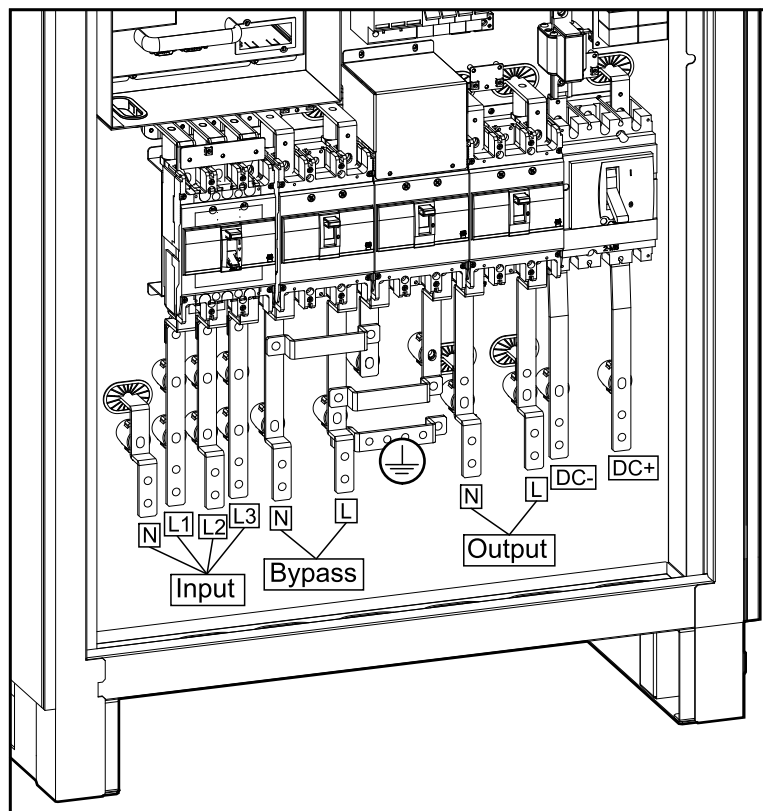
Connect the Power Cables

Connect the Power Cables in a 10-40 kVA 3:1 220 VDC UPS

1. Ensure that all breakers are in the OFF (open) position.
2. Open the front door of the UPS.
3. Remove the indicated covers.

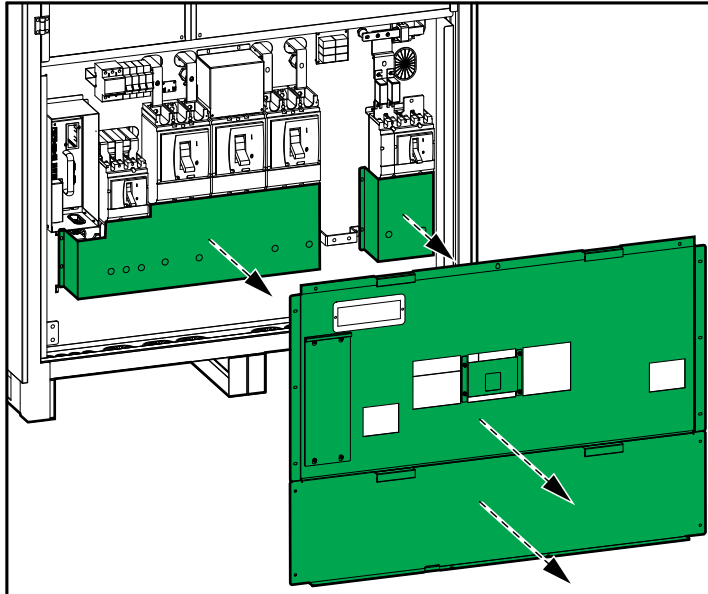


4. Route the power cables through the bottom of the UPS.
5. Connect the PE cable to the PE busbar.
6. Connect the input cables (L1, L2, L3), bypass cables (L, N), output cables (L, N), and DC cables (DC+, DC-).

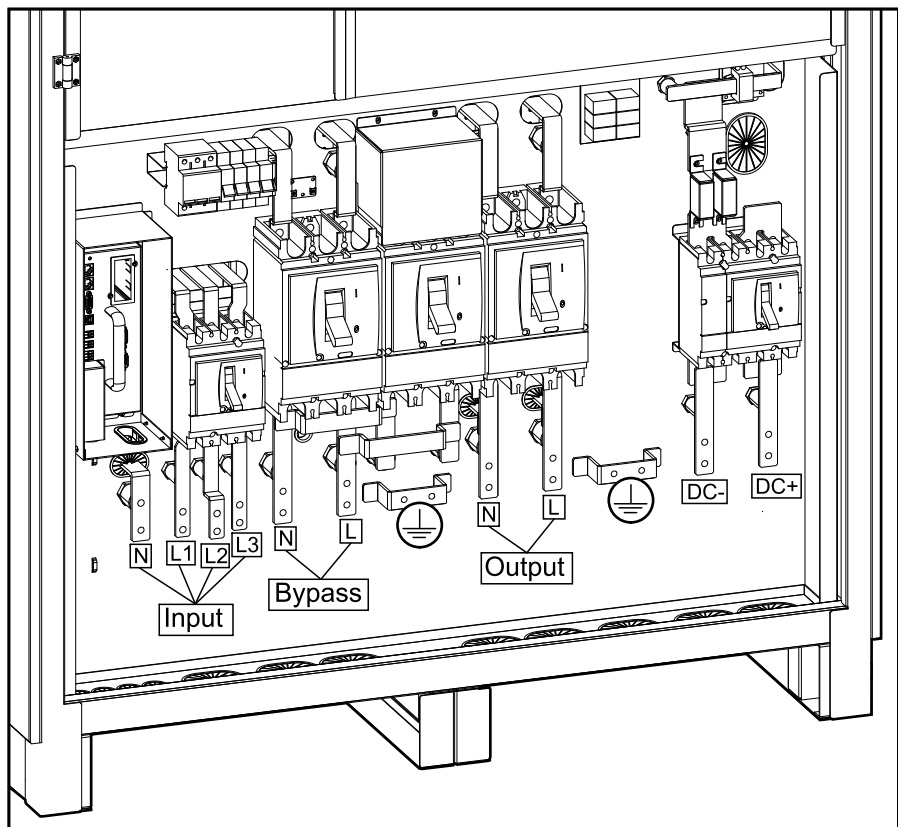


Connect the Power Cables in a 50-80 kVA 3:1 220 VDC UPS

1. Ensure that all breakers are in the OFF (open) position.
2. Open the front door of the UPS.
3. Remove the indicated covers.

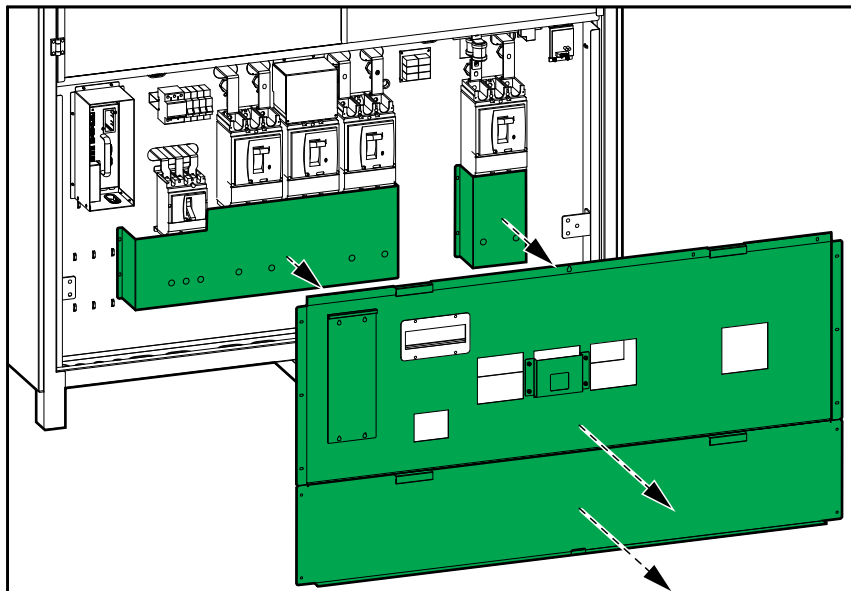


4. Route the power cables through the bottom of the UPS.
5. Connect the PE cable to the PE busbar.
6. Connect the input cables (L1, L2, L3), bypass cables (L, N), output cables (L, N), and DC cables (DC+, DC-).

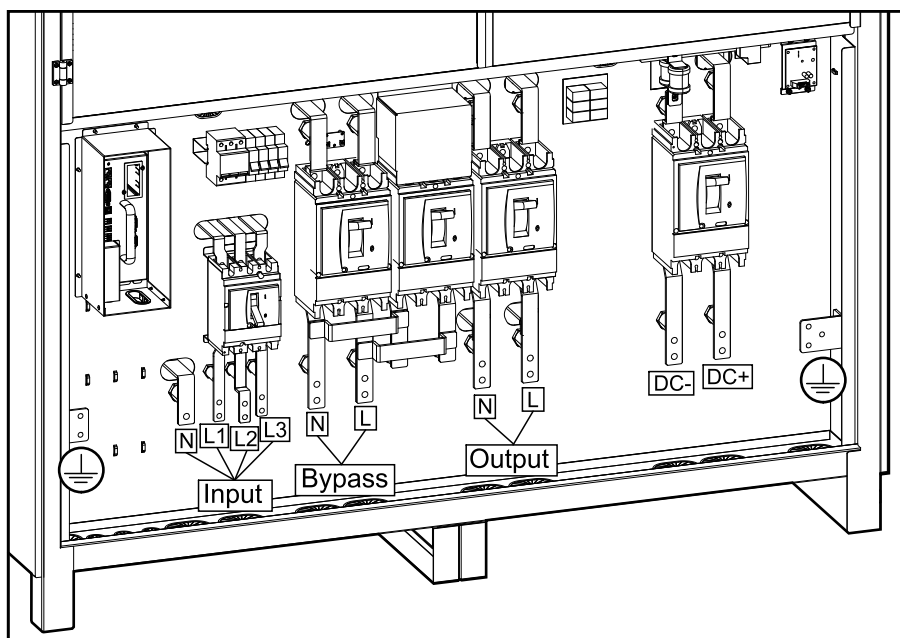


Connect the Power Cables in a 100-120 kVA 3:1 220 VDC UPS

1. Ensure that all breakers are in the OFF (open) position.
2. Open the front door of the UPS.
3. Remove the indicated covers.



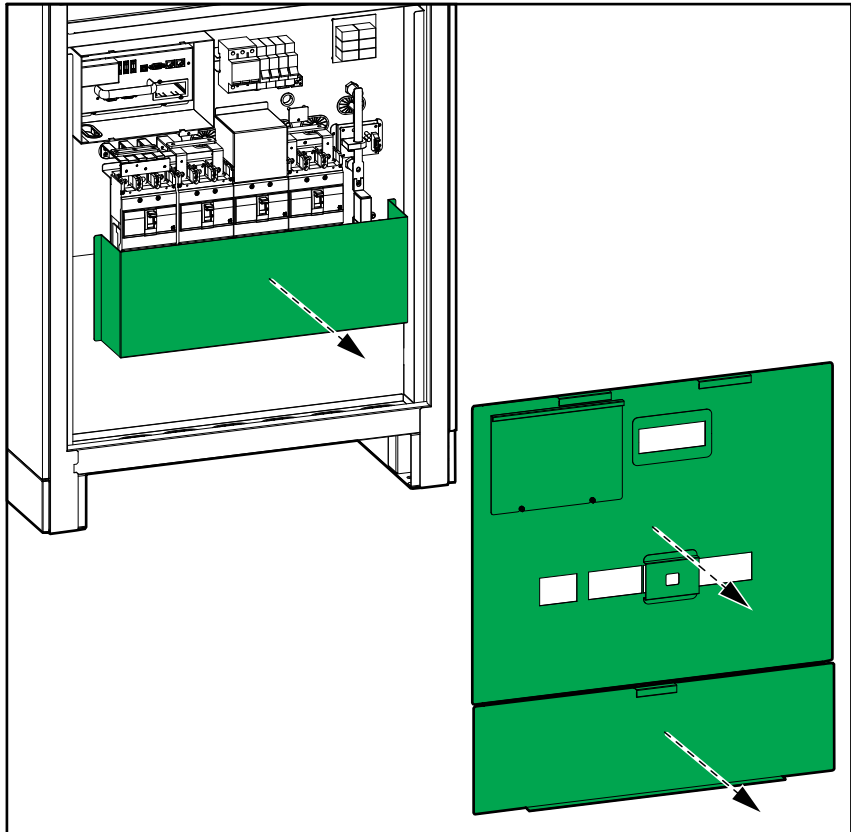
4. Route the power cables through the bottom of the UPS.
5. Connect the PE cable to the PE busbar.
6. Connect the input cables (L1, L2, L3), bypass cables (L, N), output cables (L, N), and DC cables (DC+, DC-).



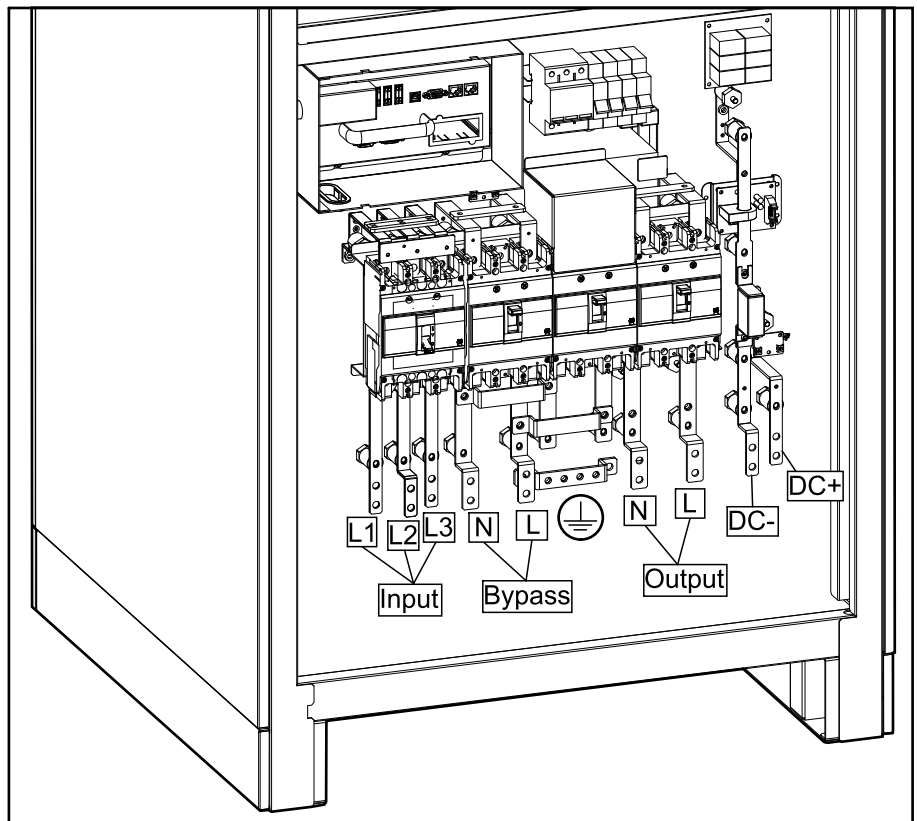
Connect the Power Cables in a 10-40 kVA 3:1 384 VDC UPS

1. Ensure that all breakers are in the OFF (open) position.

2. Open the front door of the UPS.
3. Remove the indicated covers.

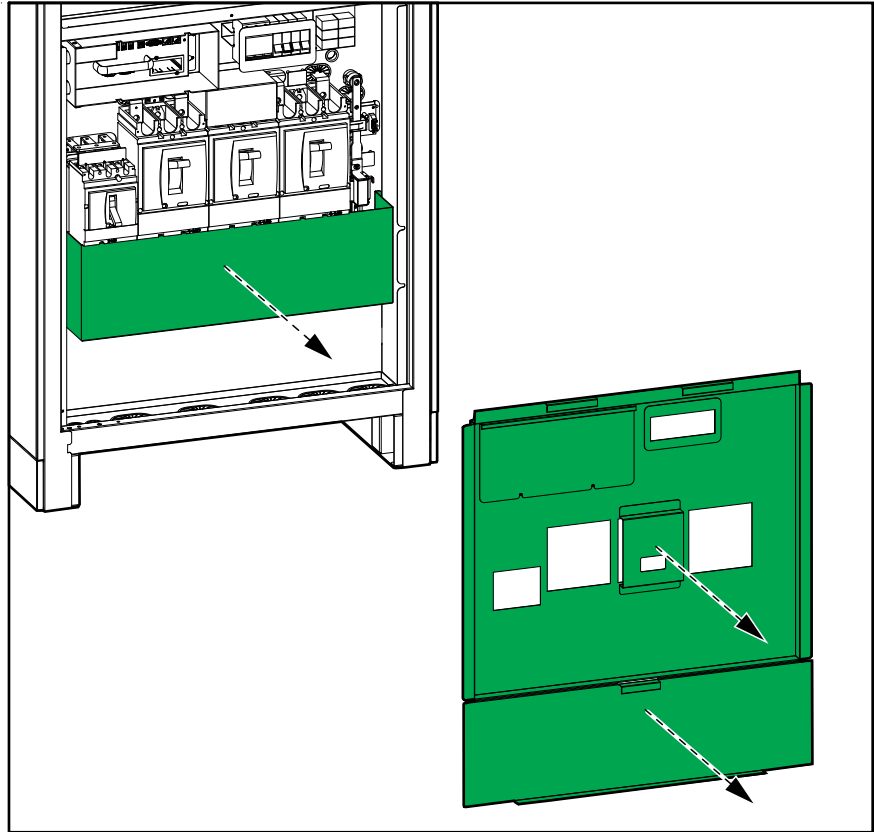


4. Route the power cables through the bottom of the UPS.
5. Connect the PE cable to the PE busbar.
6. Connect the input cables (L1, L2, L3), bypass cables (L, N), output cables (L, N), and DC cables (DC+, DC-).



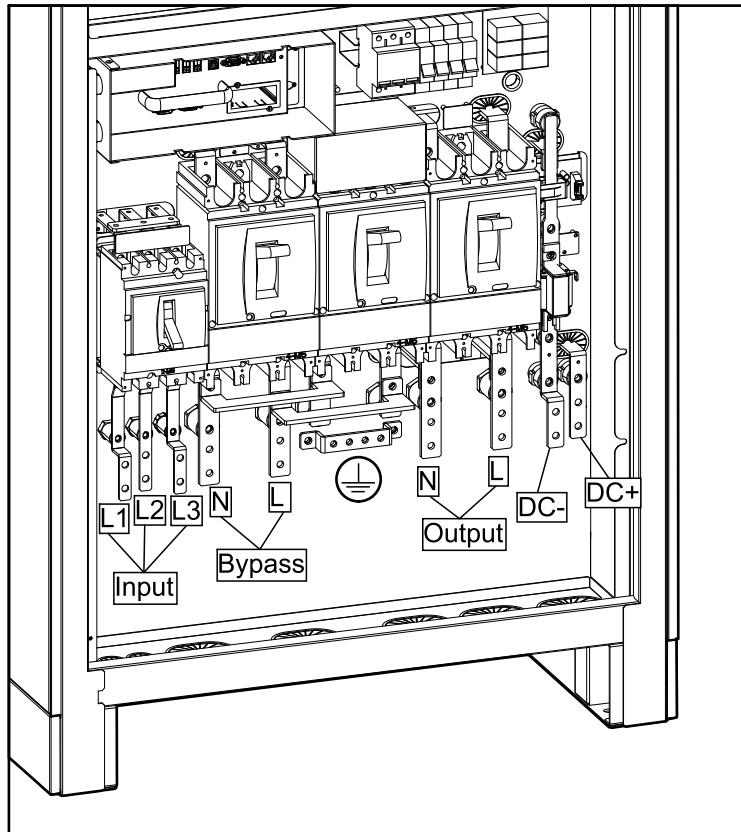
Connect the Power Cables in a 60-80 kVA 3:1 384 VDC UPS

1. Ensure that all breakers are in the OFF (open) position.
2. Open the front door of the UPS.
3. Remove the indicated covers.



4. Route the power cables through the bottom of the UPS.
5. Connect the PE cable to the PE busbar.

6. Connect the input cables (L1, L2, L3), bypass cables (L, N), output cables (L, N), and DC cables (DC+, DC-).



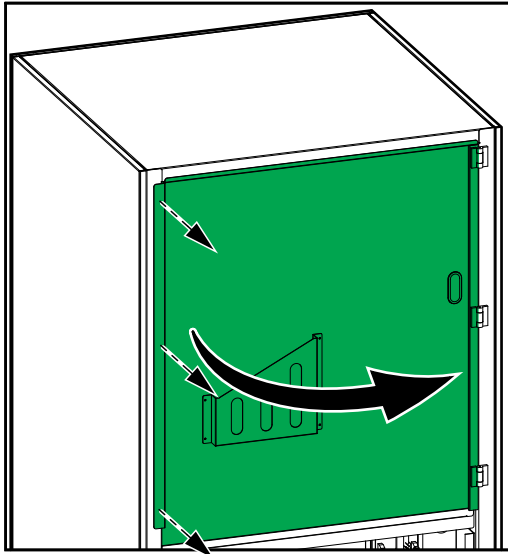
Remove Jumper Busbars in 3:1 220 VDC UPSs with External Charger

NOTE: This procedure is only applicable for 3:1 220 VDC UPSs.

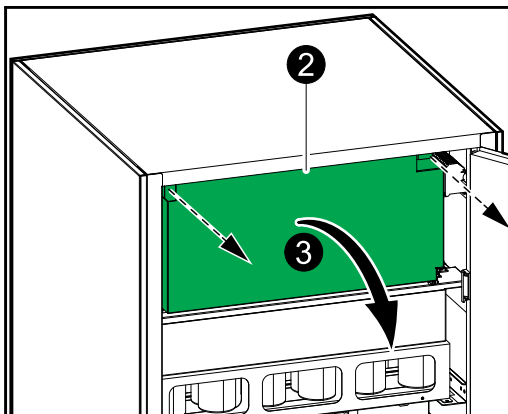
Remove Jumper Busbars in 10-40 kVA 3:1 220 VDC UPSs with External Charger

NOTE: This procedure is only applicable to 10-40 kVA 3:1 220 VDC UPSs with an external charger.

1. Loosen the screws and open the door in the top of the UPS.

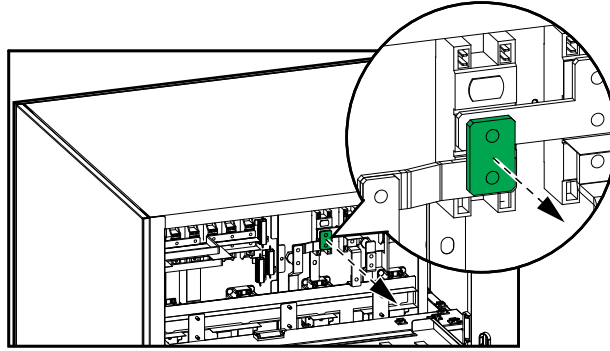


2. Disconnect the signal cable from the control board.



3. Loosen the two screws and flip down the control board panel.

4. Remove the indicated jumper busbar and refasten the screws (torque to 5 Nm).

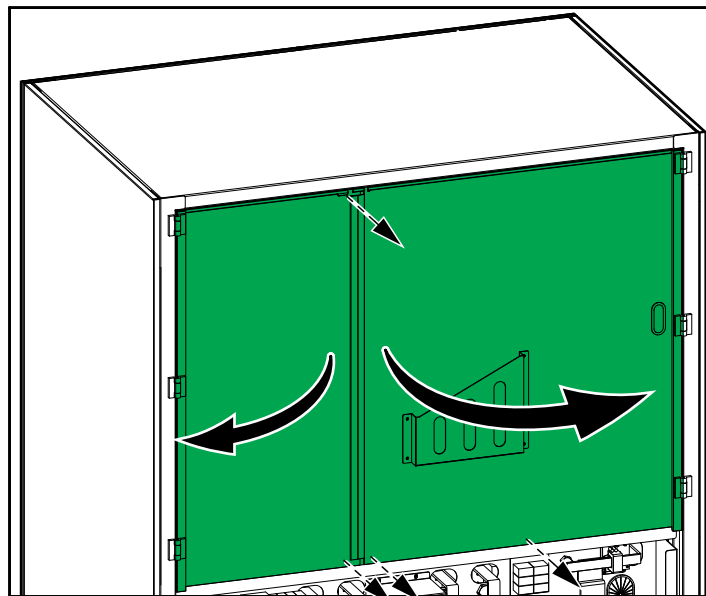


5. Flip the control board panel back to original position and reconnect the signal cable.
6. Close the door and fasten the screws.

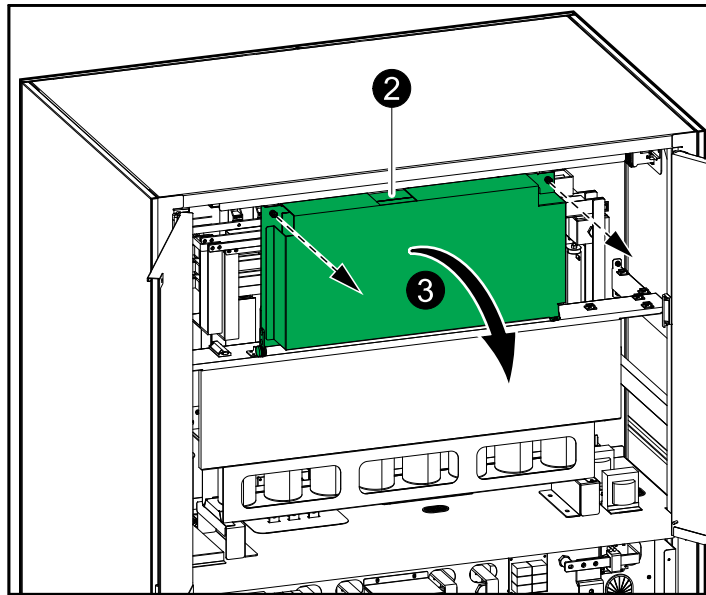
Remove Jumper Busbars in a 50-80 kVA 3:1 220 VDC UPSs with External Charger

NOTE: This procedure is only applicable to 50-80 kVA 3:1 220 VDC UPSs with an external charger.

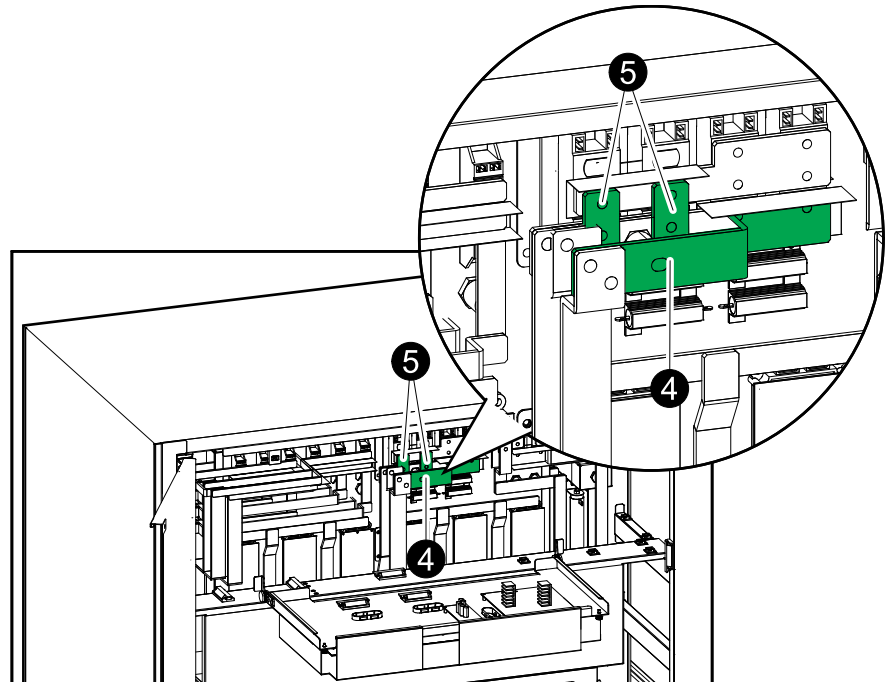
1. Loosen the screws and open the two doors in the top of the UPS.



2. Disconnect the signal cable from the control board.



3. Loosen the two screws and flip down the control board panel.
4. Remove the indicated busbar.

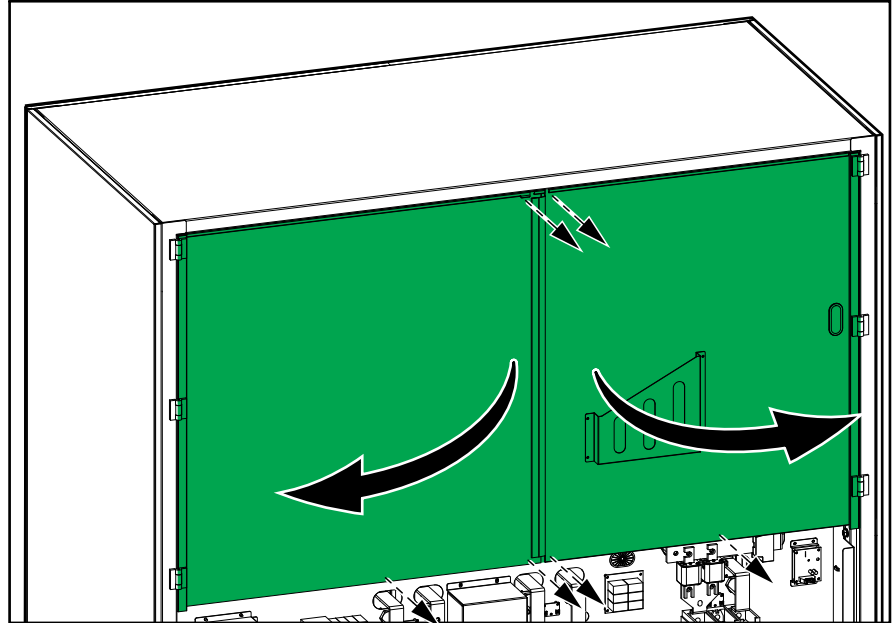


5. Remove the two indicated jumper busbars and refasten the screws (torque to 5 Nm).
6. Reinstall the busbar removed in step 4.
7. Flip the control board panel back to original position and reconnect the signal cable.
8. Close the two doors and fasten the screws.

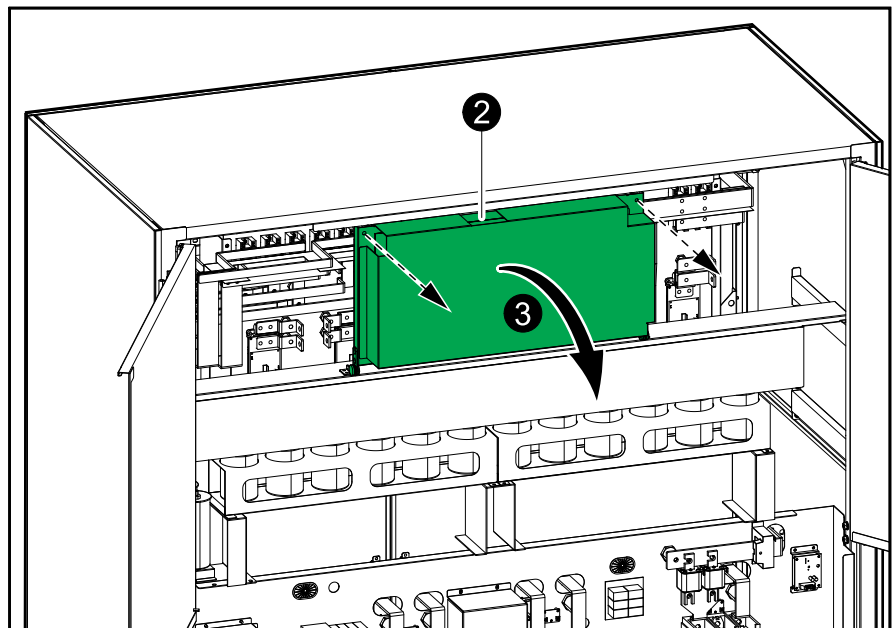
Remove Jumper Busbars in 100-120 kVA 220 VDC UPSs with External Charger

NOTE: This procedure is only applicable to 100-120 kVA 3:1 220 VDC UPSs with an external charger.

1. Loosen the screws and open the two doors in the top of the UPS.

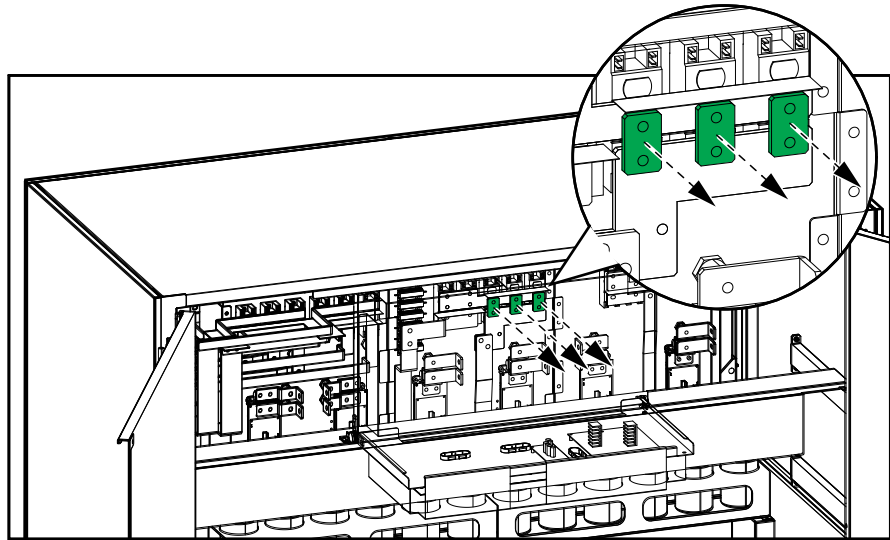


2. Disconnect the signal cable from the control board.



3. Loosen the two screws and flip down the control board panel.

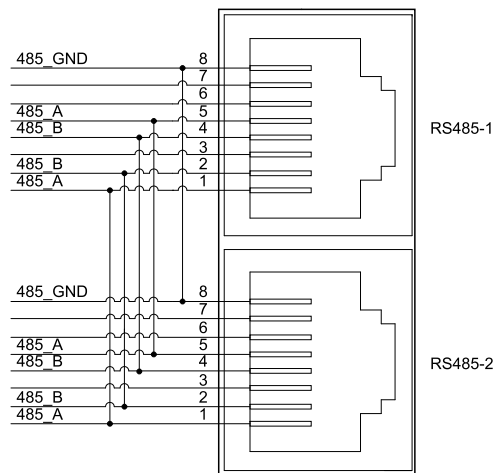
4. Remove the indicated jumper busbars and refasten the screws (torque to 5 Nm).



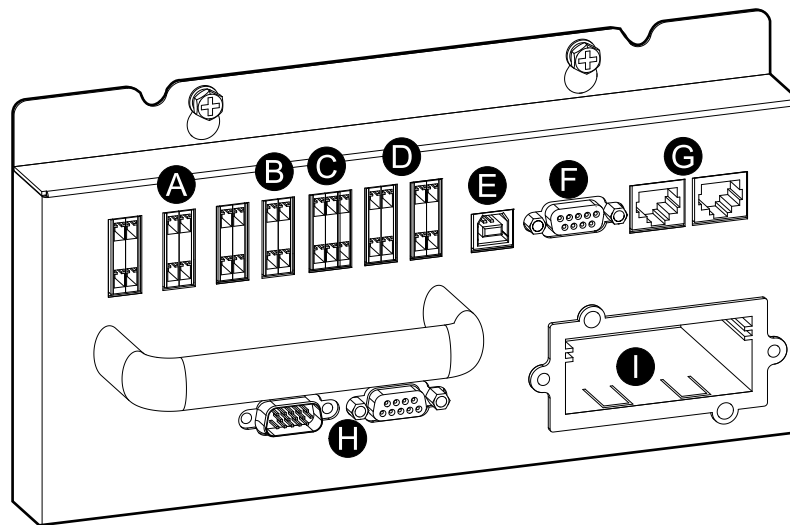
5. Flip the control board panel back to original position and reconnect the signal cable.
6. Close the two doors and fasten the screws.

Connect the Signal Cables

- A. Output dry contacts (230 VAC)
- B. External battery temperature input contact (Non-SELV)
- C. BB trip output contact (SELV)
- D. Input dry contacts (SELV)
- E. USB port (SELV)
- F. RS232 port (SELV)
- G. RS485 ports (SELV)



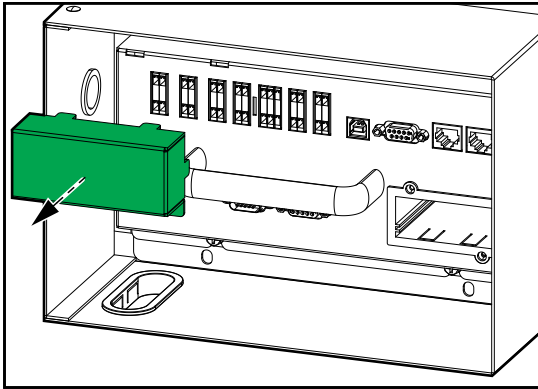
- H. Parallel ports (SELV)
- I. Intelligent slot for SNMP card (SELV)



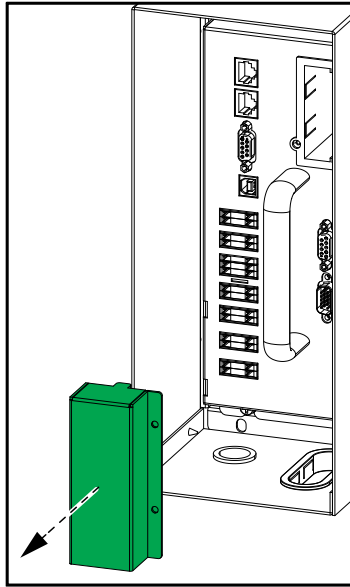
1. Ensure that all breakers are in the OFF (open) position.

2. Remove the indicated cover.

10-40 kVA 3:1 220 VDC UPS
10-80 kVA 3:1 384 VDC UPS

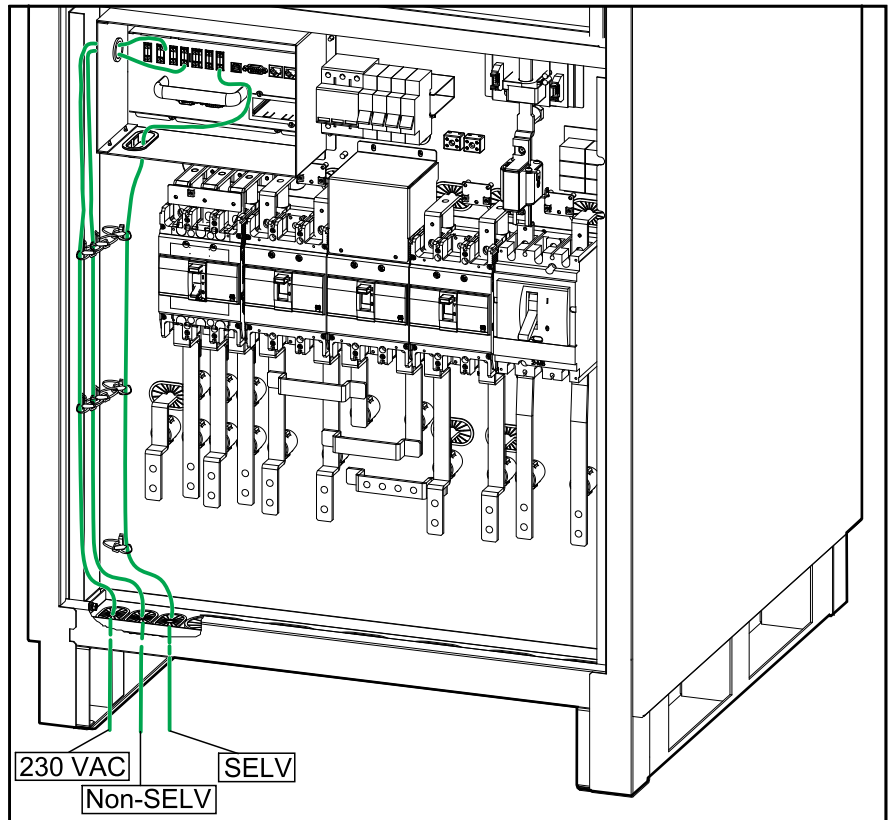


50-120 kVA 3:1 220 VDC UPS

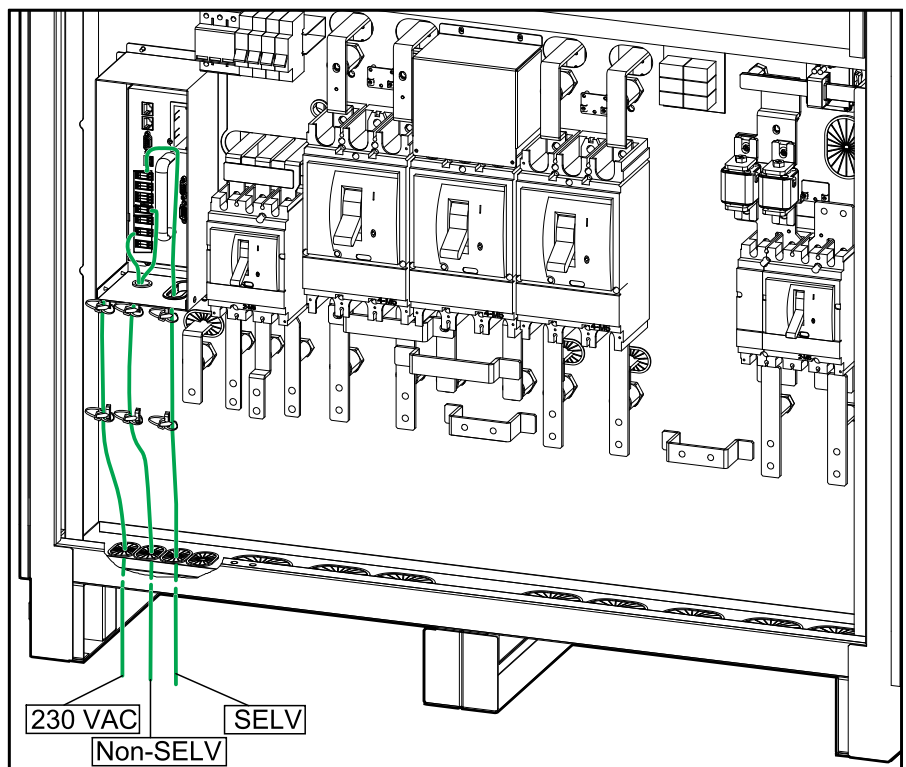


3. Route the signal cables through the bottom of the UPS as shown below and fasten the signal cables with cables ties.

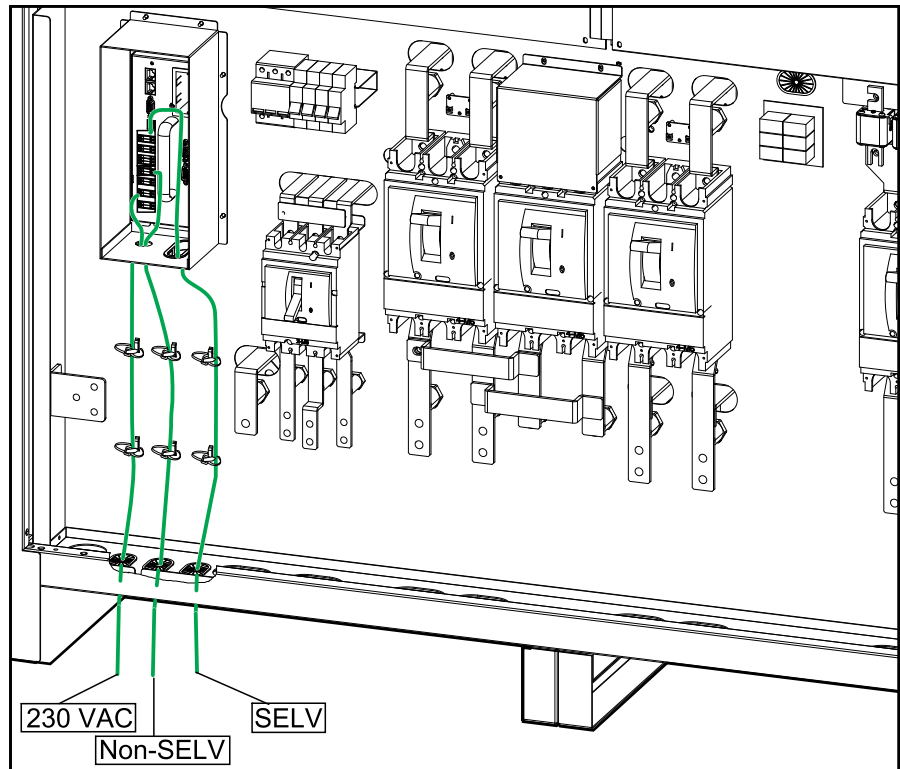
10-40 kVA 3:1 220 VDC UPS



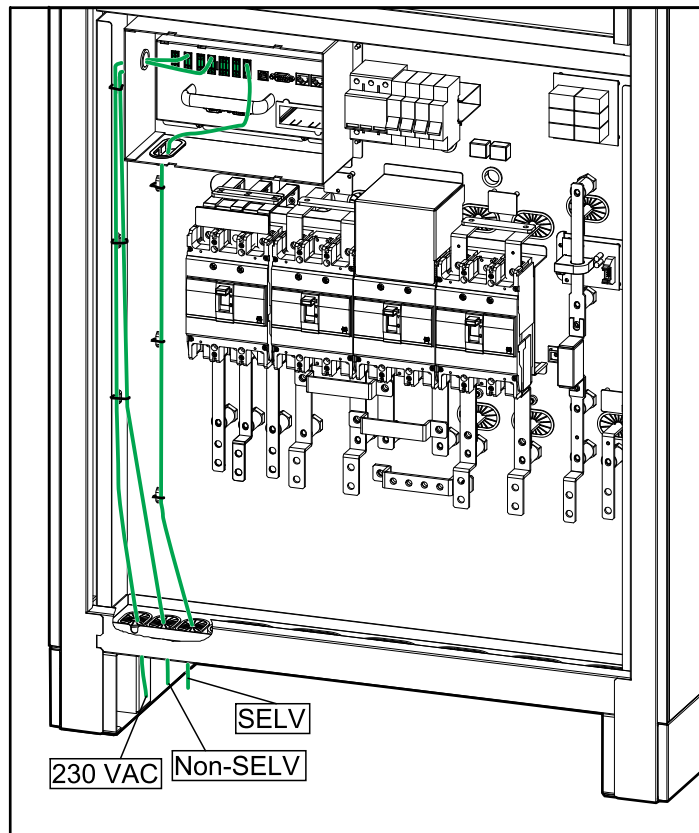
50-80 kVA 3:1 220 VDC UPS



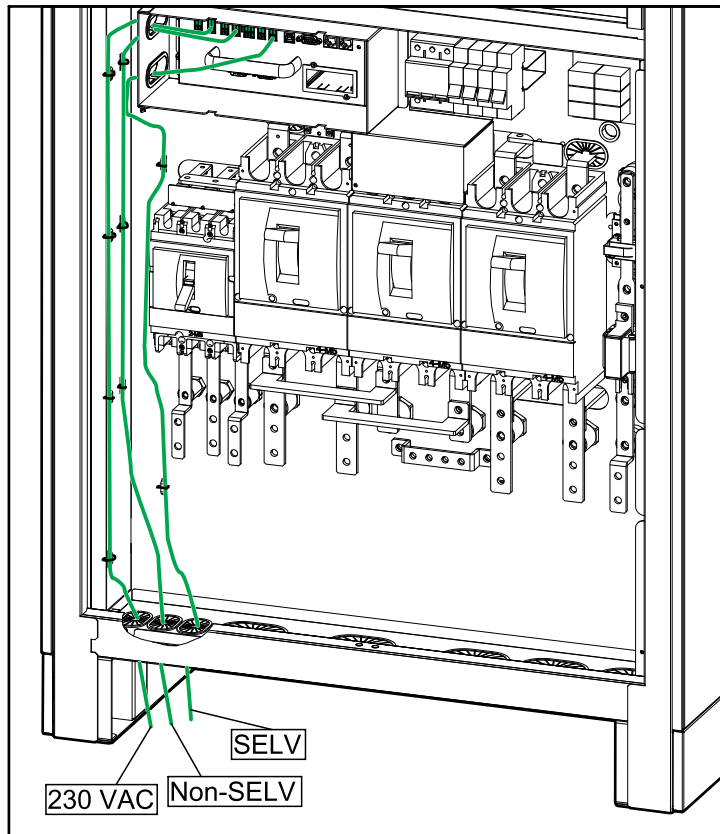
100-120 kVA 3:1 220 VDC UPS



10-40 kVA 3:1 384 VDC UPS



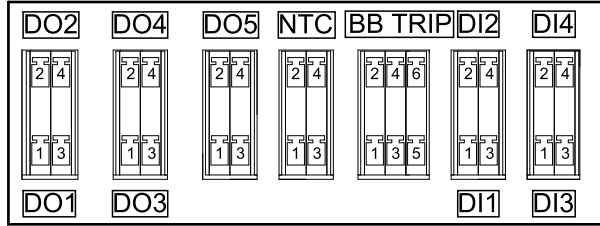
60-80 kVA 3:1 384 VDC UPS



Overview of Input Contacts and Output Relays

Specifications

	Parameter	Typical	Maximum
Input	Voltage (V)	NA	5
	Current (mA)	NA	15
Output	Voltage	24 VDC	230 VAC
	Current (A)	NA	3



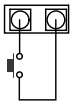
- Input dry contacts:
 - DI2: Normally Closed (NC) input dry contact for the battery breaker on the battery cabinet.
 - DI3: Normally Closed (NC) emergency power off input dry contact. When activated (opened), the UPS shuts down immediately.
 - NTC: Input dry contact for external battery temperature sensor.
 - DI1 and DI4: Configurable input dry contacts.
- Output dry contacts:
 - BB Trip: The output dry contact provides 24 V supply to the auxiliary switch of the battery breaker for trip protection.
 - DO1 to DO5: Configurable output dry contacts.

Fixed Input Dry Contacts

Terminals	Function	Default	Application
DI2	Ext BB contact signal	Fixed	
DI3	Emergency power off (EPO)	Fixed	
NTC	External battery temperature	Fixed	

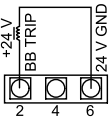
Configurable Input Dry Contacts

The input dry contacts provide active signals and it is not necessary to connect an external power supply to trigger the function.

Terminals	Function	Default	Application
DI1	0: OFF 1: UPS ON 2: UPS OFF 3: Battery fault 4: Genset enable 5: Custom alarm 1 6: Custom alarm 2 7: Disable ECO 8: Force inverter off	0	
DI4		0	

Fixed Output Dry contacts

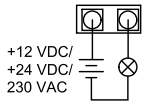
NOTICE
RISK OF EQUIPMENT DAMAGE
The battery breaker contact drive can provide a maximum of +24 VDC 250 mA to the shunt trip release coil. If the value is exceeded, it can damage the UPS.
Failure to follow these instructions can result in equipment damage.

Terminals	Function	Default	Application
BB TRIP	Battery breaker trip	Fixed	

Configurable Output Dry Contacts

NOTE: Maximum 5 A/250 VAC, 3 A/30 VDC must be connected to the output contacts. The recommended cable size is 0.5-1 mm².

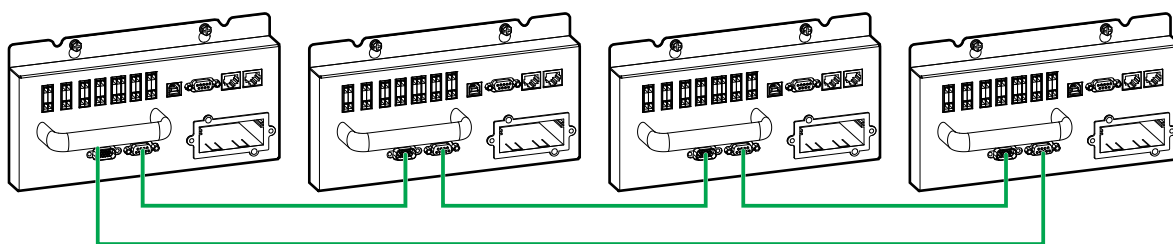
The output dry contacts provide two passive statuses: Short and open. The output contacts must be connected to an external power supply to trigger the function.

Terminals	Function	Default	Application
DO1	0: OFF 1: Common alarm 2: Normal operation 3: Battery operation 4: Static bypass 5: Output overload 6: Fan inoperable 7: Battery fault 8: Battery disconnected 9: Batter voltage low 10: Input out of tolerance 11: Bypass out of tolerance 12: EPO activated 13: Maintenance mode 14: Backfeed on input 15: Backfeed on bypass	0	
DO2		0	
DO3		0	
DO4		0	
DO5		0	

NOTE: For single mains system: Configure one of the output dry contacts for backfeed on input.
For dual mains system: Configure two of the output dry contacts for backfeed on bypass and backfeed on input.

Connect the Parallel Cables in a Parallel System

1. Connect the parallel cables between all UPSs in the parallel system.

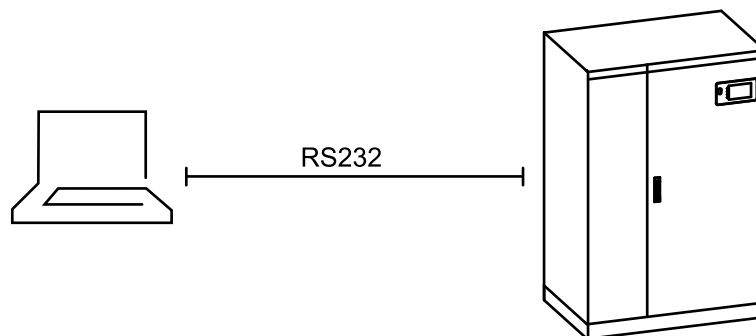


Connections for Remote Monitoring

RS232 Connection

The PC is connected directly to the UPS with a RS232 cable. This is a one to one connection between the UPS and the PC. Monitoring software (provided) must also be installed.

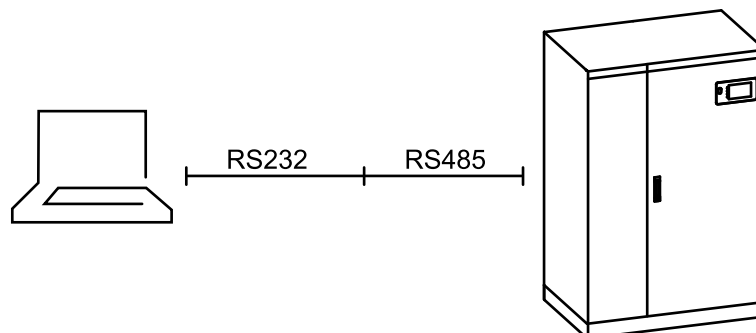
NOTE: The maximum distance between the UPS and the PC is 10-30 meter.



RS485 Connection

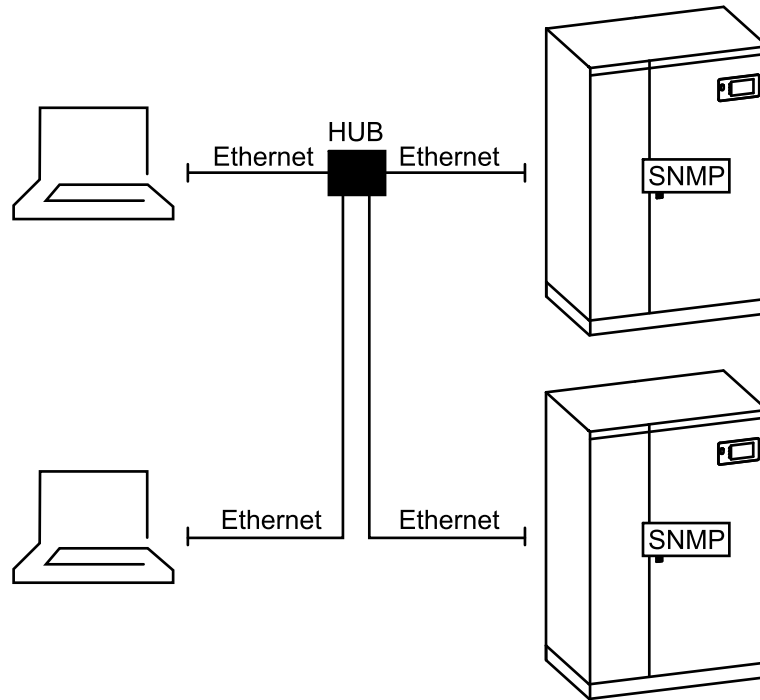
The PC is connected to the UPS through a RS232 cable + RS232 to RS485 adaptor + RS485 cable. This is a one to one connection between the UPS and the PC. Monitoring software (provided) must also be installed.

NOTE: The maximum distance between the UPS and the PC is 1000 meter.



SNMP Card

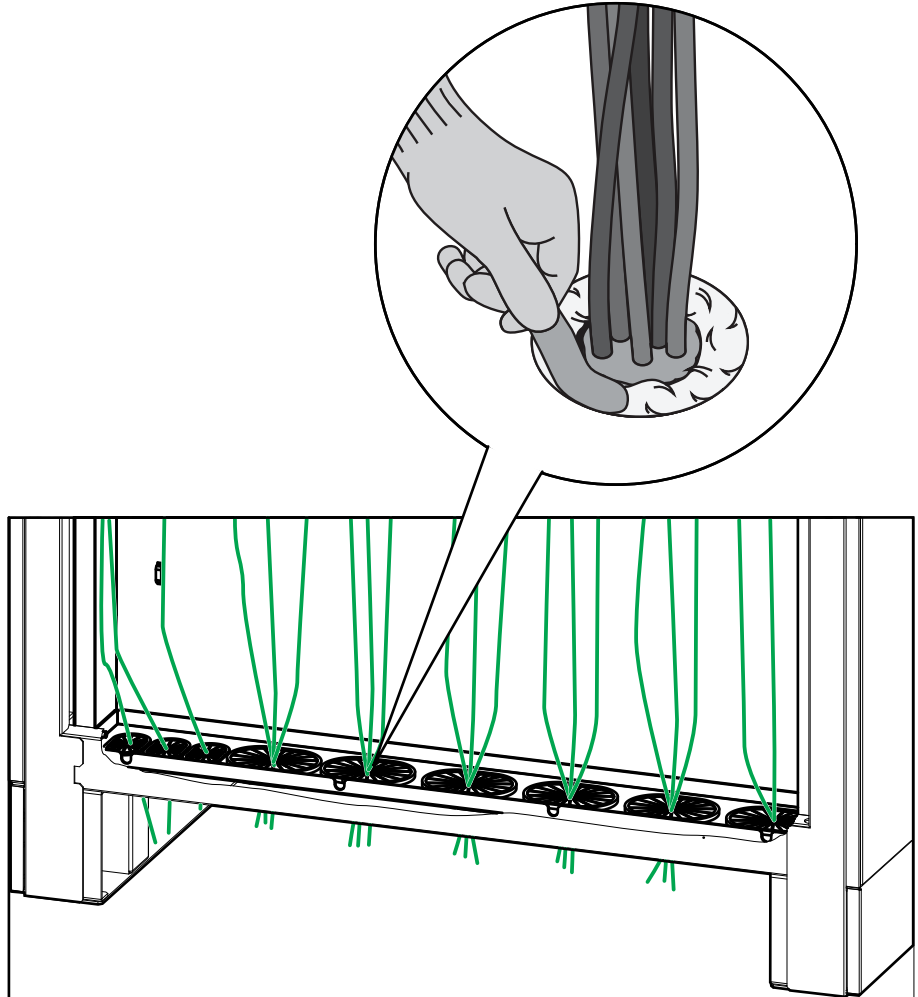
An SNMP card enables remote connection to the UPS. Remote monitoring data can be accessed by one or more PCs.



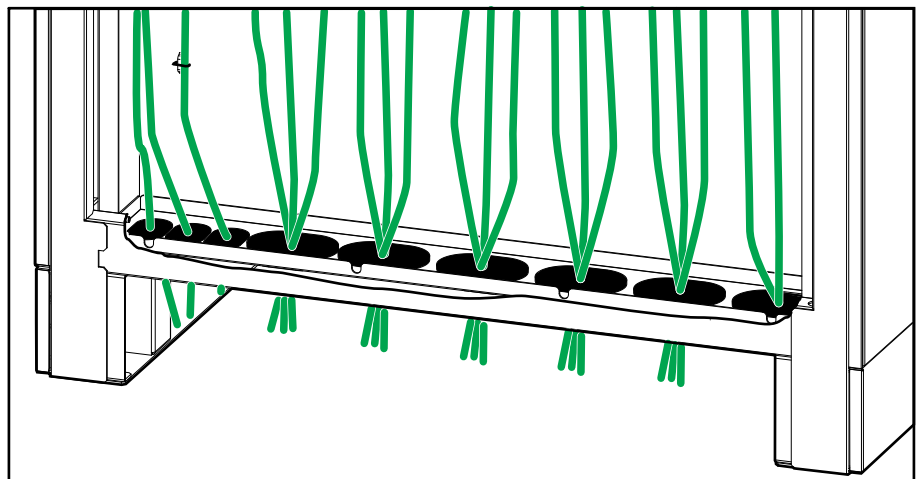
Seal the Cable Openings with Fire-proof Putty for IP31 Compliance

NOTE: After connecting all the cables, it is mandatory to seal all the cable openings with the provided fire-proof putty for IP31 compliance.

1. Follow the manufacturer's instructions to soften the provided fire-proof putty. Apply sufficient putty around all the cable openings in the bottom of the UPS.



2. Make sure that all the gaps around the cables are completely sealed. The finished cable openings should look like this.

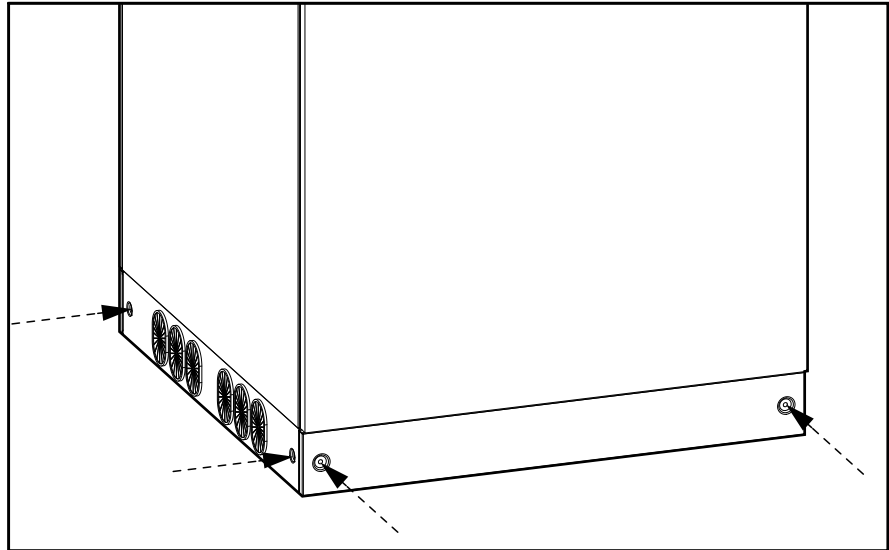


3. Reinstall all the covers.

Reinstall the Kick Plates

1. Reinstall the kick plates.

10-40 kVA UPS



Backfeed Protection

DANGER

HAZARD OF ELECTRIC SHOCK, EXPLOSION, OR ARC FLASH

In systems where backfeed protection is not part of the standard design, an automatic isolation device (backfeed protection option or other device meeting the requirements of IEC/EN 62040–1) must be installed to prevent hazardous voltage or energy at the input terminals of the isolation device. The device must open within 15 seconds after the upstream power supply fails and must be rated according to the specifications.

Failure to follow these instructions will result in death or serious injury.

When the UPS input is connected through external isolators that, when opened, isolate the neutral or when the automatic backfeed isolation is provided external to the equipment or is connected to an IT power distribution system, a label must be fitted at the UPS input terminals, and on all primary power isolators installed remote from the UPS area and on external access points between such isolators and the UPS, by the user, displaying the following text (or equivalent in a language which is acceptable in the country in which the UPS system is installed):

DANGER

HAZARD OF ELECTRIC SHOCK, EXPLOSION, OR ARC FLASH

Risk of Voltage Backfeed. Before working on this circuit: Isolate the UPS and check for hazardous voltage between all terminals including the protective earth.

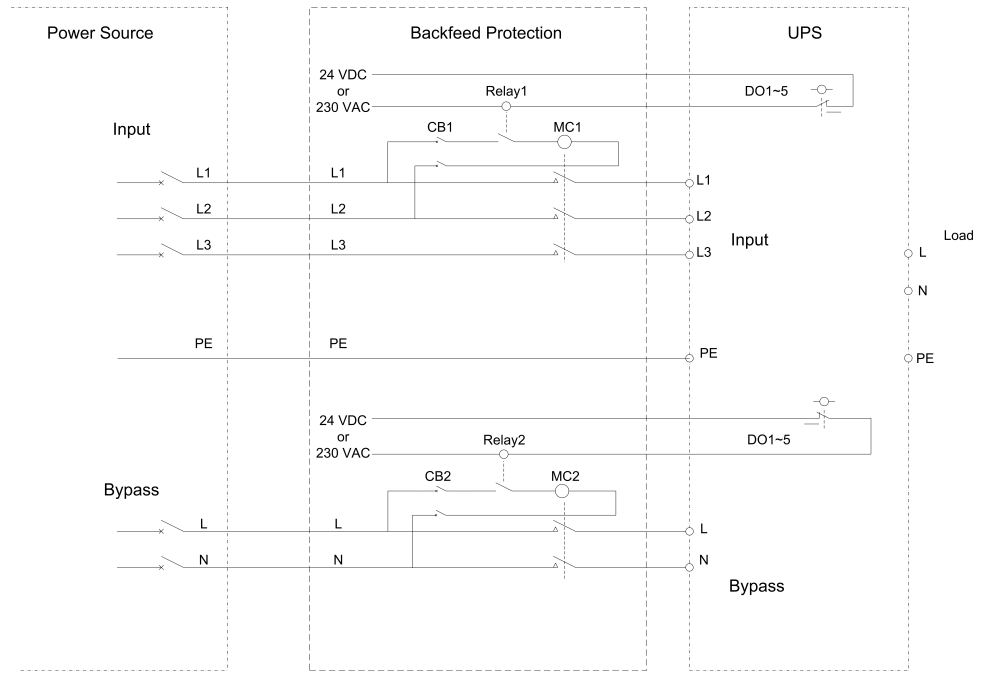
Failure to follow these instructions will result in death or serious injury.

An additional external isolation device must be installed in the UPS system. A contactor can be used for this purpose. In the shown examples, the isolation device is a contactor (marked with a **MC1** for single mains systems and marked with a **MC1** and **MC2** for dual mains systems).

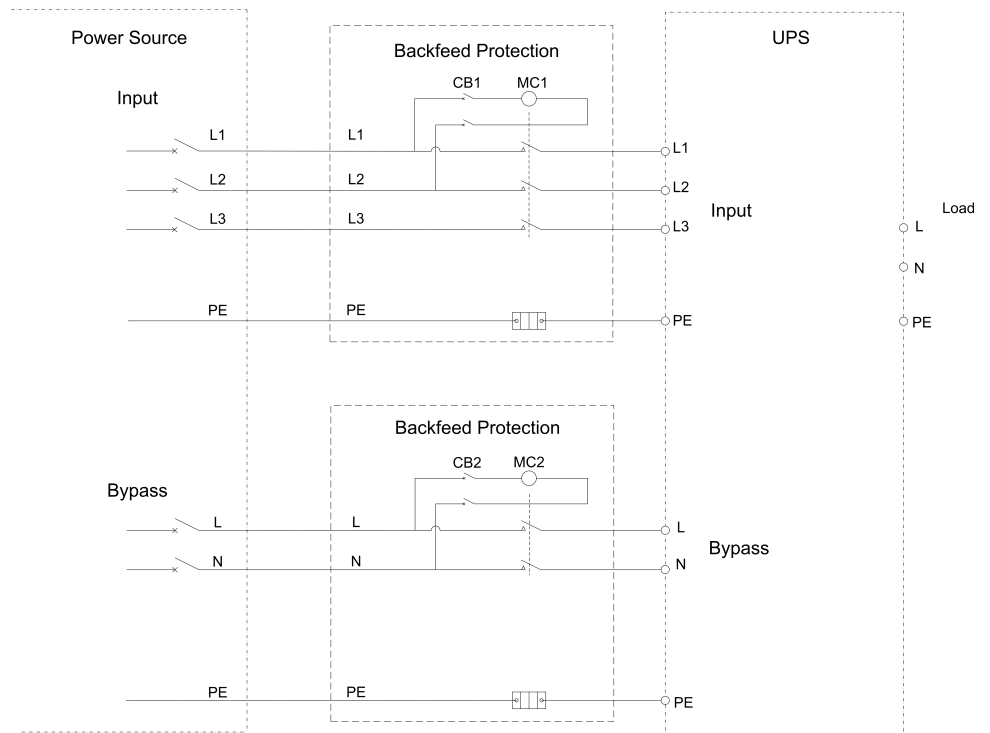
The isolation device must be able to withstand the electrical characteristics as described in Specifications, page 13.

NOTE: The 24 V source should be generated from the switchgear input source in single mains configurations and from both the switchgear input and bypass source in dual mains configurations.

Dual Mains 3:1 UPS and External Isolation Device



Dual Mains 3:1 UPS with Backfeed Box



Schneider Electric
35 rue Joseph Monier
92500 Rueil Malmaison
France

+ 33 (0) 1 41 29 70 00



As standards, specifications, and design change from time to time,
please ask for confirmation of the information given in this publication.

© 2020 – 2022 Schneider Electric. All rights reserved.

990-91406D-001