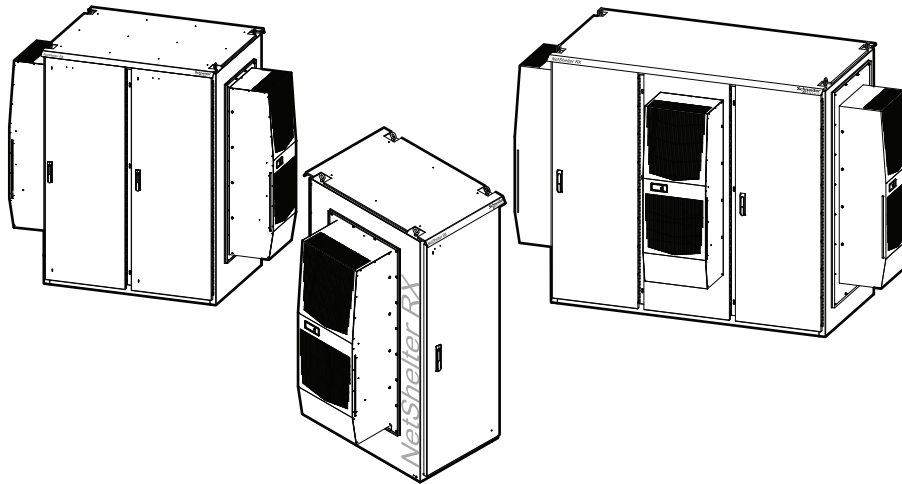


EcoStruxure™ Micro Data Center

R-Series NEMA 4/4X

Installation

Release date: 9/2023



Legal Information

The Schneider Electric brand and any trademarks of Schneider Electric SE and its subsidiaries referred to in this guide are the property of Schneider Electric SE or its subsidiaries. All other brands may be trademarks of their respective owners.

This guide and its content are protected under applicable copyright laws and furnished for informational use only. No part of this guide may be reproduced or transmitted in any form or by any means (electronic, mechanical, photocopying, recording, or otherwise), for any purpose, without the prior written permission of Schneider Electric.

Schneider Electric does not grant any right or license for commercial use of the guide or its content, except for a non-exclusive and personal license to consult it on an "as is" basis. Schneider Electric products and equipment should be installed, operated, serviced, and maintained only by qualified personnel.

As standards, specifications, and designs change from time to time, information contained in this guide may be subject to change without notice.

To the extent permitted by applicable law, no responsibility or liability is assumed by Schneider Electric and its subsidiaries for any errors or omissions in the informational content of this material or consequences arising out of or resulting from the use of the information contained herein.

Contents

- Introduction 1
 - Features 1
- Safety 2
 - Qualified Personnel 2
 - General Safety 3
 - Labels 4
 - Receiving 6
 - Inspect the Equipment 6
 - Moving the Enclosure 6
- Inventory 7
 - Component Identification 7
 - Hardware Bag Contents 8
 - Tools Required (not provided) 8
- Installation 9
 - Location 9
 - Mounting Pad 9
 - Electrical 9
 - Working Area 9
 - Ground the Enclosure 10
 - Door Limiter Operation 11
 - Power Access 12
 - Bring Mains Power Into The Enclosure 12
 - Bring Power to the Outlet Box 15
 - Cooling Unit 16
 - Cooling Setpoint 16
 - Inlet Air Filter Maintenance 16
 - Vertical 0U Accessory Panels 17
 - Vertical Mounting Flanges 18
- Security 19
 - Sensors 19
 - Temperature and Humidity Sensors 19
 - Door Sensors (optional accessory) 19
 - Camera (optional accessory) 19
 - Lighting 20
- Equipment Installation 21
 - Cage Nuts 21

Loading Equipment Into the Enclosure	23
Miscellaneous Maintenance	24
Plinth	24
Connection to the Enclosure	24
Plinth Access Cover Plate	25
Specifications	26
Enclosures (without Plinth)	26
Riser Base (Plinth)	26
Cooling Units	26
Warranty - Enclosure Only	27
Five Year Parts Only Factory Warranty	27
Terms of warranty	27
Non-transferable warranty	27
Exclusions	27
Warranty claims	28

Introduction

The EcoStruxure Micro Data Center is a NEMA 4/4X enclosure designed to protect and secure industry-standard (EIA/ECA-310), 19 in (483 mm) rack mount hardware, including servers and voice, data, networking, internetworking, and power protection equipment in any environment. The enclosure is rated to provide protection in both outdoor and indoor applications.

Models range from one, two, or three bays each, with a load rating of 2000 lb (907 kg) per bay. Models may include one to three air conditioning units that also include a choice of cooling capacities depending upon requirements.

Features

- Manufactured to NEMA 4/4X specifications, UL Certificate
- Full length, heavy duty door hinges
- Closed cell Neoprene gasket on doors
- LED Interior lights, manual on/off
- Sunshield
- Low E insulation (R5, 1/4 inch thick) on all interior surfaces
- Four (4) stainless steel lifting eyes (each lifting eye rated for 2400 lb vertical lift weight)
- Removable gland plate on floor of each bay of the enclosure. Can be altered to accommodate electrical power cables.
- Air management baffles, air supply, or return plenums for all AC units installed (depending upon AC location, side or door).
- Accessory brackets to accommodate Rack PDUs or cable managers installed in the rear of the enclosure on either side of the back door.
- Locking door handles
- One (1) power outlet box (containing four outlets) per bay to provide power for service or other needs.

Safety

Read these instructions carefully and look at the equipment to become familiar with it before trying to install, operate, service or maintain it. The following safety messages may appear throughout this manual or on the equipment to warn of potential hazards or to call attention to information that clarifies or simplifies a procedure.



The addition of this symbol to a Danger or Warning safety label indicates that an electrical hazard exists which will result in personal injury if the instructions are not followed.



This is the safety alert symbol. It is used to alert you to potential personal injury hazards. Obey all safety messages that follow this symbol to avoid possible injury or death.

DANGER

DANGER indicates a hazardous situation which, if not avoided, **will result in** death or serious injury.

Failure to follow these instructions will result in death or serious injury.

WARNING

WARNING indicates a hazardous situation which, if not avoided, **could result in** death or serious injury.

Failure to follow these instructions can result in death, serious injury or equipment damage.

CAUTION

CAUTION indicates a hazardous situation which, if not avoided, **could result in** minor or moderate injury.

Failure to follow these instructions can result in injury or equipment damage.

NOTICE

NOTICE is used to address practices not related to physical injury. The safety alert symbol is not used with this type of safety message.

Failure to follow these instructions can result in equipment damage.

Qualified Personnel

Electrical equipment should only be installed, operated, serviced and maintained by qualified personnel. A qualified person is one who has skills and knowledge related to the construction, installation, and operation of electrical equipment and has received safety training to recognize and avoid the hazards involved.

General Safety

DANGER

HAZARD OF ELECTRIC SHOCK, EXPLOSION, OR ARC FLASH

- Follow all local and national codes when installing the enclosure.
- Electrical connections and equipment must be installed, operated, serviced, and maintained only by qualified personnel.
- The enclosure is intended to be installed and operated by qualified personnel in a controlled location with restricted access.
- The enclosure must be installed in accordance with the National Electrical Code and all applicable local codes.
- Perform appropriate Lock Out/Tag Out procedures during equipment installation and maintenance.
- Remove incoming power before performing any work. Always use a properly rated voltage sensing device to confirm there is no voltage in the system.
- Wear appropriate personal protective equipment (PPE) and follow safe electrical work practices. See NFPA 70E and follow all local codes and regulations.

Failure to follow these instructions will result in death or serious injury.

WARNING

HEAVY EQUIPMENT/TIPPING HAZARD

- The enclosure is heavy. Use caution when lifting. Professional riggers are recommended for unloading and moving to the installation location.
- Wear appropriate personal protective equipment (PPE) and follow safe work practices.
- Unsecured, empty enclosures are a tipping risk, especially if doors are opened.
- To minimize the possibility of a tipping event, maintain the lifting equipment's physical connection, with tension, to the enclosure until the enclosure is secured to the mounting pad.

Failure to follow these instructions can result in death, serious injury or equipment damage.

NOTICE

EQUIPMENT DAMAGE HAZARD

- Improper airflow can damage installed components. Verify that adequate airflow is provided.
- Do not obstruct airflow by blocking the ventilation grilles.

Failure to follow these instructions can result in equipment damage.


NOTICE

- The enclosure is intended for installation outdoors. A previously prepared surface must be available. Be sure your mounting surface is completely prepared (including power) before attempting to install this enclosure.
- Follow all local and national codes regarding the installation including the preparation of the location, electrical, lighting, signage, etc.

Labels

Safety and informational labels are affixed to the enclosure. Read and follow the instructions on the labels.

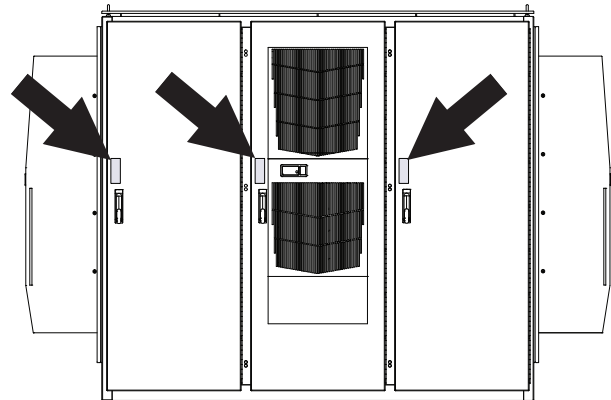
The Static load is limited to 907 kg (2000 lb) per bay. This is the maximum load for each bay of the enclosure.

NetShelter RX Cabinet Schneider Electric		Industrial Control Panel Enclosure E483925 MODEL: AR5333-3B
Listing covers ITC Cabinet Only. Conduit openings to be filled with conduit hubs of the same environmental type ratings as this enclosure.		
L'inscription couvre ITC Armoire uniquement. Les ouvertures des conduits doivent être remplies de moyeux de conduits de même qualité environnementale que cette enceinte.		
Listado cubre ITC Armarios solamente. Las aberturas para conductos deben rellenarse con concentradores para conductos de la misma clasificación ambiental que esta recinto.		
Loaded Equipment Weight Rating: 2000 lbs (907 kg) static per bay		TYPE 4X
Équipement chargé Évaluation du poids: 2000 lb (907 kg) par baie statique		
Equipo cargado Clasificación de peso: 2000 libras (907 kg) por bahía estática		
See installation instructions for grounding requirements. Voir les instructions d'installation pour les exigences de mise à la terre. Ver instrucciones de instalación para los requisitos de puesta a tierra.		

Due to the potential danger of live power once the enclosure is installed, the Hazardous Voltage Danger Label is secured to the front door of each bay to warn of the possible hazard.

 ⚠ DANGER

HAZARDOUS VOLTAGE INSIDE Only qualified personnel may service this equipment. Failure to follow these instructions will result in death or serious injury.
 ⚠ DANGER
TENSION DANGEREUSE À L'INTÉRIEUR Seul un personnel qualifié est autorisé à effectuer l'entretien de cet équipement. Le non-respect de ces instructions peut entraîner la mort ou des blessures graves.
fr
 ⚠ PELIGRO
VOTLAJE PELIGROSO EN EL INTERIOR El mantenimiento de este equipo debe ser realizado únicamente por personal cualificado. El incumplimiento de estas instrucciones ocasionará la muerte o lesiones de gravedad.
es






esr10067a

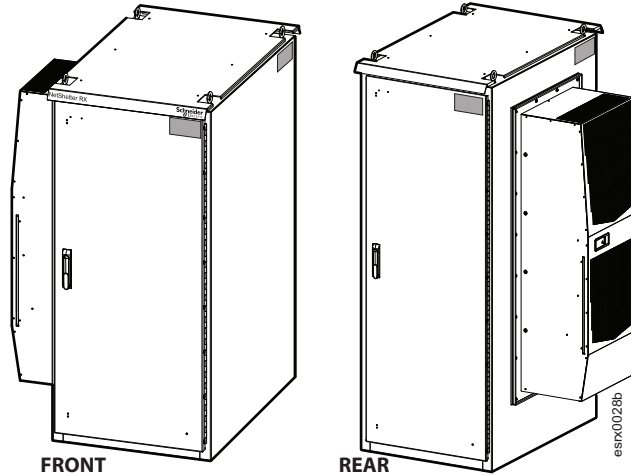
⚠ WARNING

HEAVY EQUIPMENT/TIPPING HAZARD

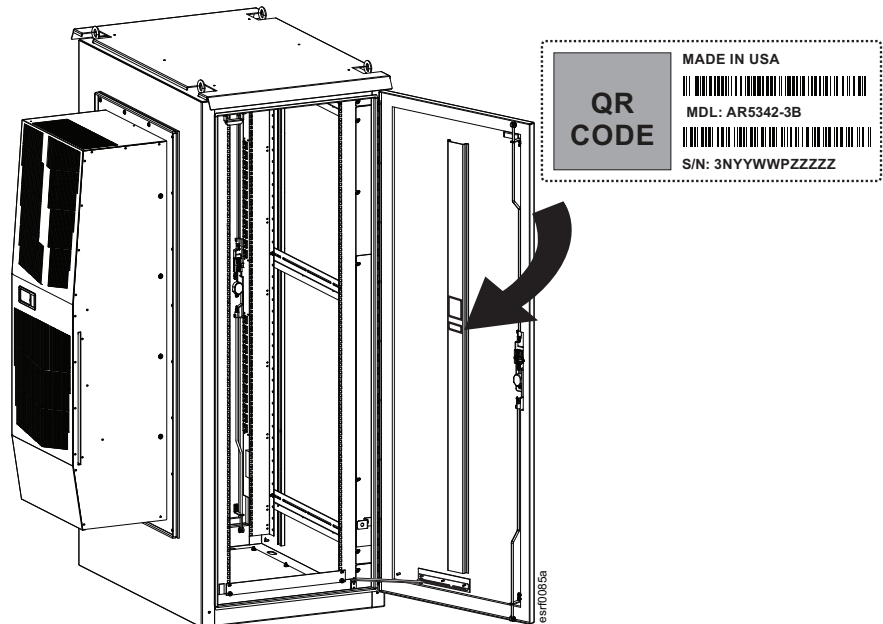
The MDC may be easily tipped. Do not disengage the lifting apparatus until your MDC is secured to the mounting pad.
Failure to follow these instructions can result in death, serious injury or equipment damage.

Tip warning labels are located on all four sides of the enclosure. Follow the instructions carefully.

⚠ WARNING		
		<p>TOP HEAVY EQUIPMENT</p> <ul style="list-style-type: none">• Lift and move carefully and only with appropriate lifting equipment and trained personnel.• This cabinet will tip over easily until fixed in place.• Reference enclosure manual for safe handling instructions <p>Failure to follow these instructions can result in death, serious injury, or equipment damage.</p> 



Use the QR Code on the label located on the inside of the door to access the Submittal Drawings for the enclosures (online). The Submittal Drawings contain the Weight and Center of Gravity tables which can assist in determining the equipment and procedures necessary to safely move the enclosure.



Receiving

Inspect the Equipment

Carefully inspect the shipment for visible signs of damage. If you detect shipping damage, contact your shipping company immediately and Customer Support at www.apc.com or www.se.com.



Recycle or dispose of the packaging materials appropriately.

Moving the Enclosure

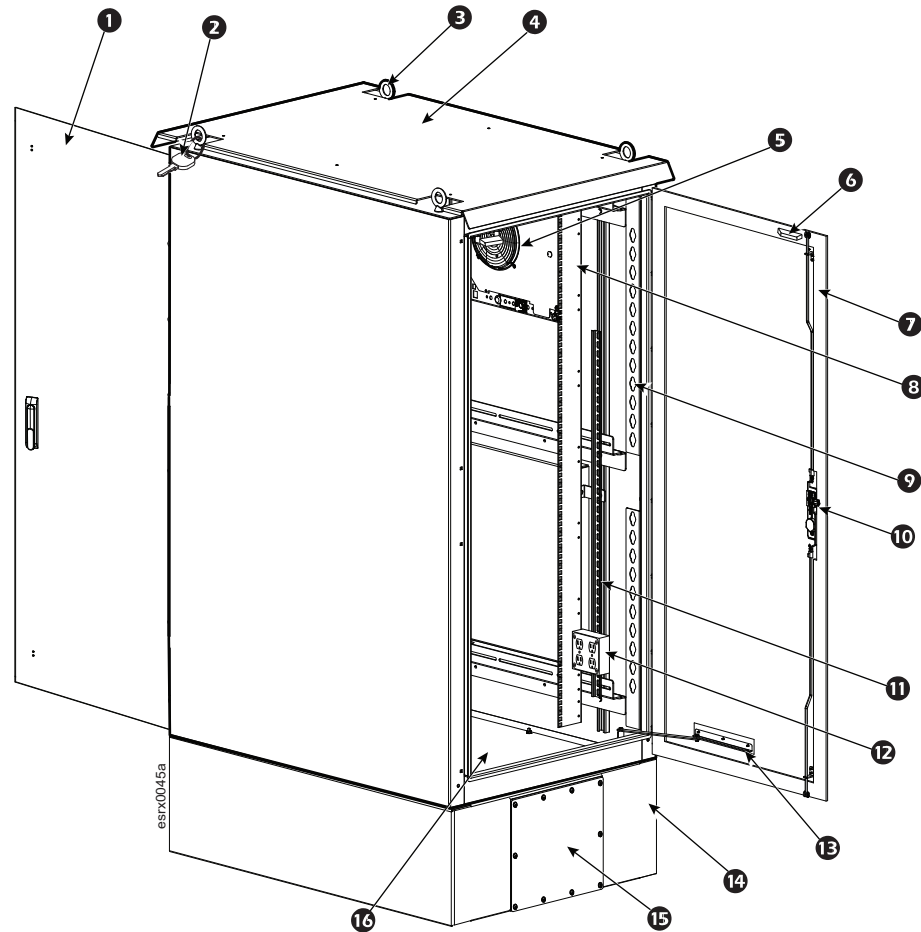
Professional riggers are recommended when unloading and moving the enclosure. Refer to the Unpacking Sheet for more information.

Inventory

Component Identification

NOTE: The illustration below shows a single bay enclosure. The components of the bay are duplicated in enclosures with multiple bays.

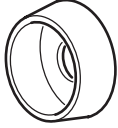
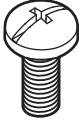

View from Rear of Single Bay Enclosure



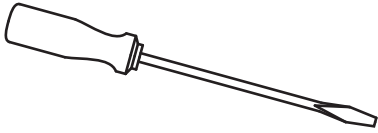
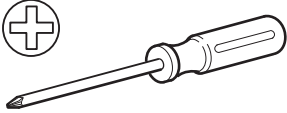
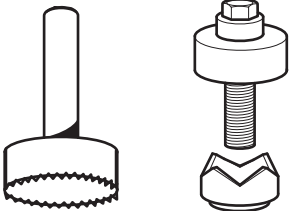
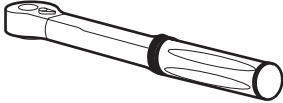
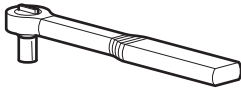
Item	Description	Item	Description
1	Front Door	9	Accessory channel
2	Door key	10	Door handle and locking mechanism
3	Lifting eye	11	DIN rail
4	Sun shield	12	Four socket power outlet box
5	Cooling unit	13	Door limiter
6	Door Sensor (optional)	14	Plinth (optional)
7	Rear door	15	Plinth access panel
8	Vertical Mounting Flange	16	Removable floor panel

NOTE: Not shown, LED lights in roof interior.

Hardware Bag Contents

		
Nylon cup washers (32)	M6 x 16 Slot/Phillips head screw (32)	M6 Cage nut (32)

Tools Required (not provided)

		
Flat tipped screwdriver	Phillips head screwdriver	Hole saw or Hole punch
		
Torque wrench	Socket wrench with 7/16 and 1/2 inch sockets	

Installation

Location

NOTICE

- The enclosure is intended for installation outdoors. A previously prepared surface must be available. Be sure your mounting surface is completely prepared (including power) before attempting to install this enclosure.
- Follow all local and national codes regarding the installation including the preparation of the location, electrical, lighting, signage, etc.

The placement of the enclosure is vital.

1. Be sure to survey the installation area.
2. The ground should be stable.
3. The area should not be prone to wet or flooding conditions.
4. The area should be level with any downhill grades leading away from the installation site to prevent standing water.

Mounting Pad

The surface of the mounting pad must be prepared before installing the enclosure.

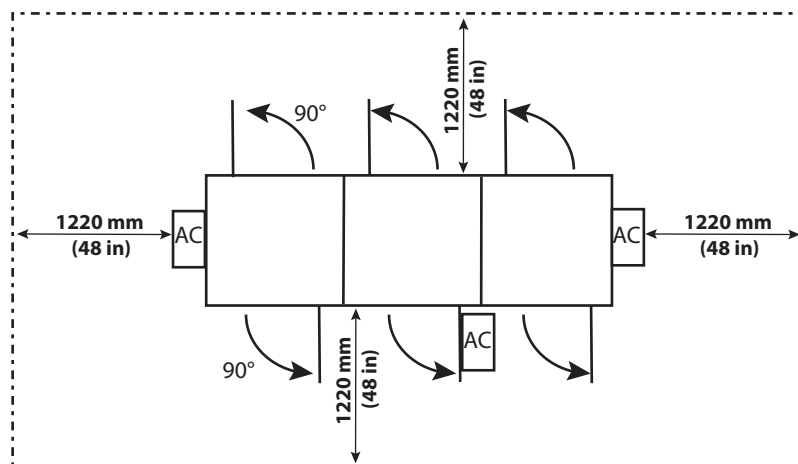
1. If a concrete pad is used, it must be poured with sufficient time to cure properly (at least one week) before the enclosure is installed.
2. The concrete mixture must be calculated to ensure its composition can support the weight of the enclosure and its components.
3. The pad must be level.

Electrical

1. Electrical service must be installed. If a concrete pad will be used, install the electrical conduit prior to pouring the pad.
2. The electrical conduit (the stub-up) must be optimally placed to permit access to the interior of the enclosure.
3. Have electrical conduit installed to the location using the dimensions of your enclosure to ensure the stub-up will be located under a bay floor panel of the enclosure.

Working Area

The location should allow sufficient room to open all doors and allow for equipment installation and maintenance. There should be no blockage of the air conditioning vents. Refer to the manual for your cooling unit for the required clearance.



Ground the Enclosure

The ANSI/TIA/EIA-607 standard is the commercial building grounding and bonding requirements with the primary objective of providing guidance around the issue of bonding and grounding as it relates to building telecommunications infrastructure.

The grounding system starts with a physical connection to your grounding electrode system. Bonding conductors must always be insulated wires made of copper metal.

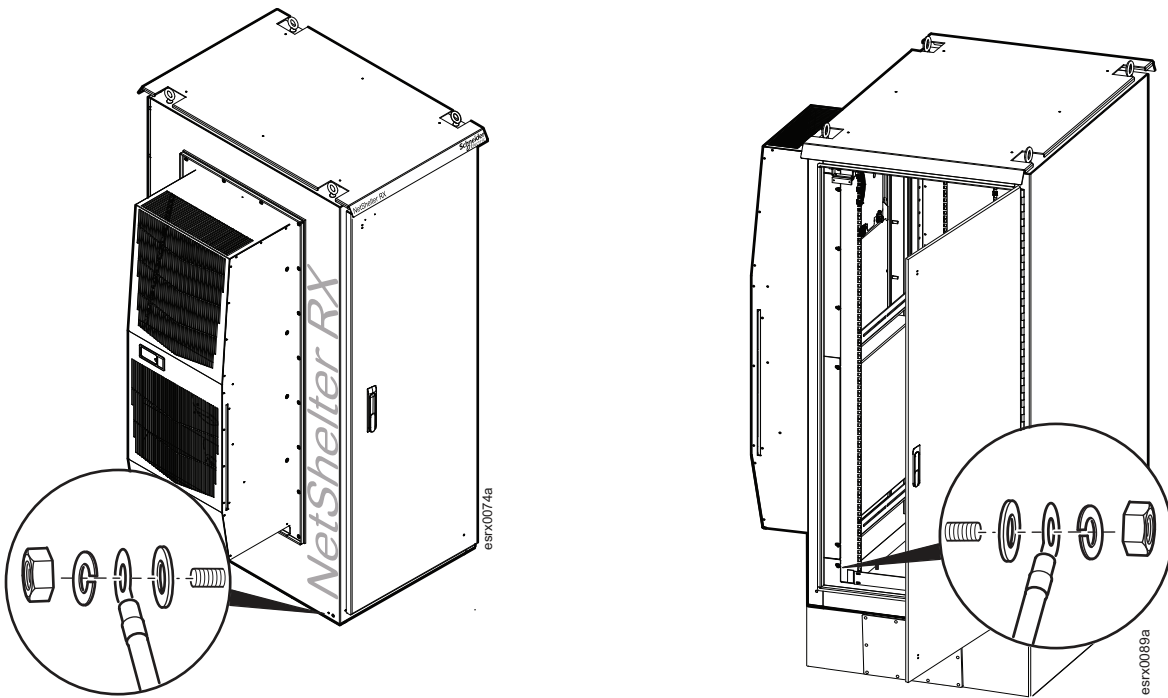
⚡ ⚠ DANGER

HAZARD OF ELECTRIC SHOCK, EXPLOSION, OR ARC FLASH

The enclosure must be grounded. Use the M6 threaded grounding points located on the enclosure exterior.

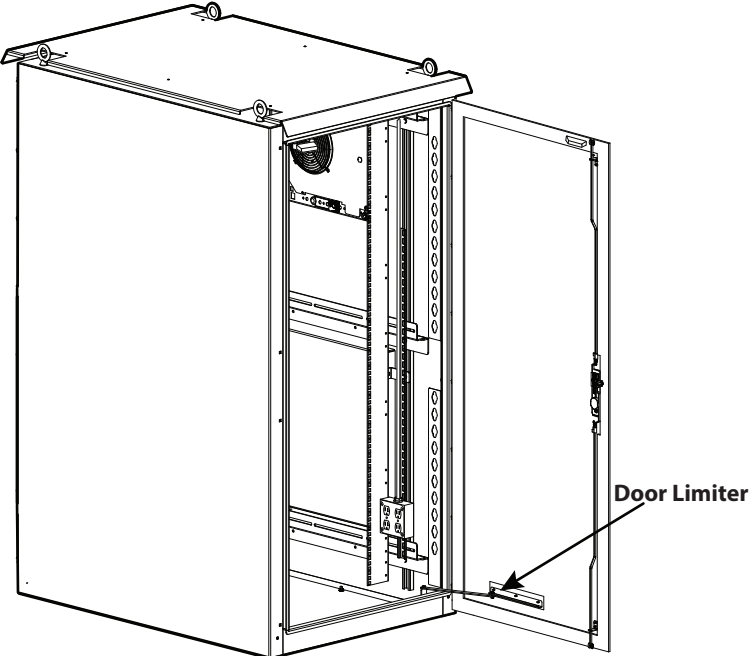
Failure to follow these instructions will result in death or serious injury.

There are two bonding points where a building ground may be installed, one on the exterior of the enclosure and one at the same location but on the inside of the enclosure. The threaded stud includes a nut, washer, and lock nut. Install your ground terminal (not provided) to the stud on the enclosure frame using the provided hardware per NEC NFPA 70 Article 250.12.

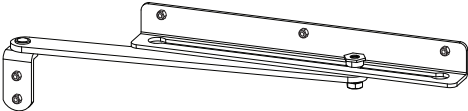


Door Limiter Operation

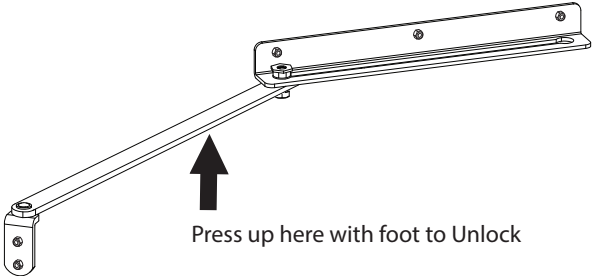
The Door Limiter will lock into position, holding the door open when the door is opened to 90 degrees. To unlock the Door Limiter, place your foot under the brace and lift up. This action will release the brace from the locked position and allow the door to close.



Door Closed Position



Door Opened and Locked Position

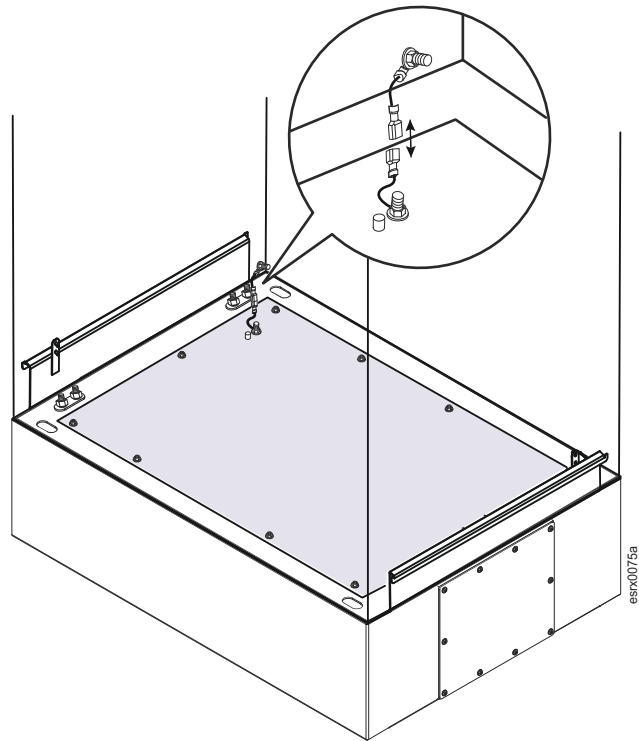


Power Access

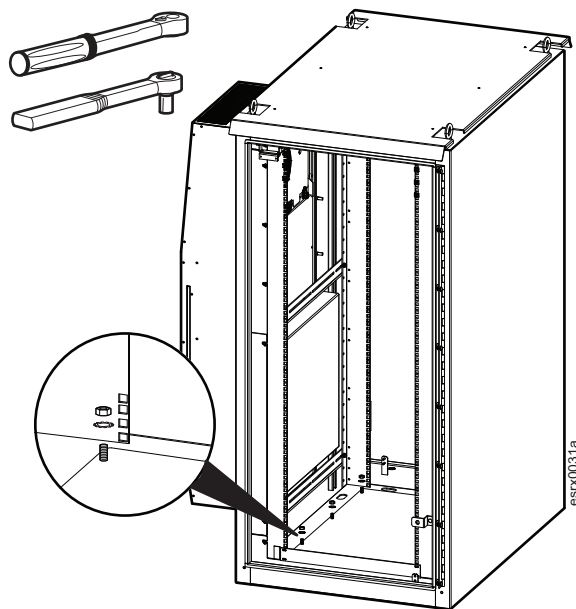
Bring Mains Power Into The Enclosure

The floor panel will require alteration in order to bring power into the enclosure.

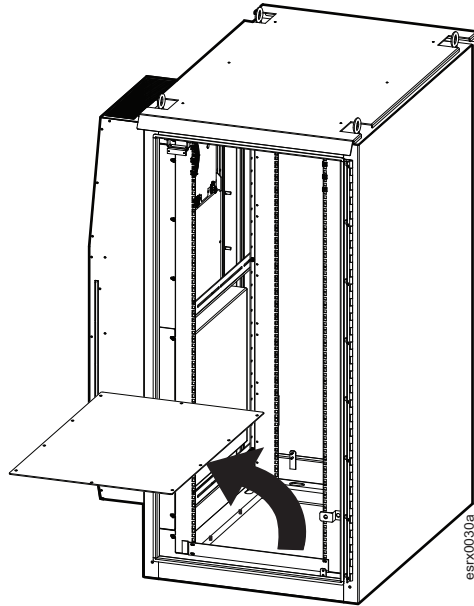
Disconnect the ground wire on the floor panel. If your enclosure has a plinth, there is an additional ground wire to disconnect on the underside of the floor panel.



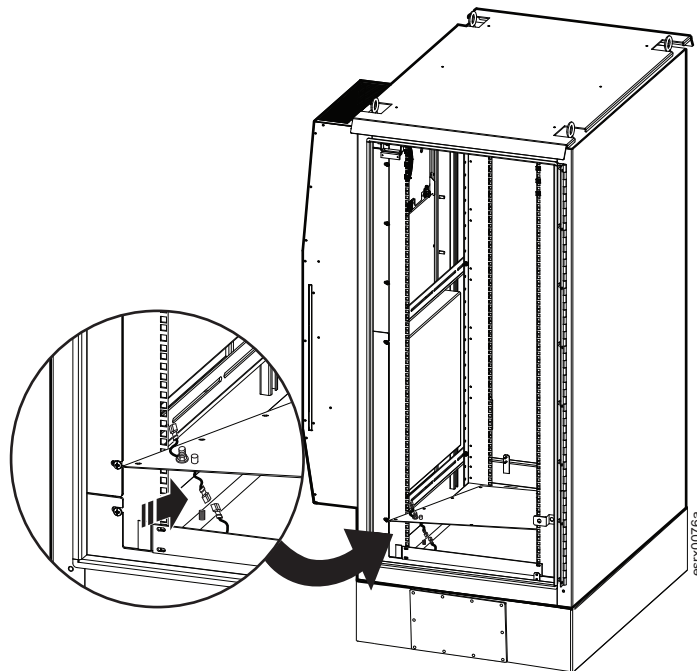
The floor panel is removable. Use a 7/16 in socket wrench (not provided) to remove the ten (10) nuts and washers from the threaded studs.



Lift the floor panel up and over the threaded studs to remove it from the enclosure.



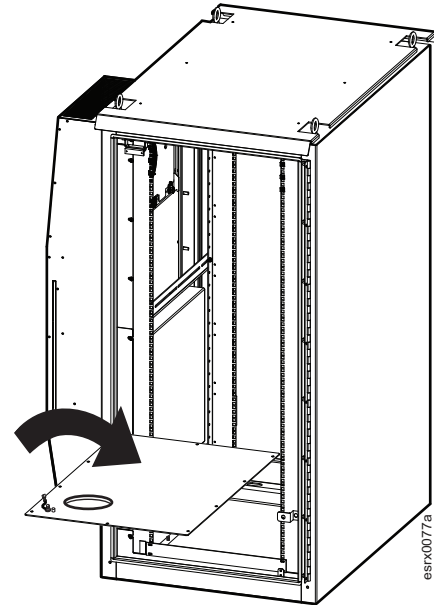
If your enclosure has a plinth, lift the floor panel partially. Disconnect the ground wire connected to the underside of the floor panel, then remove the floor panel.



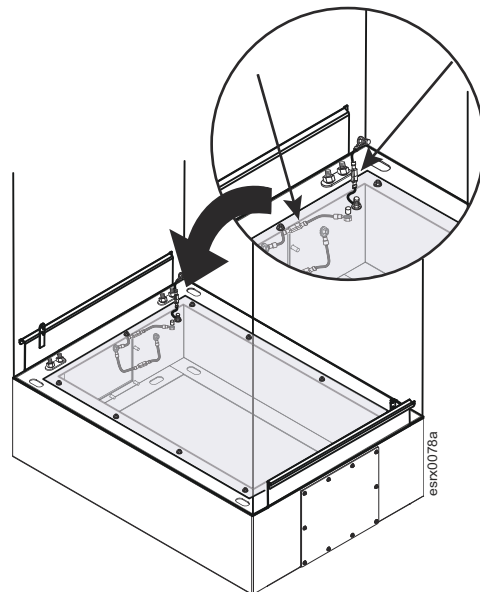
Use an appropriate tool (knockout punch or hole saw, not provided) to install an opening in the floor panel to access the conduit stub. Remove all burrs from the cut metal and install the necessary protective gasket/sealing material (not provided) to protect the conduit stub from sharp edges and to prevent the entry of moisture to the interior of the enclosure.

Install the floor panel over the threaded studs.

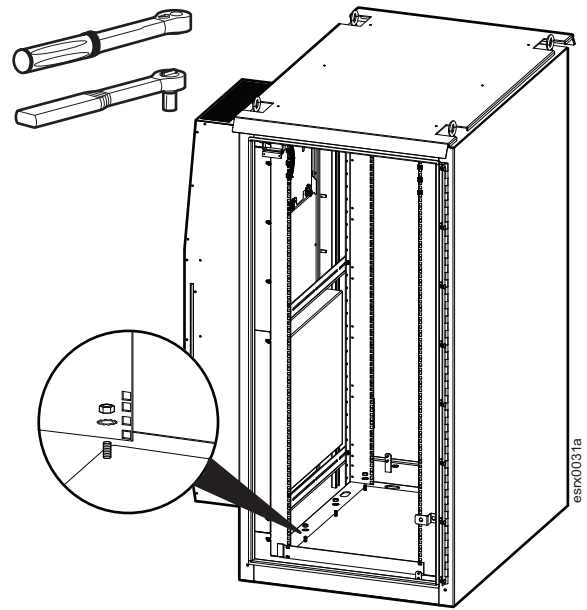
Make the necessary electrical connections using the appropriate conduit and wire size, following national and local electrical codes.



Ensure all disconnected ground wires are reconnected.



Install the nuts and washers to the threaded studs to secure the floor panel. Torque the nuts to 80 in-lbs.



Bring Power to the Outlet Box

DANGER

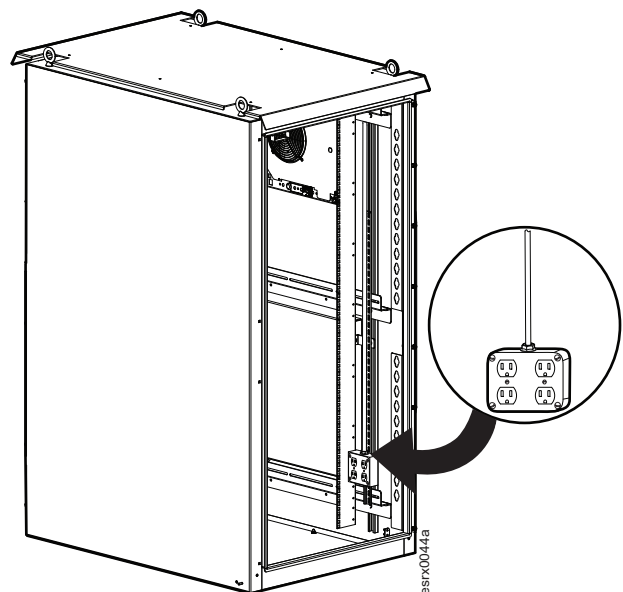
HAZARD OF ELECTRIC SHOCK, EXPLOSION, OR ARC FLASH

- Follow all local and national codes when installing the enclosure.
- Electrical connections and equipment must be installed, operated, serviced, and maintained only by qualified personnel.
- Power must be installed in accordance with the National Electrical Code and all applicable local codes.
- Wear appropriate personal protective equipment (PPE) and follow safe electrical work practices. See NFPA 70E and follow all local codes and regulations.

Failure to follow these instructions will result in death or serious injury.

There is one (1) surface-mounted metal outlet box in each bay of the enclosure. The outlet box is mounted to a DIN rail and both may be moved if desired. Connect the outlet box to power if you plan to use them.

Remove the screws securing the cover to the box. Install conduit and connectors to the box. Bring the wires through the conduit and connect to the terminals on each of the four outlets following national and local electrical codes.

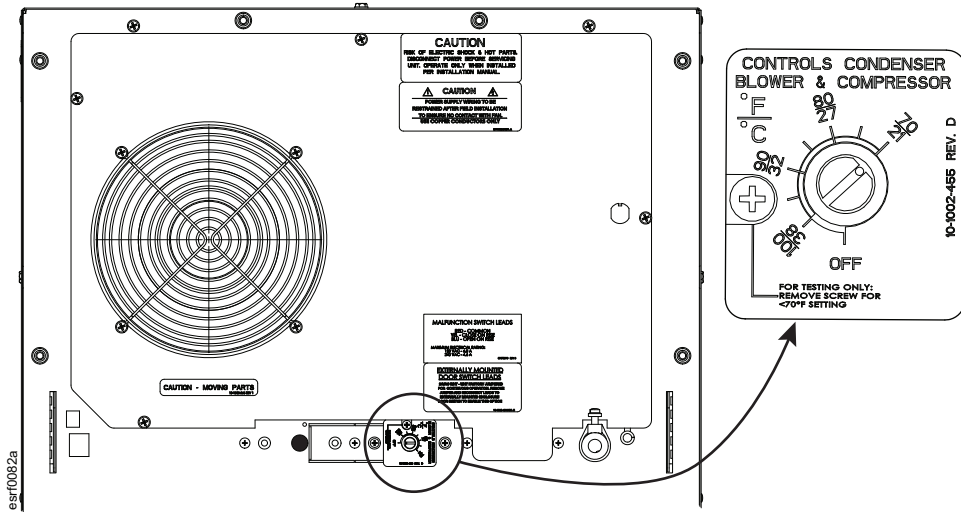


Cooling Unit

Refer to the Cooling Unit instruction manual to connect to power and for operating instructions.

Cooling Setpoint

The default cooling thermostat setpoint is 80°F. This is the temperature at which cooling turns off. There is a 10°F differential from the setpoint until cooling turns on (90°F). To minimize IT equipment inlet temperature, it may be desirable to adjust the thermostat to 70°F or the minimum setpoint available.

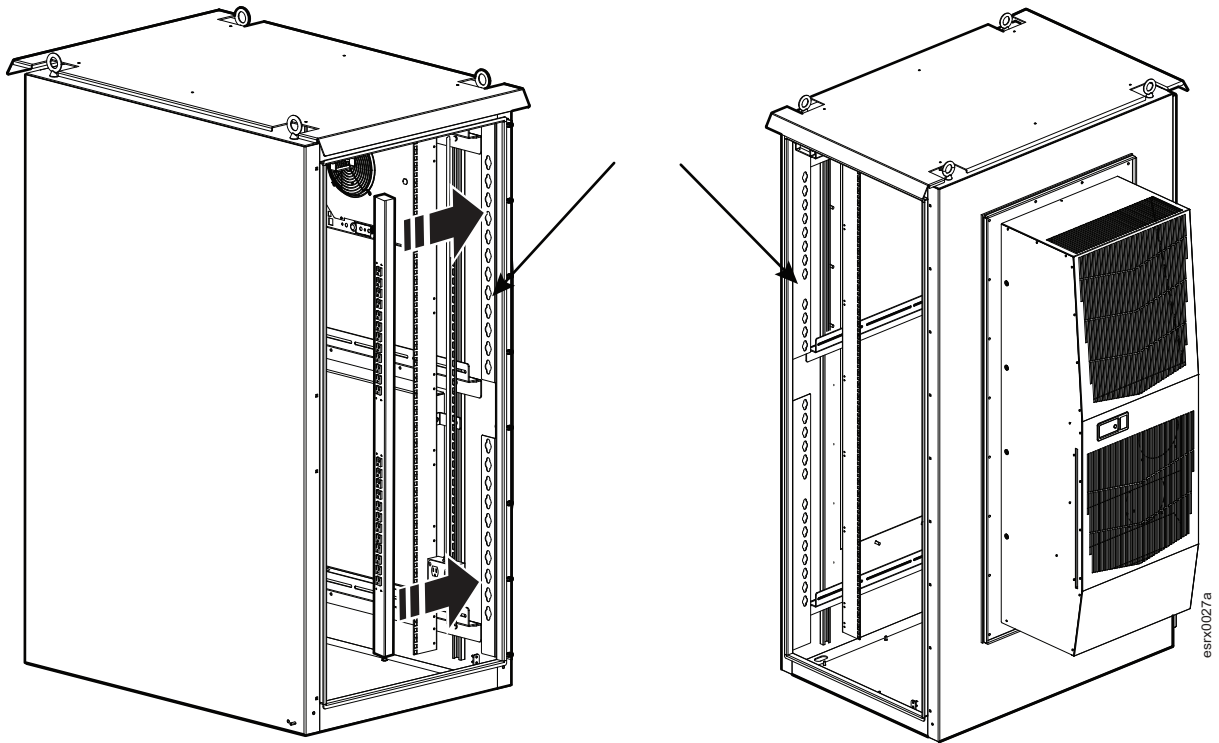


Inlet Air Filter Maintenance

Depending upon the environment around your enclosure, the Inlet Air Filter may become dirty or clogged. Check the filter at regular intervals until you can determine a schedule for cleaning. Follow the instructions for cleaning the filter in your cooling manual.

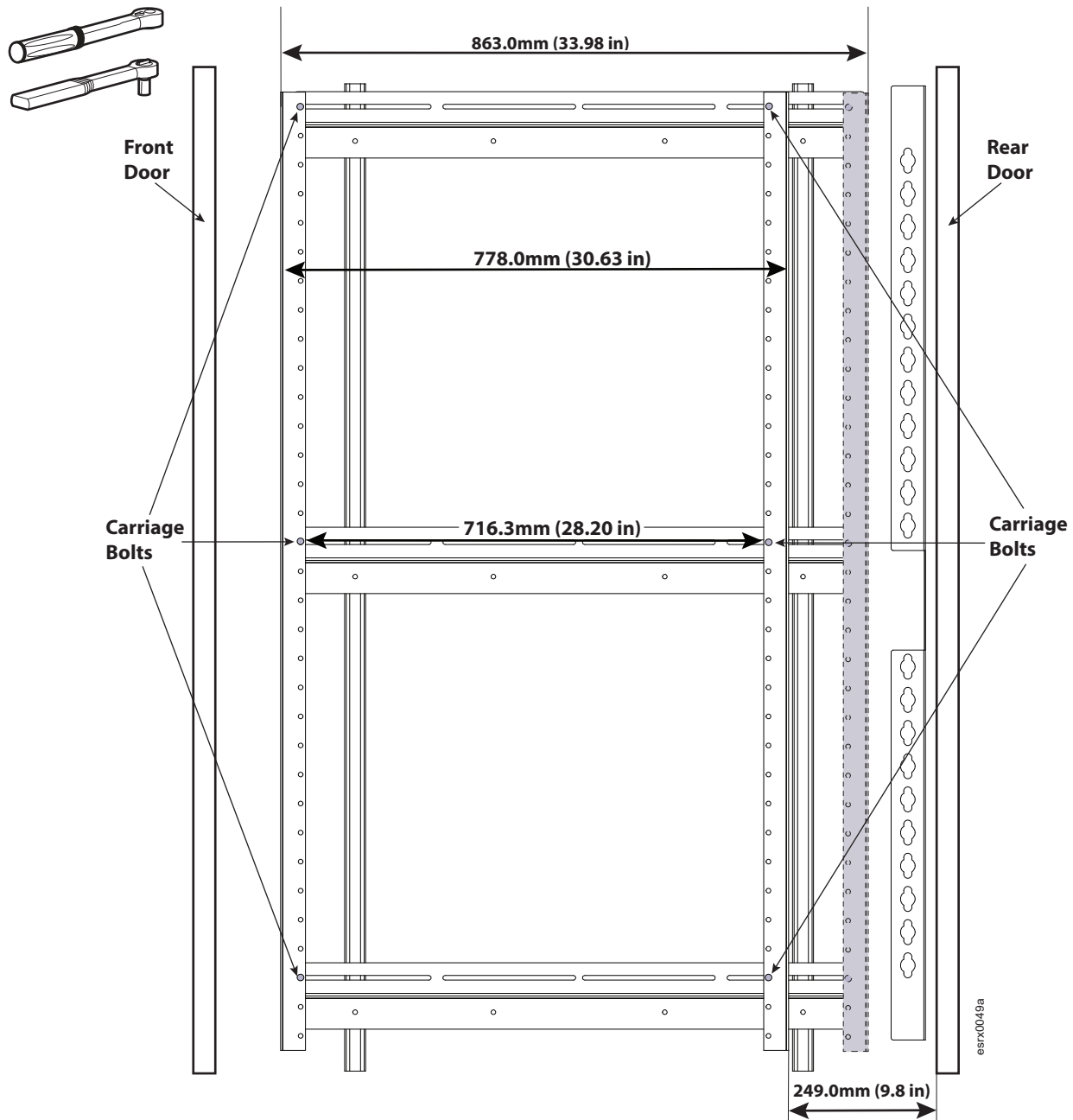
Vertical 0U Accessory Panels

Vertical 0U Accessory Panels are located on either side of the enclosure at the rear. The cutouts in the accessory panel will accommodate the mounting pegs on an APC NetShelter Rack PDU (not provided) as well as other accessories, including Cable managers (not provided).



Vertical Mounting Flanges

The Vertical Mounting Flanges are secured with carriage bolts in the front and rear slots in the cross rails. The Vertical Mounting Flanges are set at 778 mm (30.63 in) between the front and rear Vertical Mounting Flanges. They can be moved 63.5 mm (2.5 in) toward the front and 139.7 mm (5.5 in) toward the rear in the same slot. There are four slots in the horizontal rails. Use a socket wrench and 7/16 inch socket to remove the carriage bolts, if necessary, and install the carriage bolts into either of these additional slots to achieve the necessary dimensions to accommodate your equipment. Torque to 80 in-lbs.



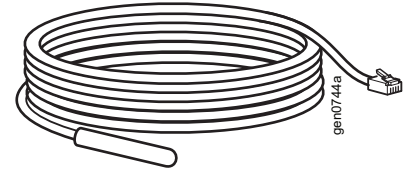
	Equipment Depth - mm (in)	Rear Rail to Door Gap - mm (in)
Standard	778 (30.63)	249 (9.80)
Maximum	863 (33.98)	164 (6.46)
Minimum	76 (3)	951 (37.44)

Security

Sensors

Temperature and Humidity Sensors

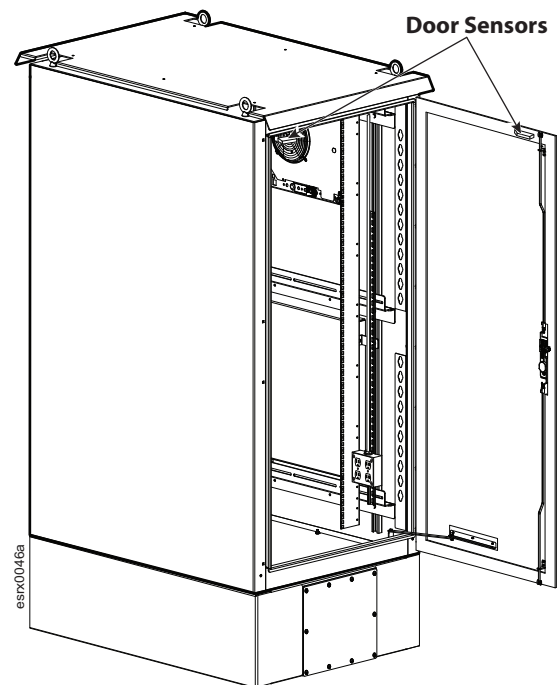
Temperature/Humidity Sensors should be hung in front of your installed equipment in the horizontal center of the bay. A NetBotz appliance is required to monitor the temperature/humidity sensors.



Door Sensors (optional accessory)

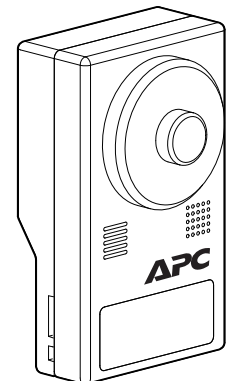
Door sensors can be installed to the doors and to the brackets on the enclosure frame. The magnetic side of the door sensor is installed to the door and the wired sensor is secured to the bracket on the enclosure frame. The sensor cable is installed in your NetBotz appliance. See the illustration for locations.

Follow the installation instructions provided with the door sensors. A NetBotz appliance is required for monitoring the door sensors. Refer to the NetBotz User Guide for setup directions so you will be able to monitor the door sensors.



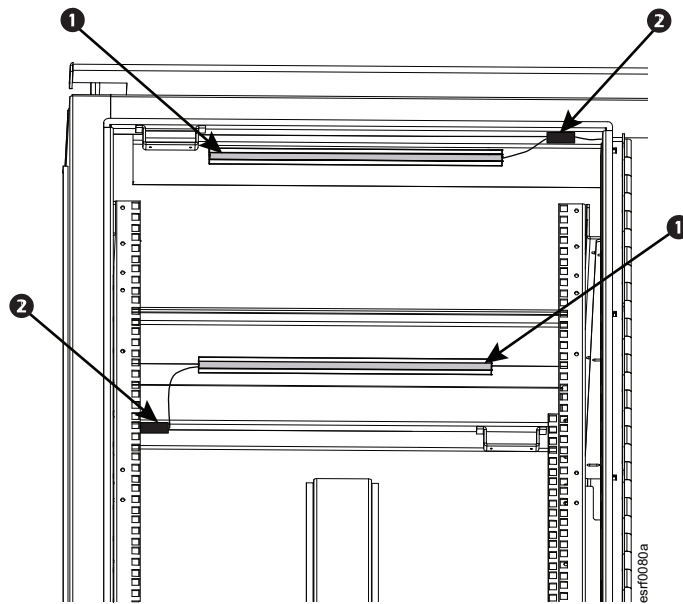
Camera (optional accessory)

An APC NetBotz camera can be installed for additional security. See the installation instructions included with the camera. A NetBotz 750 appliance is required to control and monitor the camera. See your NetBotz 750 manual for setup and operating instructions.

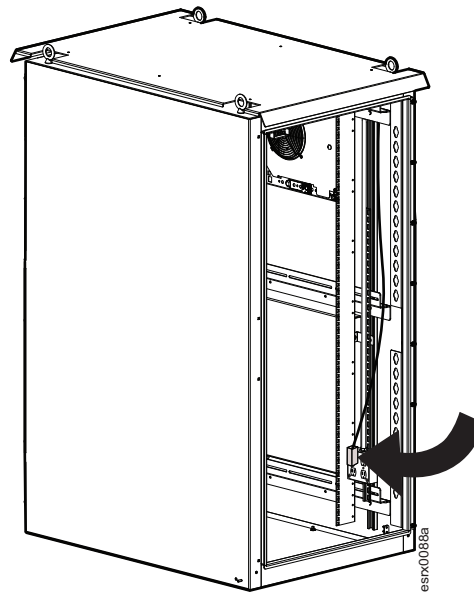


Lighting

An LED light strip ❶ is installed in the roof at the front and rear doors. The power cord includes an ON/OFF switch ❷ which is mounted on the hinge side of the door opening.



The power cord must be plugged into one of the outlets in the power outlet box or to a Rack PDU. Route the power cord down the inside of the enclosure bay and secure it so that it will not be in the way.

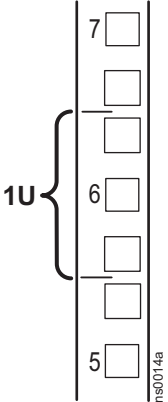


Equipment Installation

Cage Nuts

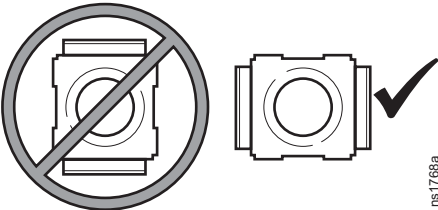
Proper location in the rack for the cage nuts:

- 1. Locate the top and bottom U-Space on the vertical mounting rails. Every third hole on the mounting rails is numbered to indicate the middle of a U-Space.
- 2. Install the cage nuts on the interior of the vertical mounting rail; then install the shelf or equipment.



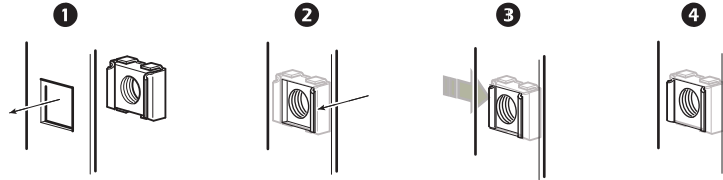
 CAUTION
FALLING EQUIPMENT HAZARD Do not install cage nuts vertically with the tabs engaging the top and bottom of the square hole. Failure to follow these instructions can result in injury or equipment damage.

- Install cage nuts horizontally, with the tabs engaging the sides of the square hole.
- Install the cage nuts on the interior of the vertical mounting rail.



To install a cage nut:

1. The cage nut is installed from the inside of the mounting rail.
2. Hook one tab of the cage nut assembly through the square hole.
3. Pull the cage nut toward the side of the rail that the tab is already through to squeeze it and push the other tab through the hole.
4. The cage nut will snap into position.



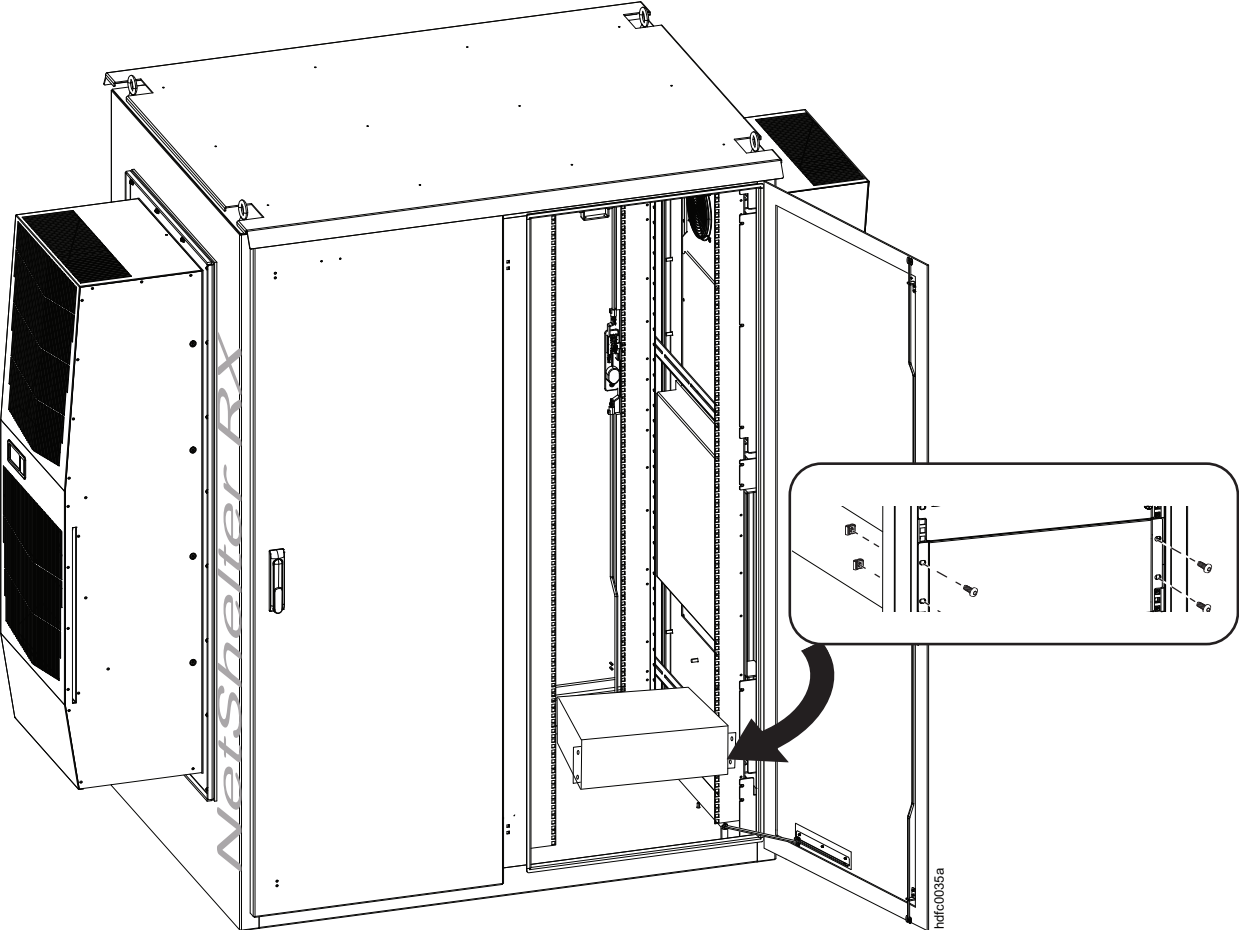
To remove a cage nut:

1. Remove any attached screw.
2. Squeeze the tabs on the sides of the cage nut and push to release it from the square hole.



Loading Equipment Into the Enclosure

Start loading your equipment from the bottom of the enclosure. Load the heaviest equipment first.

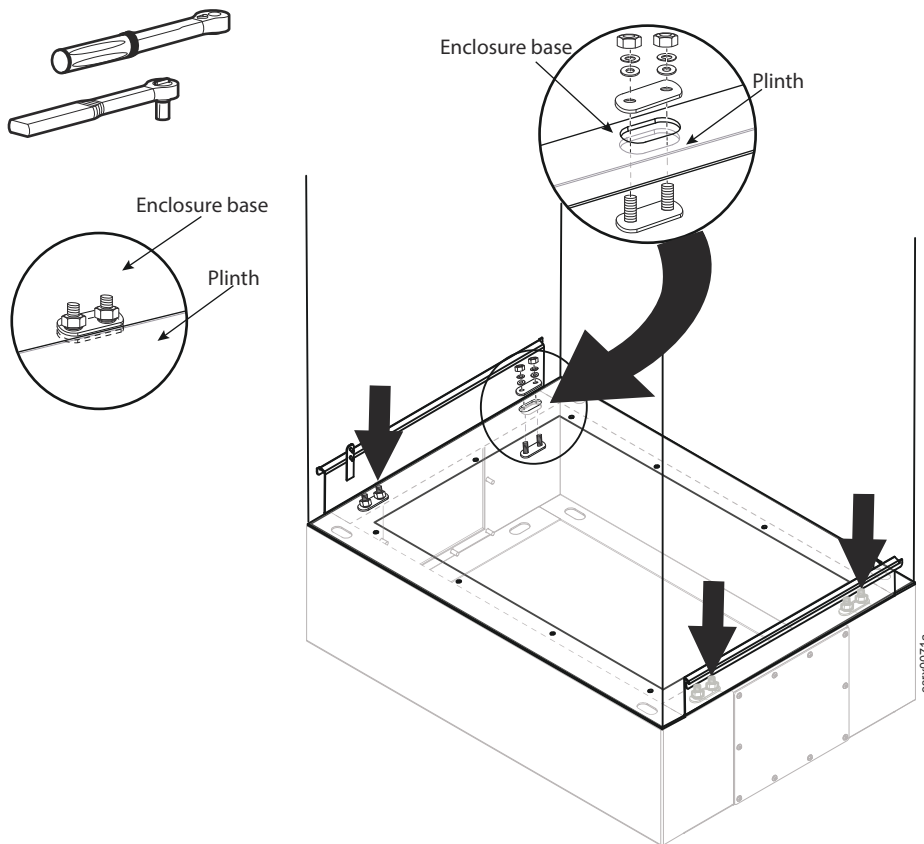


Miscellaneous Maintenance

Plinth

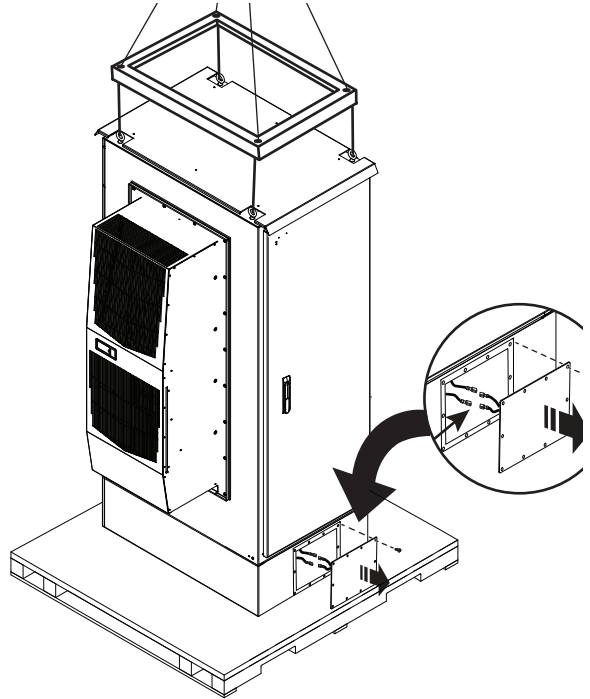
Connection to the Enclosure

The plinth is secured to the MDC enclosure base with four (4) brackets in each bay. The two-piece bracket sandwiches the top of the plinth and bottom of the enclosure together. The bottom piece of the bracket has two threaded posts which fit through the elongated holes in the top of the plinth and bottom of the enclosure. Once the bottom bracket is through the plinth and enclosure the top of the bracket is lowered over the posts of the bottom bracket. The bracket is secured using a washer, lock washer and nut for each threaded post. Use a 1/2 inch socket to tighten or adjust, if necessary. Torque to 120 in-lbs.

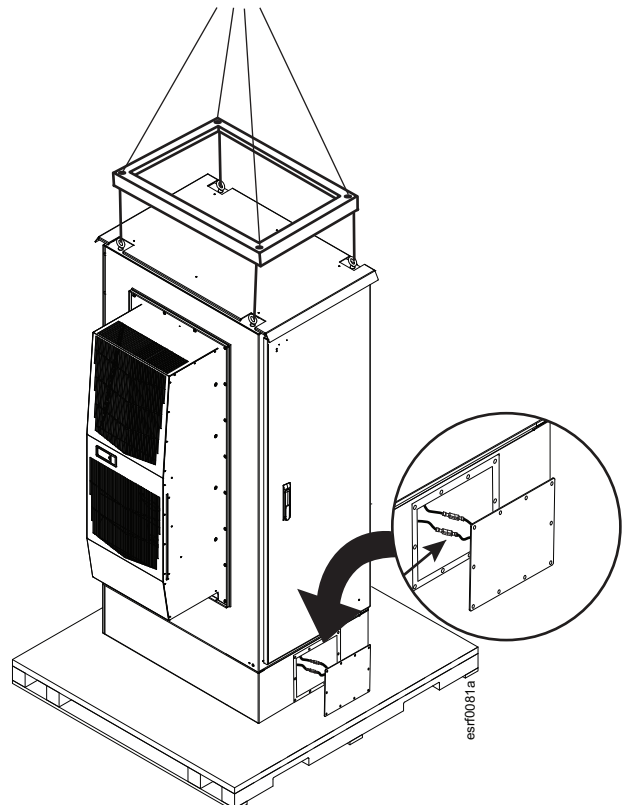


Plinth Access Cover Plate

There are two access cover plates at the front and rear of the plinth. Use a Phillips head screwdriver to remove the screws in the access cover plate. Disconnect the ground wires and remove the cover plate.



Reconnect the ground wires before securing the access cover plate.



Specifications

Compliance Approvals	
UL 508A - Standard for Industrial Control Panels	CAN/CSA C22.2 No. 94.1-07 - Enclosures for Electrical Equipment, Non-Environmental Considerations.
	CAN/CSA C22.2 No. 94.2-07 - Enclosures for Electrical Equipment, Non-Environmental Considerations.
	CSA C22.2 No 73 - Electrically Equipped Machine Tools

Enclosures (without Plinth)

SKU	U-Space	Shipping Dimensions - mm (in) H x W x D	Shipping Weight kg (lb)
AR5342	42U	2215.7 x 1727.2 x 1574.8 (87.2 x 68 x 62)	248.9 (547.6)
AR5342-2B	84U	2215.7 x 2489.2 x 1574.8 (87.2 x 98 x 62)	393.3 (865.3)
AR5342-3B	126U	2215.7 x 3251.2 x 1574.8 (87.2 x 128 x 62)	541.8 (1192.0)
AR5333	33U	1796.7 x 1727.2 x 1574.8 (70.7 x 68 x 62)	216.9 (477.2)
AR5333-2B	66U	1796.7 x 2489.2 x 1574.8 (70.7 x 98 x 62)	356.3 (783.9)
AR5333-3B	99U	1796.7 x 3251.2 x 1574.8 (70.7 x 128 x 62)	491.8 (1082.0)

Riser Base (Plinth)

SKU	Description - mm (in)
ARPB506	Single bay 6" high plinth, 152.4 x 762 x 1066.8 (6 x 30 x 42)
ARPB512	Single bay 12" high plinth, 304.8 x 762 x 1066.8 (12 x 30 x 42)
ARPB506-2B	Double bay 6" high plinth, 152.4 x 1524 x 1066.8 (6 x 60 x 42)
ARPB512-2B	Double bay 12" high plinth, 304.8 x 1524 x 1066.8 (12 x 60 x 42)
ARPB506-3B	Triple bay 6" high plinth, 152.4 x 2286 x 1066.8 (6 x 90 x 42)
ARPB512-3B	Triple bay 12" high plinth, 304.8 x 2286 x 1066.8 (12 x 90 x 42)

Cooling Units

SKU	Description
ACSC5041	2k BTU/hr (0.4kW) 115V
ACSC5042	2k BTU/hr (0.4kW) 230V
ACSC5141	4k BTU/hr (1.4kW) 115V
ACSC5142	4k BTU/hr (1.4kW) 230V
ACSC5231	8k BTU/hr (2.3kW) 115V
ACSC5232	8k BTU/hr (2.3kW) 230V
ACSC5351	12k BTU/hr (3.5kW) 115V
ACSC5352	12k BTU/hr (3.5kW) 230V
ACSC5592	12k BTU/hr (5.9kW) 230V
ACSC5354DC	12k BTU/hr (3.5kW) 48VDC

Warranty - Enclosure Only

Five Year Parts Only Factory Warranty

The limited warranty provided by Schneider Electric in this Statement of Limited Factory Warranty applies only to products you purchase for your commercial or industrial use in the ordinary course of your business.

Terms of warranty

Schneider Electric warrants its products to be free from defects in materials and workmanship for a period of five years from the date of purchase. The obligation of Schneider Electric under this warranty is limited to repairing or replacing, at its sole discretion, any such defective products. This warranty does not apply to equipment that has been damaged by accident, negligence, or misapplication or has been altered or modified in any way. Repair or replacement of a defective product or part thereof does not extend the original warranty period. Any parts furnished under this warranty may be new or factory- remanufactured.

Non-transferable warranty

This warranty extends only to the original purchaser who must have properly registered the product. The product may be registered at the Schneider Electric Web site, www.se.com.

Exclusions

Schneider Electric shall not be liable under the warranty if its testing and examination disclose that the alleged defect in the product does not exist or was caused by end user's or any third person's misuse, negligence, improper installation or testing. Further, Schneider Electric shall not be liable under the warranty for unauthorized attempts to repair or modify wrong or inadequate electrical voltage or connection, inappropriate on-site operation conditions, corrosive atmosphere, repair, installation, start-up by non-Schneider Electric designated personnel, a change in location or operating use, exposure to the elements, Acts of God, fire, theft, or installation contrary to Schneider Electric recommendations or specifications or in any event if the Schneider Electric serial number has been altered, defaced, or removed, or any other cause beyond the range of the intended use.

THERE ARE NO WARRANTIES, EXPRESS OR IMPLIED, BY OPERATION OF LAW OR OTHERWISE, OF PRODUCTS SOLD, SERVICED OR FURNISHED UNDER THIS AGREEMENT OR IN CONNECTION HERewith. SCHNEIDER ELECTRIC DISCLAIMS ALL IMPLIED WARRANTIES OF MERCHANTABILITY, SATISFACTION AND FITNESS FOR A PARTICULAR PURPOSE. SCHNEIDER ELECTRIC EXPRESS WARRANTIES WILL NOT BE ENLARGED, DIMINISHED, OR AFFECTED BY AND NO OBLIGATION OR LIABILITY WILL ARISE OUT OF, SCHNEIDER ELECTRIC RENDERING OF TECHNICAL OR OTHER ADVICE OR SERVICE IN CONNECTION WITH THE PRODUCTS. THE FOREGOING WARRANTIES AND REMEDIES ARE EXCLUSIVE AND IN LIEU OF ALL OTHER WARRANTIES AND REMEDIES. THE WARRANTIES SET FORTH ABOVE CONSTITUTE SCHNEIDER ELECTRIC'S SOLE LIABILITY AND PURCHASER'S EXCLUSIVE REMEDY FOR ANY BREACH OF SUCH WARRANTIES. SCHNEIDER ELECTRIC WARRANTIES EXTEND ONLY TO PURCHASER AND ARE NOT EXTENDED TO ANY THIRD PARTIES.

IN NO EVENT SHALL SCHNEIDER ELECTRIC, ITS OFFICERS, DIRECTORS, AFFILIATES OR EMPLOYEES BE LIABLE FOR ANY FORM OF INDIRECT, SPECIAL, CONSEQUENTIAL OR PUNITIVE DAMAGES, ARISING OUT OF THE USE, SERVICE OR INSTALLATION, OF THE PRODUCTS, WHETHER SUCH DAMAGES ARISE IN CONTRACT OR TORT, IRRESPECTIVE OF FAULT, NEGLIGENCE OR STRICT LIABILITY OR WHETHER SCHNEIDER ELECTRIC HAS BEEN ADVISED IN ADVANCE OF THE POSSIBLY OF SUCH DAMAGES. SPECIFICALLY, SCHNEIDER ELECTRIC IS NOT LIABLE FOR ANY COSTS, SUCH AS LOST PROFITS OR REVENUE, LOSS OF EQUIPMENT, LOSS OF USE OF EQUIPMENT, LOSS OF SOFTWARE, LOSS OF DATA, COSTS OF SUBSTITUENTS, CLAIMS BY THIRD PARTIES, OR OTHERWISE.

NO SALESMAN, EMPLOYEE OR AGENT OF SCHNEIDER ELECTRIC IS AUTHORIZED TO ADD TO OR VARY THE TERMS OF THIS WARRANTY. WARRANTY TERMS MAY BE MODIFIED, IF AT ALL, ONLY IN WRITING SIGNED BY AN SCHNEIDER ELECTRIC OFFICER AND LEGAL DEPARTMENT.

Warranty claims

Customers with warranty claims issues may access the Schneider Electric customer support network through the Support page of the Schneider Electric Web site, www.se.com/support. Select your country from the country selection pull-down menu at the top of the Web page. Select the Support tab to obtain contact information for customer support in your region.

Schneider Electric
70 Mechanic Street
Foxboro, MA 02035
USA

www.se.com

As standards, specifications, and design change from time to time,
please ask for confirmation of the information given in this publication.

© 2023 - Schneider Electric. All rights reserved.

990-900009