

Easy UPS 3S Dry Contact I/O SmartSlot Card (E3SOPT010)

NOTE: Only one dry contact I/O SmartSlot card can be installed in the UPS.

Characteristics of output contacts (pin 3, 5 – 9):

- Permissible voltage: 24 V
- Permissible current: 1 A

Definitions of Output Contacts (Pin 3, 5 – 9)

Pin	Pin name	Description
3	Utility/mains unavailable	Utility/mains is unavailable. Active: low
5	UPS on	UPS is in normal mode. Active: low
6	Battery low	Battery voltage reaches EOD. Active: low
7	General alarm	UPS gives off general alarm such as input out of tolerance, battery low, manual bypass, or output overload. Active: low
8	Bypass active or No output	UPS is in bypass mode, or there is no output power to load. Active: low
9	UPS inoperable	UPS is inoperable in cases of REC inoperable, INV inoperable or Bypass inoperable. Active: low

Characteristics of input contact (pin 4):

NOTE: Do not duplicate the settings of the internal configurable dry contactor (standard in the UPS) on pin 4 to shut down the UPS.

- Permissible voltage: 24 V
- Permissible current: 80 mA
- Reverse max voltage: 6 V

Definitions of Input Contact (Pin 4)

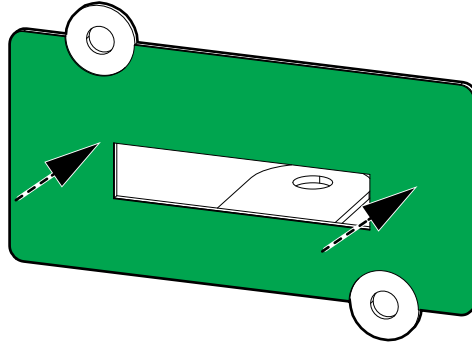
Pin	Pin name	Description
4	Shut down UPS	UPS can be shut down by energizing this pin with external power supply for at least two seconds.

Definitions of Other Contacts (Pin 1, 2)

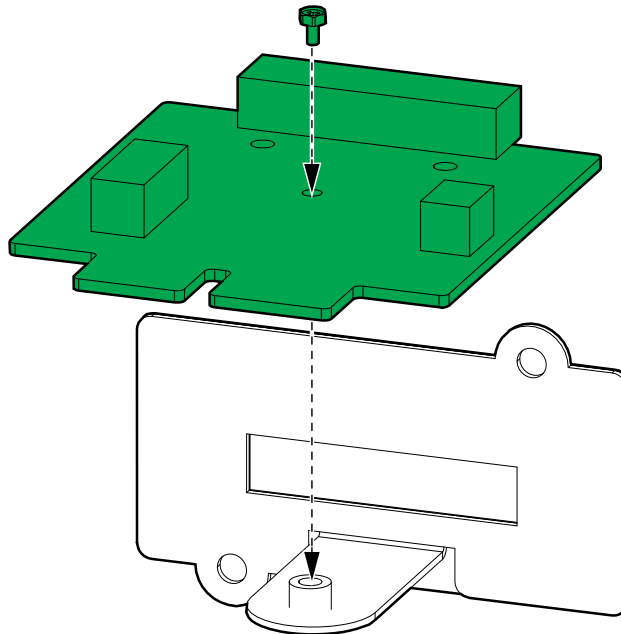
Pin	Pin name	Description
1	VCC	Power supply common for output contacts. Must apply external power supply max 24 V to pin 1 and pin 2.
2	GND	Common ground for external power supply and input/output signal.

1. Assemble the dry contact I/O SmartSlot card:

a. Add the black protective film to the front bracket.

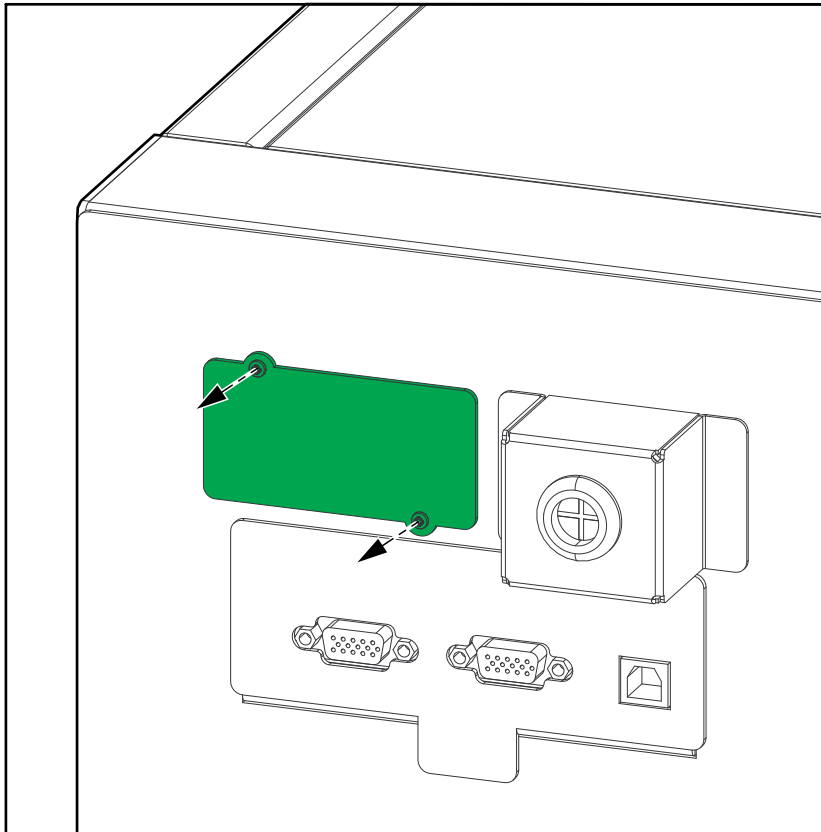


b. Install the PCBA board on the front bracket and fasten with the screw provided. Torque to 0.49 Nm (0.37 lb-ft/4.33 lb-in).



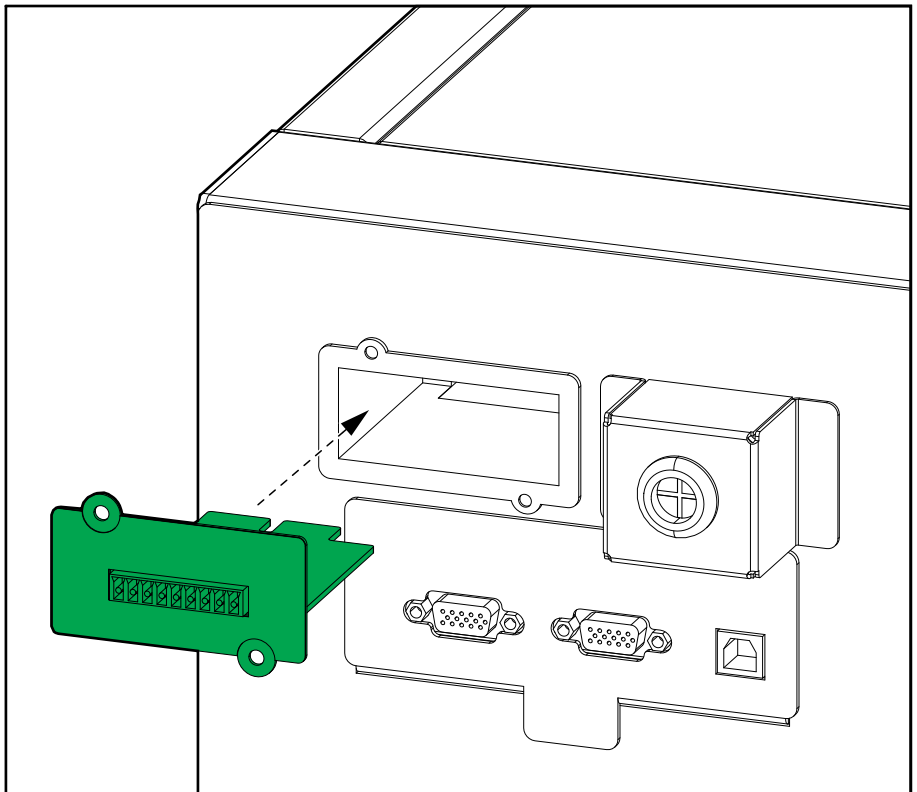
2. Remove the SmartSlot cover from the rear panel of the UPS.

Rear View



3. Insert the dry contact I/O SmartSlot card into the SmartSlot and fix with the screws. Torque to 0.49 Nm (0.37 lb-ft).

Rear View



- Follow the diagram, connect the 22 AWG signal cable to the 9-pin female connector provided. Connect the 9-pin female connector to the dry contact card.

NOTE: Route the signal cables separately from the power cables.

Rear View

