

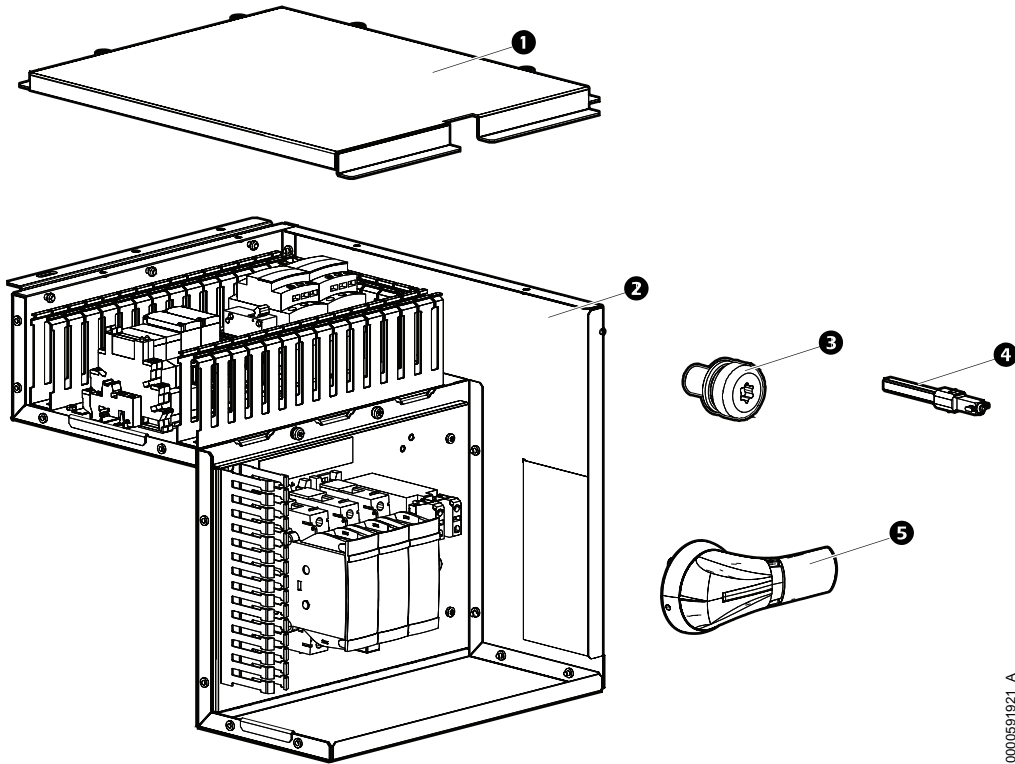
## ACAC10051–ACAC10052 ATS Accessory Kit for ACRH301/ACHU300 Series

### What's in This Document

ACAC10051 (ACHU300, ACHU300–L) .....	2
Inventory.....	2
Installation Procedure .....	3
ACAC10052 (ACHU302, ACHU302–L) .....	10
Inventory.....	10
Installation Procedure .....	11

# ACAC10051 (ACHU300, ACHU300-L)

## Inventory



Item	Description	Quantity	Item	Description	Quantity
1	ATS top panel	1	4	Enclosed switch shaft	1
2	ATS BOX Kit (Factory pre-assembled)	1	5	External switch handle	1
3	M5x10 TORX® screw	3			

# Installation Procedure

## ⚠️ DANGER

### HAZARD OF ELECTRIC SHOCK, EXPLOSION, OR ARC FLASH

- Apply appropriate personal protective equipment (PPE) and follow safe electrical work practices.
- This equipment must be installed and serviced by qualified and trained personnel only.
- Turn off all power supplying this equipment before working on or inside the equipment. For the dry cooler only, it is necessary to remove the power supply plug before opening the electrical panel.
- Replace all devices, doors, and covers before turning on power to this equipment.

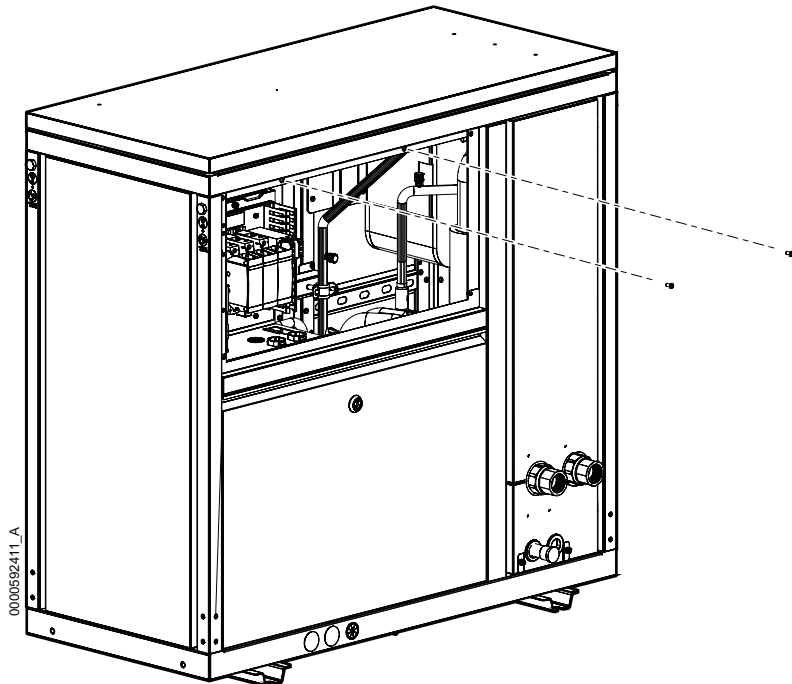
**Failure to follow these instructions will result in death or serious injury.**

1. Remove power from the unit.
2. Open the electrical panel of the unit.

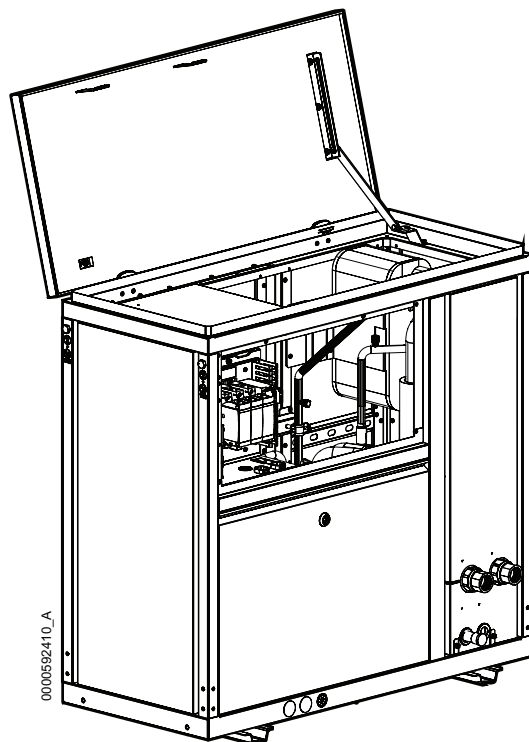


See the "Panel Removal" section of the unit *Installation Manual* for instructions on accessing the electrical panel.

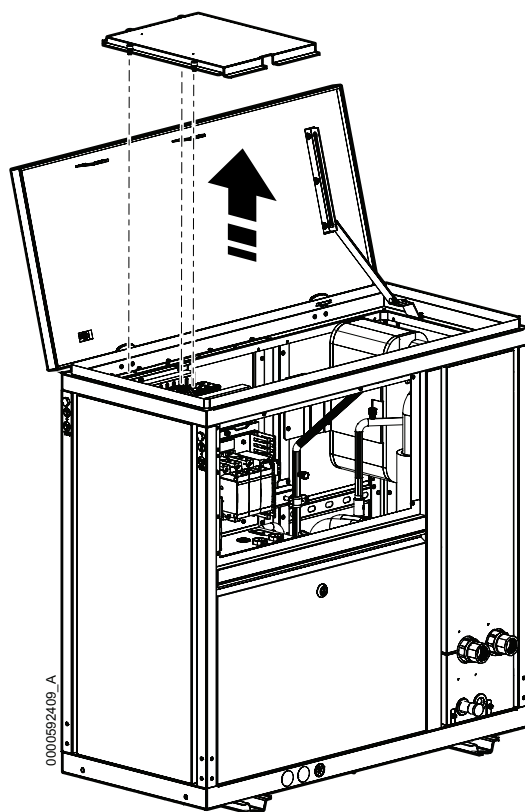
3. Remove the two M5x12 PHIL® screw.



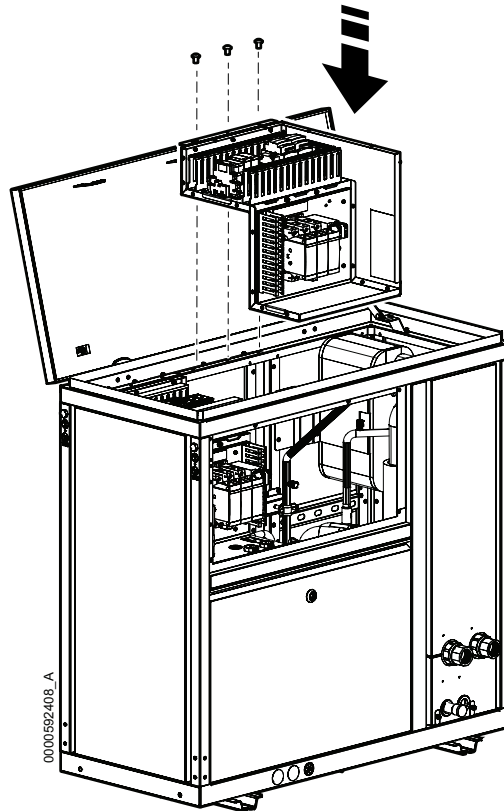
4. Open the roof panel, then lock the position by the support arm on the right side.



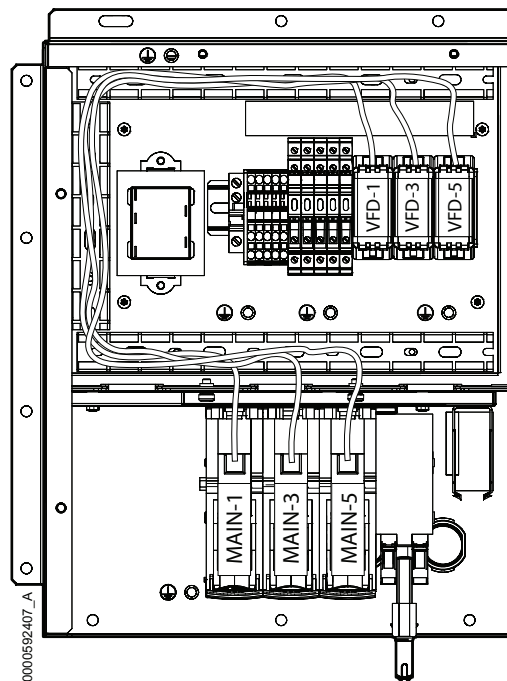
5. Remove the electrical box top panel.



6. Put the ATS kit in the unit and fix it using three M5x10 TORX® screws.

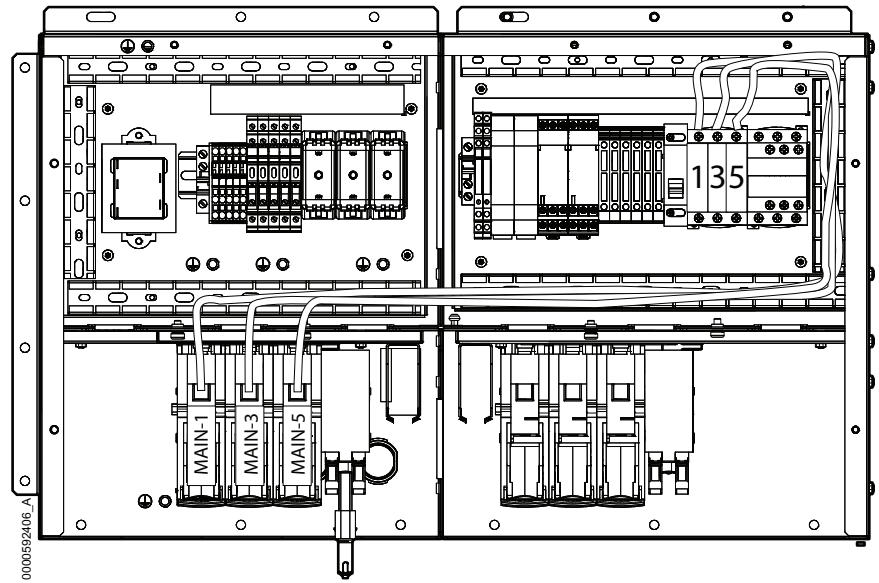


7. Connect the cables of the ATS kit to electrical box:
- Remove the red wire from VFD-1 to MAIN-1 and scrap it.
  - Remove the yellow wire from VFD-3 to MAIN-3 and scrap it.
  - Remove the blue wire from VFD-5 to MAIN-5 and scrap it.



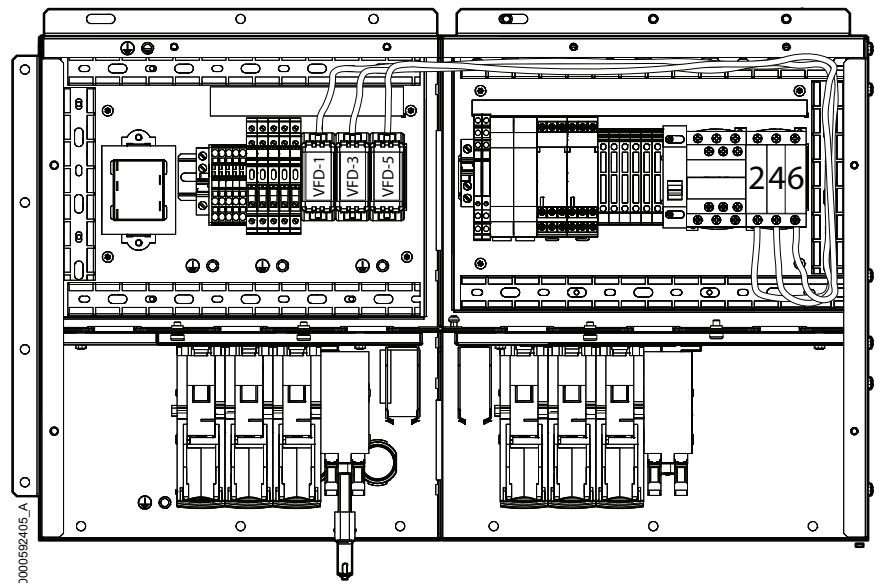
- d. Connect the red wire 1 to MAIN-1.
- e. Connect the yellow wire 3 to MAIN-3.
- f. Connect the blue wire 5 to MAIN-5.

**NOTE:** The cables are located in the wiring duct.

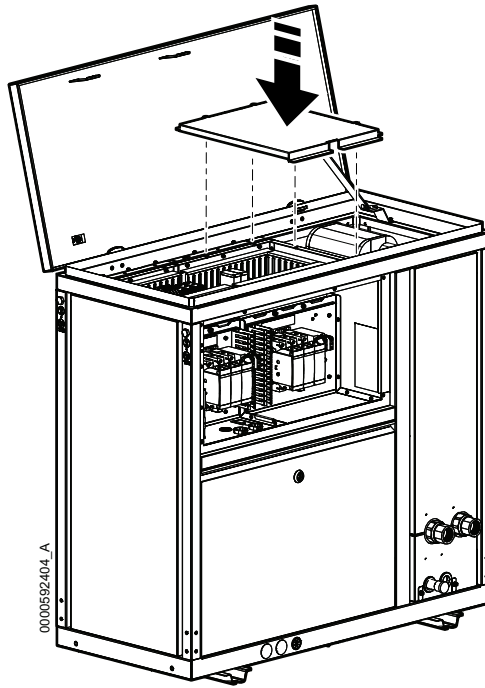


- g. Connect the red wire 2 to VFD-1.
- h. Connect the yellow wire 4 to VFD-3.
- i. Connect the blue wire 6 to VFD-5.

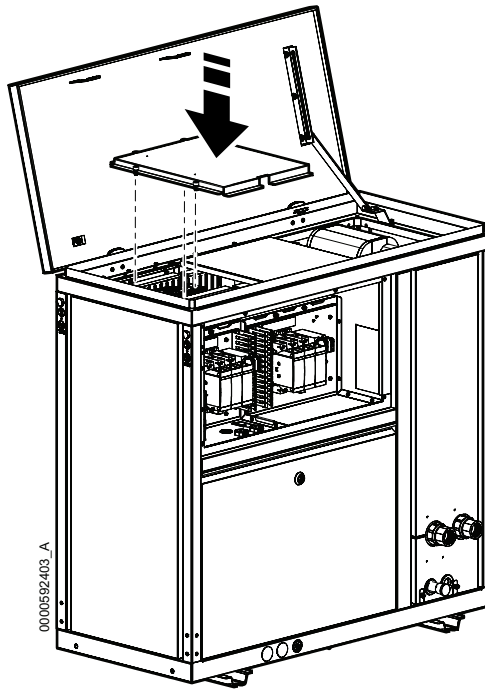
**NOTE:** The cables are located in the wiring duct.



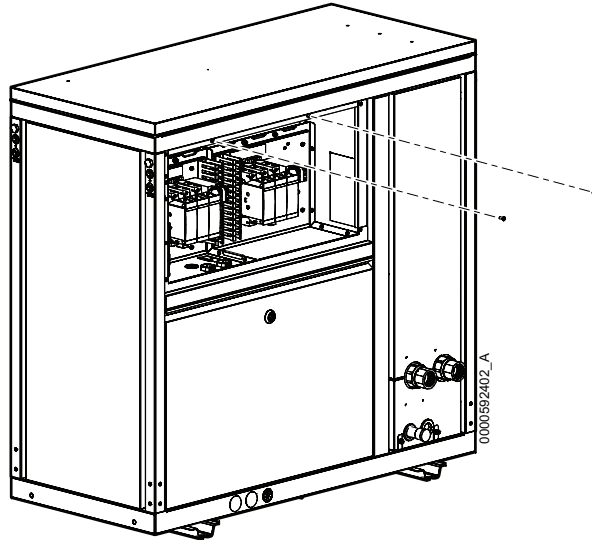
8. Add ATS top panel and fix the captive screws.



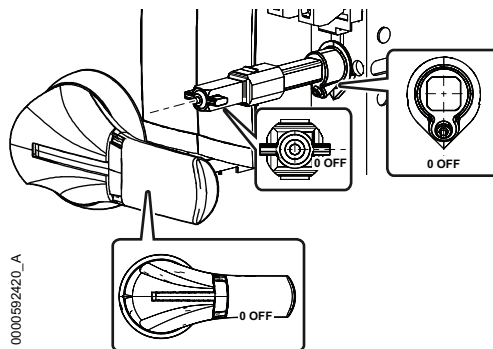
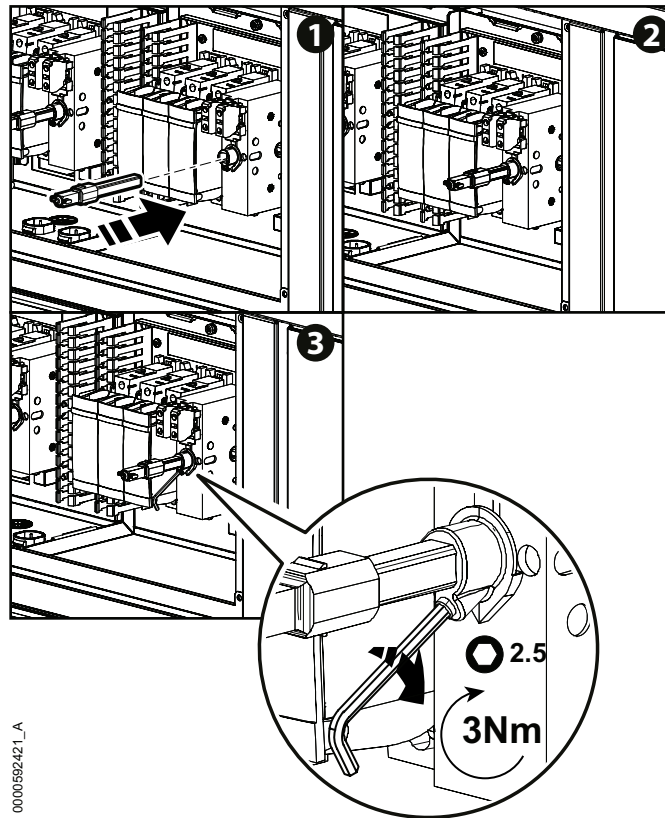
9. Install the electrical box top panel.



10. Close the panel and fix again the two M5x12 PHIL® screw.



11. Install the enclosed switch shaft as shown in the pictures below.





12. Open the bottom front panel.



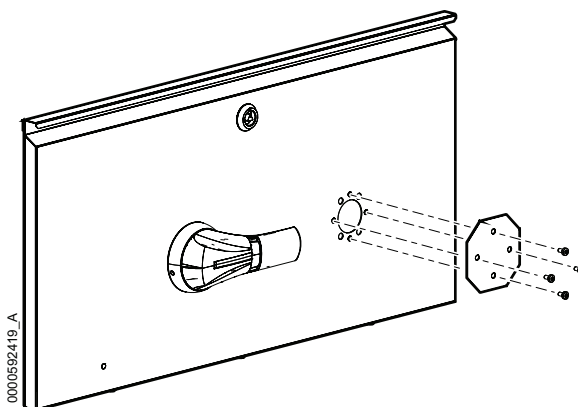
See the "Panel Removal" section of the unit *Installation Manual* for instructions on removing.

13. Plug in customer cable and connect to the ATS switch.

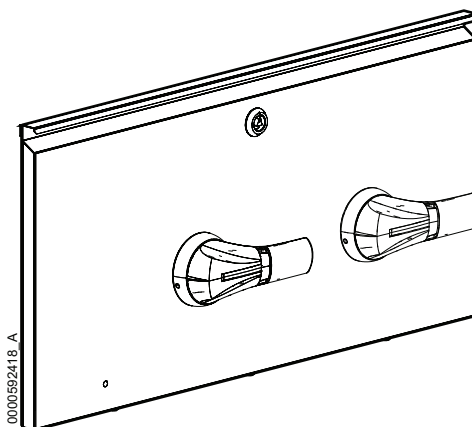


See the "Electrical Connections" section of the unit *Installation Manual* for instructions on routing and connecting customer cables.

14. Remove the octagonal small panel by removing the four M4x8 TORX® screw, then scrap it all.



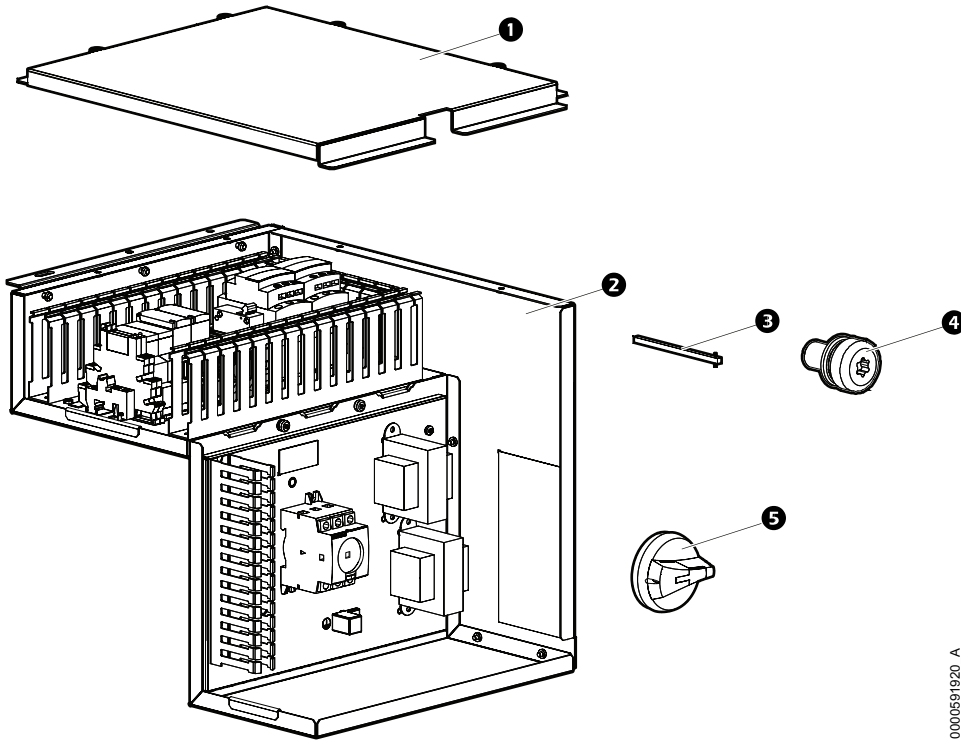
15. Add the external switch handle in the same location.



16. Reinstall the electrical panel.

# ACAC10052 (ACHU302, ACHU302–L)

## Inventory



Item	Description	Quantity	Item	Description	Quantity
1	ATS top panel	1	4	Enclosed switch shaft	1
2	ATS BOX Kit (Factory pre-assembled)	1	5	External switch handle	1
3	M5x10 TORX® screw	3			

# Installation Procedure

## ⚠️ DANGER

### HAZARD OF ELECTRIC SHOCK, EXPLOSION, OR ARC FLASH

- Apply appropriate personal protective equipment (PPE) and follow safe electrical work practices.
- This equipment must be installed and serviced by qualified and trained personnel only.
- Turn off all power supplying this equipment before working on or inside the equipment. For the dry cooler only, it is necessary to remove the power supply plug before opening the electrical panel.
- Replace all devices, doors, and covers before turning on power to this equipment.

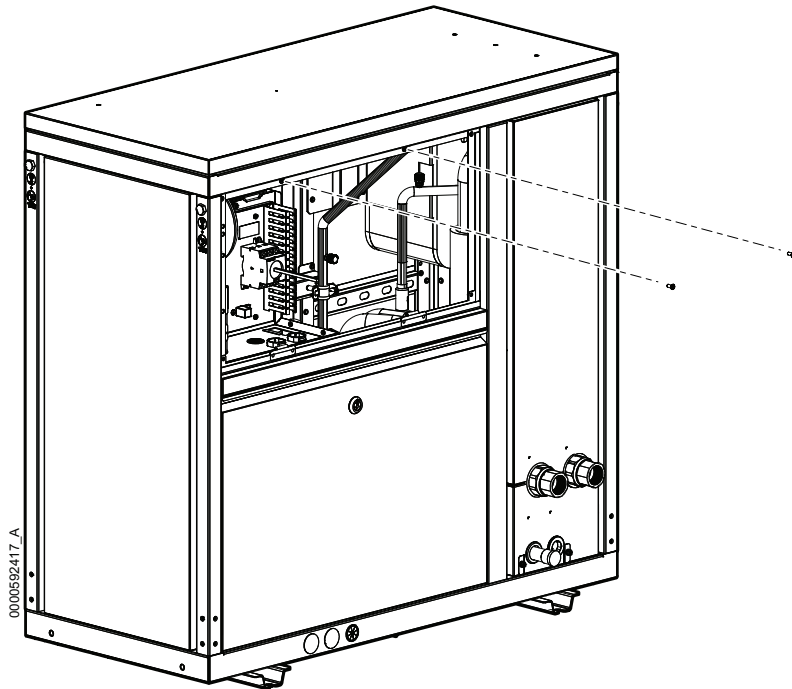
**Failure to follow these instructions will result in death or serious injury.**

1. Remove power from the unit.
2. Open the electrical panel of the unit.

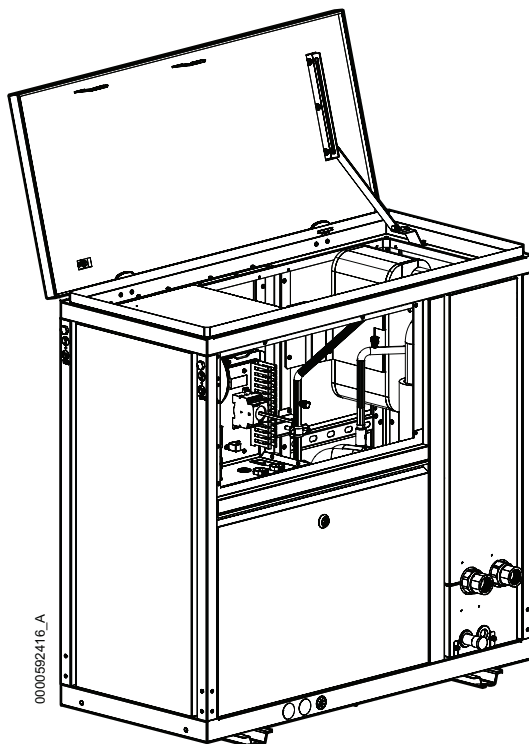


See the "Panel Removal" section of the unit *Installation Manual* for instructions on accessing the electrical panel.

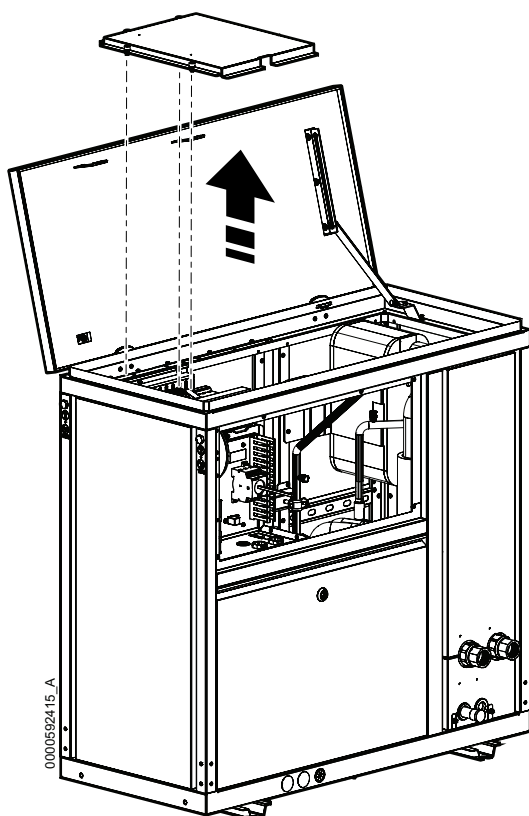
3. Remove the two M5x12 PHIL® screw.



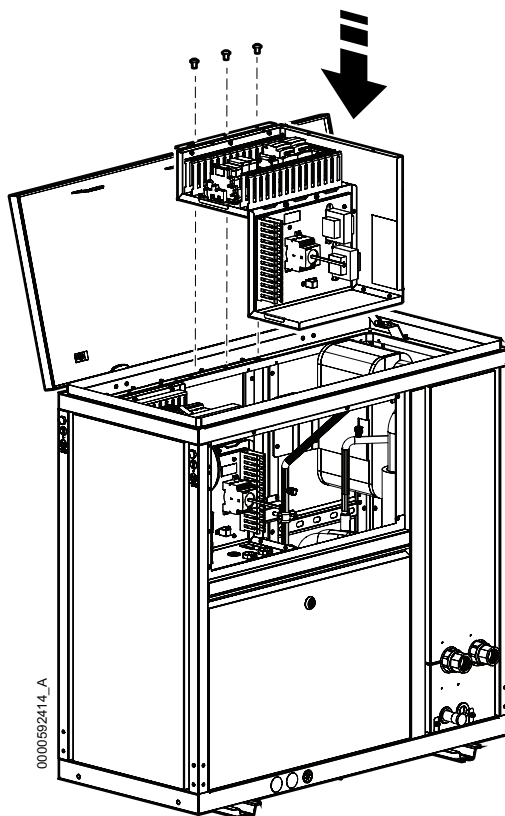
4. Open the roof panel, then lock the position by the support arm on the right side.



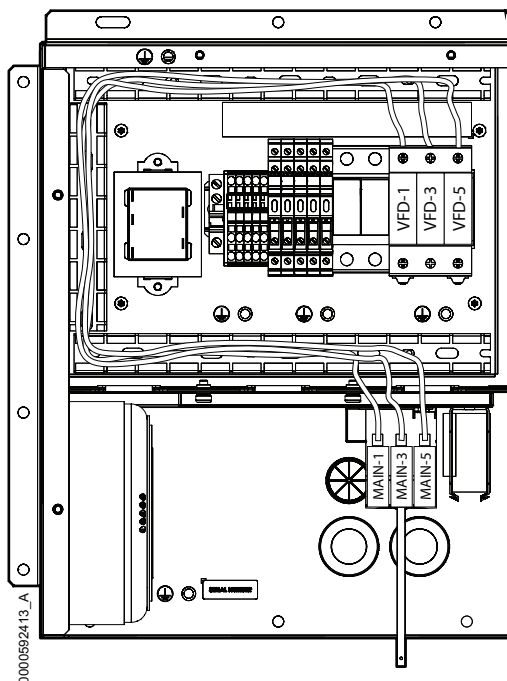
5. Remove the electrical box top panel.



6. Put the ATS kit in the unit and fix it using three M5x10 TORX® screws.

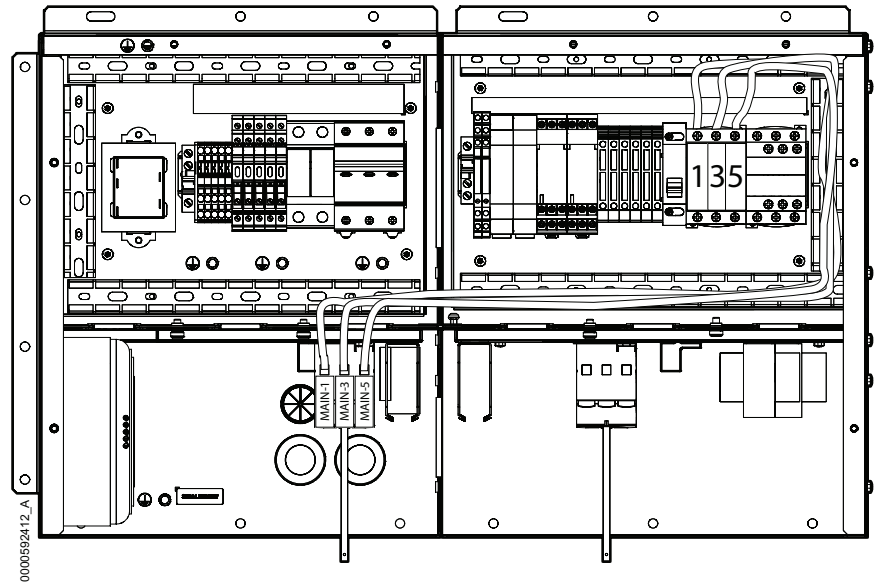


7. Connect the cables of the ATS kit to electrical box:
- Remove the red wire from VFD-1 to MAIN-1 and scrap it.
  - Remove the yellow wire from VFD-3 to MAIN-3 and scrap it.
  - Remove the blue wire from VFD-5 to MAIN-5 and scrap it.



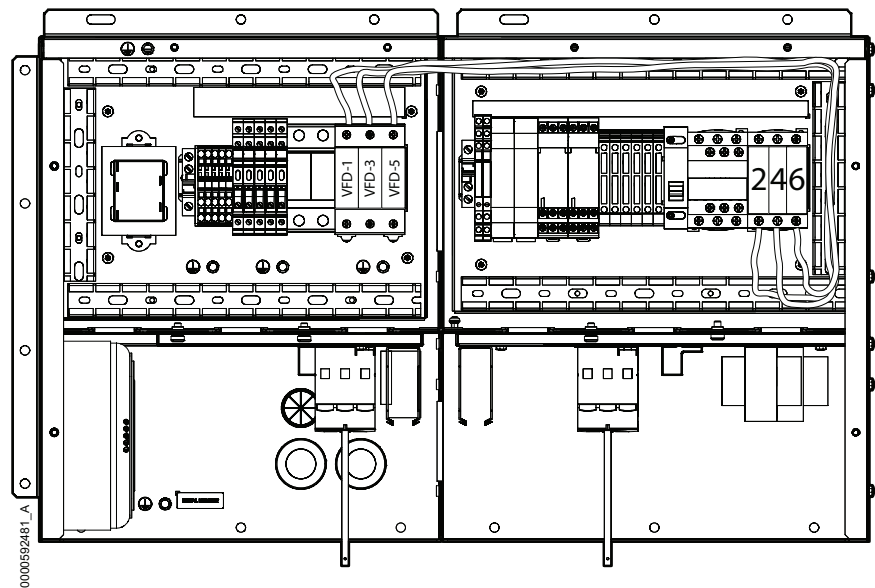
- d. Connect the red wire 1 to MAIN-1.
- e. Connect the yellow wire 3 to MAIN-3.
- f. Connect the blue wire 5 to MAIN-5.

**NOTE:** The cables are located in the wiring duct.

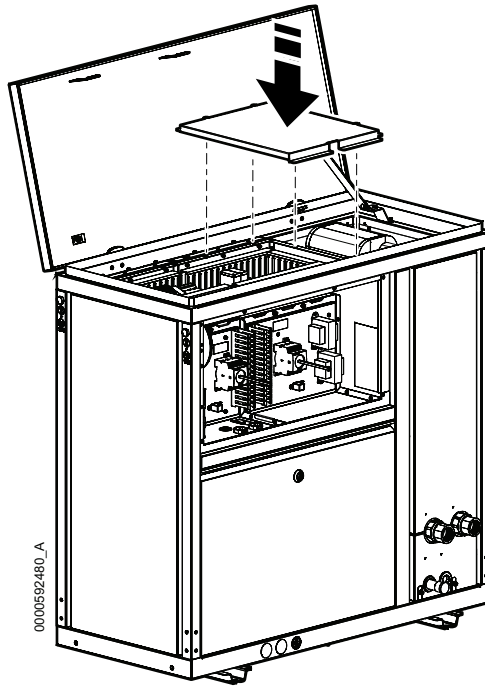


- g. Connect the red wire 2 to VFD-1.
- h. Connect the yellow wire 4 to VFD-3.
- i. Connect the blue wire 6 to VFD-5.

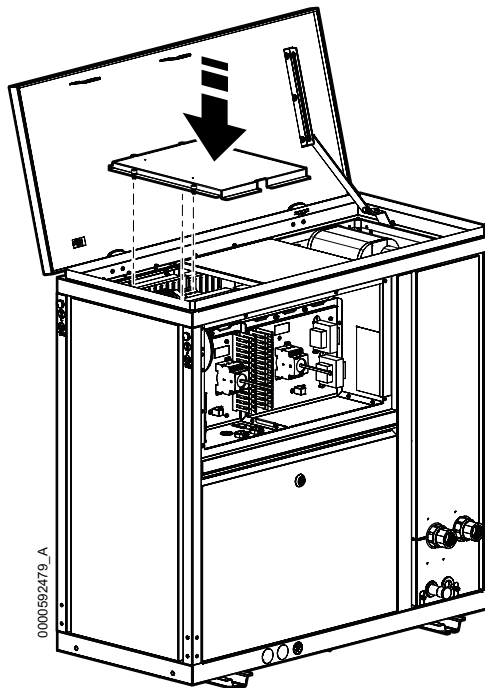
**NOTE:** The cables are located in the wiring duct.



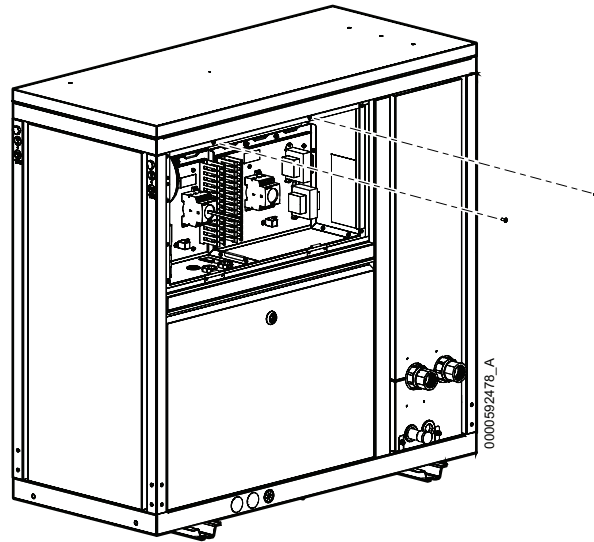
8. Add ATS top panel and fix the captive screws.



9. Install the electrical box top panel.

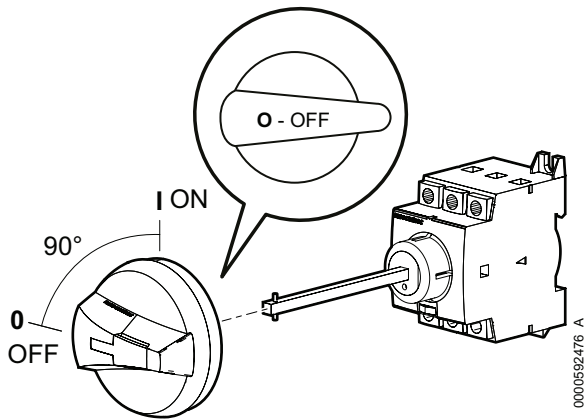
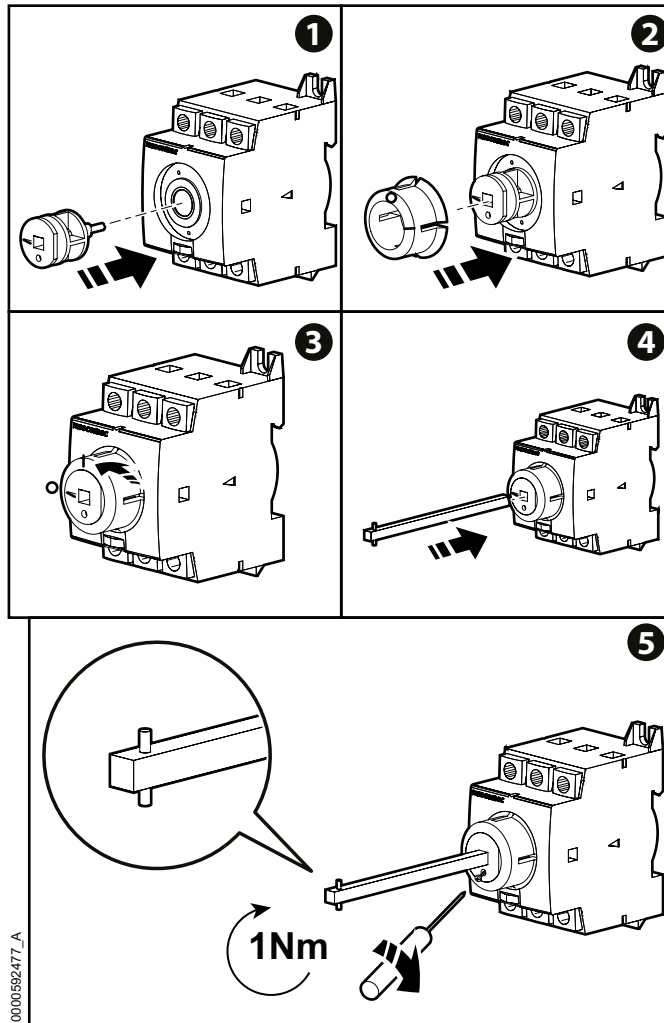


10. Close the panel and fix again the two M5x12 PHIL® screw.





11. Install the enclosed switch shaft as shown in the pictures below.



12. Open the bottom front panel.



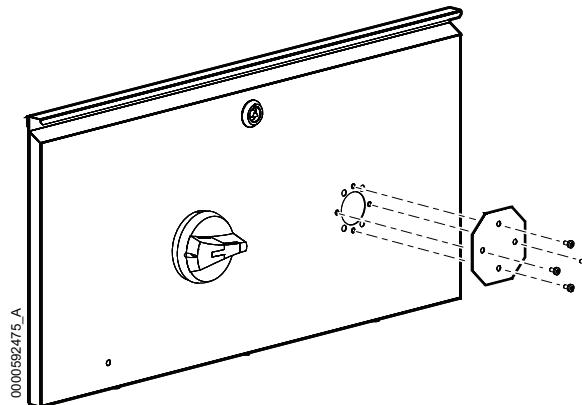
See the “Panel Removal” section of the unit *Installation Manual* for instructions on removing.

13. Plug in customer cable and connect to the ATS switch.

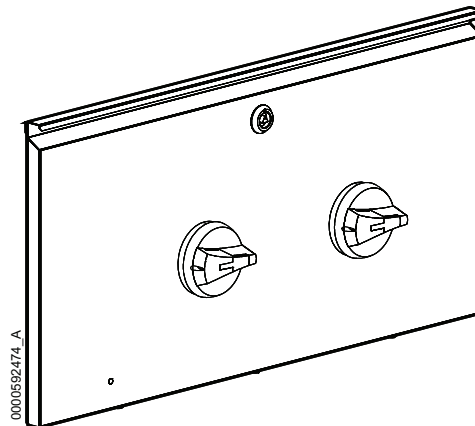


See the “Electrical Connections” section of the unit *Installation Manual* for instructions on routing and connecting customer cables.

14. Remove the octagonal small panel by removing the four M4x8 TORX® screw, then scrap it all.



15. Add the external switch handle in the same location.



16. Reinstall the electrical panel.