

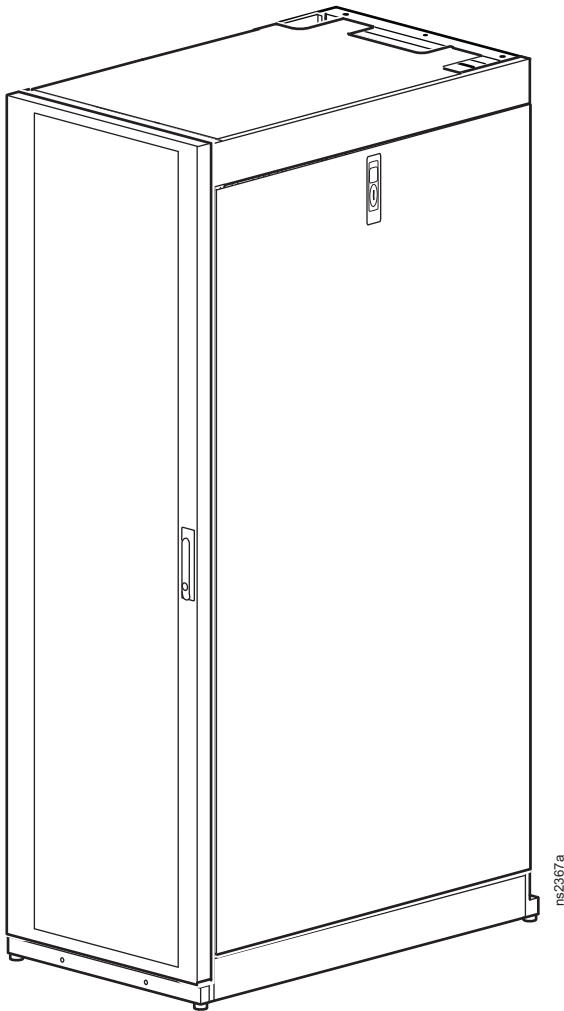
Installation Manual

NetShelter™ VX 42U Seismic Cabinet

AR2144BLK, AR2145BLK

990-1145B-001

Publication Date: 06/2020



APC™

by Schneider Electric

APC by Schneider Electric Legal Disclaimer

The information presented in this manual is not warranted by APC by Schneider Electric to be authoritative, error free, or complete. This publication is not meant to be a substitute for a detailed operational and site specific development plan. Therefore, APC by Schneider Electric assumes no liability for damages, violations of codes, improper installation, system failures, or any other problems that could arise based on the use of this Publication.

The information contained in this Publication is provided as is and has been prepared solely for the purpose of evaluating data center design and construction. This Publication has been compiled in good faith by APC by Schneider Electric. However, no representation is made or warranty given, either express or implied, as to the completeness or accuracy of the information this Publication contains.

IN NO EVENT SHALL APC BY SCHNEIDER ELECTRIC, OR ANY PARENT, AFFILIATE OR SUBSIDIARY COMPANY OF APC BY SCHNEIDER ELECTRIC OR THEIR RESPECTIVE OFFICERS, DIRECTORS, OR EMPLOYEES BE LIABLE FOR ANY DIRECT, INDIRECT, CONSEQUENTIAL, PUNITIVE, SPECIAL, OR INCIDENTAL DAMAGES (INCLUDING, WITHOUT LIMITATION, DAMAGES FOR LOSS OF BUSINESS, CONTRACT, REVENUE, DATA, INFORMATION, OR BUSINESS INTERRUPTION) RESULTING FROM, ARISING OUT, OR IN CONNECTION WITH THE USE OF, OR INABILITY TO USE THIS PUBLICATION OR THE CONTENT, EVEN IF APC BY SCHNEIDER ELECTRIC HAS BEEN EXPRESSLY ADVISED OF THE POSSIBILITY OF SUCH DAMAGES. APC BY SCHNEIDER ELECTRIC RESERVES THE RIGHT TO MAKE CHANGES OR UPDATES WITH RESPECT TO OR IN THE CONTENT OF THE PUBLICATION OR THE FORMAT THEREOF AT ANY TIME WITHOUT NOTICE.

Copyright, intellectual, and all other proprietary rights in the content (including but not limited to software, audio, video, text, and photographs) rests with APC by Schneider Electric or its licensors. All rights in the content not expressly granted herein are reserved. No rights of any kind are licensed or assigned or shall otherwise pass to persons accessing this information.

This Publication shall not be for resale in whole or in part.

Contents

- Important Safety Information 1**
 - Please Note 1
 - Safety Information for the VX Seismic Cabinet 2

- Overview 3**
 - Receiving the Cabinet. 3
 - Configuration. 4
 - Unpack the Cabinet. 4
 - Cabinet Packaging 4
 - Tools Required (not provided) 4
 - Please Recycle 5
 - Disclaimer 5
 - Take Inventory 5
 - Unpacking Sequence 5

- Component Identification 6**
 - Hardware 7
 - Location of keys and Mounting Hardware 7

- Cabinet Installation 8**
 - Secure the Cabinet 8
 - Grounding the Cabinet 9
 - Side Panels 13
 - Remove 13
 - Install 14
 - Remove the Roof. 14

Reverse the Front Door	15
Remove the Hinge Pin, Bumper, and Latch Brackets	16
Install the Hinge Pin Brackets	17
Install the Latch Plate and Bumpers	17
Install the Door Assembly	18

Equipment Installation 19

How to Identify a U space on a Mounting Rail or Frame Post	19
---	-----------

Cage Nuts	20
Installation	20
Removal	20

Cable Management	21
Cable Access Openings	21
Remove the Skirts	21

Vertical Mounting Rails	22
Mounting Rail Screws	22
Adjust the Mounting Rails	22

Horizontal Braces	23
Move a Brace	23

Specifications 24

Five-Year Factory Warranty 25

Terms of warranty	25
Non-transferable warranty	25
Exclusions	25
Warranty claims	26

Important Safety Information

Read the instructions carefully to become familiar with the equipment before trying to install, operate, service or maintain it. The following messages may appear throughout this manual or on the equipment to warn of potential hazards or to call attention to information that clarifies or simplifies a procedure.



The addition of this symbol to a Danger or Warning safety label indicates that an electrical hazard exists which will result in personal injury if the instructions are not followed.



This is the safety alert symbol. It is used to alert you to potential personal injury hazards. Obey all safety messages that follow this symbol to avoid possible injury or death.

DANGER

DANGER indicates an imminently hazardous situation which, if not avoided, **will result in death** or serious injury.

WARNING

WARNING indicates a potentially hazardous situation which, if not avoided, **can result in death** or serious injury.

CAUTION

CAUTION indicates a potentially hazardous situation which, if not avoided, **can result in minor** or moderate injury.

NOTICE

NOTICE addresses practices not related to physical injury including certain environmental hazards, potential damage or loss of data.

Please Note

Electrical equipment should be installed, operated, serviced, and maintained only by qualified personnel. No responsibility is assumed by APC by Schneider Electric for any consequences arising out of the use of this material.

A qualified person is one who has skills and knowledge related to the construction, installation, and operation of electrical equipment and has received safety training to recognize and avoid the hazards involved.

Safety Information for the VX Seismic Cabinet

WARNING

WEIGHT/TIP HAZARD

- Use only qualified personnel to install the cabinet.
- Use at least three (3) people to unpack and assemble the cabinet.
- Secure the cabinet to the floor in its permanent location before loading equipment.
- Secure the cabinet to the floor before installing the components.
- Do NOT extend more than one component from a populated cabinet at a time.
- Load the heaviest components first and place them toward the bottom of the cabinet.
- The panels are heavy. Have one person support the side panel while another releases the side panel from its frame.

Failure to follow these instructions can result in death, serious injury, or equipment damage.

Overview

The APC by Schneider Electric VX Seismic Cabinet is a high-quality cabinet for storage of industry-standard (EIA-310) 19 in. rack-mount hardware, which includes servers, voice, data, networking, inter networking, and power protection equipment.

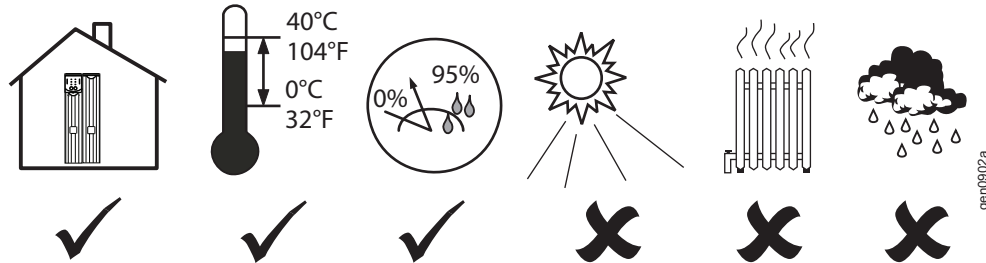
The NetShelter models listed below are certified for 1000 lb to NEBS GR-63-CORE zone 4 standards.

Model	Rack Mounting Height	Rack Mounting Width	External Cabinet Width	Description
AR2144BLK	42U [†]	EIA 19 in.	600mm	Cabinet with sides
AR2145BLK	42U	EIA 19 in.	600mm	Cabinet without sides

[†] One U = 1.75 in. (4.44 cm)

Receiving the Cabinet

Upon receipt, inspect the cabinet and contents for damage. Verify the contents are complete.



APC by Schneider Electric is not responsible for damage sustained during shipment of this product. Report damage to the shipper immediately and contact APC by Schneider Electric at www.apc.com or your APC by Schneider Electric reseller. Keep all packaging material for inspection if damage is found.

Configuration

⚠ CAUTION

TIP HAZARD

Secure the cabinet to the floor in its permanent location before loading equipment.
Failure to follow these instructions can result in injury or equipment damage.

NOTICE

IMPROPER AIRFLOW

Cover any empty vertical cabinet space with optional blanking panels (AR8101BLK for 19 in. equipment mounting, not included).
Failure to follow these instructions can result in equipment damage.

Use blanking panels to maintain proper airflow. Improper airflow may damage installed components.

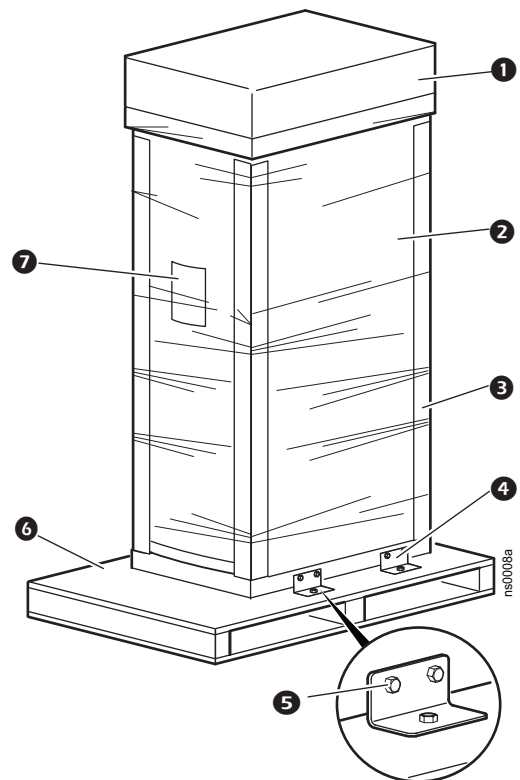
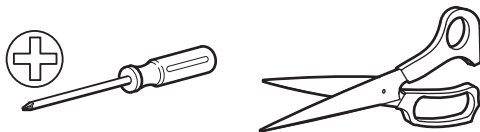
Before installing your cabinet, plan the location of the equipment to be installed. Consider the space needed by equipment and ergonomics of keyboards and video monitors.

Unpack the Cabinet

Cabinet Packaging

- | | |
|-------------------------------|---|
| 1 Cardboard top cover | 5 M8 bolts |
| 2 Stretch wrap | 6 Shipping pallet |
| 3 Cardboard corner protectors | 7 Pouch containing the 13 mm/ 14 mm open-ended wrench, the user manual, warranty card, and literature |
| 4 Pallet brackets | |

Tools Required (not provided)



Please Recycle

The shipping materials are recyclable. Save them for later use, or dispose of them appropriately.

Disclaimer

APC by Schneider Electric is not responsible for damage sustained during reshipment of this product.

Take Inventory

After unpacking the cabinet, verify that all required components and hardware have been shipped with the cabinet. See “Component Identification” on page 6 for a list of components. If any items are missing, contact APC by Schneider Electric Customer Support at www.apc.com/support.

Unpacking Sequence

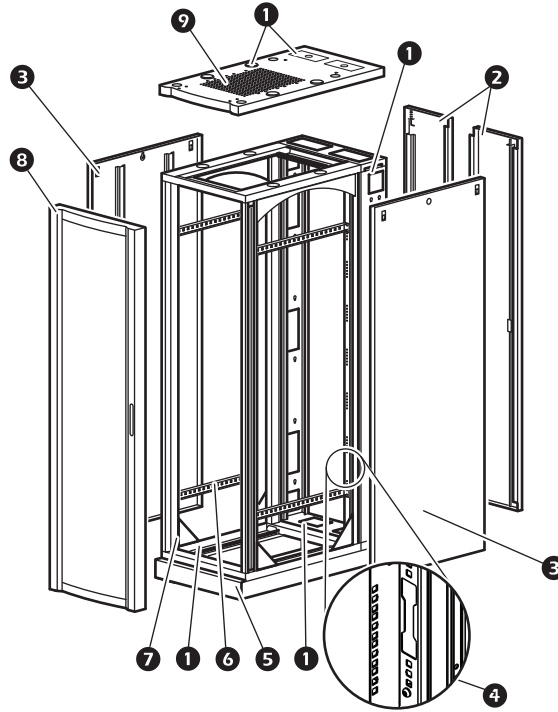
⚠ WARNING
WEIGHT/TIP HAZARD <ul style="list-style-type: none">• Use at least three people to unpack and assemble the cabinet.• Secure the cabinet to the floor before installing the components.• Do NOT extend more than one component from a populated cabinet at a time.• Load the heaviest components first and place them toward the bottom of the cabinet. Failure to follow these instructions can result in death, serious injury, or equipment damage.

Move the shipping pallet to a firm, level surface in an open area. Inspect the cabinet for visible signs of shipping damage. Report damage immediately to the shipping company and contact APC by Schneider Electric Customer Support at the number listed on the yellow sticker on the front of the cabinet.

1. Remove the open-ended wrench from the pouch on the front of the packaging.
2. Refer to the label on the packaging to determine where to cut the wrapping. Using heavy-duty shears or a utility knife, carefully remove the plastic stretch-wrap surrounding the cabinet.
3. Remove the cardboard cover and the four cardboard corner protectors.
4. Remove the four brackets anchoring the cabinet to the shipping pallet. Use the 13 mm end of the open-ended wrench, obtained in step 1, to remove the M8 bolts securing the brackets to the pallet.
5. With one person on each side of the cabinet, carefully slide it toward the rear of the pallet. The pallet will tip as it is moved to the rear of the pallet. Continue to slide the cabinet rearward until the rear edge makes contact with the floor.
6. While two people carefully tip the cabinet slightly away from the pallet, have the third person pull the pallet away from the cabinet.

NOTE: Save the pallet, mounting brackets, and bolts if you plan to reship the cabinet.

Component Identification



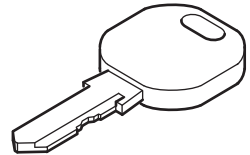
Features	
Cable access	Access on roof, sides, and base 1
Doors	<ul style="list-style-type: none"> • Ventilated split rear door for added access in narrow aisles 2 • Quick-release, ventilated, reversible front door 8 • Front and rear door locks
Side panels	Side panels with locks 3 (AR2144BLK only)
Frame	<ul style="list-style-type: none"> • 42U (73.5in.) of storage height for 19 in. rack-mount equipment • Adjustable vertical mounting rails 4 and horizontal braces 6 • Front and rear skirt 5 • Frame posts 7 • Ground studs on all panels and main structure
Roof	Ventilated roof 9

Hardware

Item	AR2144BLK	AR2145BLK
Mounting hardware		
M6 × 16 mm Phillips/slotted screws	60	60
Cage nut installation tool	1	1
M6 cage nuts	60	60
Plastic cup washers	60	60
Open-ended wrench (13 mm/14mm)	1	1
M5 Allen wrench	1	1
Door/side panel keys	2	2
Grommets/covers (included in bag)		
4 × 4" grommets	2	4
4 × 8" grommets	3	6
4 × 4" cover	4	4

Location of keys and Mounting Hardware

1. The keys are inside the cabinet, fastened to the front left, vertical, side-facing mounting rail.
2. The bag containing the mounting hardware is fastened to the floor of the cabinet.



Cabinet Installation

⚠ WARNING

WEIGHT/TIP HAZARD

- Use only qualified personnel to install the cabinet.
- Use at least three people to unpack and assemble the cabinet.
- Secure the cabinet to the floor in its permanent location before loading equipment.
- Secure the cabinet to the floor before installing the components.

Failure to follow these instructions can result in death, serious injury, or equipment damage.

Secure the Cabinet

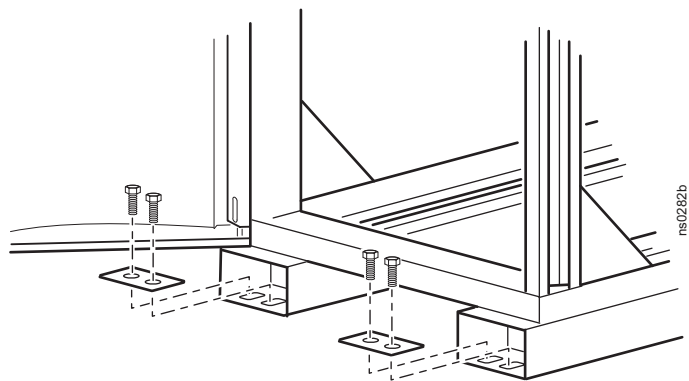
For seismic stability, the NetShelter VX Seismic Cabinet must be bolted to the floor. Install proper anchoring hardware before starting this procedure.

Tools and Hardware Required.

Qty	Item
4	Bolt plates (included)
8	M12 or ½ in. bolts (not included)
1	Adjustable wrench (not included)
1	Torque wrench (not included)

Bolt the Cabinet to the floor.

1. Remove the front and rear skirts on the cabinet. (See “Remove the Skirts” on page 21.)
2. Insert two bolts through each plate and the holes in the plinth, using the bolt plate (included). Screw the bolts into the pre-installed anchoring hardware in the floor.
3. Tighten the bolts to 60 lb-ft (81 N•m) using a torque wrench.



Grounding the Cabinet

⚠ ⚠ DANGER

HAZARD OF ELECTRIC SHOCK

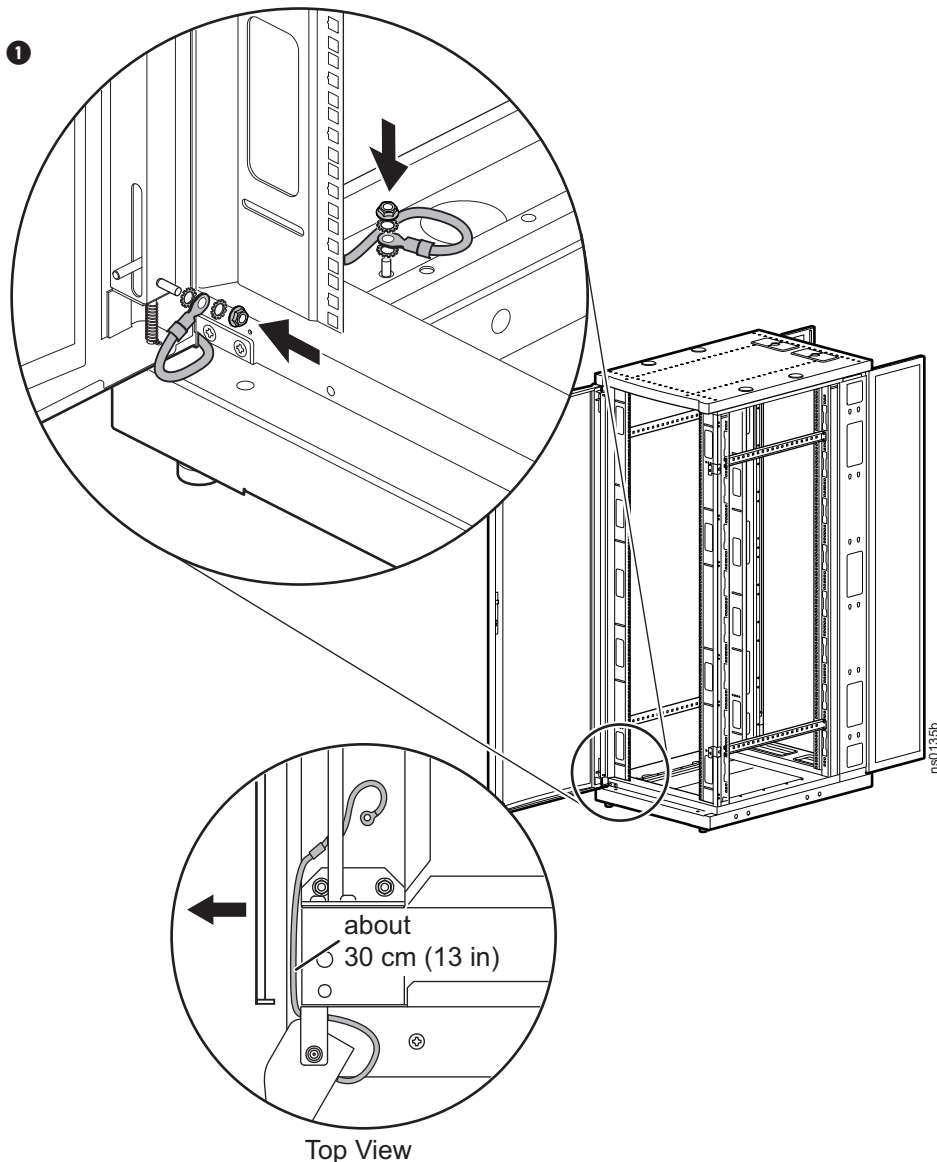
Use a digital multimeter or continuity testing device to ensure all metal parts are properly bonded and are at the same potential.

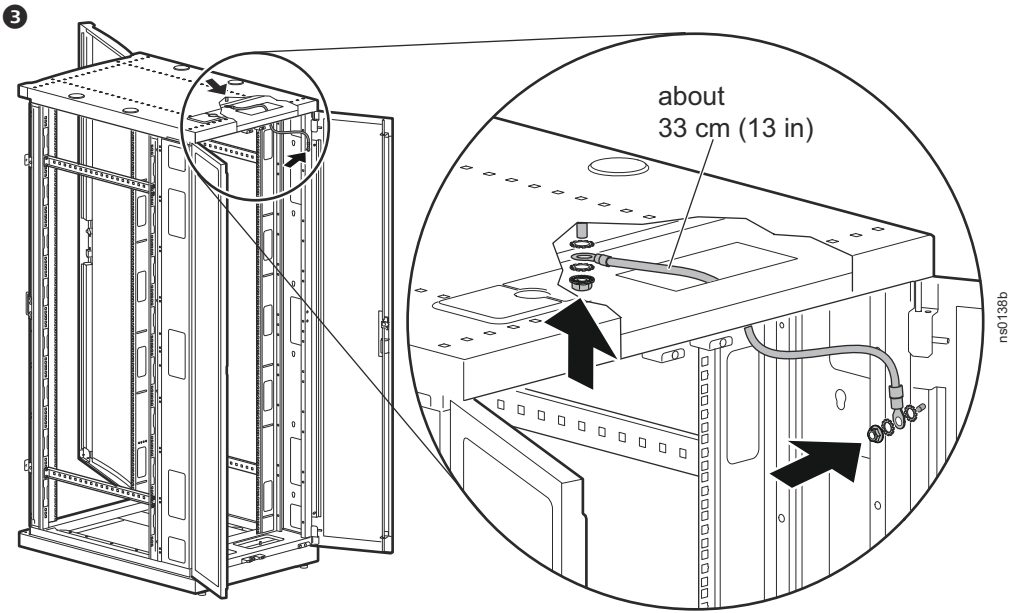
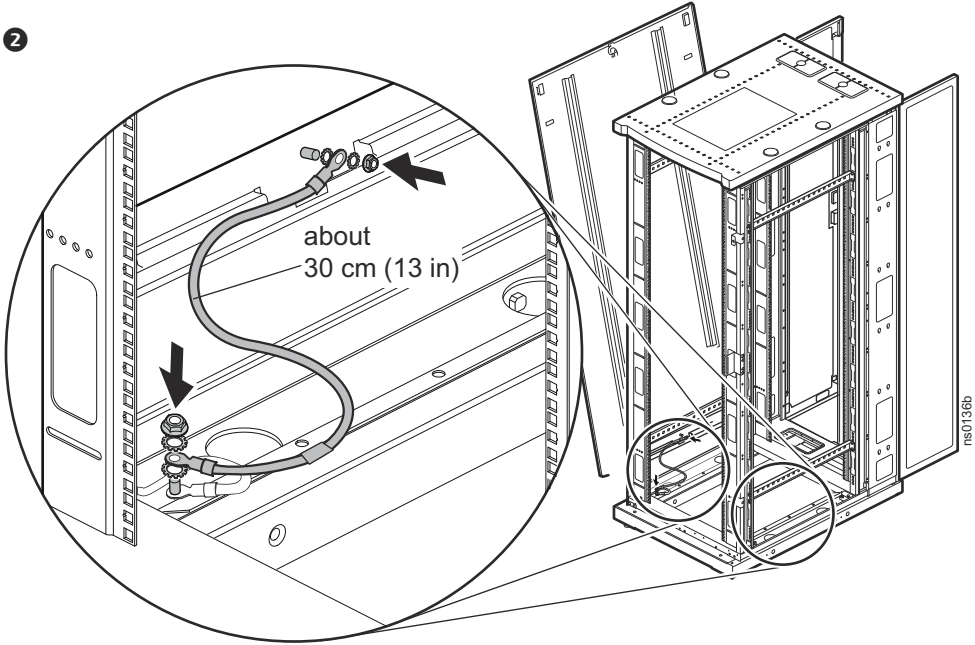
Failure to follow these instructions will result in death or serious injury.

There are 22 M6 grounding studs on the cabinet, located on the doors, the roof, the side panels, and the frame.

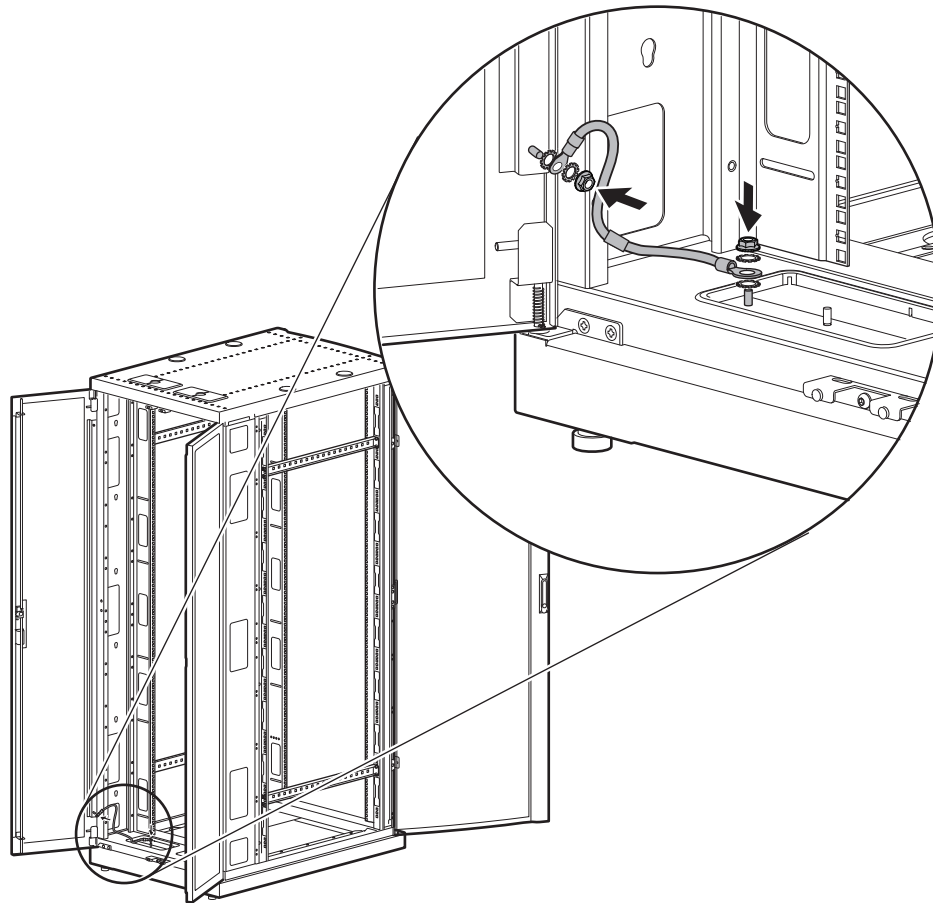
It is recommended that you ground the side panels, ceiling, and doors to the cabinet frame and connect the cabinet to the data center ground. Use a bonding kit with 12 AWG wire and ring connectors. Insert paint-piercing washers between grounding studs, connectors, and nuts.

# of studs	Location
12	Base
1	Rear cabling channel
1	Roof
2	Front door
4	Rear doors
2	Side panels (AR2144BLK only)

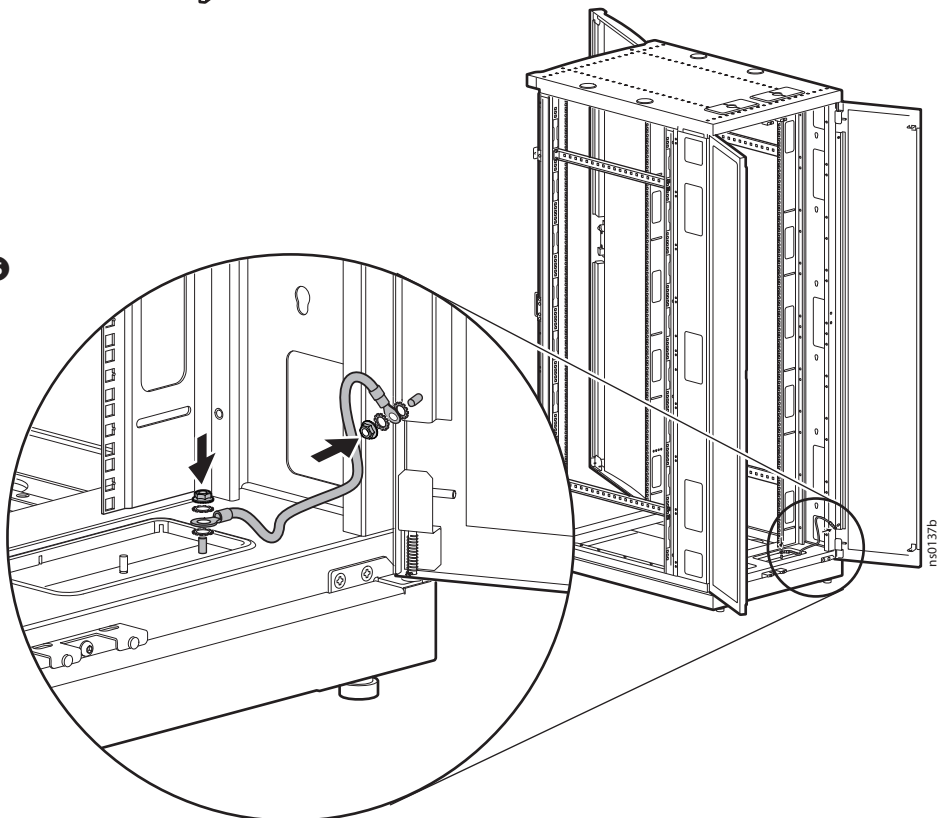




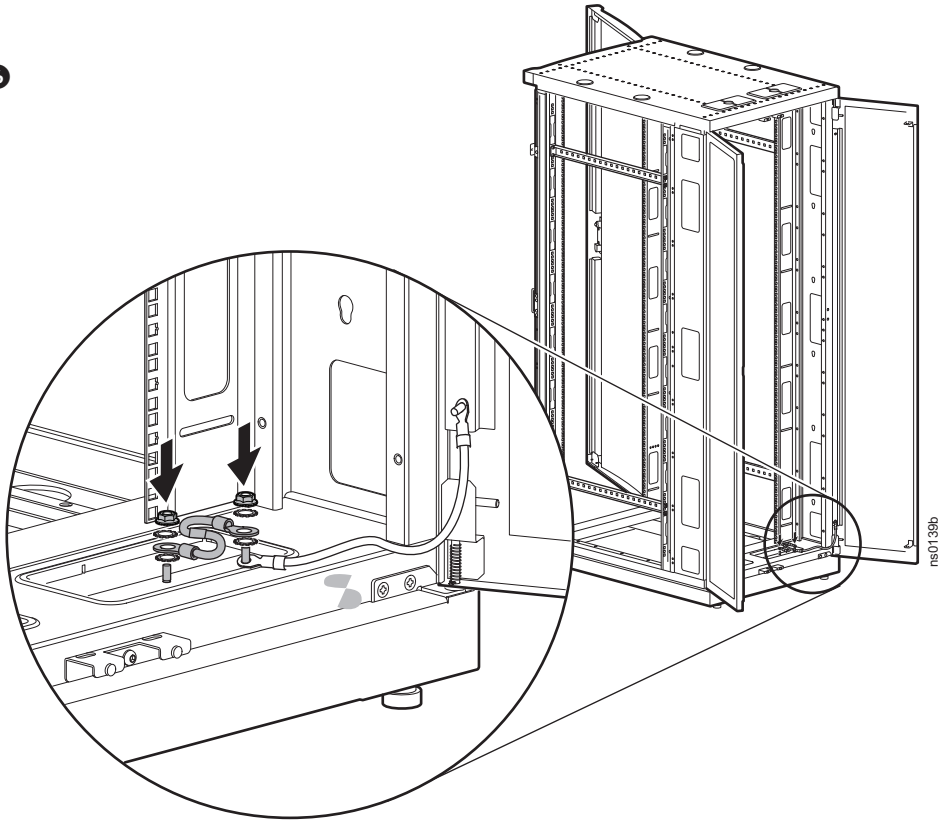
4



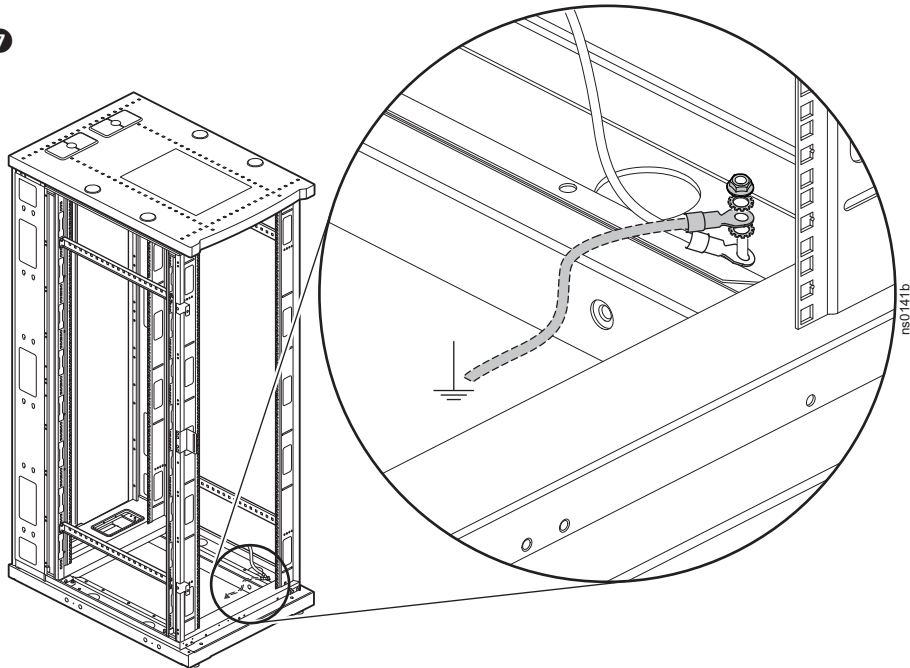
5



6



7



Side Panels

⚠ CAUTION

HEAVY EQUIPMENT

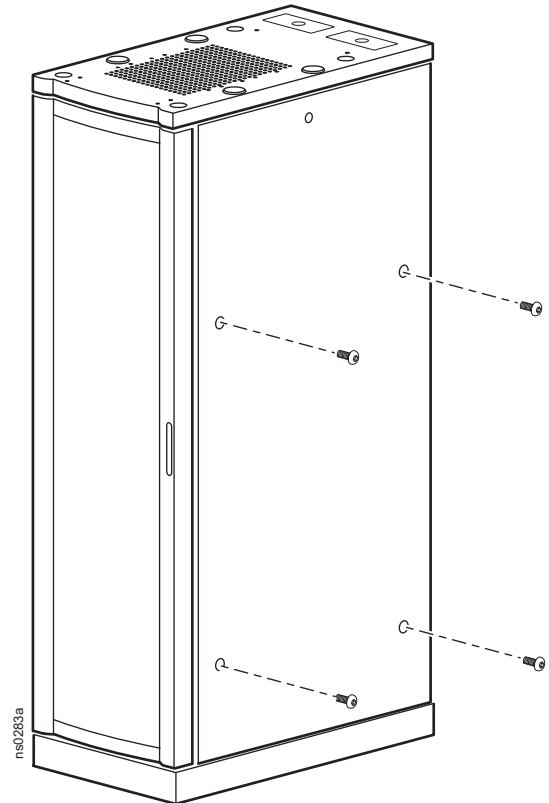
The panels are heavy. Have one person support the side panel while another releases the side panel from its frame.

Failure to follow these instructions can result in injury or equipment damage.

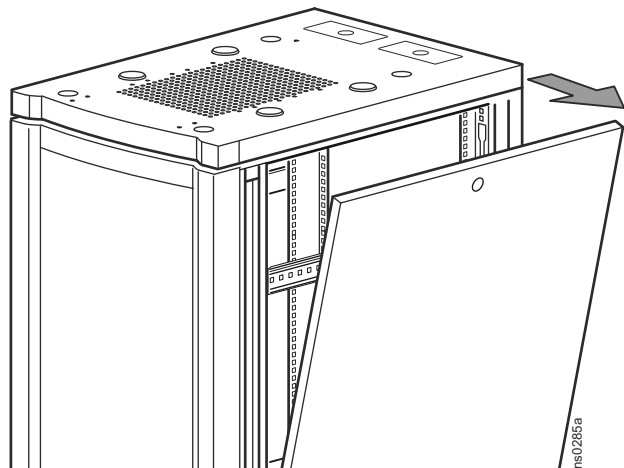
Remove

Remove the side panels for access to the interior.

1. Use the key to lock the panel, if necessary.
2. Unscrew all four screws holding the panel, starting from the bottom and working up.
3. Use the key to unlock the panel.



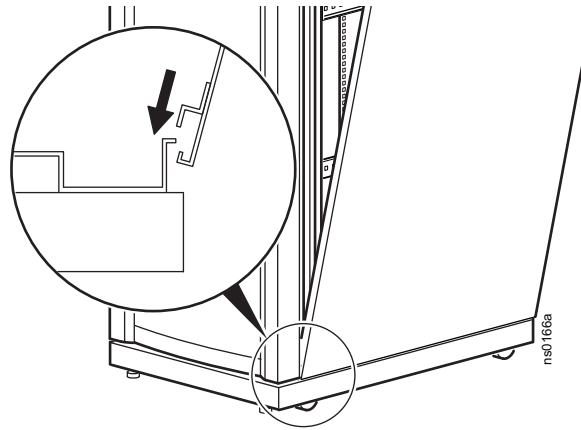
4. Tip the top of the panel away from the cabinet.
5. Lift the panel up and off the narrow horizontal lip at the bottom of the cabinet frame.



Install

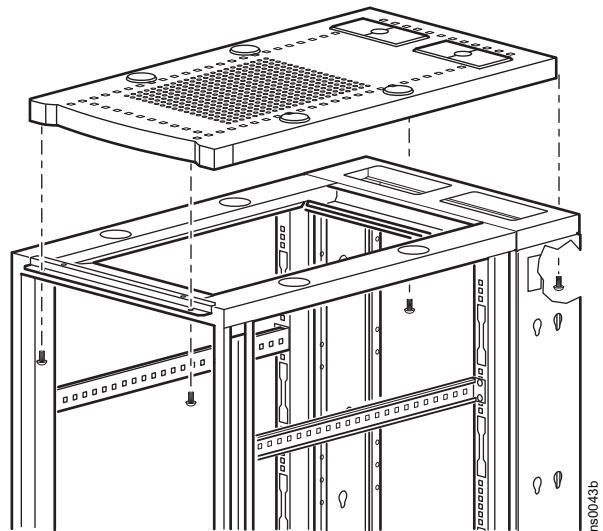
1. Engage the bottom of the panel securely with the lip before pushing the top of the panel forward into place.
2. Use the key to lock the panel.
3. Replace the screws, working from top to bottom.

NOTE: When installing the side panels on an extension cabinet, be sure to remove the plastic grommets from the rear, side-facing, cable-access openings on the rear cabling channel.



Remove the Roof

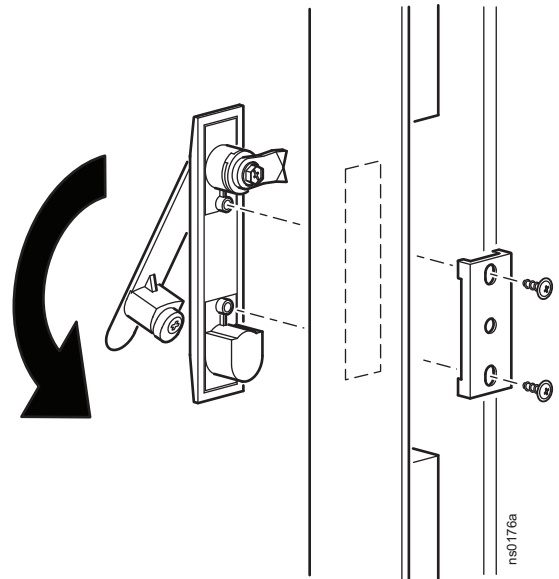
To remove the roof from the cabinet, remove the four hex-head screws from the inside corners. Use the 5 mm hex wrench (provided).



Reverse the Front Door

You can reverse or remove the front door to accommodate your site configuration. This section shows how to remove and reverse the door on your cabinet.

1. Remove both side panels. See "Remove" on page 13.
2. Remove the two Phillips screws from the rear of the door handle assembly and remove the handle assembly from the door.
3. Rotate the door handle assembly 180° and reinstall it, using the hardware removed in step 2.



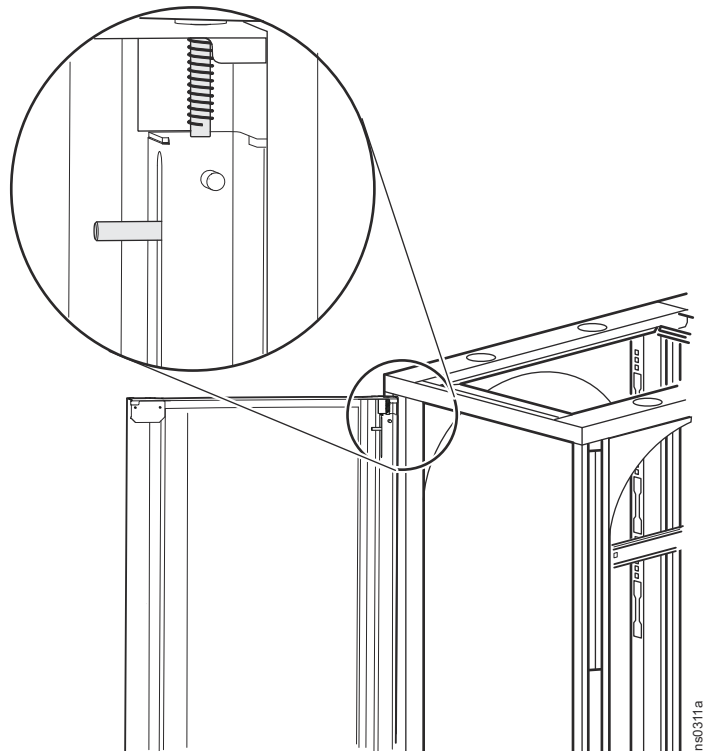
⚠ CAUTION

HEAVY EQUIPMENT

At least two people are required to perform this task. Have one person support the door while another removes the door from its frame.

Failure to follow these instructions can result in injury or equipment damage.

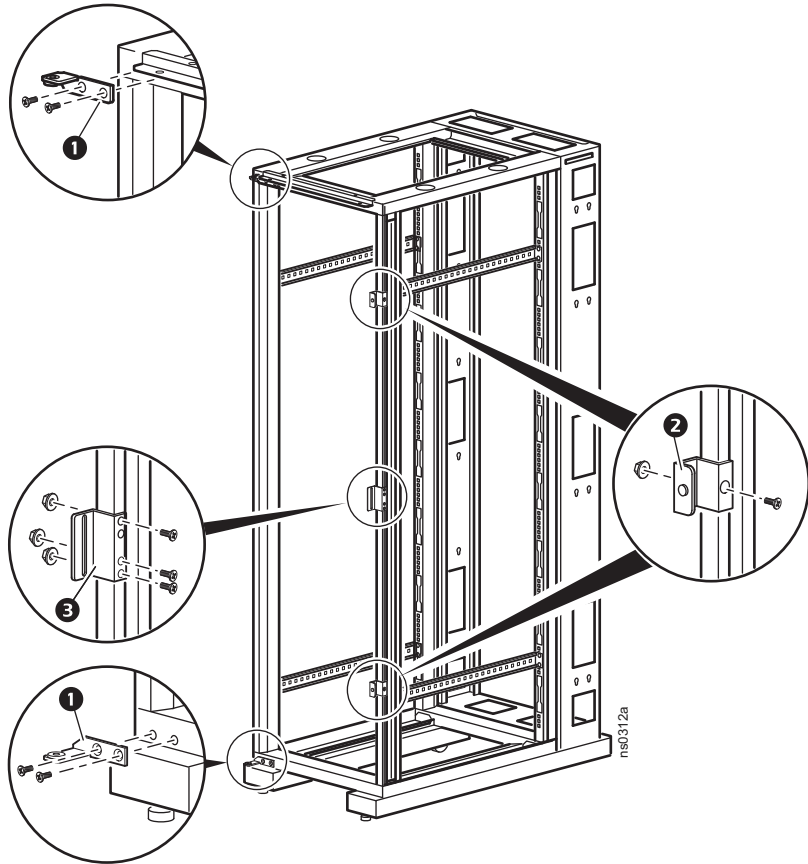
4. Open the door and pull down on the spring-loaded hinge pin attached to the top of the door. Lift the door from its frame and set it safely aside.



Remove the Hinge Pin, Bumper, and Latch Brackets

NOTE: Remember the location of and distance between all items being removed. You will need to duplicate this positioning when reinstalling.

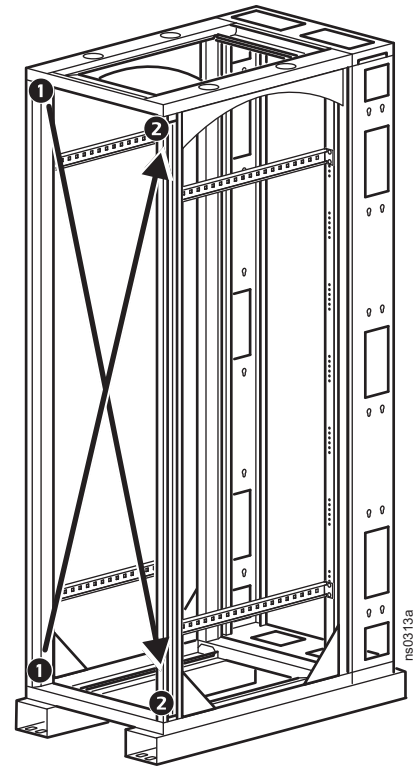
Use a Phillips head screwdriver (not included) to remove the hinge pin brackets **1**, bumper brackets **2**, and latch bracket **3** from the cabinet frame.



Install the Hinge Pin Brackets

Install the hinge pin brackets on the opposite side of the cabinet.

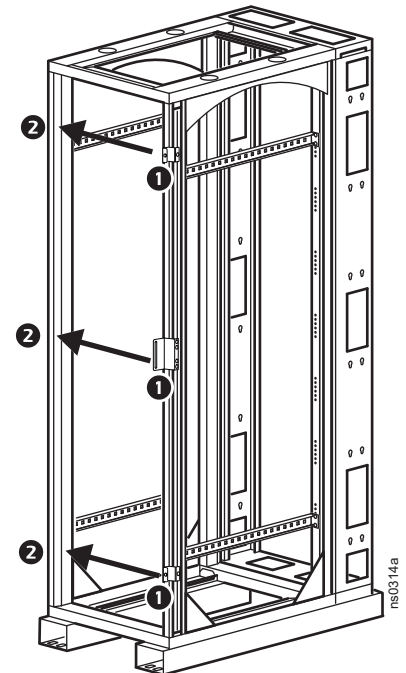
- a. Remove the small plastic plugs covering the insertion holes in the base and the top of the cabinet frame. Reinstall them in the holes on the opposite side of the cabinet.
- b. Relocate the two hinge pin brackets from their original position ❶ to their new position ❷. Secure by tightening the screws.



Install the Latch Plate and Bumpers

Relocate the latch bracket and the two door bumper brackets from their original position ❶ to their new position ❷.

NOTE: Be sure to maintain the original spacing between the latch plate and bumpers, as well as their vertical relationship with the cabinet frame.



Install the Door Assembly

⚠ CAUTION

HEAVY EQUIPMENT

Have one person support the door while another person places the door in its frame.

Failure to follow these instructions can result in injury or equipment damage.

1. Loosely tighten the hinge pin brackets.
2. Reinstall the door assembly.
 - a. Align the lower door hinge pin with the hole in the bottom of the hinge pin bracket and slide the hinge pin into the hole.
 - b. Pull down the upper hinge pin.
 - c. Align the upper hinge pin with hole in the upper hinge pin bracket and release the hinge pin into the hole.
 - d. Make sure that the door opens and closes properly.
3. Firmly tighten the countersunk screws to secure the hinge pin brackets to the cabinet frame.

If using the Base model, reinstall the side panels.

Equipment Installation

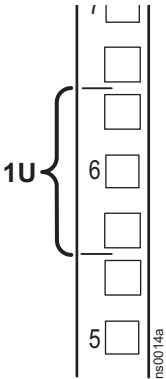
⚠ WARNING
WEIGHT/TIP HAZARD <ul style="list-style-type: none">• Secure the cabinet to the floor in its permanent location before loading equipment.• Secure the cabinet to the floor before installing the components.• Load the heaviest components first and place them toward the bottom of the cabinet. Failure to follow these instructions can result in death, serious injury, or equipment damage.

NOTE: NetShelter VX cabinets are intended for use with listed equipment. If you install anything other than listed equipment, fully evaluate the safety of your configuration.

This section provides general information on installing rack-mount equipment in the cabinet. Read the documentation provided with the equipment you are installing for more specific instructions.

How to Identify a U space on a Mounting Rail or Frame Post

One U space consists of three square holes. Each U space, or position, is marked with a number and separated by horizontal lines.



Cage Nuts

If needed, APC by Schneider Electric offers a cage nut hardware kit (AR8100) for use with square holes.

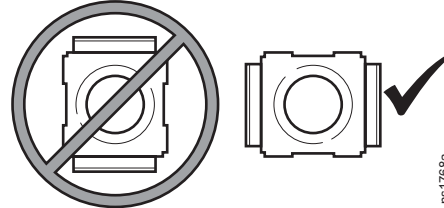
⚠ CAUTION

FALLING EQUIPMENT HAZARD

Do NOT install cage nuts vertically with the ears engaging the top and bottom of the square hole.

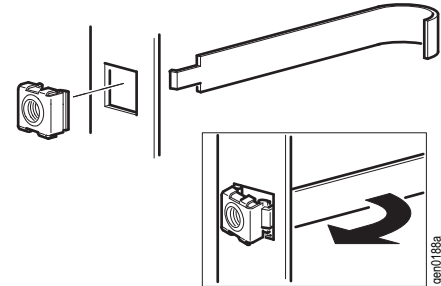
Failure to follow these instructions can result in minor or moderate injury.

- Install cage nuts horizontally, with the ears engaging the sides of the square hole.
- Install the cage nuts on the interior of the vertical mounting rail.



Installation

1. From inside of the cabinet, insert the cage nut into the square hole. Hook one ear of the cage nut assembly through the far side of the hole.
2. Place the cage nut tool on the other side of the cage nut and pull to snap into position.



Removal

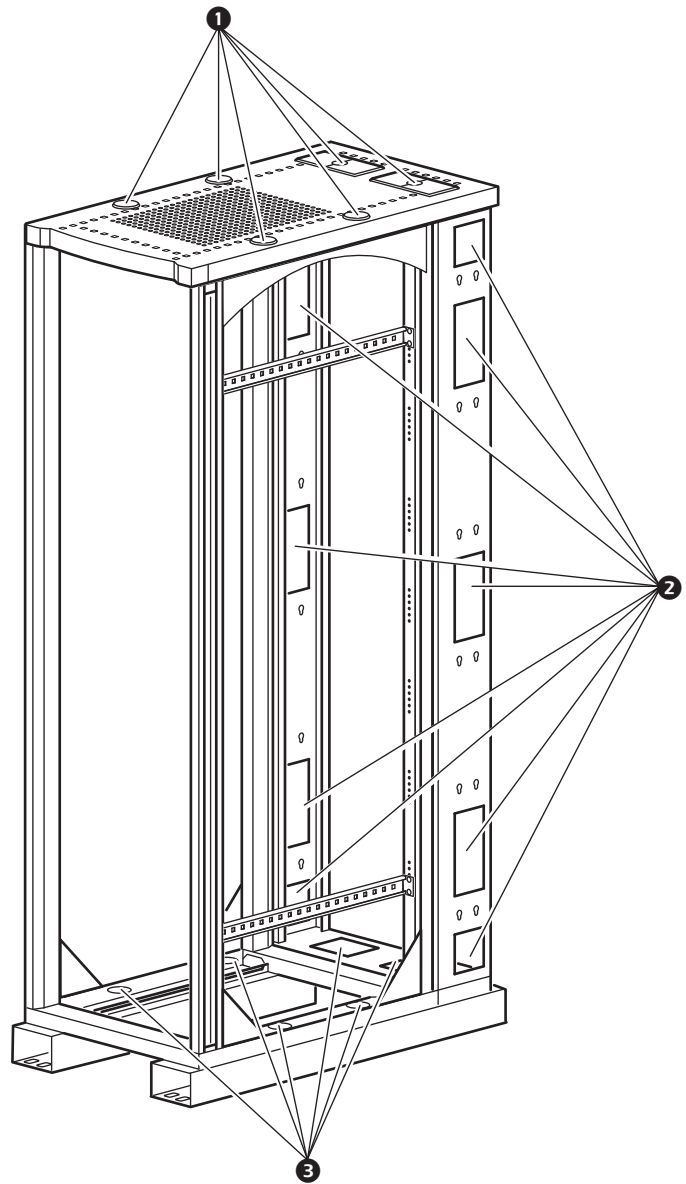
1. Remove any attached screw.
2. Grasp the cage nut and squeeze the sides to release it from the square hole.

Cable Management

Cable Access Openings

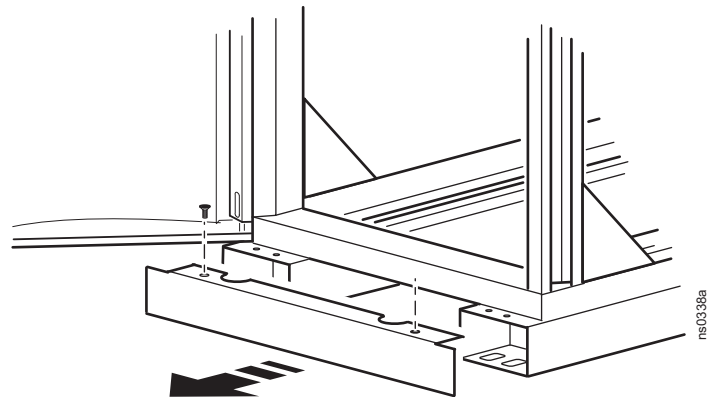
There are cable access openings in the roof **1**, sides **2**, and base **3** of the cabinet. The rear cabling channel on the back of the cabinet provides clearance for wiring between the doors and the mounting rails. It is recommended to use the clearance between the rear mounting rails and rear door for routing data and power cables—data on one side, and power on the other side.

Before routing wires through the side access holes on the cabinet with side panels, ensure the protective grommets (included) are installed into the cable access openings.



Remove the Skirts

For additional cable access, you can remove the skirts at the front and rear of the cabinet by removing the two countersunk screws in each skirt.

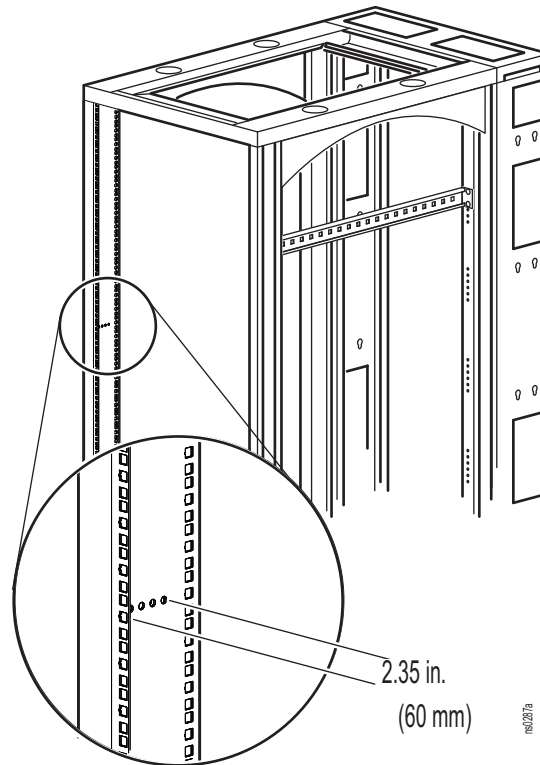


Vertical Mounting Rails

The vertical mounting rails are factory-installed in the proper position for use with rack-mountable equipment that has a depth of 29.13 in. (740 mm). You can adjust the rails to the front or rear a total of 2.35 in. (60mm) to accommodate different rails or equipment with various depths. The following sections describe the procedures for adjusting the position of the mounting rails and for moving them within the cabinet.

Mounting Rail Screws

The location of the screws that govern the position of the mounting rails is shown below.



Adjust the Mounting Rails

⚠ CAUTION

FALLING EQUIPMENT

NEVER perform this procedure with equipment installed on the vertical mounting rails.
Failure to follow these instructions can result in injury or equipment damage.

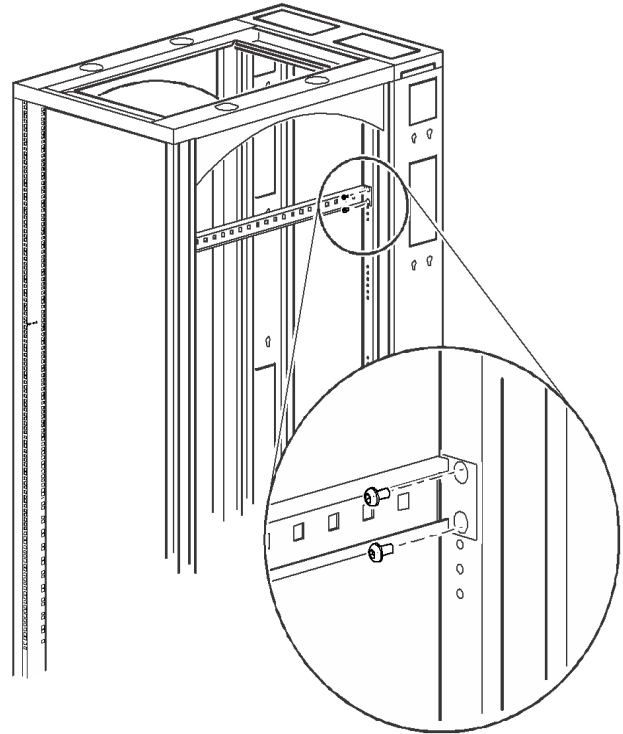
1. Use the 5 mm Allen wrench (included) to remove the socket-head screws from the hole in the vertical mounting rail.
2. Slide the vertical mounting rail forward or rearward as desired. Insert the screws into the appropriate holes. Tighten each screw.

Horizontal Braces

Each side of the enclosure has adjustable horizontal braces between the vertical frame posts to support the vertical mounting rails and manage cables.

Move a Brace

1. Use the 5 mm hex wrench (provided) to remove the four hex-head screws that hold the brace to the frame posts.
2. Locate the new position for the brace and secure the brace to the frame posts.
3. Place the brace at the new position. Insert a socket-head screw through the brace and frame post and tighten.



Specifications

	AR2144BLK	AR2145BLK
Item	Measurement	
Height	81.5 in. (207 cm)	
Width	23.5 in. (59.6 cm)	23.0 in. (58.5 cm)
Depth	42.2 in. (107.4 cm)	
Net weight	545 lb (162.8 kg)	458 lb (127.9 kg)
Ventilation (front door)	1384 in. ² (8929 cm ²)	
Ventilation (rear door)	791.3 in. ² (5105.5 cm ²)	
Ventilation (roof)	156 in. ² (1006 cm ²)	
Clearance (for wiring between front door and vertical rail)	3.27 in. (8.31 cm)	

Five-Year Factory Warranty

The limited warranty provided by APC by Schneider Electric in this Statement of Limited Factory Warranty applies only to products you purchase for your commercial or industrial use in the ordinary course of your business.

Terms of warranty

APC by Schneider Electric warrants its products to be free from defects in materials and workmanship for a period of five years from the date of purchase. The obligation of APC by Schneider Electric under this warranty is limited to repairing or replacing, at its sole discretion, any such defective products. This warranty does not apply to equipment that has been damaged by accident, negligence, or misapplication or has been altered or modified in any way. Repair or replacement of a defective product or part thereof does not extend the original warranty period. Any parts furnished under this warranty may be new or factory- remanufactured.

Non-transferable warranty

This warranty extends only to the original purchaser who must have properly registered the product. The product may be registered at the APC by Schneider Electric Web site, www.apc.com.

Exclusions

APC by Schneider Electric shall not be liable under the warranty if its testing and examination disclose that the alleged defect in the product does not exist or was caused by end user's or any third person's misuse, negligence, improper installation or testing. Further, APC by Schneider Electric shall not be liable under the warranty for unauthorized attempts to repair or modify wrong or inadequate electrical voltage or connection, inappropriate on-site operation conditions, corrosive atmosphere, repair, installation, start-up by non-APC by Schneider Electric designated personnel, a change in location or operating use, exposure to the elements, Acts of God, fire, theft, or installation contrary to APC by Schneider Electric recommendations or specifications or in any event if the APC by Schneider Electric serial number has been altered, defaced, or removed, or any other cause beyond the range of the intended use.

THERE ARE NO WARRANTIES, EXPRESS OR IMPLIED, BY OPERATION OF LAW OR OTHERWISE, OF PRODUCTS SOLD, SERVICED OR FURNISHED UNDER THIS AGREEMENT OR IN CONNECTION HEREWITH. APC BY SCHNEIDER ELECTRIC DISCLAIMS ALL IMPLIED WARRANTIES OF MERCHANTABILITY, SATISFACTION AND FITNESS FOR A PARTICULAR PURPOSE. APC BY SCHNEIDER ELECTRIC EXPRESS WARRANTIES WILL NOT BE ENLARGED, DIMINISHED, OR AFFECTED BY AND NO OBLIGATION OR LIABILITY WILL ARISE OUT OF, APC BY SCHNEIDER ELECTRIC RENDERING OF TECHNICAL OR OTHER ADVICE OR SERVICE IN CONNECTION WITH THE PRODUCTS. THE FOREGOING WARRANTIES AND REMEDIES ARE EXCLUSIVE AND IN LIEU OF ALL OTHER WARRANTIES AND REMEDIES. THE WARRANTIES SET FORTH ABOVE CONSTITUTE APC BY SCHNEIDER ELECTRIC'S SOLE LIABILITY AND PURCHASER'S EXCLUSIVE REMEDY FOR ANY BREACH OF SUCH WARRANTIES. APC BY SCHNEIDER ELECTRIC WARRANTIES EXTEND ONLY TO PURCHASER AND ARE NOT EXTENDED TO ANY THIRD PARTIES.

IN NO EVENT SHALL APC BY SCHNEIDER ELECTRIC, ITS OFFICERS, DIRECTORS, AFFILIATES OR EMPLOYEES BE LIABLE FOR ANY FORM OF INDIRECT, SPECIAL, CONSEQUENTIAL OR PUNITIVE DAMAGES, ARISING OUT OF THE USE, SERVICE OR INSTALLATION, OF THE PRODUCTS, WHETHER SUCH DAMAGES ARISE IN CONTRACT OR TORT, IRRESPECTIVE OF FAULT, NEGLIGENCE OR STRICT LIABILITY OR WHETHER APC BY SCHNEIDER ELECTRIC HAS BEEN ADVISED IN ADVANCE OF THE POSSIBLY OF SUCH DAMAGES. SPECIFICALLY, APC BY SCHNEIDER ELECTRIC IS NOT LIABLE FOR ANY COSTS, SUCH AS LOST PROFITS OR REVENUE, LOSS OF EQUIPMENT, LOSS OF USE OF EQUIPMENT, LOSS OF SOFTWARE, LOSS OF DATA, COSTS OF SUBSTITUENTS, CLAIMS BY THIRD PARTIES, OR OTHERWISE.

NO SALESMAN, EMPLOYEE OR AGENT OF APC BY SCHNEIDER ELECTRIC IS AUTHORIZED TO ADD TO OR VARY THE TERMS OF THIS WARRANTY. WARRANTY TERMS MAY BE MODIFIED, IF AT ALL, ONLY IN WRITING SIGNED BY AN APC BY SCHNEIDER ELECTRIC OFFICER AND LEGAL DEPARTMENT.

Warranty claims

Customers with warranty claims issues may access the APC by Schneider Electric customer support network through the Support page of the APC by Schneider Electric Web site, **www.apc.com/support**. Select your country from the country selection pull-down menu at the top of the Web page. Select the Support tab to obtain contact information for customer support in your region.

Worldwide Customer Support

Customer support for this product is available at www.apc.com.

© 2020 APC by Schneider Electric. NetShelter, APC, and the APC logo are trademarks owned by Schneider Electric SE or its subsidiaries. All other trademarks may be property of their respective owners.