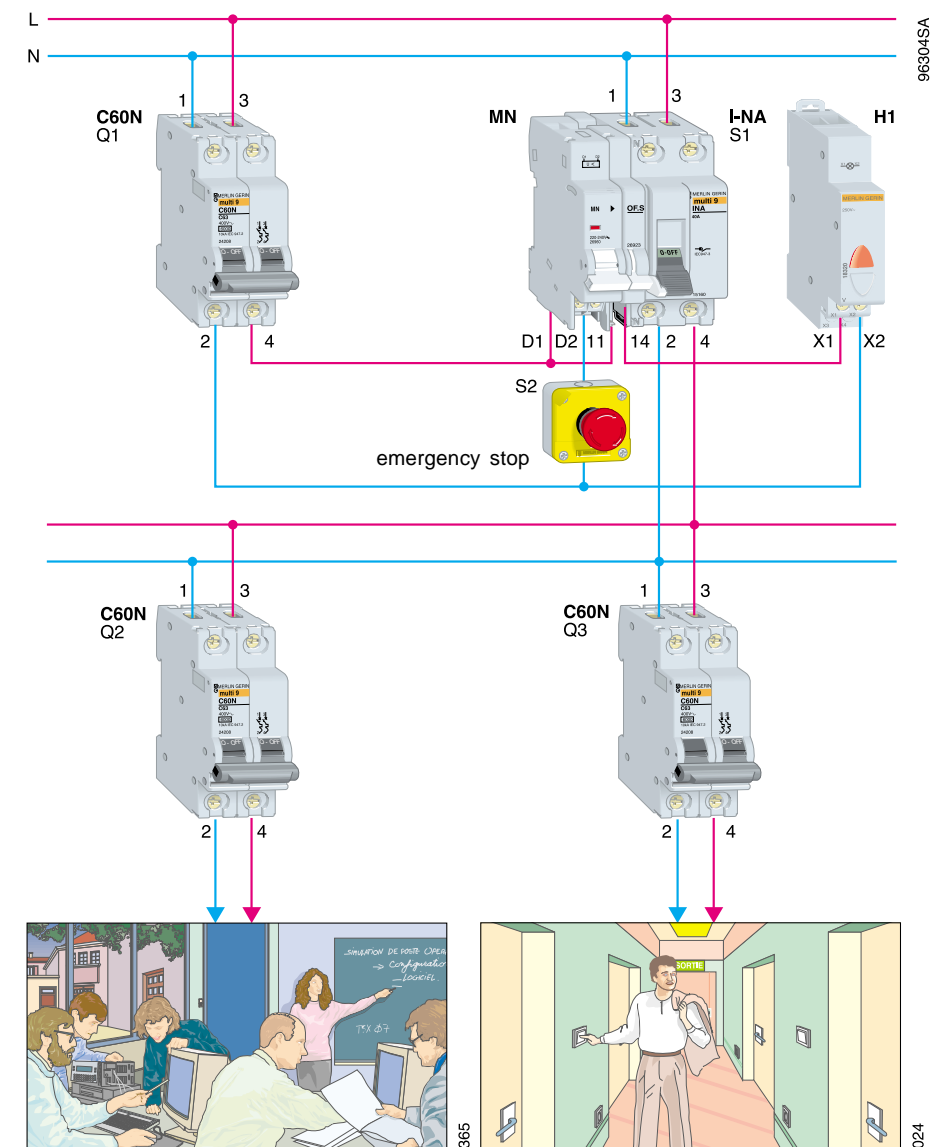
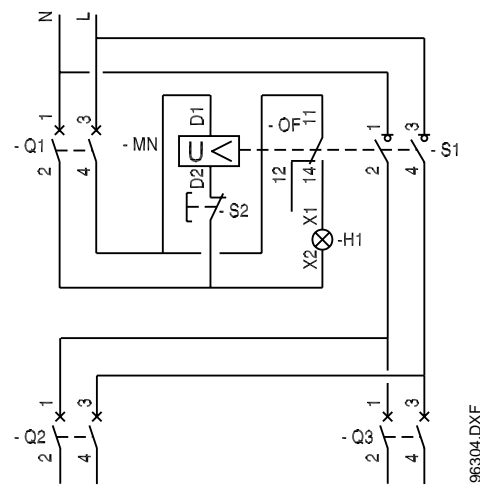


how to remotely cut the supply to an electrical switchboard equipped with an incoming switch?

- combine an MN electric release with an I-NA switch;
- the OFF pushbutton ensures remote tripping of the switch;
- the red indicator light connected to the contact of the I-NA switch allows indication on tripping.

electric circuit



products used	qty.	part no.
2P C60	3	
2P I-NA	1	
MN	1	26960
red indicator light	1	18320

additional information