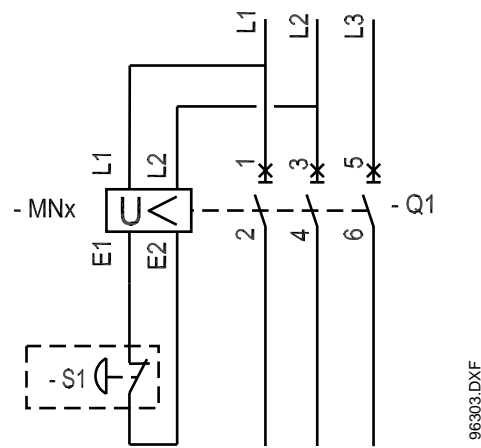


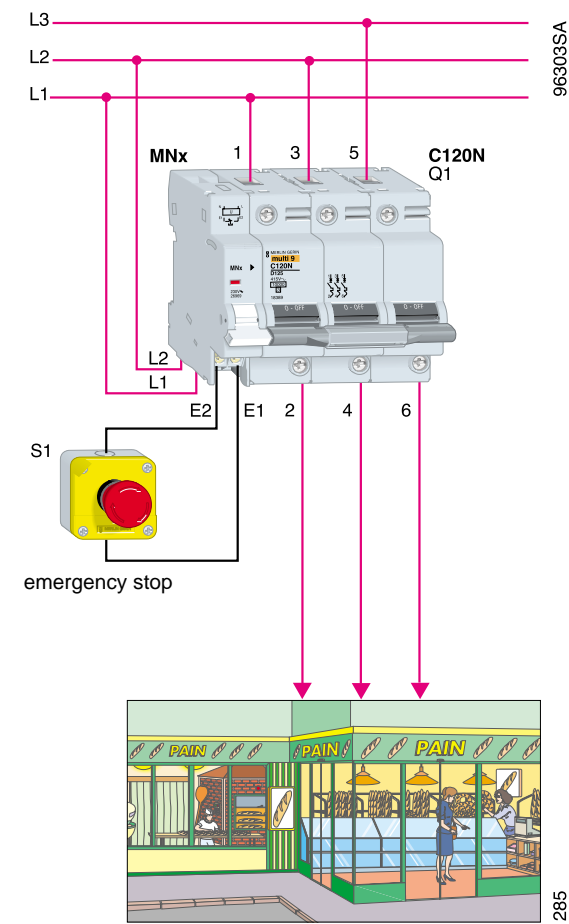
how to deliberately break a 230 V single-phase circuit by an opening pushbutton (fail-safe emergency stop), without being disturbed by network fluctuations?

■ the MNx release supplied with 400 V is associated with a circuit-breaker. An opening pushbutton cuts the E1-E2 input circuit of the MNx, thus causing the circuit-breaker to open and the machines to stop.

electrical circuit



96303.DXF



285

products used	qty	part no.
three-pole C120N	1	
MNx	1	26971

additional information