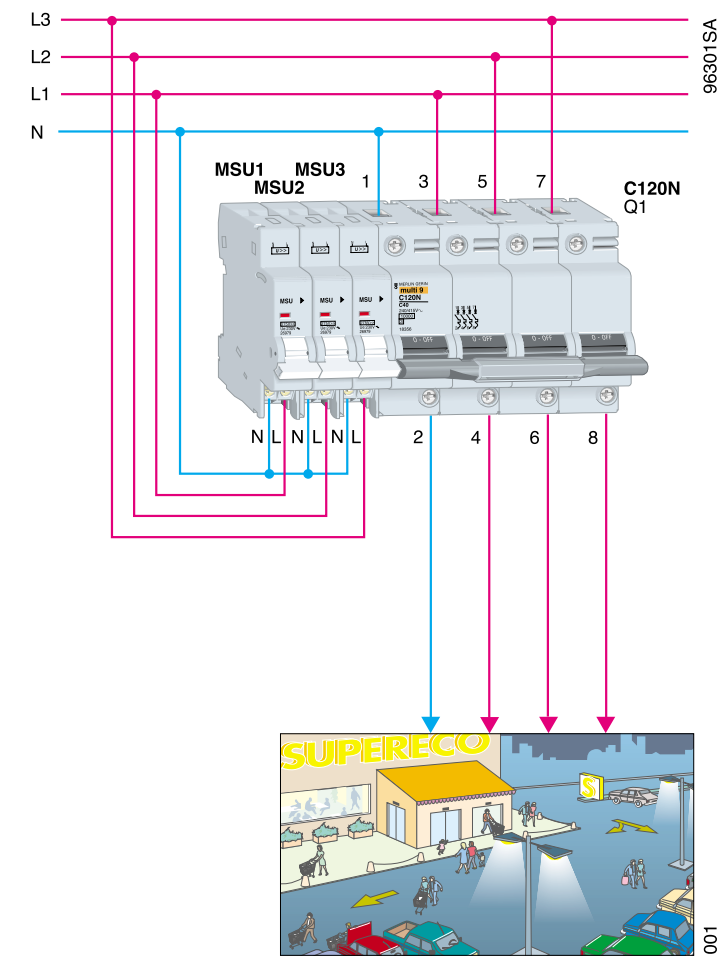
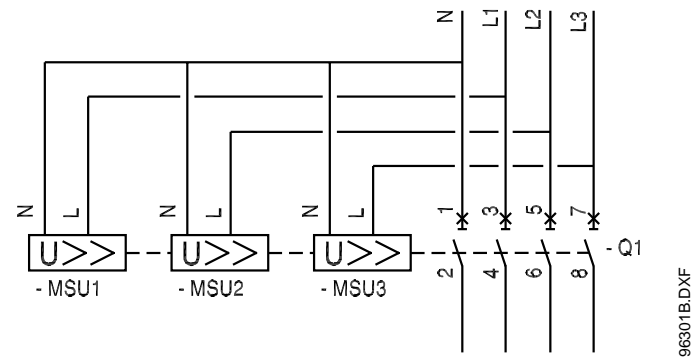


## how to protect an electrical installation from neutral breaking in upstream distribution?

- the MSU voltage threshold release, associated with the circuit-breaker, monitors voltage between the phase and neutral conductors;
- in event of an overvoltage lasting more than a 30 milliseconds, it automatically cuts the power supply to the circuit by opening the circuit-breaker.

### electrical circuit



products used	qty.	part no.
four-pole C120N	1	
MSU	1	26979

### additional information