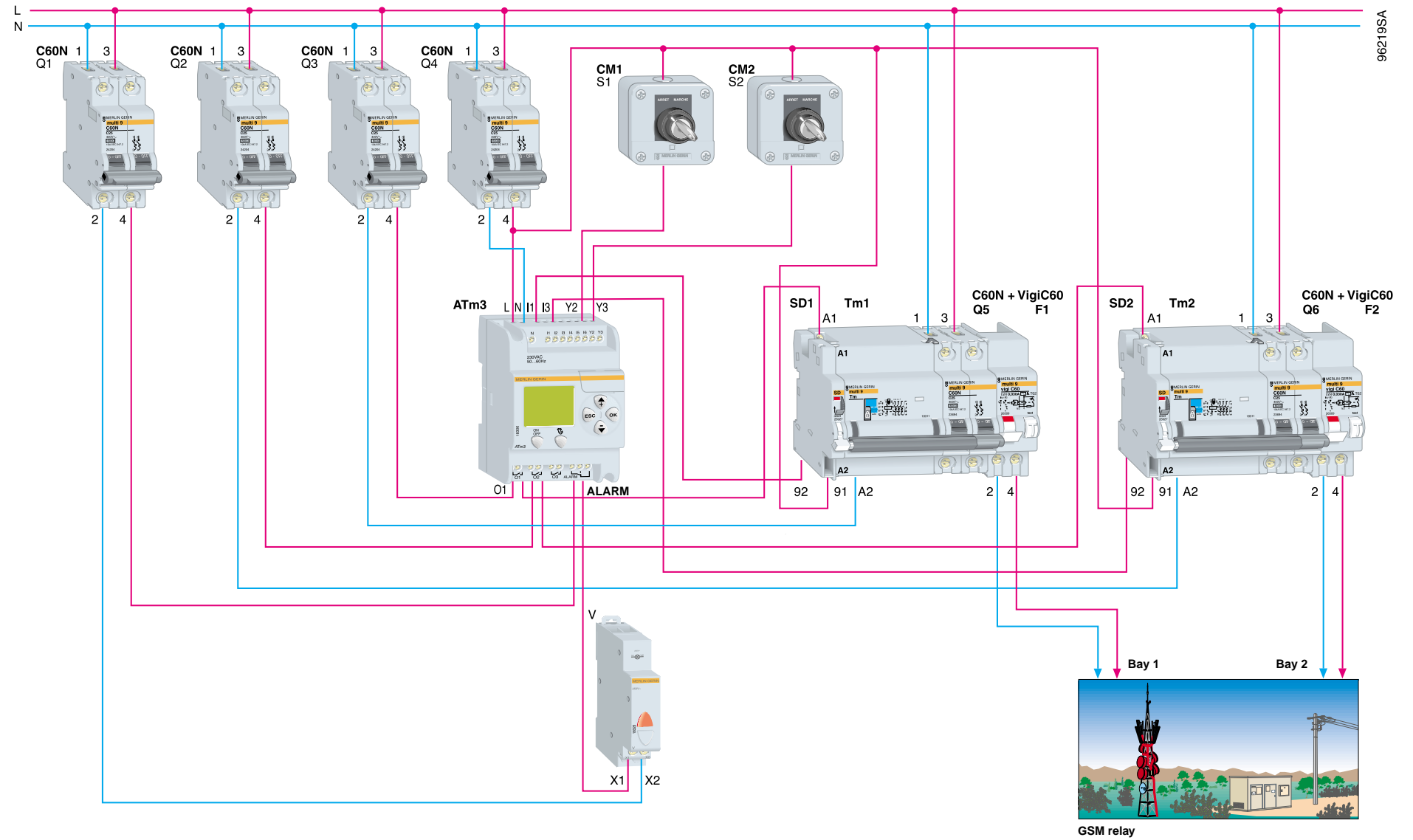
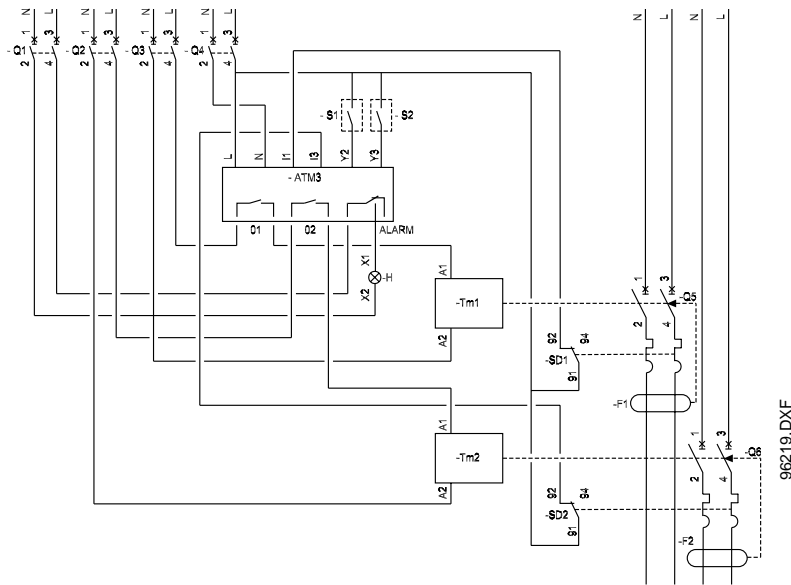


### how to perform automatic reclosing on transient faults of several remote-controlled circuit-breakers for the supply of a GSM relay?

- the ATm3 3-output automated device ensures automatic reclosing after tripping on a fault of the protection device;
- it operates on a general electrical fault (SD), as well as on a differentiated electrical fault;
- it is equipped with:
  - an LCD display
  - circuit-breaker fault signal inputs (SD)
  - Vigirex (RH99) fault signal inputs (optional)
  - browse keys: +, -, ESC, OK,
  - special purpose keys: ON/OFF,  $\nabla$ , for:
    - operation and inhibition of the ATm3
    - feeder status diagnosis: metering and fault type
    - access to the fault counter and time delay configuration and initialisation menus ;
  - a door contact or a key selector switch S1 can be used for remote inhibition of ATm3 ;
  - the indicator light H is used for remote indication of the locked Tm information to the operating centre ;
  - a key selector switch S2 can allow a single remote reclosing of a blocked feeder.



#### electric circuit



products used	qty	cat. no.
2P C60N	4	
2P Vigi C60	2	
1-2P Tm	2	18310
ATm3	1	18306

products used	qty	cat. no.
SD auxiliary switch	2	
red indicator light	1	18320
1P selector switch	2	

#### additional information

- the SD auxiliary switch is compulsory ;
- the manual control of the Tm remote control overrides the ATm3 automated device ;
- use the same power supply (L/N) for all the inputs (I) and the ATm3.
- optional: EEPROM memory cartridge (cat. no. 18314) used to save the configuration for duplication to other ATm3.