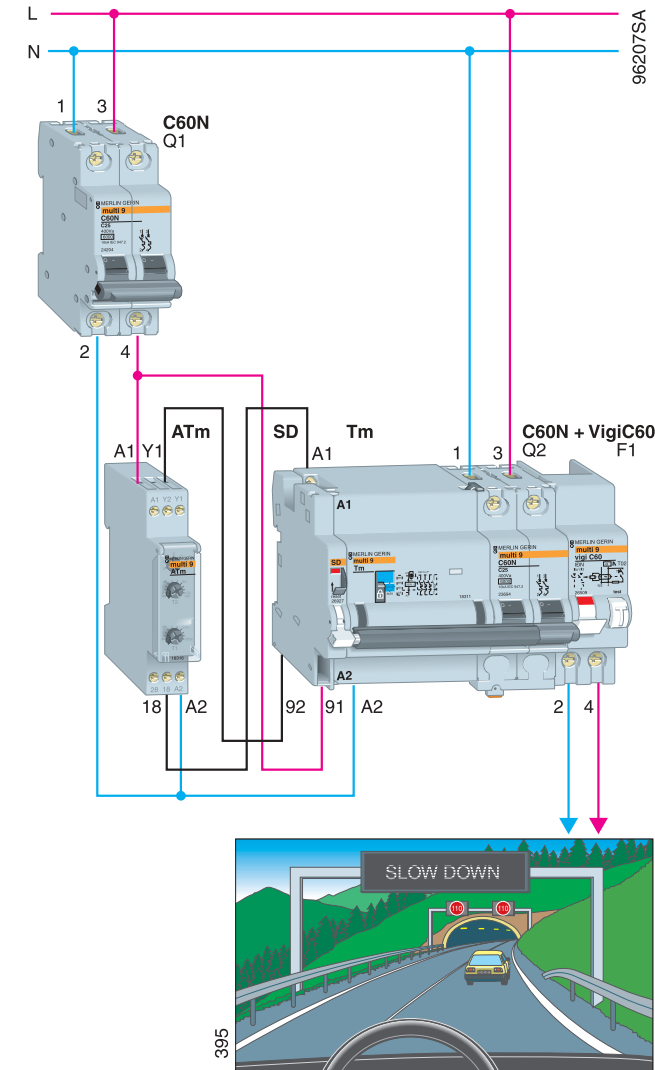
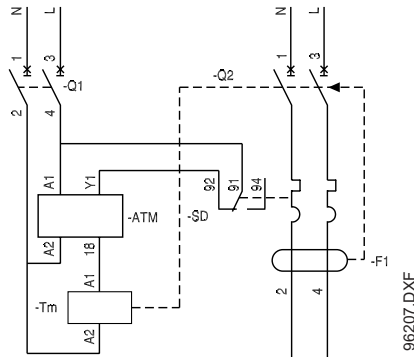


how is automatic re-closing conducted upon transient faults on the remote controlled circuit-breaker for road signalling?

- the automated device ATm ensures the automatic re-closing after the tripping upon a fault of the protection
- it recognises the type of fault (transient fault / permanent fault). The automated device locks the remote control Tm if the fault is permanent
- on the front panel, under a transparent sealable cover, it has:
 - a selector switch, for the number of authorised re-closings (0, 1, 2, 5 or 10), stoppings and settings of the ATm (off/reset)
 - potentiometer T2 sets maximum duration (12 to 120 min) authorising the number of re-closings selected on the switch
 - potentiometer T1 sets the time delay (30 to 300 s) before automatic re-closing
 - ATm status indicator (yellow):
 - not lit: de-energised or in the off/reset position
 - pulsating: normal operation
 - flashing: re-closing cycle in progress
 - steady: locked Tm.

electrical circuit



products used	qty	cat. no.
C60N 2-pole	2	
Vigi C60 2-pole	1	
Tm 1-2P	1	18310
ATm	1	18316
auxiliary contact SD	1	26927

additional information

- the auxiliary contact SD is mandatory
- manual operation of the remote control Tm overrides the automated device ATm.