

how to remotely trip and indicate the position of a residual current circuit-breaker?

■ the ID residual current circuit-breaker breaks a circuit either manually or automatically after detection of a residual current resulting from an insulation fault between a live conductor and a frame or the earth;

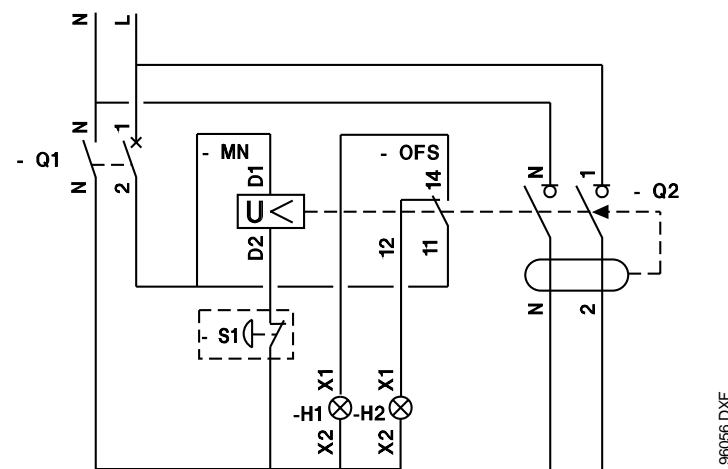
■ the S1 emergency pushbutton, equipped with a NC contact, controls the MN undervoltage release:

- action on S1 causes remote opening of the ID,
- reclosing occurs by action on the ID toggle;

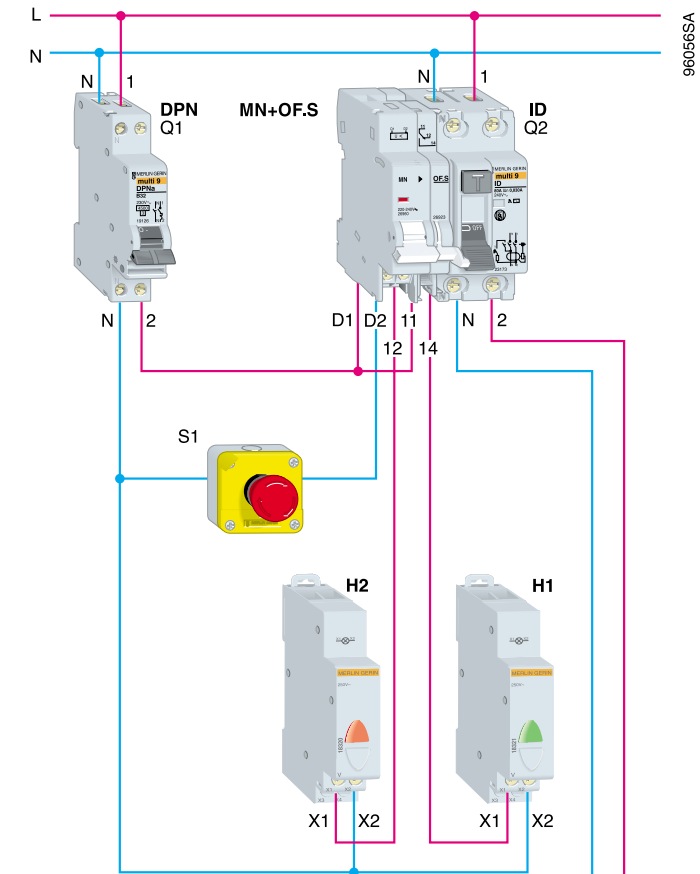
■ the OFS auxiliary contact, required to adapt the electrical auxiliaries on the ID, is equipped with a changeover switch linked to the "open" or "closed" position of the ID; it controls remote indication by indicator light:

- the H1 green indicator light indicates the "closed" position of the ID,
- the H2 red indicator light indicates the "open" position of the ID.

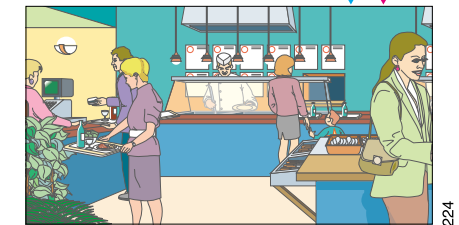
electric circuit



96056.DXF



96056SA



224

products used	qty.	part no.
DPN	1	
2P ID	1	
MN	1	26960
OFS	1	26923

products used	qty.	part no.
red indicator light	1	18320
green indicator light	1	18321

additional information

- the electrical auxiliaries of the C60 are mounted on the left-hand side of the ID within a limit of 54 mm, including OFS;
- A power cut results in tripping of the ID. To eliminate brownouts or transient voltage drops, an MNs delayed undervoltage release allows a 0.5 s time delay of ID tripping.