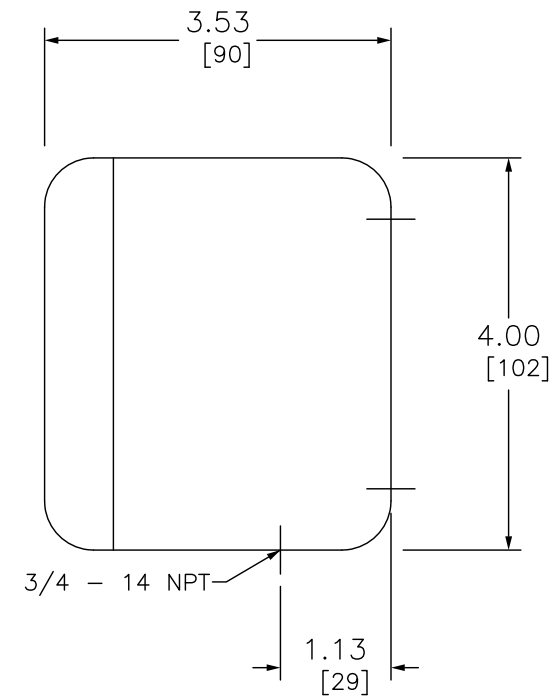
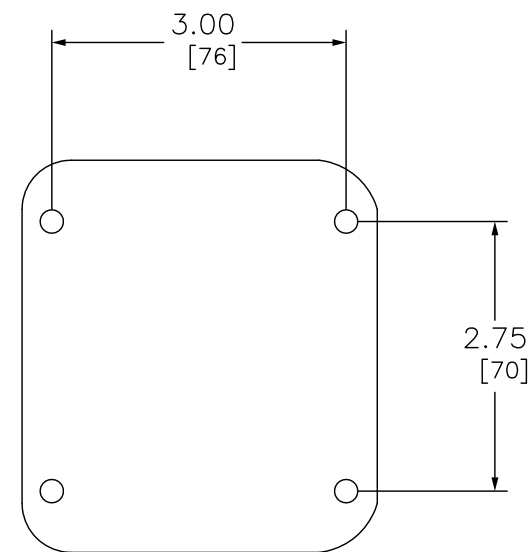


FRONT



RIGHT



BACK

DUAL DIMENSIONS: INCHES
MILLIMETERS

30MM CONTROL STATION 1 HOLE ALUMINUM



DWG# 9001KY1
NO.