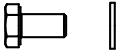


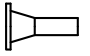
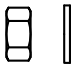




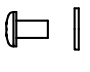
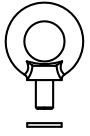



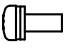











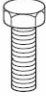
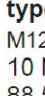


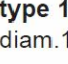
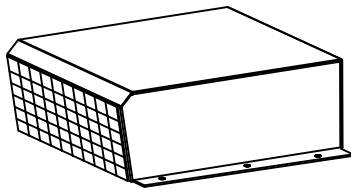
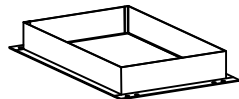
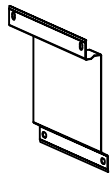
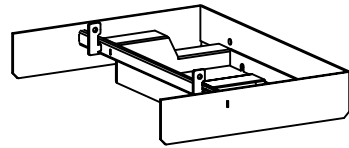


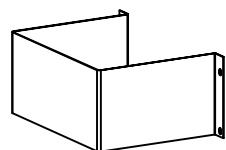
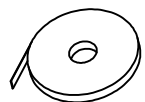
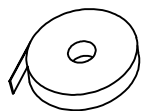
Ident.:	Material	Quantity
 A	M6 x 20 hexagon screw, plain washer	-
 B	M10 x 30 hexagon screw, plain washer	10
 C	M6 x 20 hexagon comby screw	8
 D	M6 flat head screw SAREL type cross recessed	-
 E	M10 nut, plain washer	2
 F	M6 comby nut	-
 G	M8 x 12 Threaded Plug H5	4
 H	Plug 27 x 24 x 11	2
 I	M4 x 10 hexagon comby screw	2
 J	M6 x 16 pan head screw cross recessed thru slot, plain washer	6
 P	M16 crane eye, plain washer	-

Ident.:	Material	Quantity
 K	M8 comby nut (screwed to the drive when delivered)	1
 L	M6 x 12 phillips slotted comby screw (screwed to the drive when delivered)	7
 M	M6 comby nut (screwed to the drive when delivered)	8
 N	M6 x 16 comby screw hexalobular recessed (screwed to the DC box when delivered)	-
	M12 crane eye, plain washer (screwed to the enclosure when delivered)	4

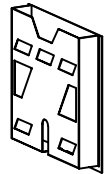
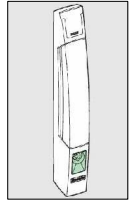
 type 1 ● M5 / T25 2.7 Nm 23.9 lb-in	 type 2 ● M6 / T30 4.5 Nm 39.82 lb-in	 type 3 ● M8 / T40 4.5 Nm 39.82 lb-in	 type 4 ● M12 / EXAG8 10 Nm 88.50 lb-in	 type 5 ● M6 / T30 4.5 Nm 39.82 lb-in
 type 6 M6	 type 7 M6	 type 9 M6	 type 11 M8 4.5 Nm 39.82 lb-in	 type 12 M 8
 type 13 M8 4.5 Nm 39.825 lb-in	 type 14 M12 10 Nm 88.50 lb-in	 type 15 diam. 6	 type 16 diam. 13	 type 17 diam.13 / PA 6.6



Ident.:	Material	Reference
1	drive support	ENNA06005
2	hard paper for rails	ENNA06019
3	EMC connection	ENNA06176
4	upper air duct	ENNA06186
5	roof extension	ENNA06212



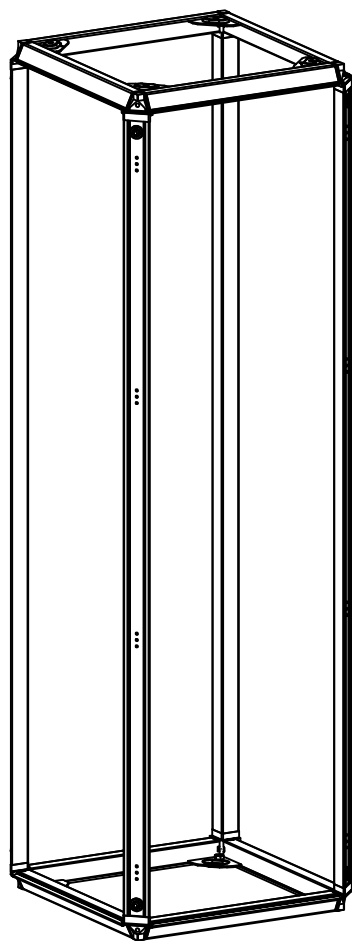
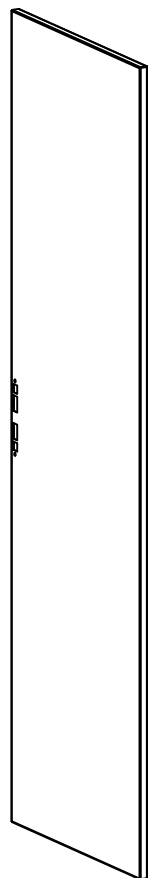
Ident.:	Material	Reference
6	sealing tape 20x3	ENNA06036
7	sealing tape 15x8	ENNA06035
8	door mounting kit	VW3 A1 102 VW3 A1 103 VW3 A1 104 R30
9	connection lower airduct	ENNA06171



Ident.:	Material	Reference
10	handle bar (U.E.)	NSYSSFHS1
11	sheet bag (U.E.)	NSYDPA44
12	Schneider logo	ENNA 10146

Enclosure : Universal Enclosure SF
cubicle frame size 2000x600x600

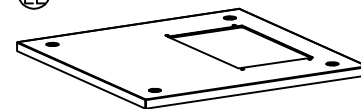
20



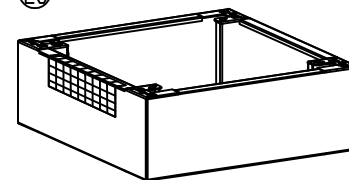
21

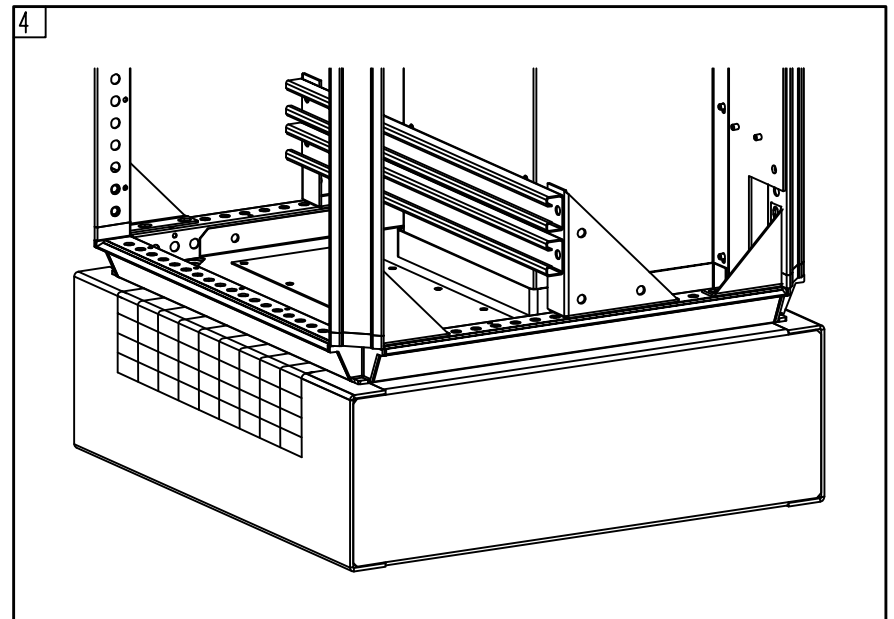
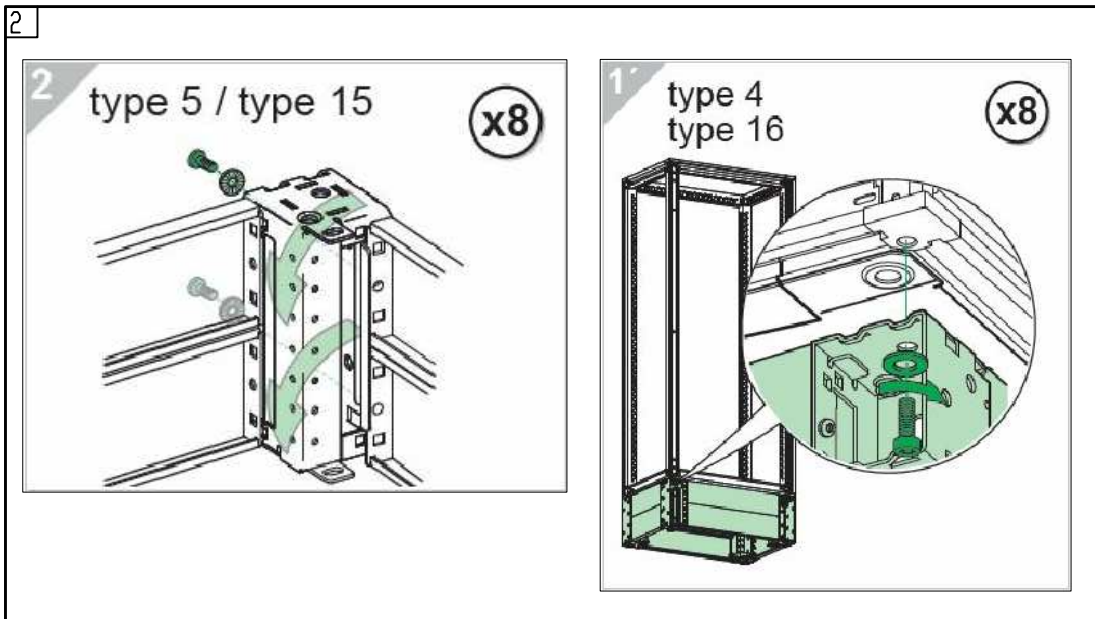
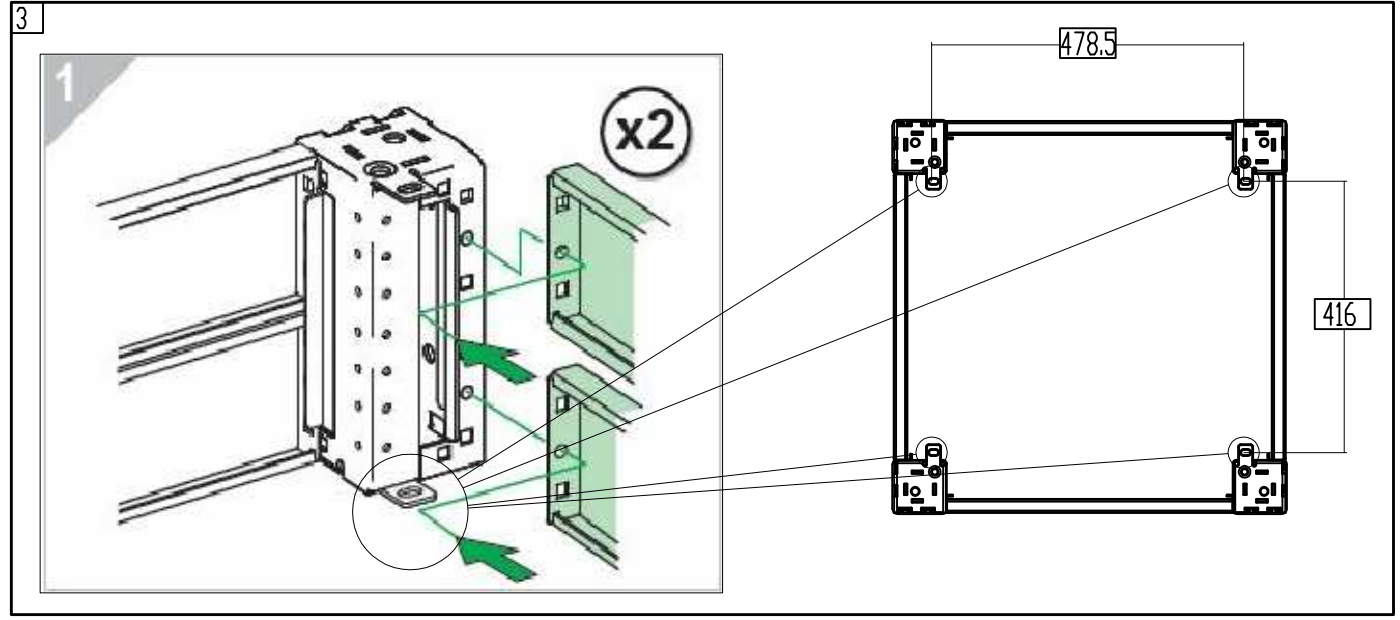
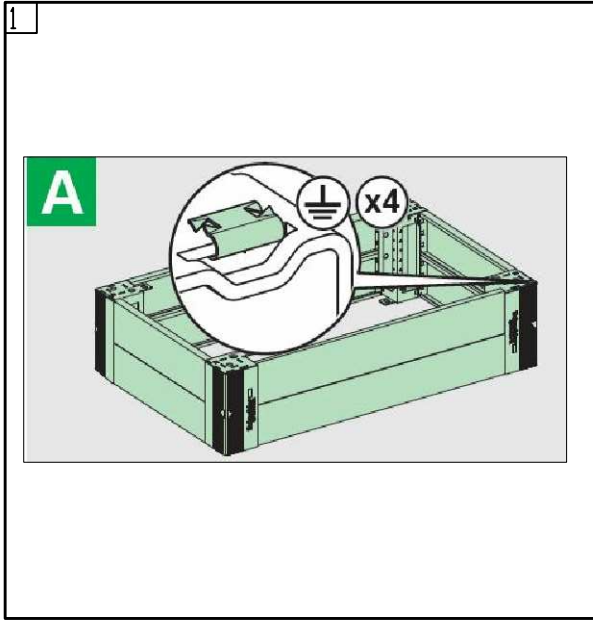


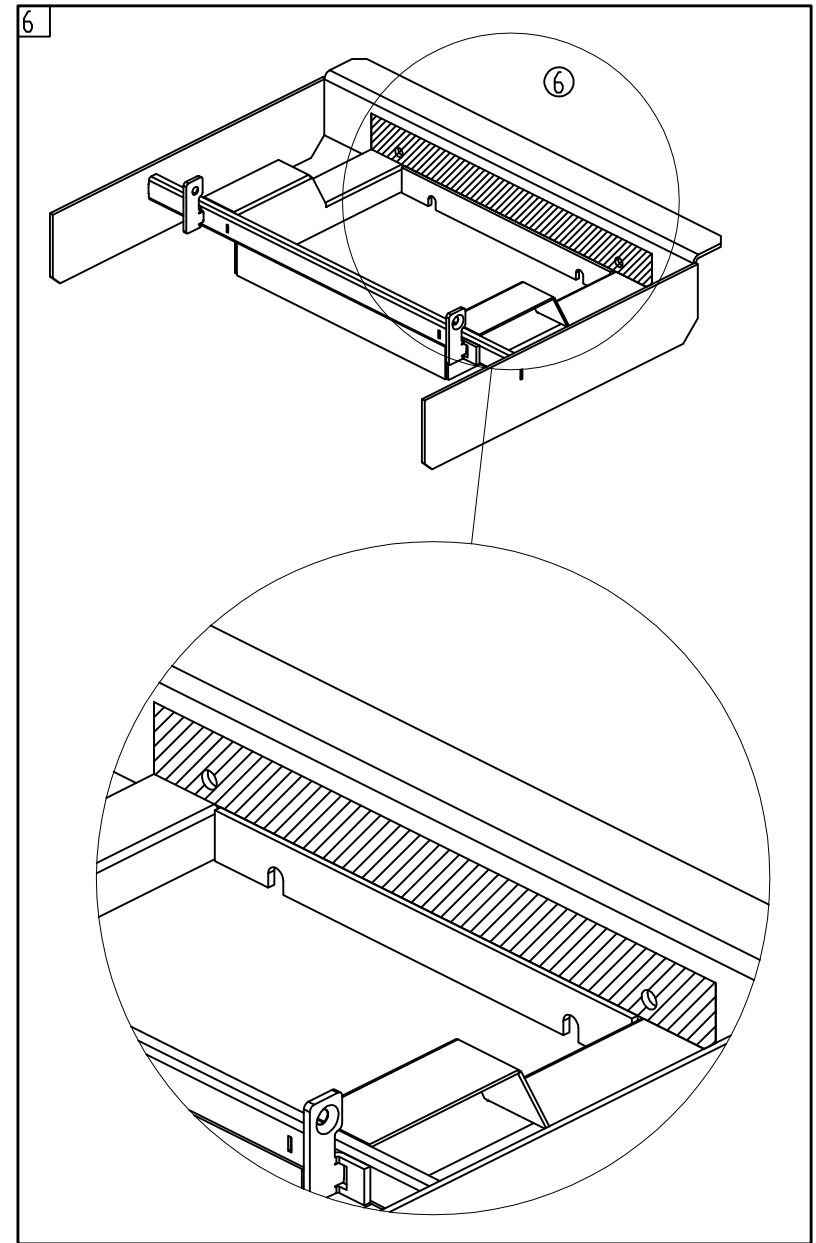
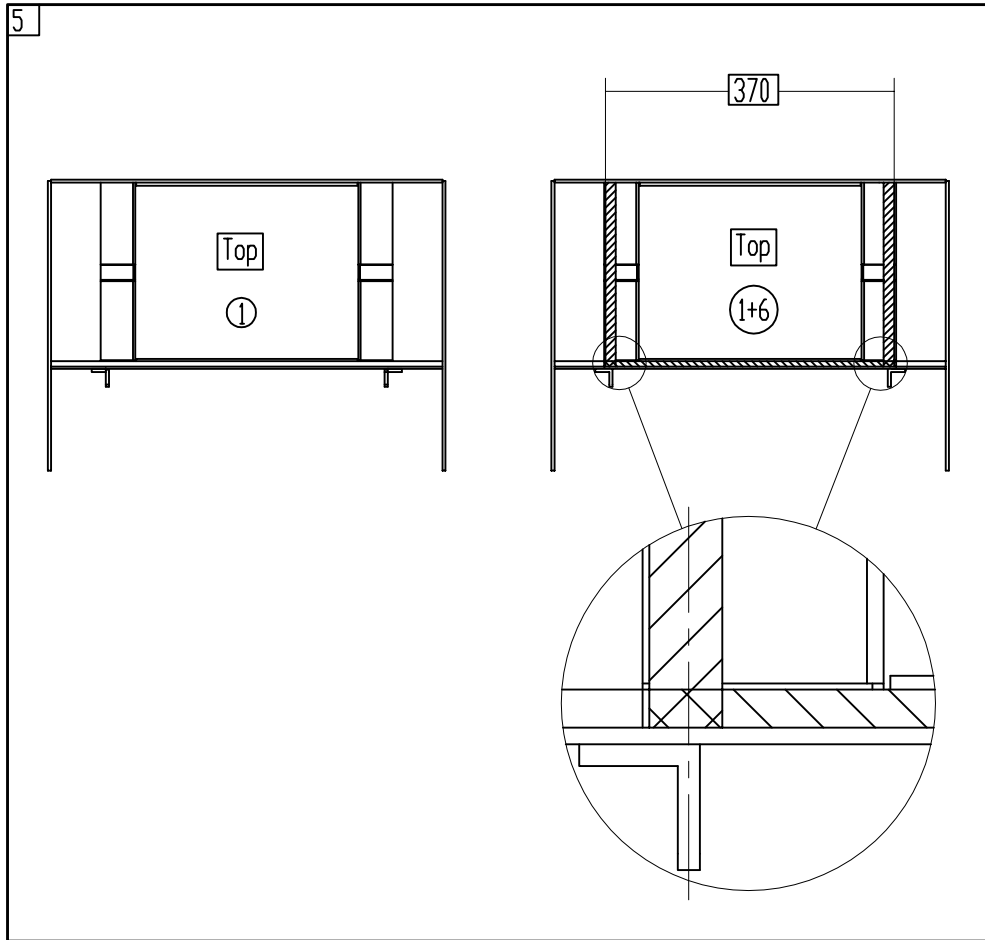
22

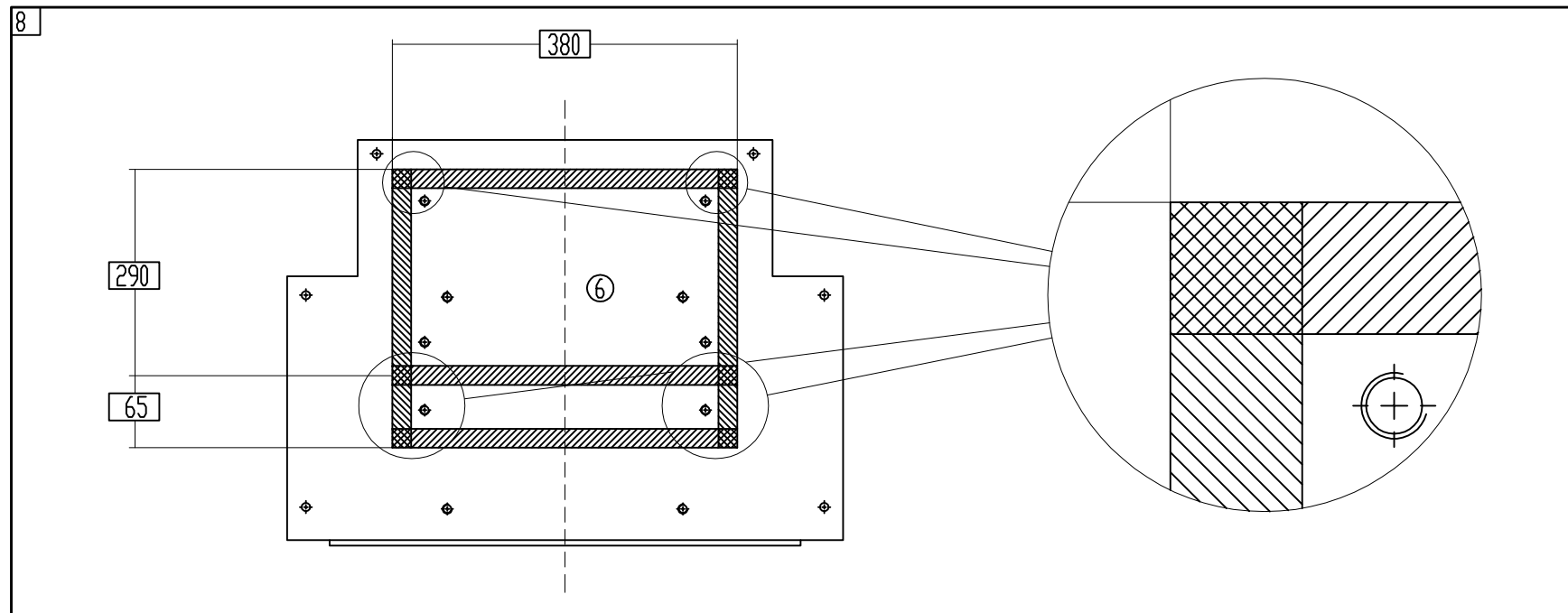
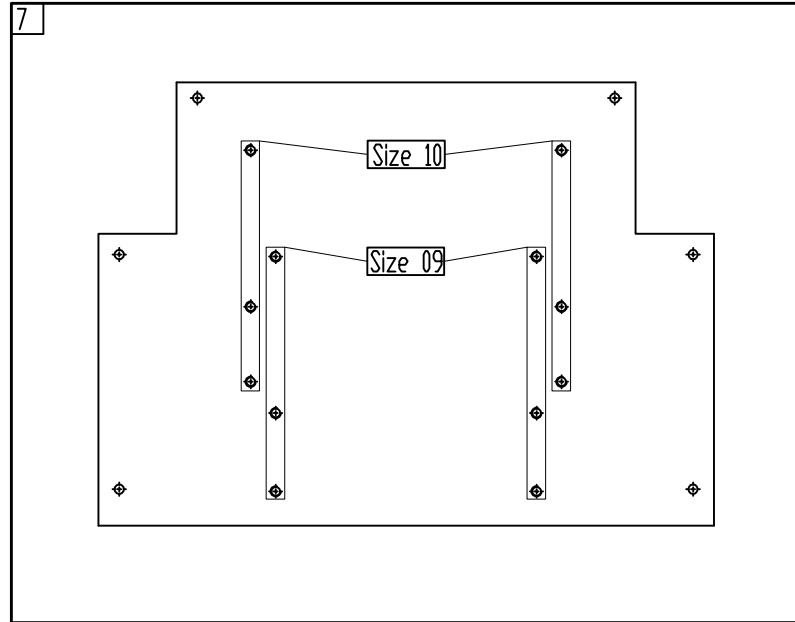


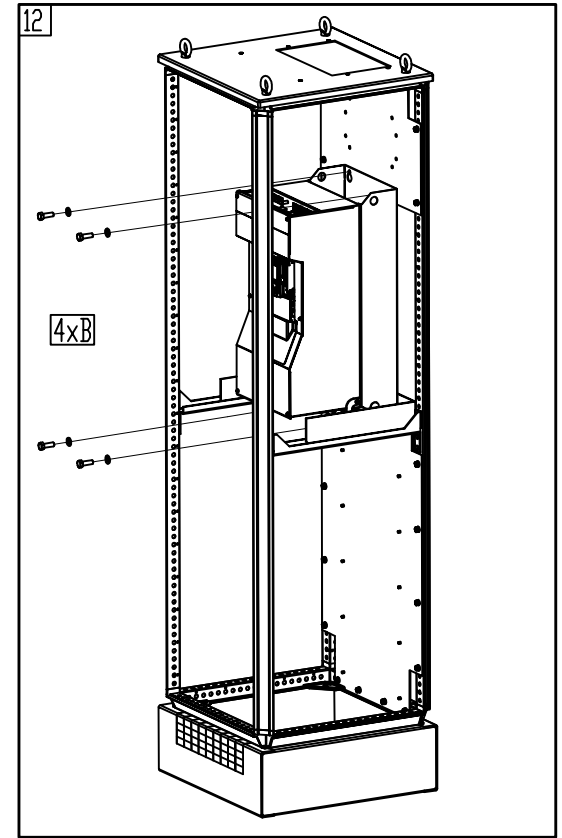
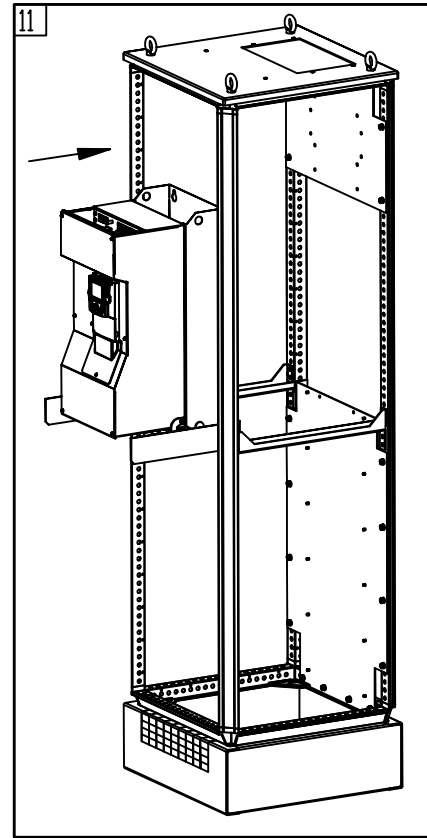
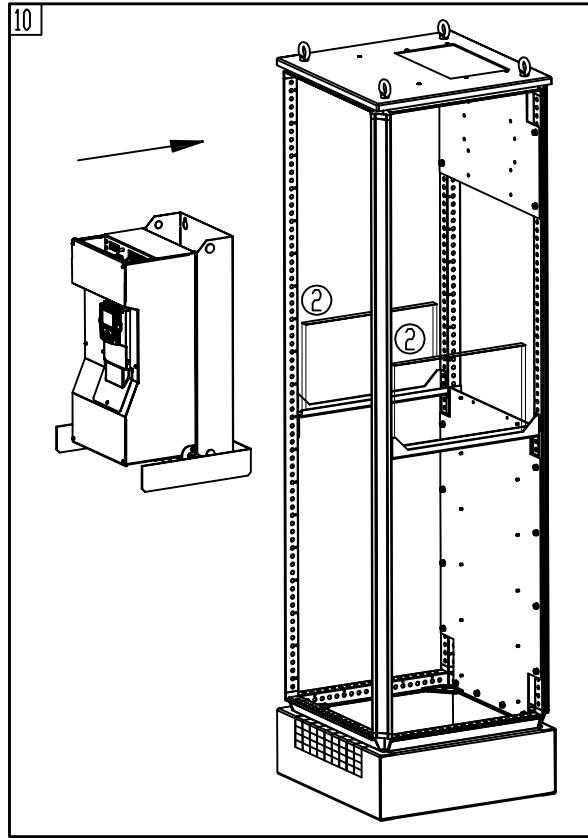
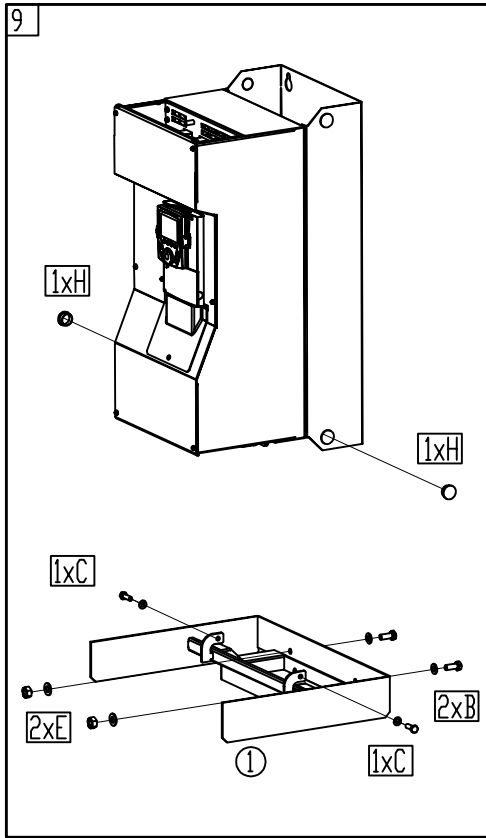
23



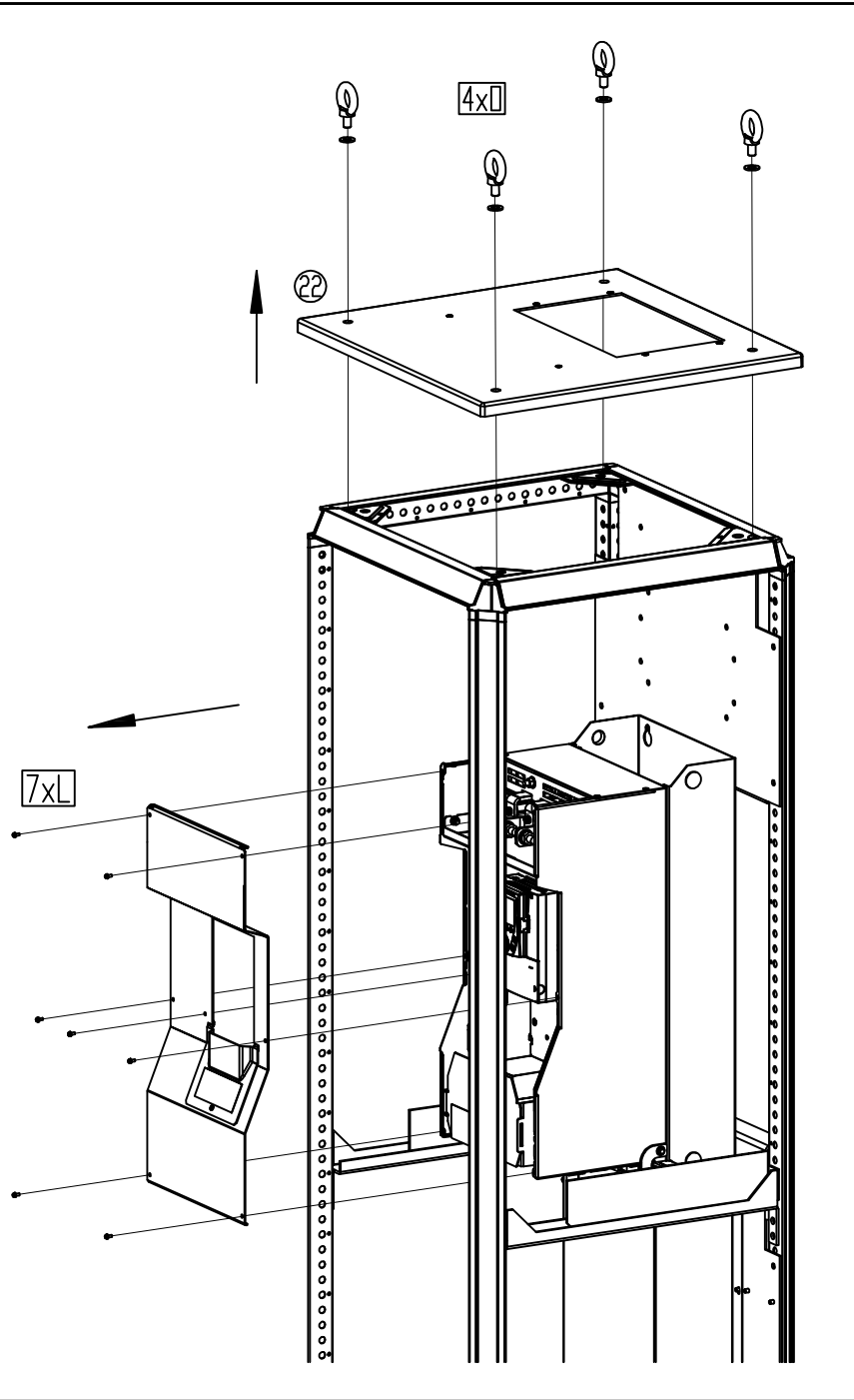




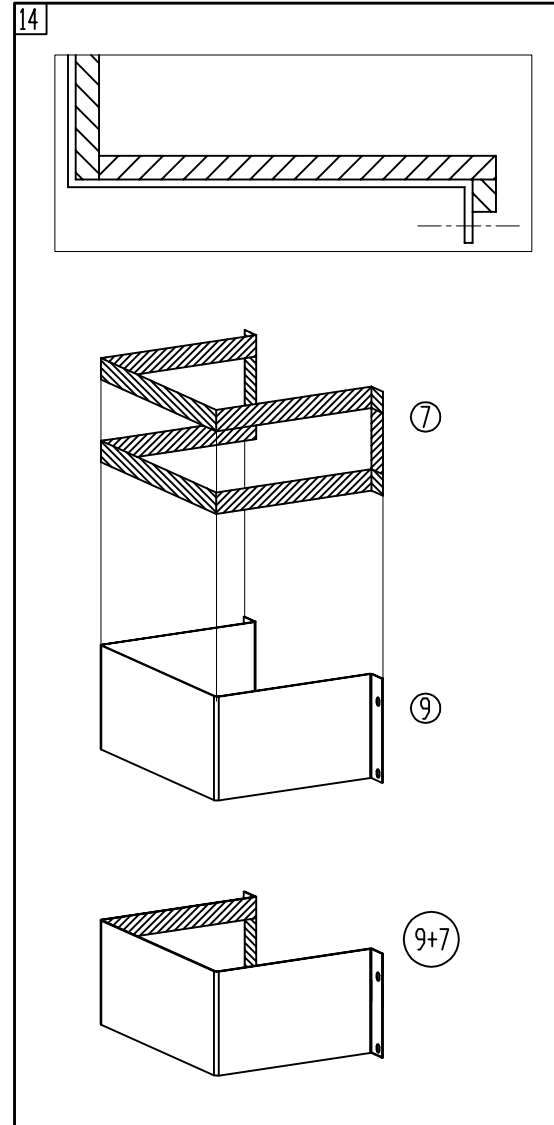




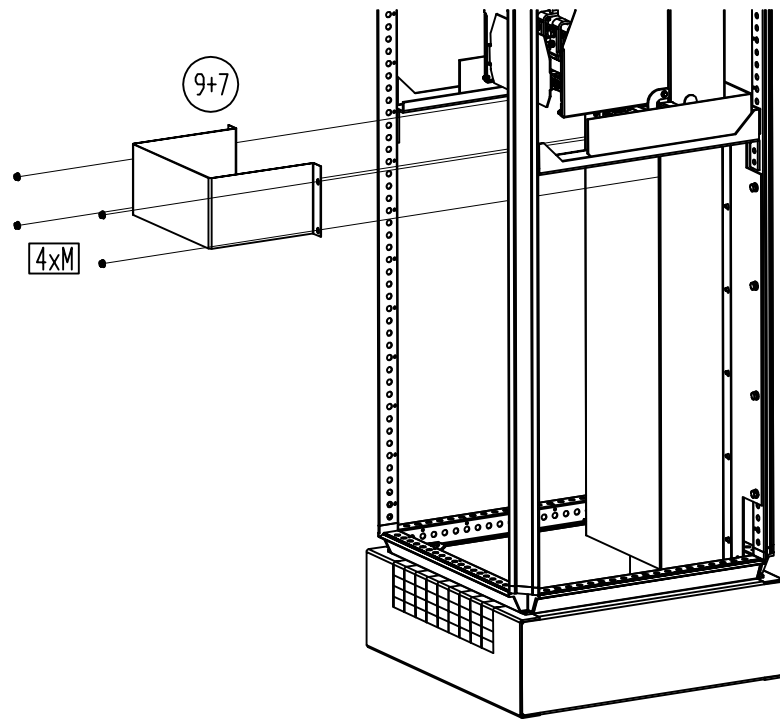
13



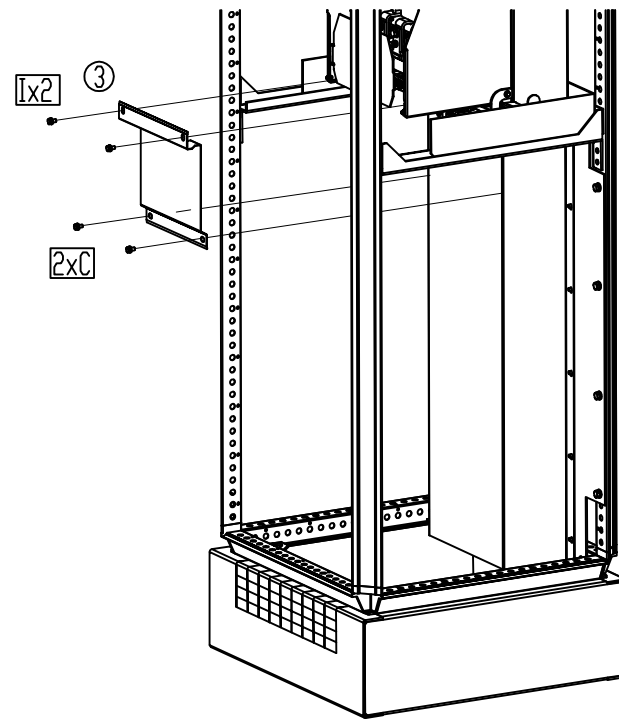
14

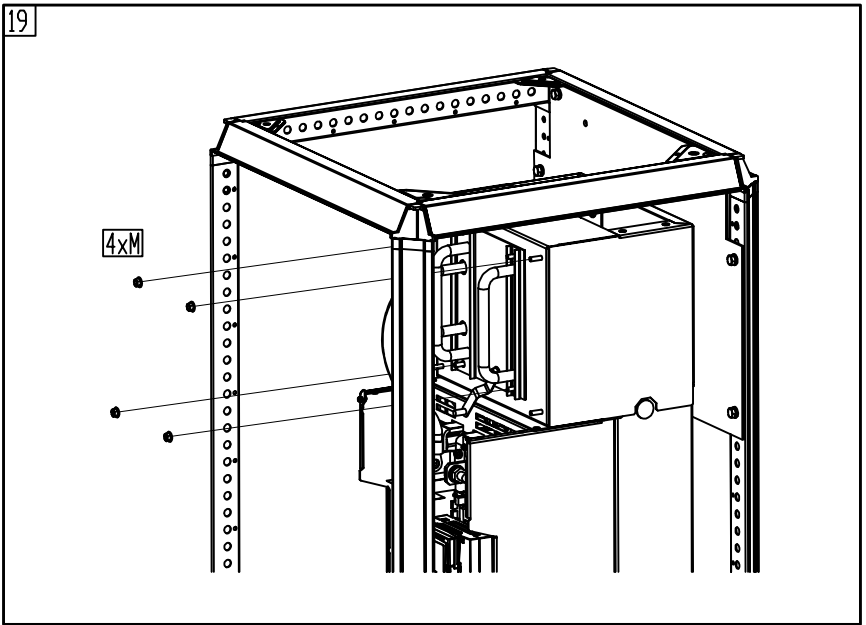
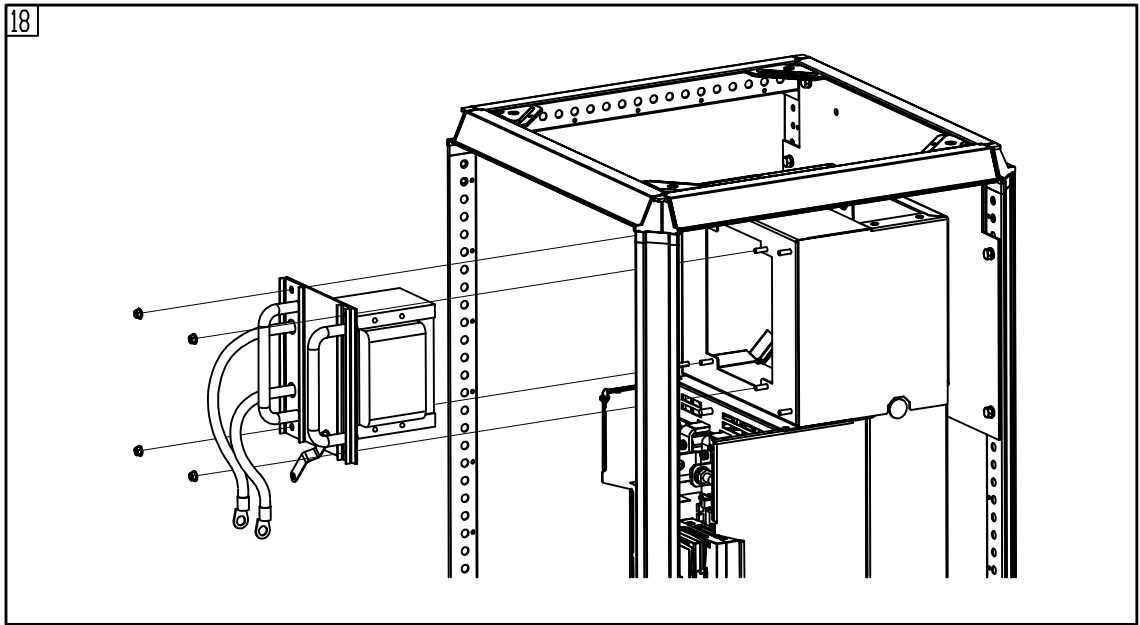
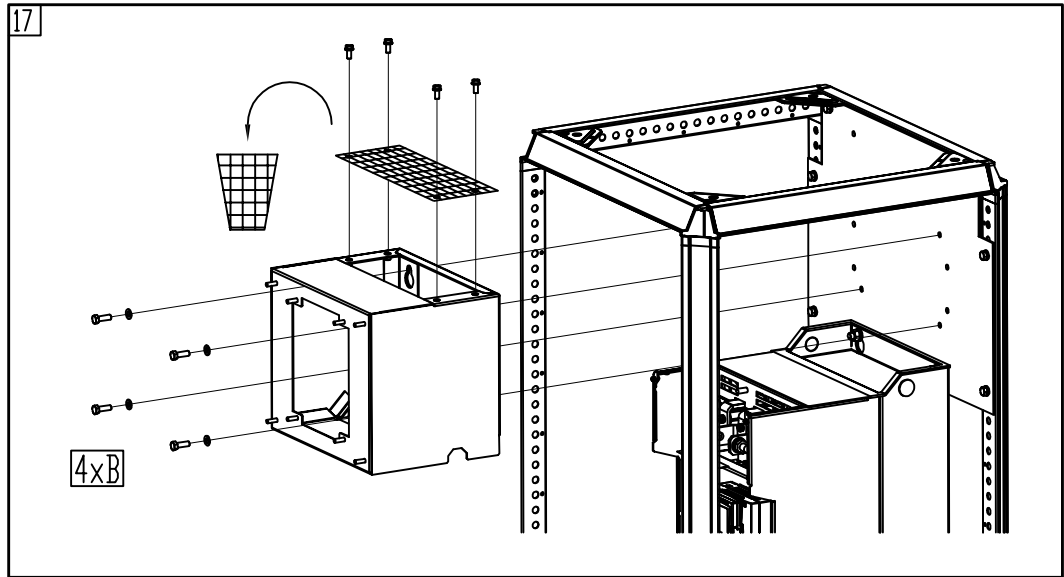


15

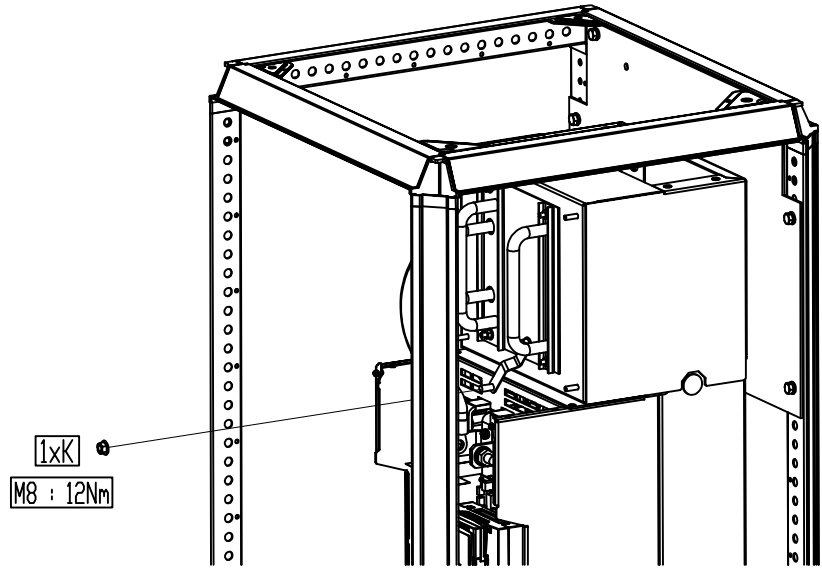


16

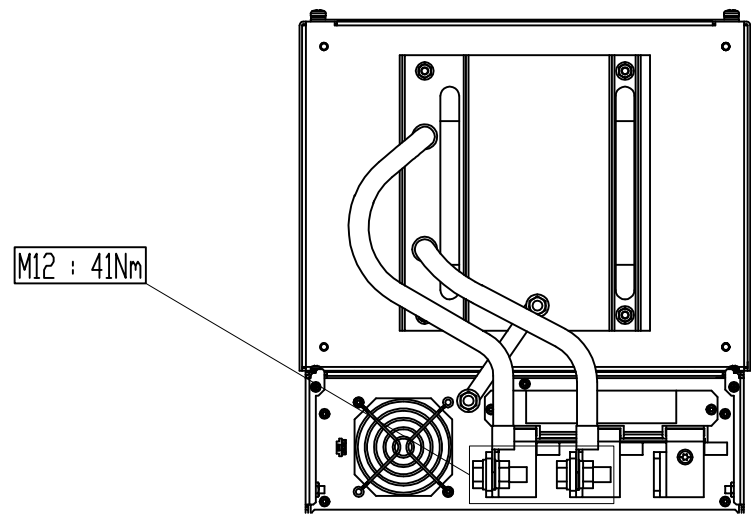




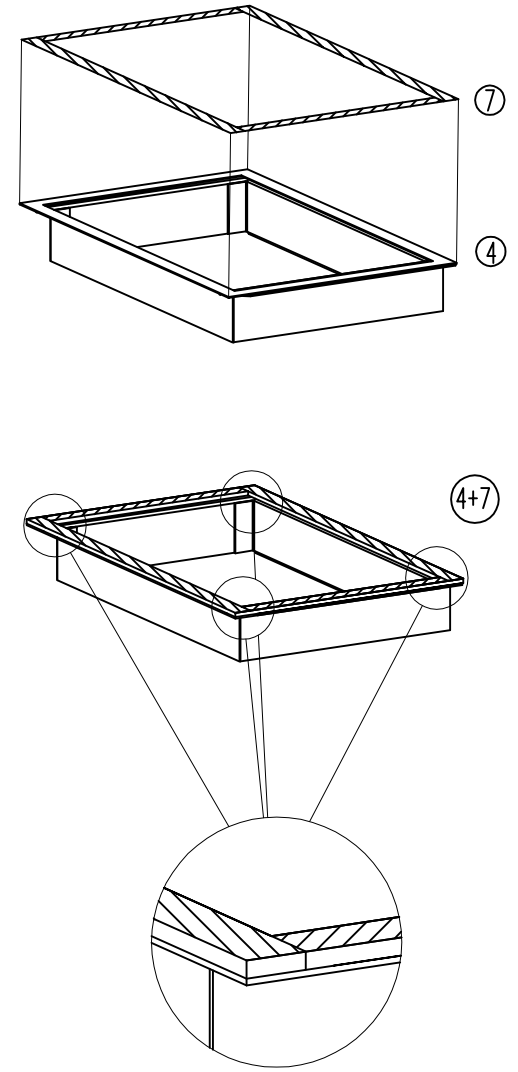
20



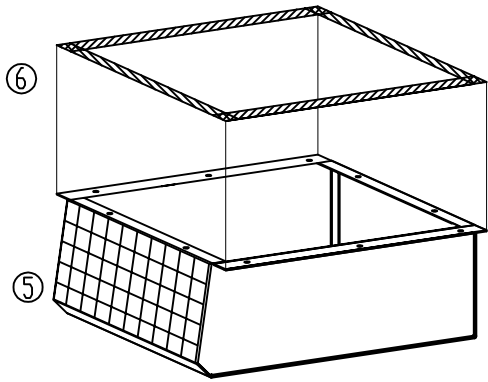
21



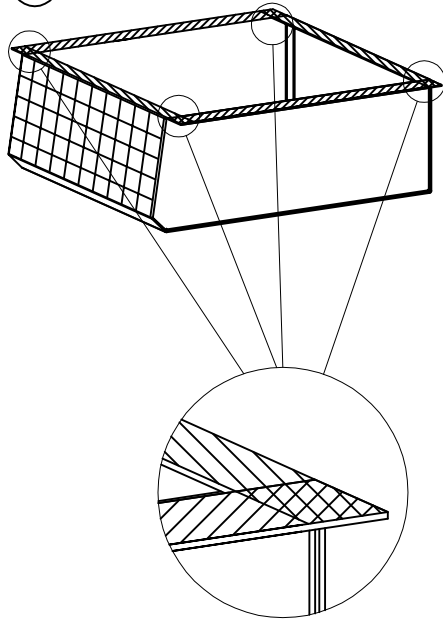
22



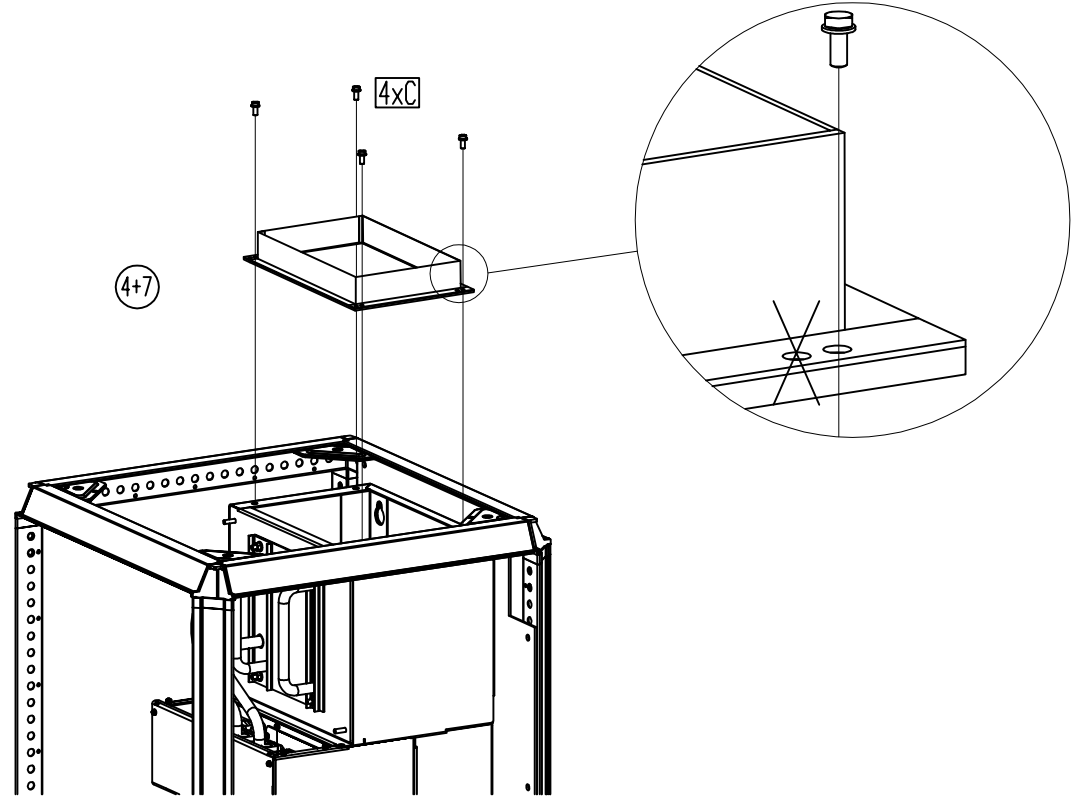
23

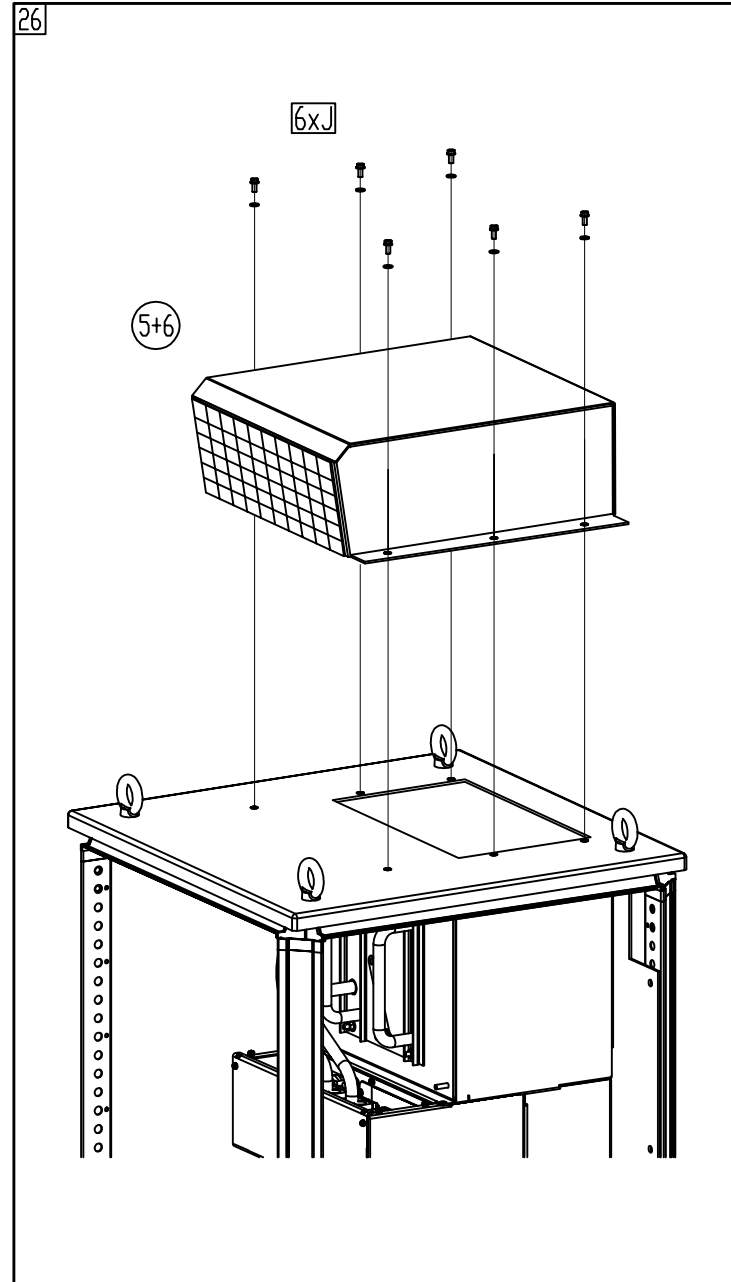
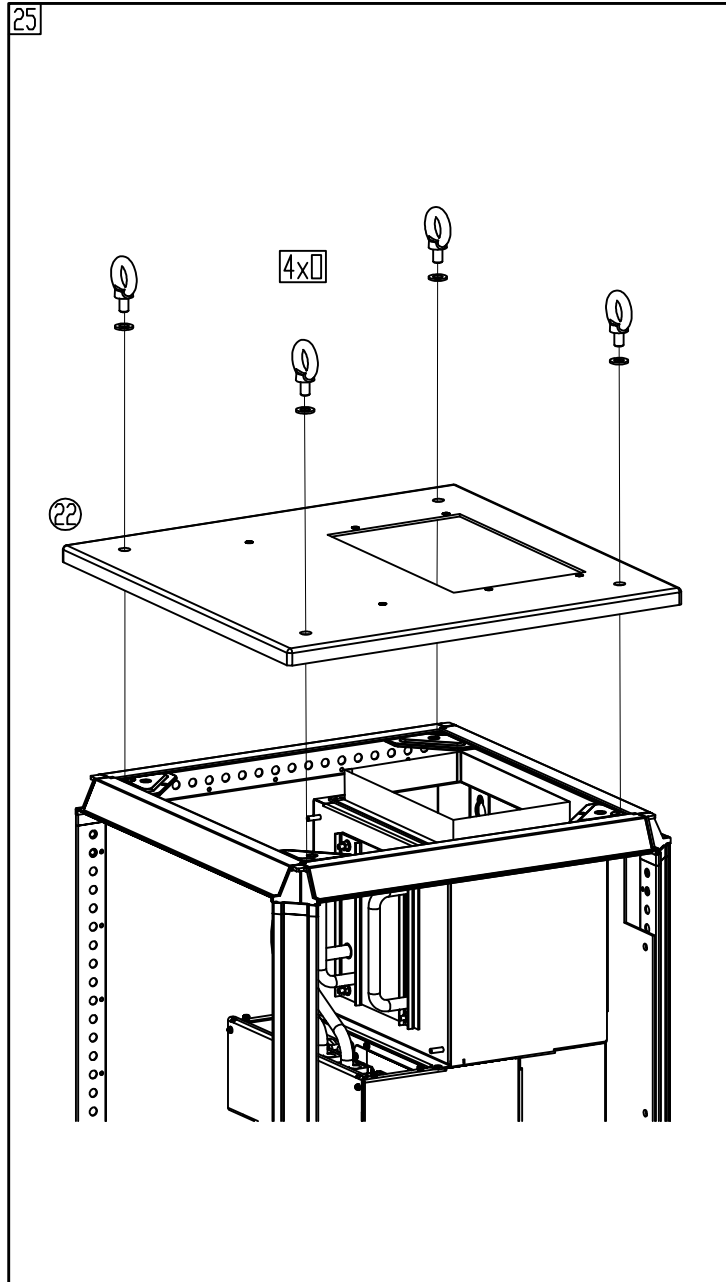


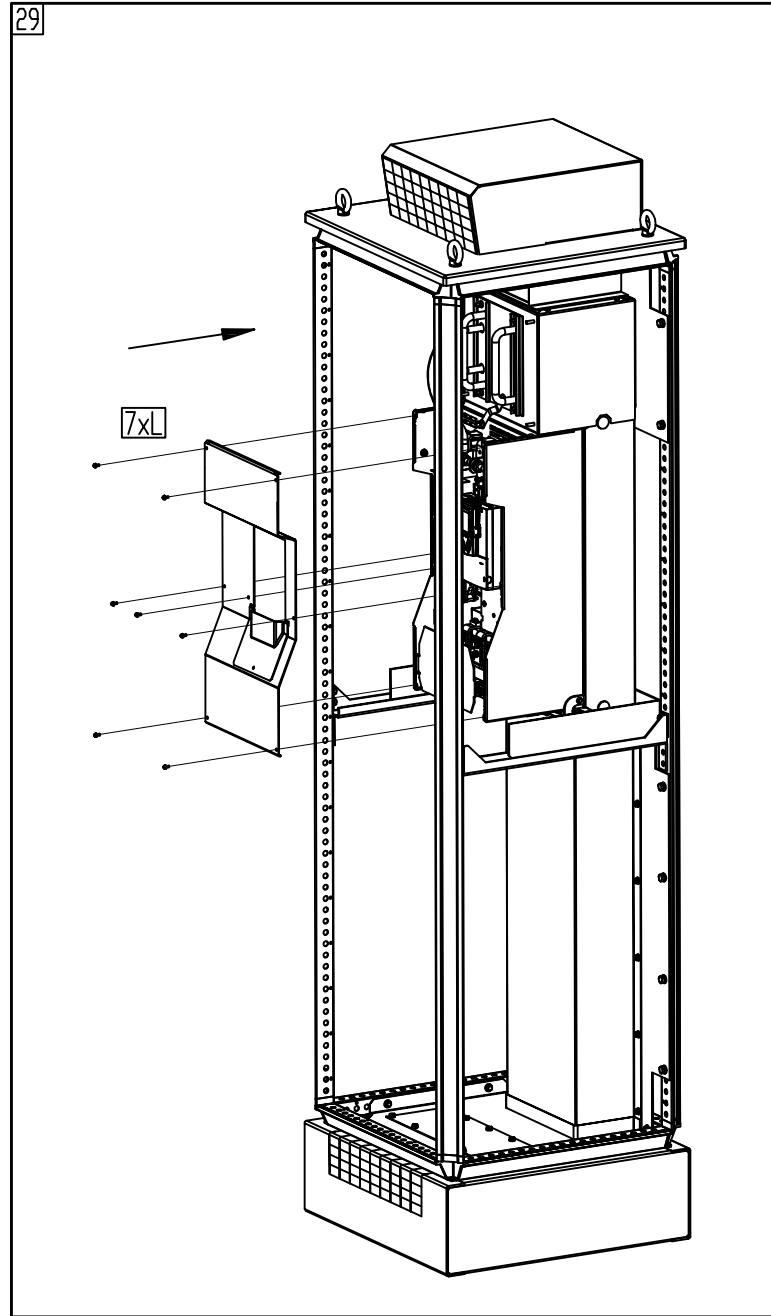
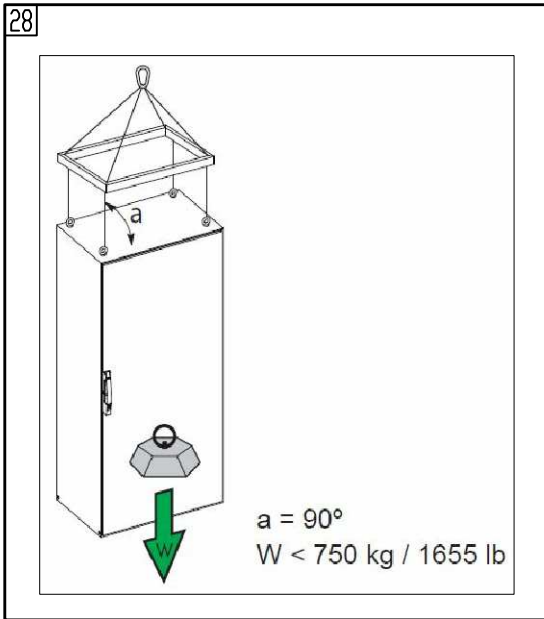
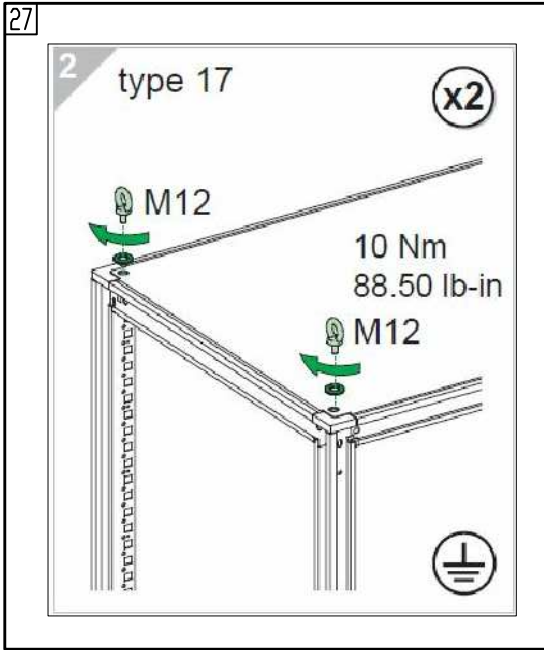
5+6



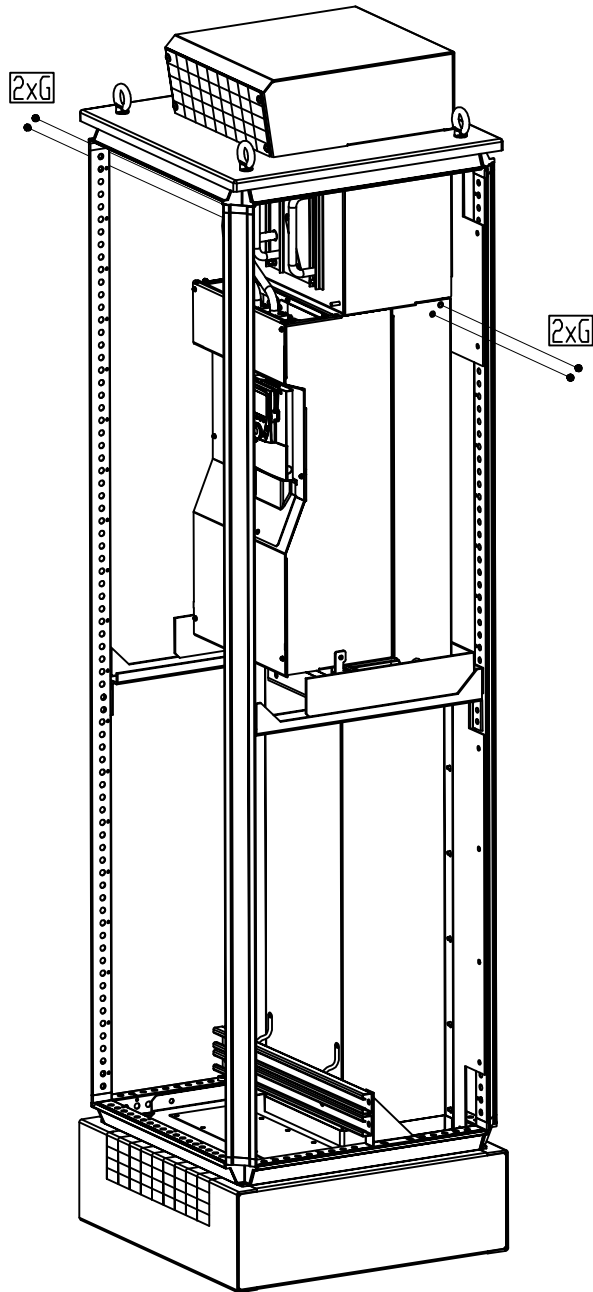
24



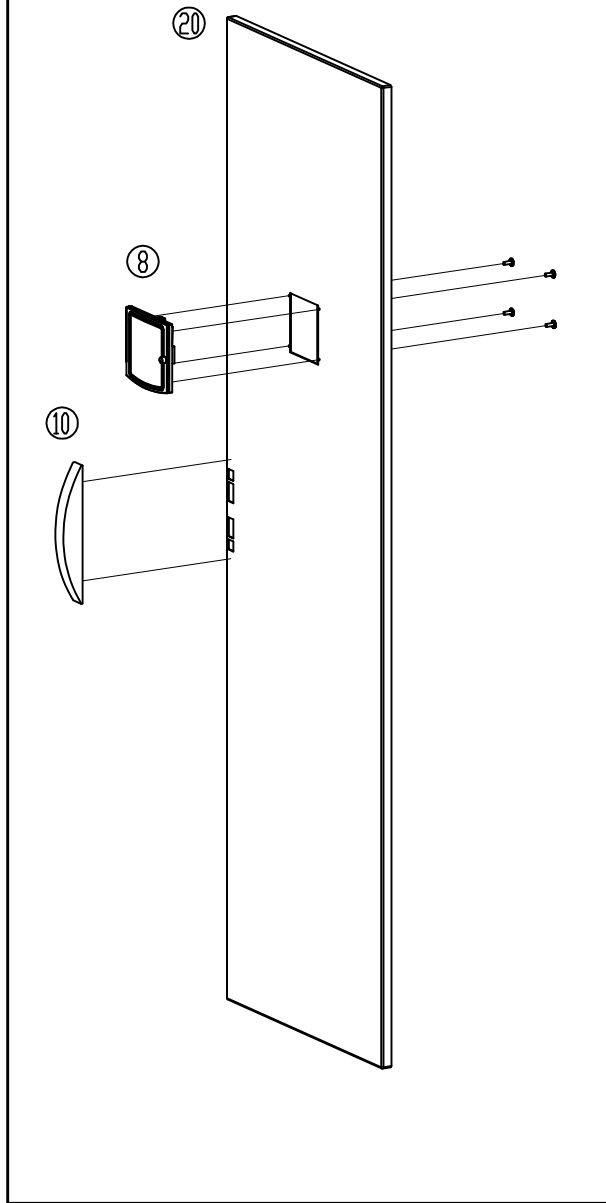




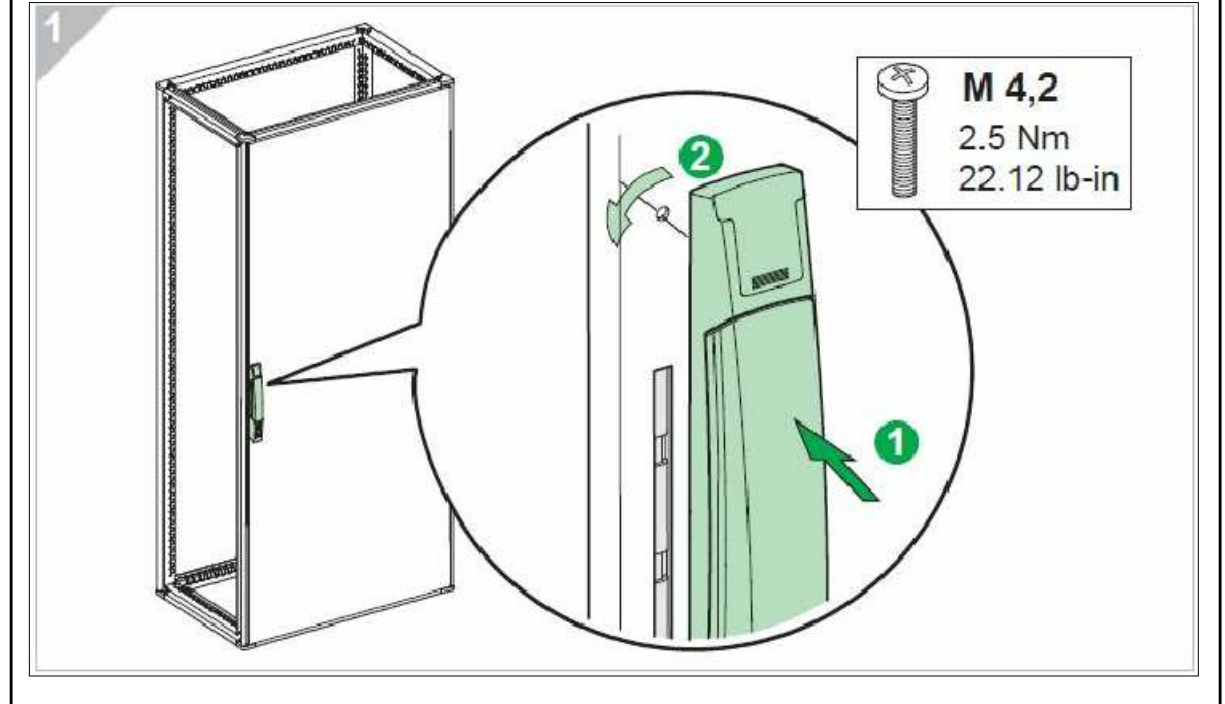
30



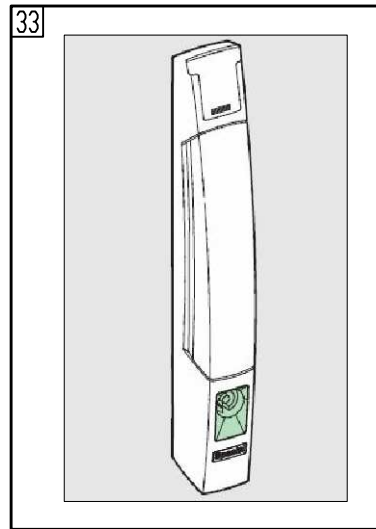
33



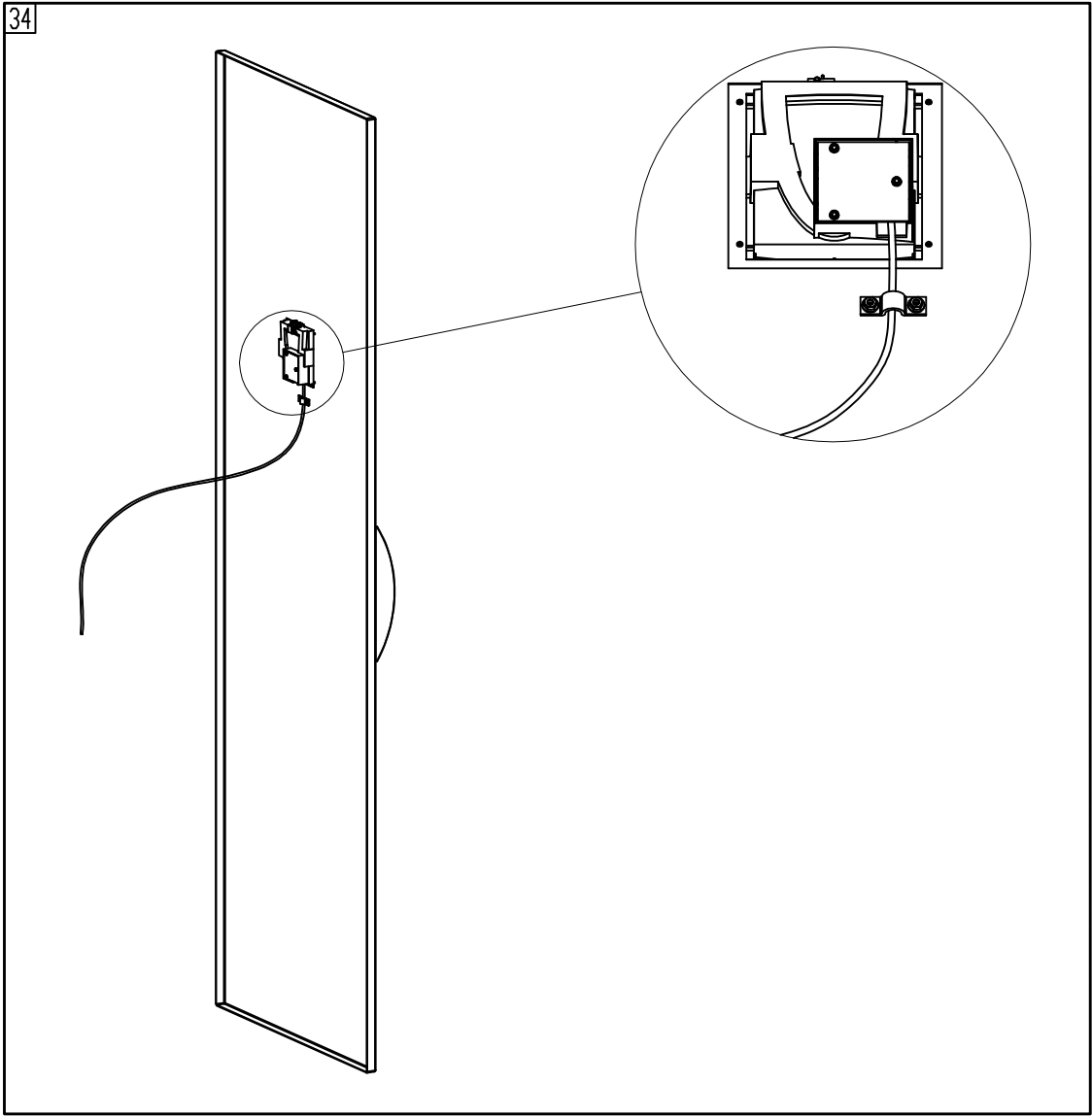
32



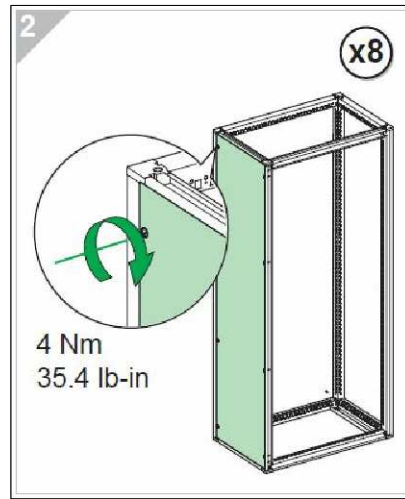
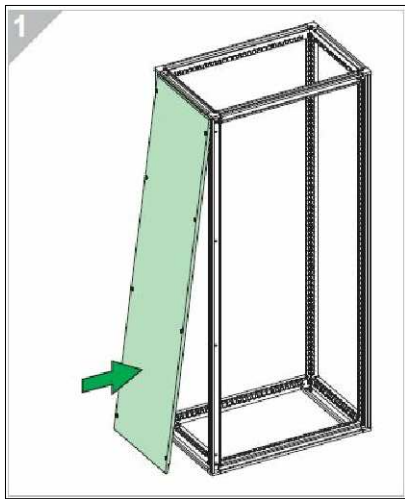
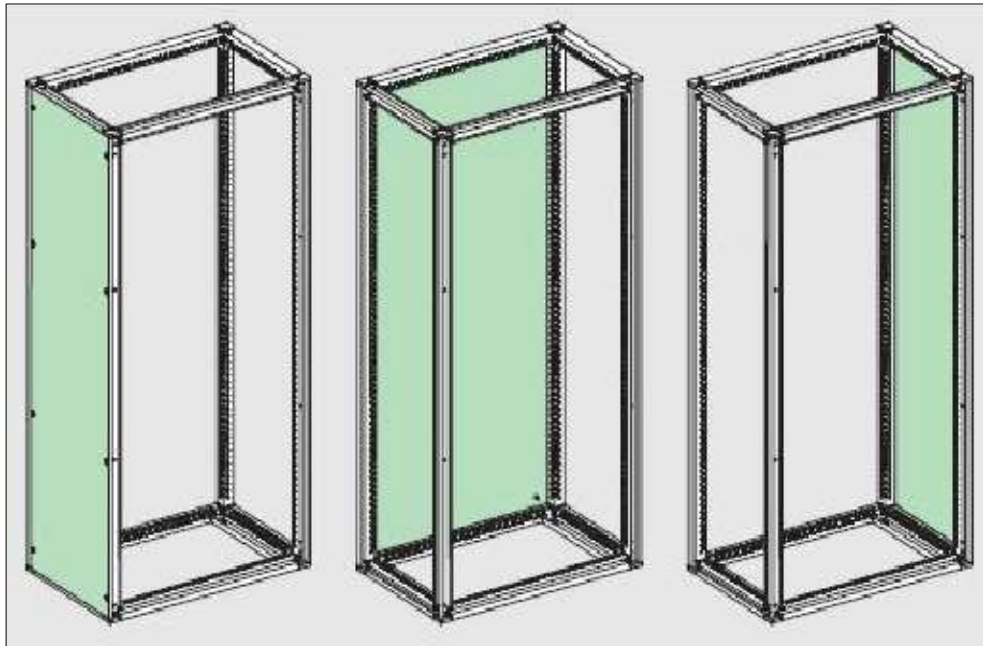
33



34

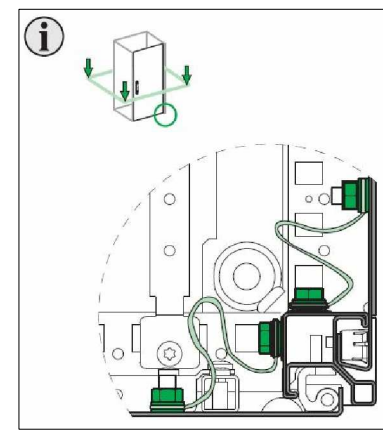
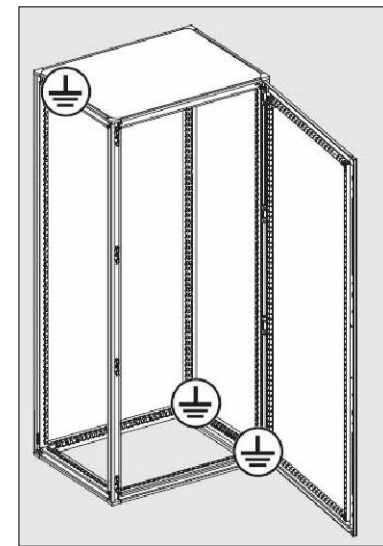


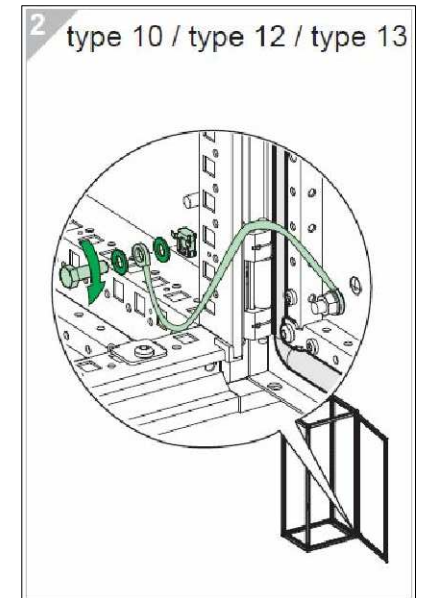
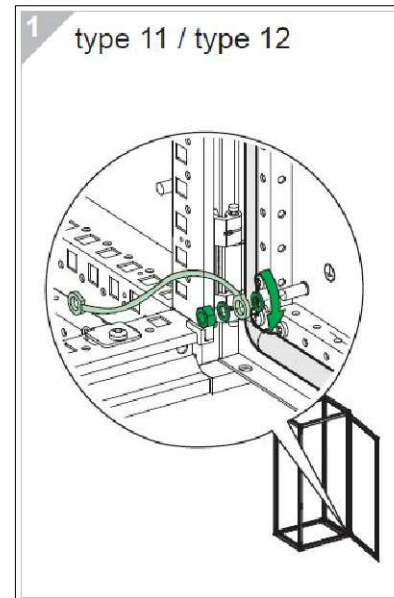
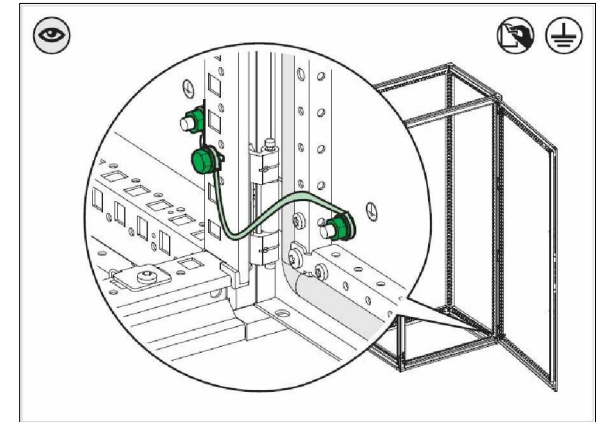
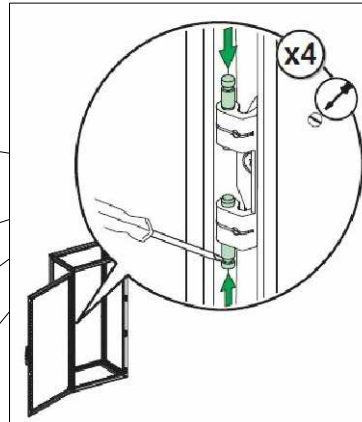
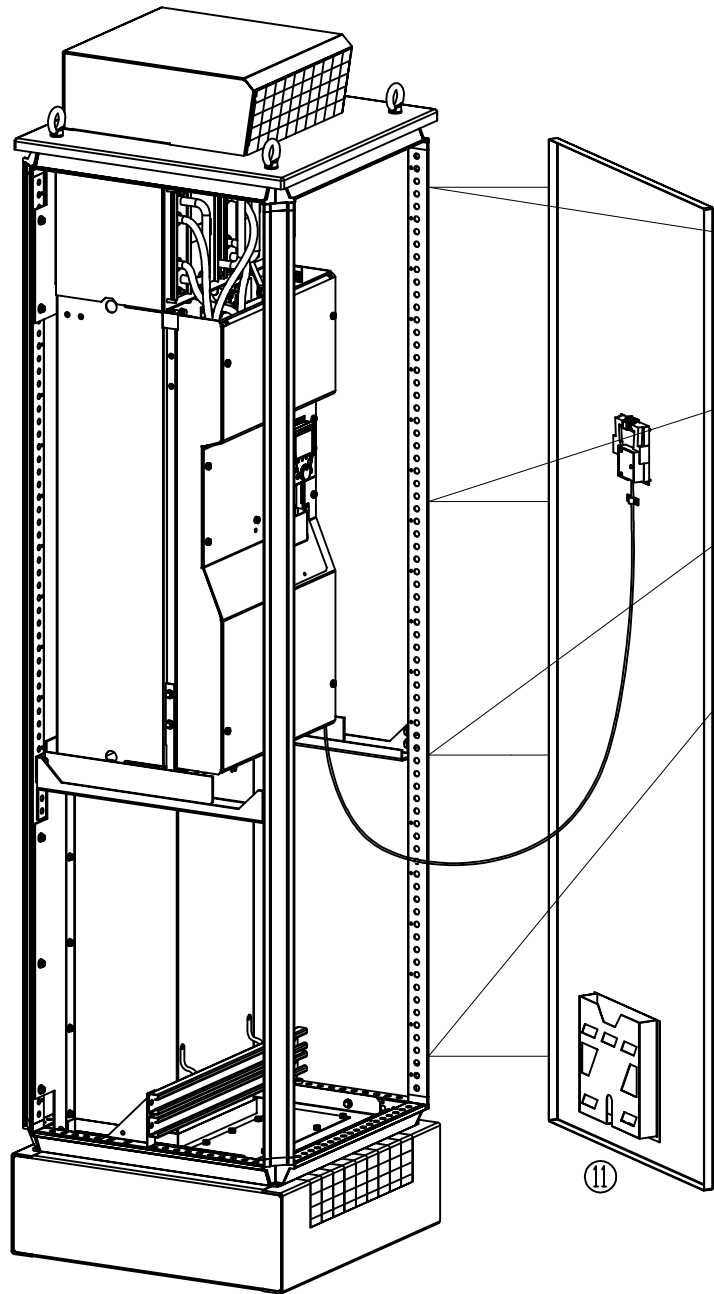
35

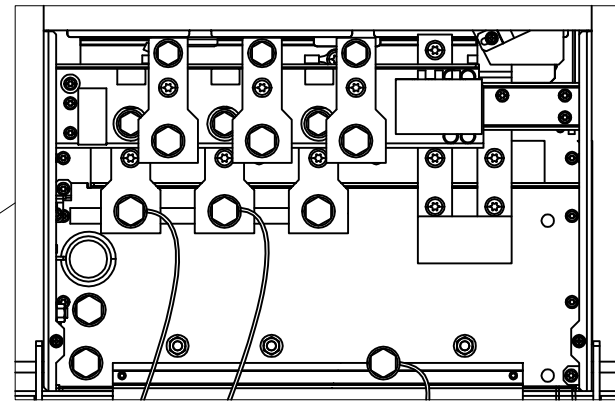
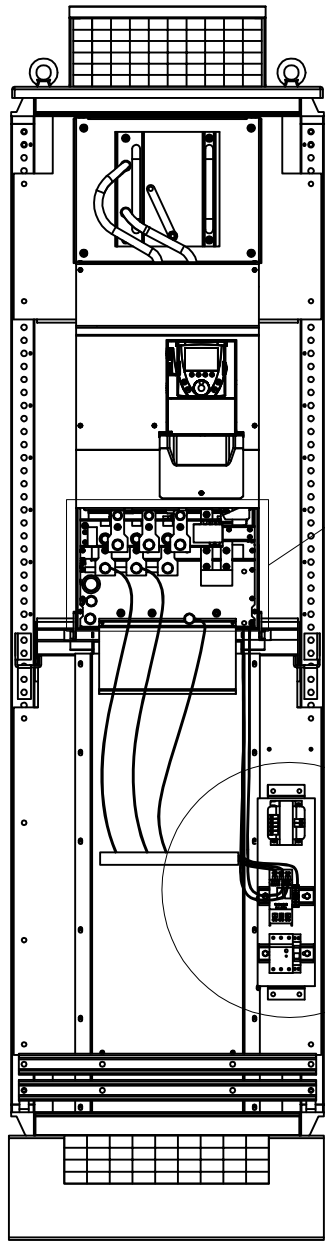


4 Nm
35.4 lb-in

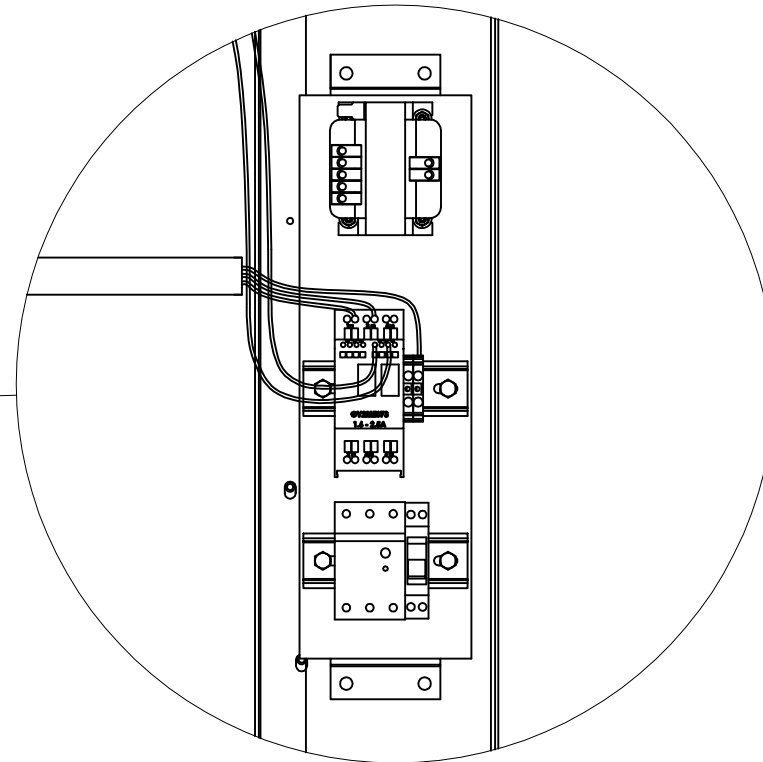
36



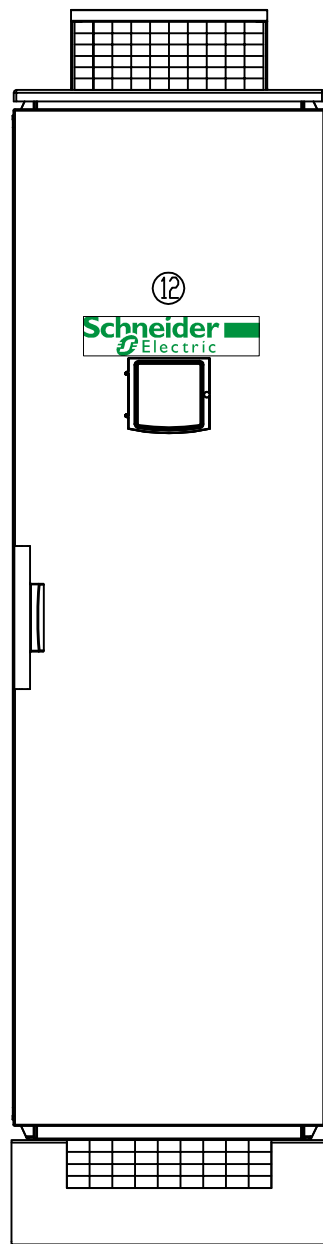




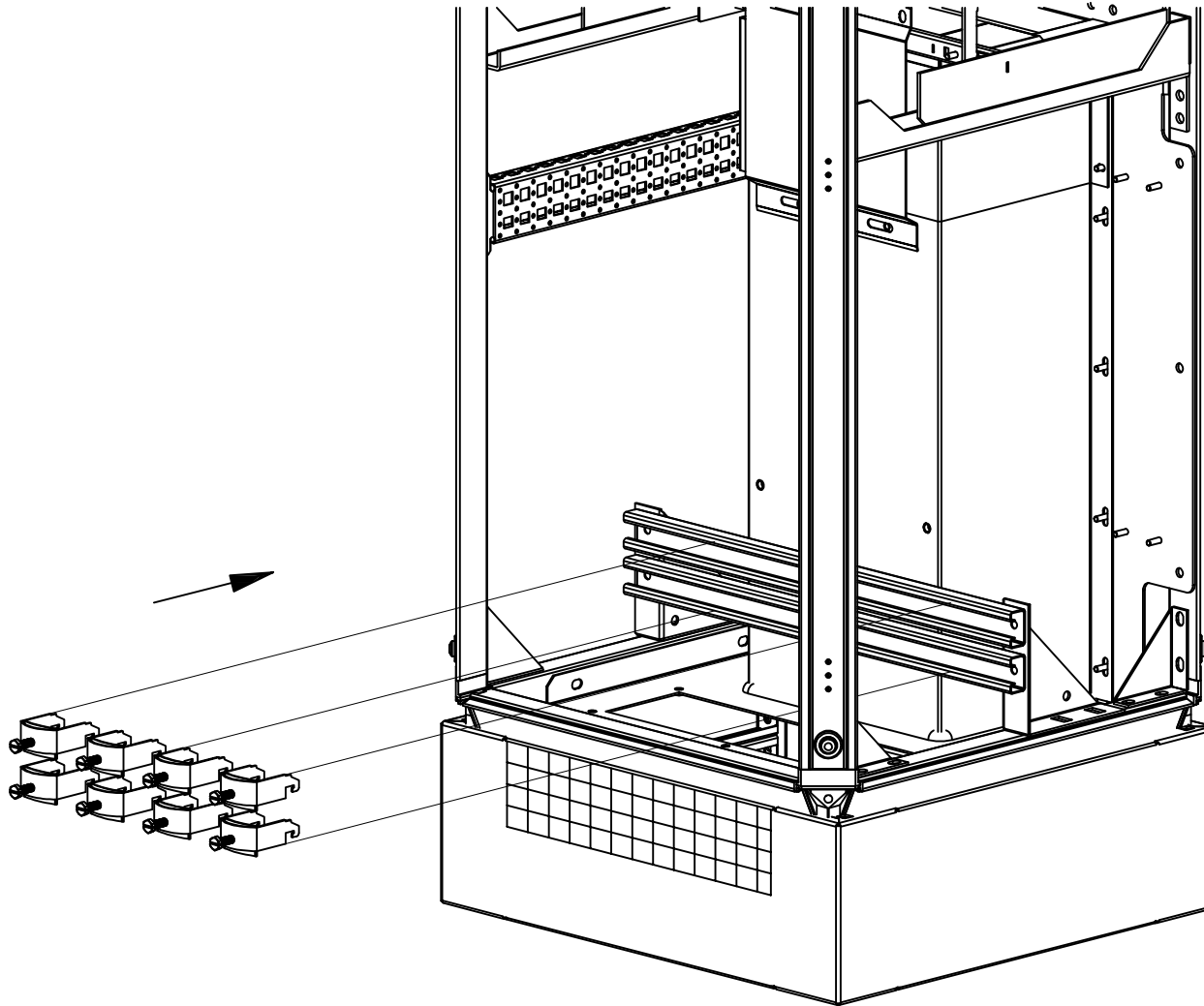
L1/R L2/S PE



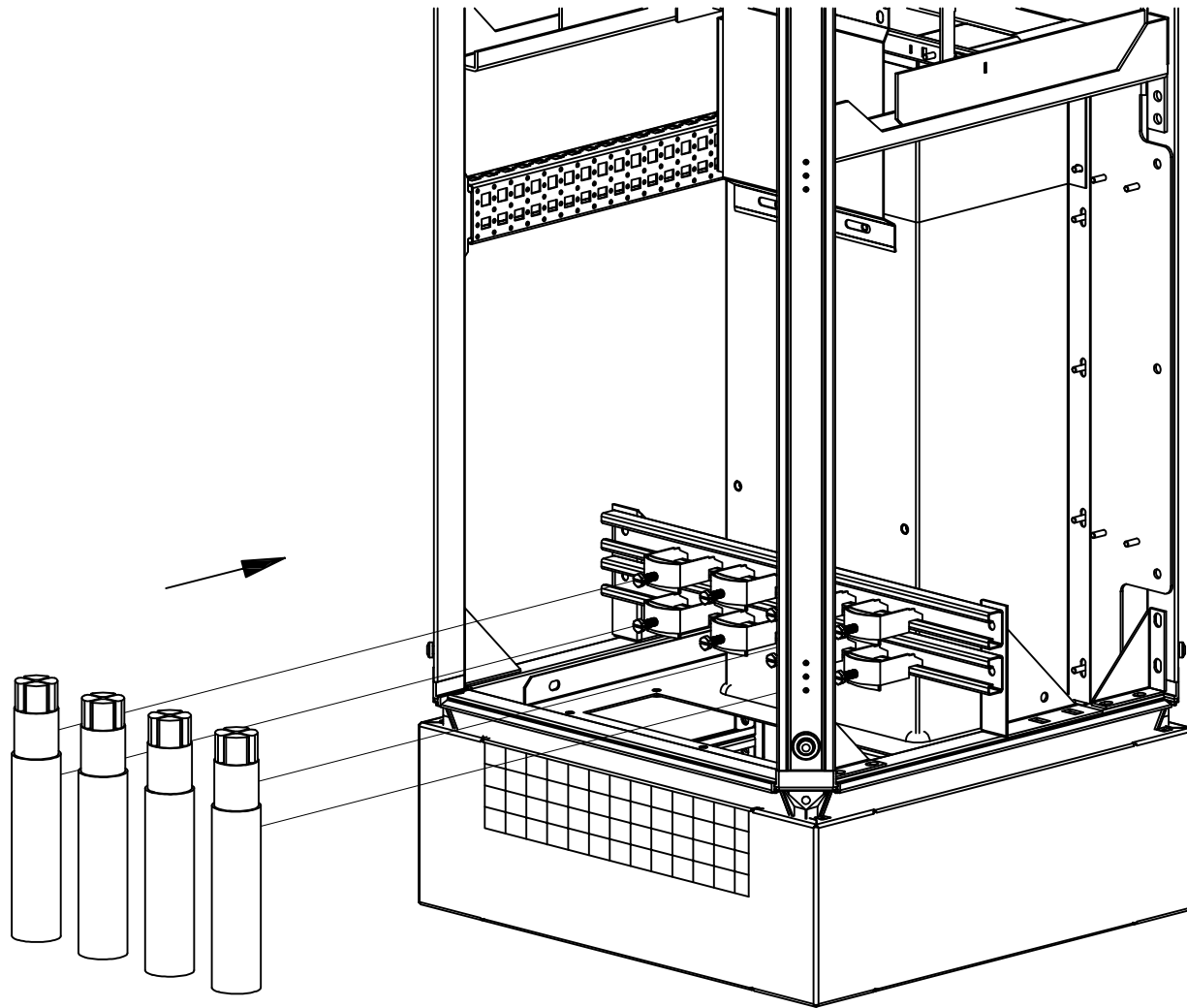
39



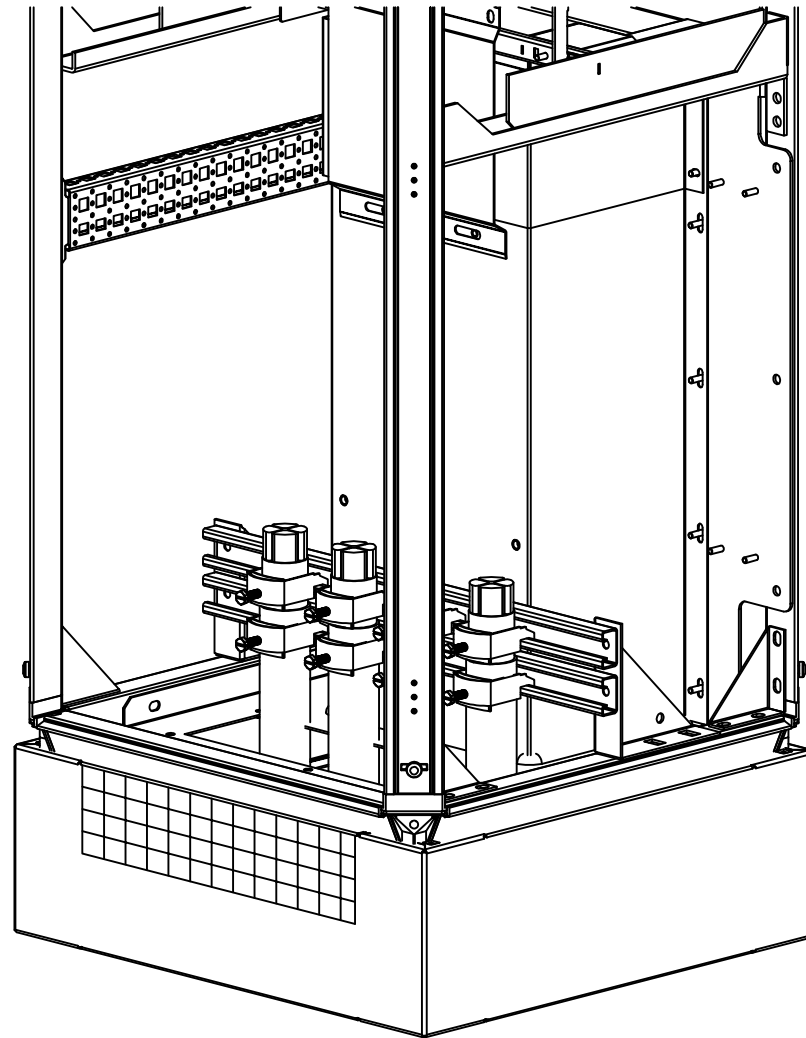
1



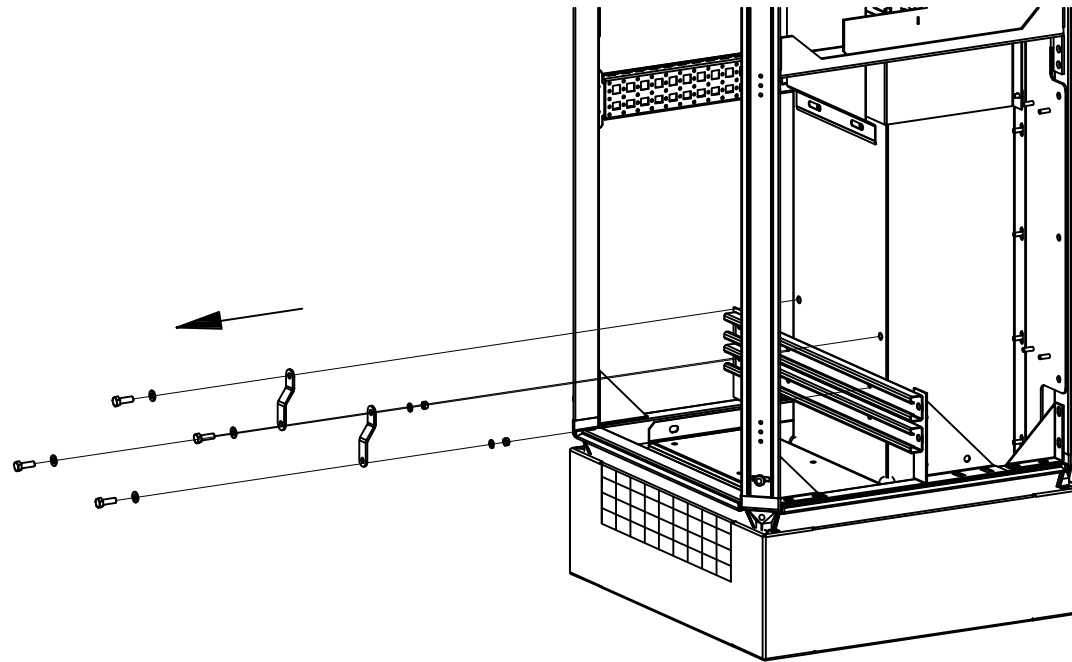
2



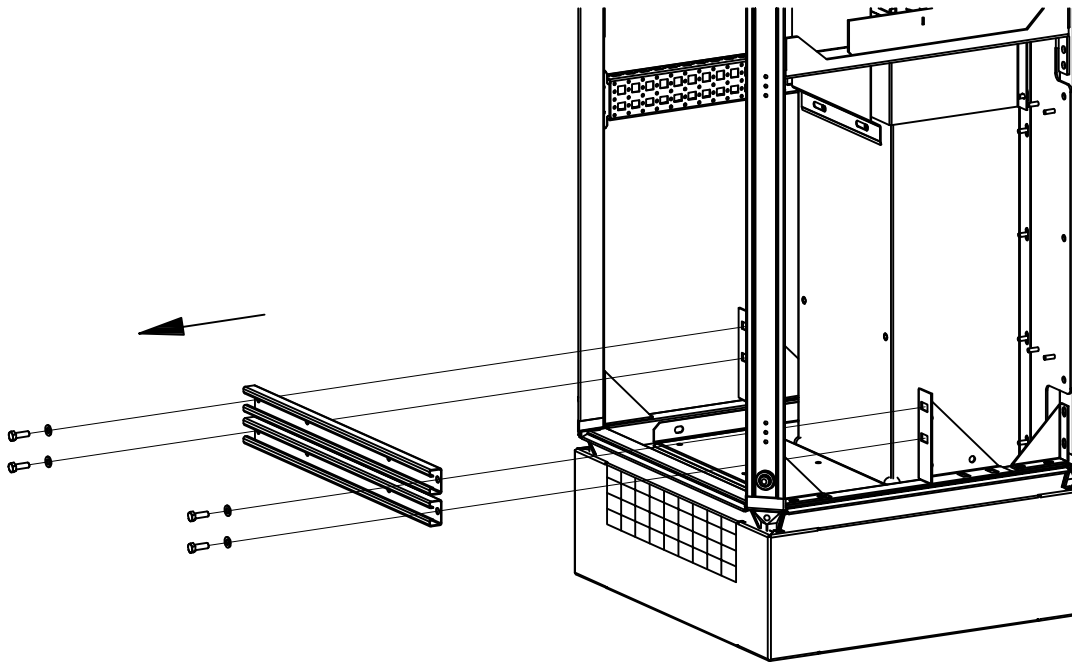
3



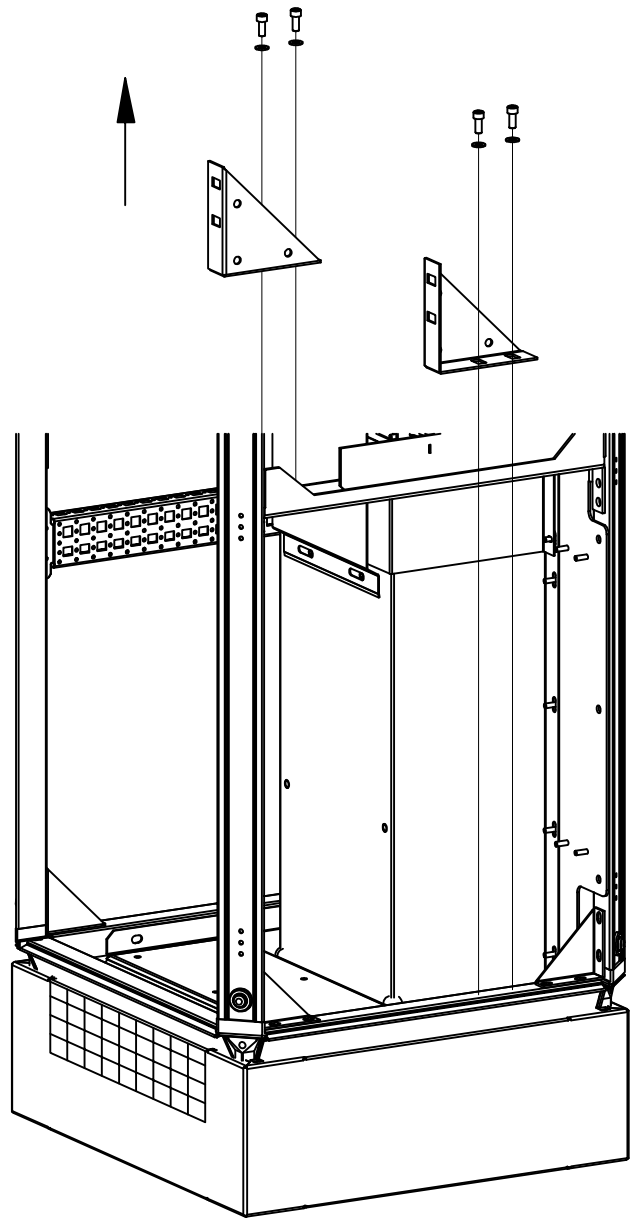
4



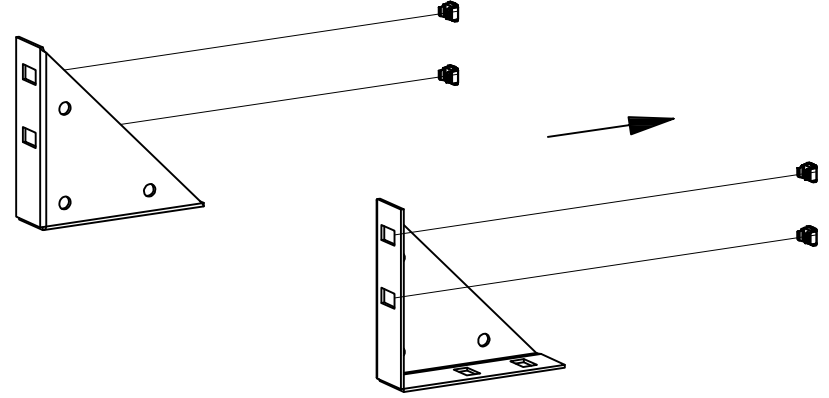
5



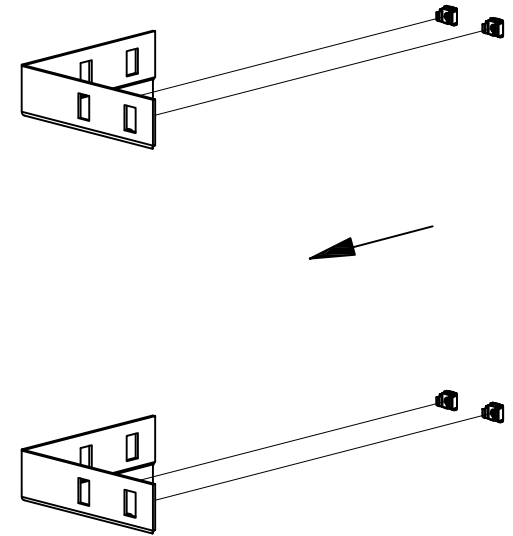
6

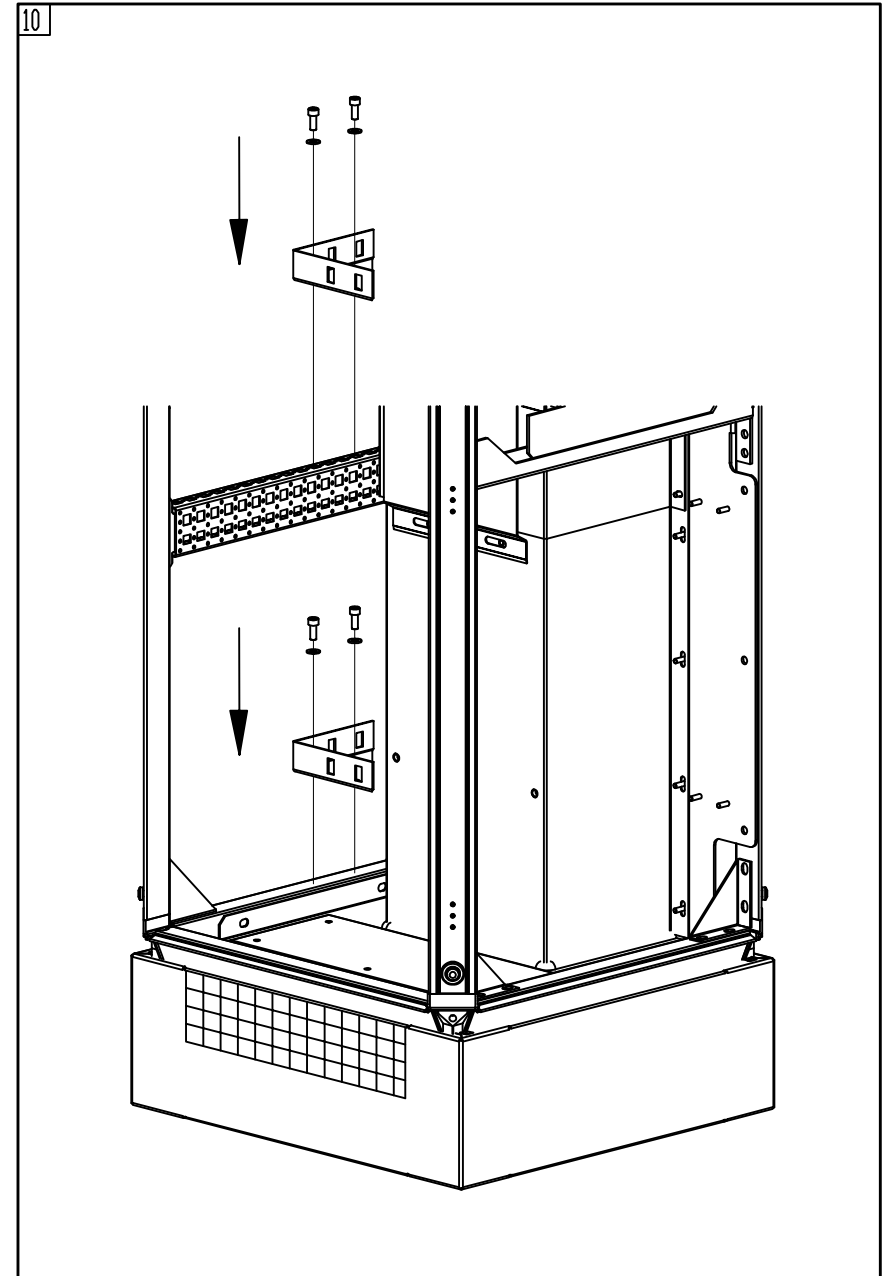
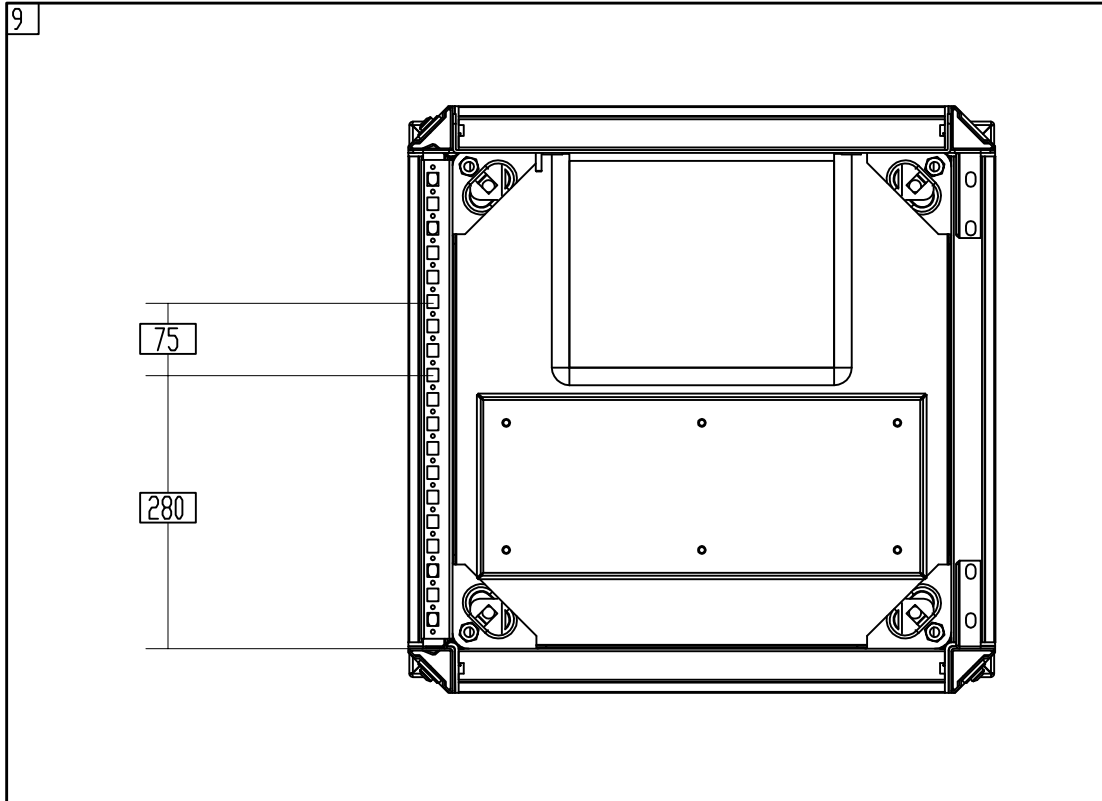


7

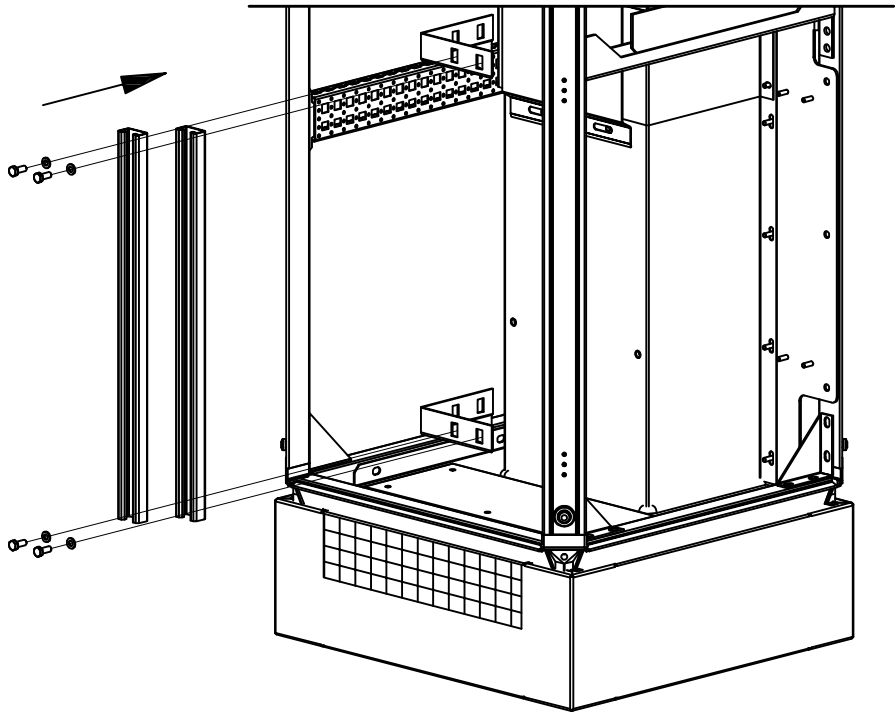


8

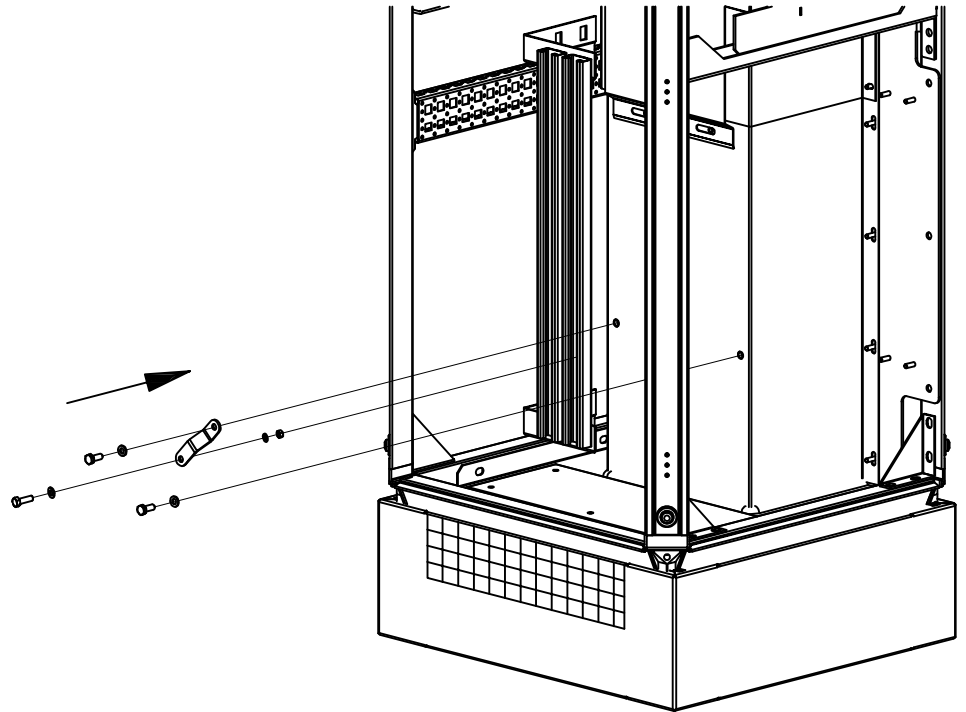




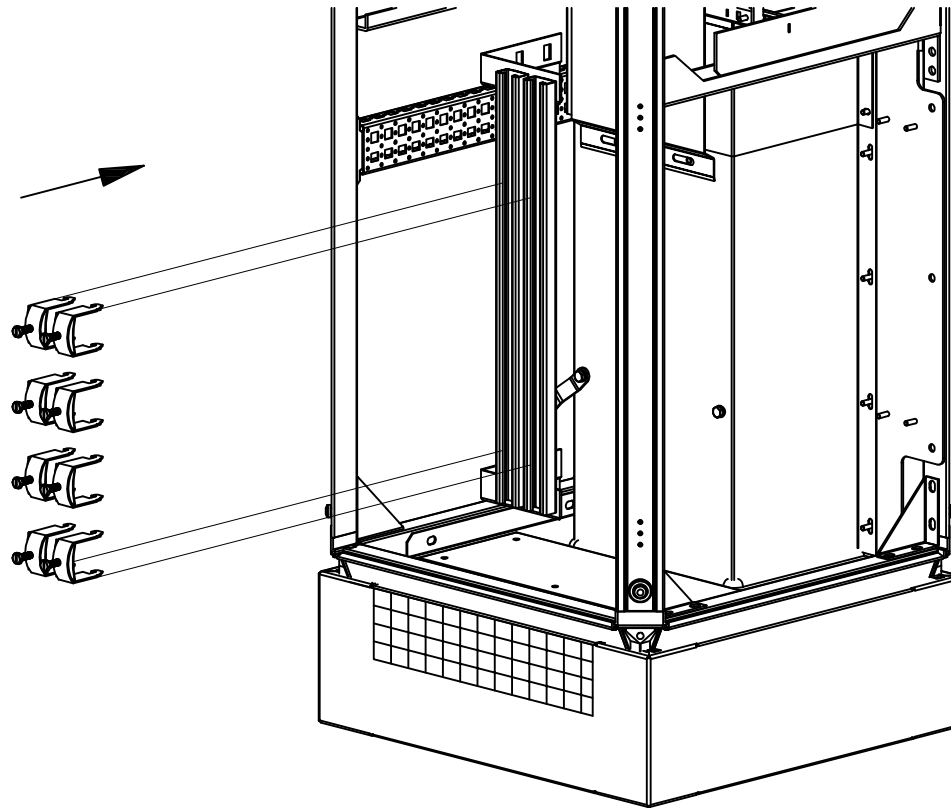
11



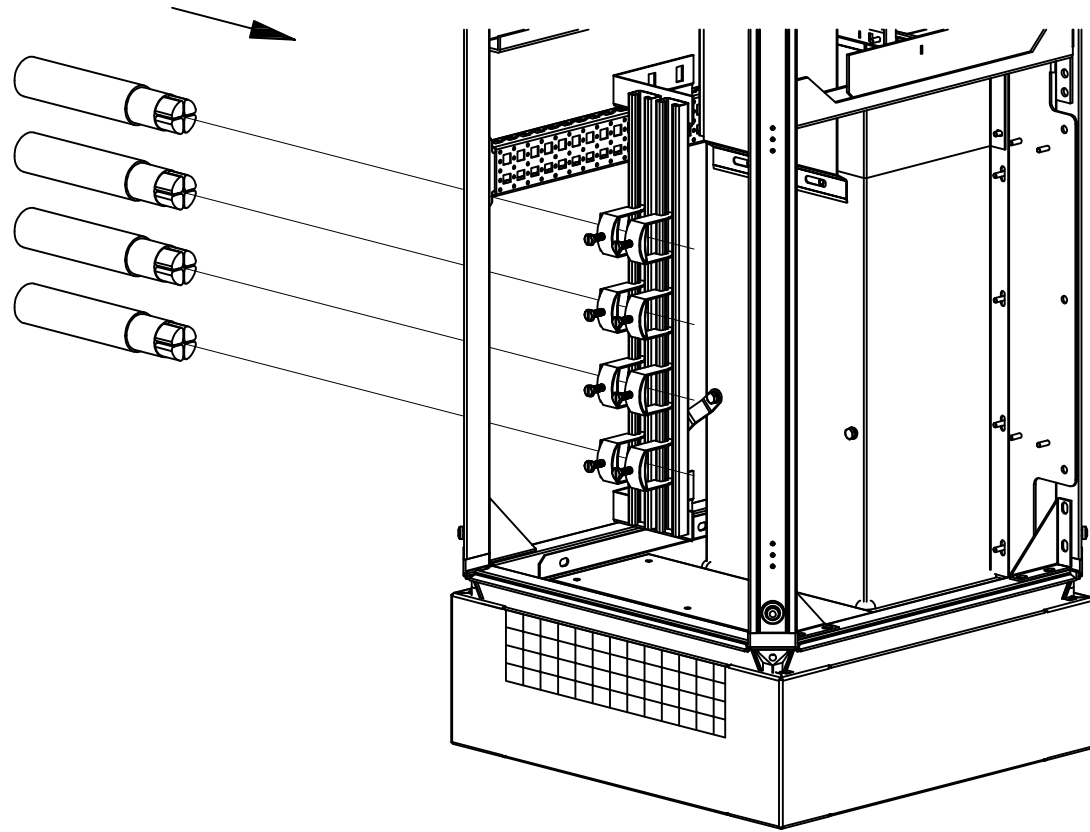
12



13



14



15

