

# I-Line™ Circuit Breaker Power Distribution Panelboards



**Tableros de distribución de alimentación con interruptores automáticos I-Line™**

**Panneaux de distribution d'alimentation à disjoncteurs I-Line™**

Instruction Bulletin  
Boletín de instrucciones  
Directives d'utilisation  
80043-309-20 Rev. 08

**Retain for future use. /  
Conservar para uso futuro. /  
À conserver pour usage ultérieur.**



by **Schneider** Electric



# I-Line™ Circuit Breaker Power Distribution Panelboards

## Information Manual

### Class 2110

ENGLISH

Instruction Bulletin  
80043-309-20 Rev. 08

Retain for future use.



by Schneider Electric

## Hazard Categories and Special Symbols



Read these instructions carefully and look at the equipment to become familiar with the device before trying to install, operate, service, or maintain it. The following special messages may appear throughout this bulletin or on the equipment to warn of potential hazards or to call attention to information that clarifies or simplifies a procedure.

The addition of either symbol to a “Danger” or “Warning” safety label indicates that an electrical hazard exists which will result in personal injury if the instructions are not followed.

This is the safety alert symbol. It is used to alert you to personal injury hazards. Obey all safety messages that follow this symbol to avoid possible injury or death.

### **DANGER**

**DANGER** indicates an imminently hazardous situation which, if not avoided, **will result in death or serious injury.**

### **WARNING**

**WARNING** indicates a potentially hazardous situation which, if not avoided, **can result in death or serious injury.**

### **CAUTION**

**CAUTION** indicates a potentially hazardous situation which, if not avoided, **can result in minor or moderate injury.**

### **NOTICE**

**NOTICE** is used to address practices not related to physical injury. The safety alert symbol is not used with this signal word.

**NOTE:** Provides additional information to clarify or simplify a procedure.

#### Please Note

Electrical equipment should be installed, operated, serviced, and maintained only by qualified personnel. No responsibility is assumed by Schneider Electric for any consequences arising out of the use of this material.

## Table of Contents

Introduction . . . . .	6
Safety Precautions . . . . .	6
Installation . . . . .	7
Interior Mounting into Square D Brand Enclosures . . . . .	7
Surface Mounting (Enclosure Mounted on Wall) . . . . .	8
Flush Mounting (Enclosure Recessed in Wall) . . . . .	8
Neutral Bonding Strap Installation . . . . .	10
Standard Neutral Bonding Strap Installation . . . . .	11
Neutral with Current Transformer Bonding Strap Installation . . . . .	12
I-Line Circuit Breaker Installation and Removal . . . . .	12
I-Line Circuit Breaker Installation . . . . .	13
I-Line Circuit Breaker Removal . . . . .	14
Circuit Breaker Reset Instructions . . . . .	15
Interior Trim Barrier Preparation . . . . .	15
I-Line Stack Assemblies . . . . .	16
I-Line Solid Neutral Assemblies . . . . .	16
Panelboards Equipped with Motor Operators for PowerPact H and J Frame Circuit Breakers . . . . .	17
Appendix 1: Specifications . . . . .	18
Typical Wiring . . . . .	18
Panelboard Ratings . . . . .	19
Additional Short Circuit Current Ratings . . . . .	28
CE Marking . . . . .	33
Appendix 2: Accessory Kits . . . . .	33
Equipment Ground Bar Kits . . . . .	34
Mechanical Interlock Kits . . . . .	34
Main Lug Kits . . . . .	35
Circuit Breaker Lug Kits . . . . .	36
Extension Kits . . . . .	37

## Introduction

This bulletin contains instructions for installing Square D™ brand I-Line™ circuit breaker panelboards. These panelboards are Underwriters Laboratories (cULus) listed and accept I-Line branch circuit breakers.



For technical support on the installation of this panelboard, contact Schneider Electric customer support at 1-888-778-2733.



See the labels on the equipment for rating and safety information. Additional equipment labels are provided with this document.

## Safety Precautions

### **⚠ DANGER**

#### **HAZARD OF ELECTRIC SHOCK, EXPLOSION, OR ARC FLASH**

- Apply appropriate personal protective equipment (PPE) and follow safe electrical work practices. See NFPA 70E, CSA Z462, or NOM-029-STPS.
- This equipment must only be installed and serviced by qualified electrical personnel.
- Turn off all power supplying this equipment before working on or inside the equipment.
- Always use a properly rated voltage sensing device to confirm all power is off.
- Read and understand this entire instruction bulletin and the latest edition of the included NEMA PB 1.1 standards publication before installing, operating, or maintaining this equipment.
- Local codes vary, but are adopted and enforced to promote safe electrical installations. A permit may be needed to do electrical work, and some codes may require an inspection of the electrical work.
- Replace all devices, doors, and covers before turning on power to this equipment.

**Failure to follow these instructions will result in death or serious injury.**



**WARNING:** This product can expose you to chemicals including Nickel compounds, which are known to the State of California to cause cancer, and Bisphenol A (BPA), which is known to the State of California to cause birth defects or other reproductive harm. For more information go to [www.P65Warnings.ca.gov](http://www.P65Warnings.ca.gov).

## Installation

This section provides instructions for the following I-Line panelboard procedures:

- Interior Mounting into Square D Brand Enclosures, on page 7
- Neutral Bonding Strap Installation, on page 10
- I-Line Circuit Breaker Installation and Removal, on page 12
- Interior Trim Barrier Preparation, on page 15

### Interior Mounting into Square D Brand Enclosures

A separate standards publication, titled “General Instructions for Proper Installation, Operation, and Maintenance of Panelboards Rated 600 Volts or Less” (NEMA PB1.1-2007), has been provided with this equipment. Familiarize yourself with the content of this document before proceeding with any of the following procedures.

If you did not receive a copy of this document, or if you have any questions regarding this equipment, contact your local distributor or Schneider Electric representative.

## ***NOTICE***

### **HAZARD OF EXCESSIVE HEAT DUE TO LOOSE CONNECTIONS**

- Ensure all connections are properly tightened.
- Refer to the torque information label provided on the panelboard before tightening the connections.

**Failure to follow these instructions can result in equipment damage.**

To properly mount and install the I-Line panelboard enclosure, please refer to the NEMA PB 1.1-2007 standards publication, and follow the

instructions below for either “Surface Mounting (Enclosure Mounted on Wall)” or “Flush Mounting (Enclosure Recessed in Wall).”

I-Line panelboards must be installed with the bus stack in the vertical orientation only.

#### Surface Mounting (Enclosure Mounted on Wall)

1. Mount the enclosure as instructed in the NEMA PB 1.1 standards publication.
2. Install one elevating nut on each enclosure stud.
3. Remove the interior trim from the trim brackets.
4. Install the interior as described below:
  - a. Set the interior on the enclosure studs and secure with flange nuts (see Figure 1). A screwdriver blade may be inserted in the elevating nut slot to facilitate adjustment.
  - b. Adjust each elevating nut to maintain a maximum distance of 0.125 in. between the interior trim and the front/door assembly.
  - c. Tighten the flange nuts against the pan.
  - d. Remount the interior trim after wiring.
5. If used as service entrance equipment, neutral bonding is required (see “Neutral Bonding Strap Installation” on page 10).
6. Apply equipment labels (located in the bag assembly) as directed by the instructions on the back of the equipment label sheet.

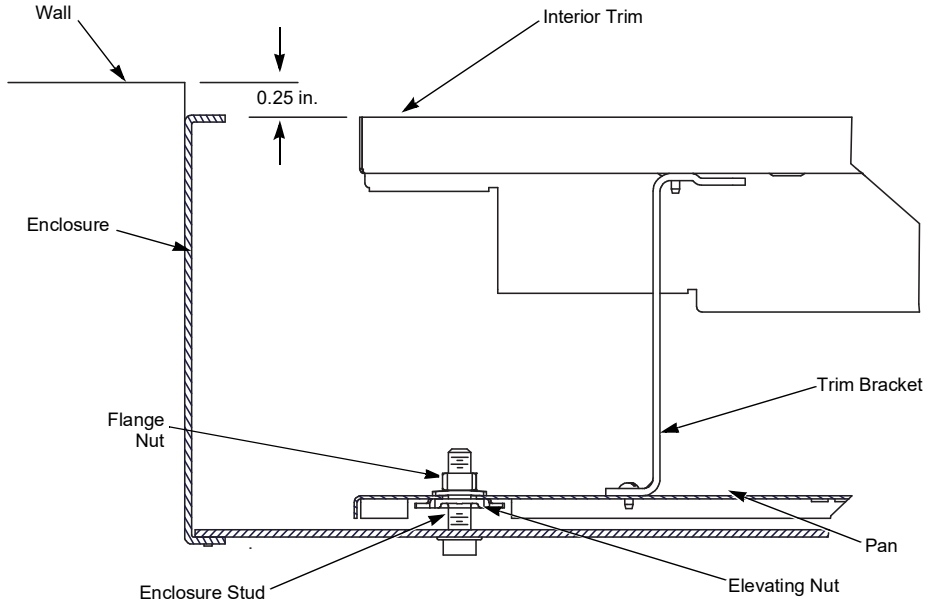
#### Flush Mounting (Enclosure Recessed in Wall)

1. Mount the enclosure as instructed in the NEMA PB 1.1-2007 standards publication.
2. Install one elevating nut on each enclosure stud.
3. Remove the interior trim from the trim brackets.
4. Install the interior as described below:
  - a. Set the interior on the enclosure studs and secure with flange nuts (see Figure 1 on page 9). A screwdriver blade may be inserted in the elevating nut slot to facilitate adjustment.
  - b. Adjust each elevating nut to position the lip of the interior trim approximately 0.25 in. from the outside wall line.
  - c. Tighten the flange nuts against the pan.
  - d. Remount the interior trim after wiring.



5. If used as service entrance equipment, neutral bonding is required. See the “Neutral Bonding Strap Installation” instructions on page 10.
6. Apply equipment labels (located in the bag assembly) as directed by the instructions on the back of the equipment label sheet.

**Figure 1: Interior Mounting into Square D Brand Enclosures**



## Neutral Bonding Strap Installation

The neutral bonding strap should be used only when the panelboard is **installed** as service equipment.

To properly bond the neutral to the panelboard, follow the instructions for either “Standard Neutral Bonding Strap Installation” or “Neutral with Current Transformer Bonding Strap Installation” on pages 11 and 12, respectively.

For field installation of I-Line Neutral assembly, please see Schneider Electric Instruction Manual 80043-846-01, Neutral Assembly Kits Installation Instructions.

### **DANGER**

#### **HAZARD OF ELECTRIC SHOCK, EXPLOSION, OR ARC FLASH**

- Apply appropriate personal protective equipment (PPE) and follow safe electrical work practices. See NFPA 70E, CSA Z462, or NOM-029-STPS.
- Turn off all power supplying this equipment before working on or inside the equipment.
- This equipment must only be installed and serviced by qualified electrical personnel.
- Always use a properly rated voltage sensing device to confirm all power is off.
- The main bonding strap should be used only when the panelboard is installed as service equipment.
- Do not mix the mounting screws with the interior trim screws.

**Failure to follow these instructions will result in death or serious injury.**

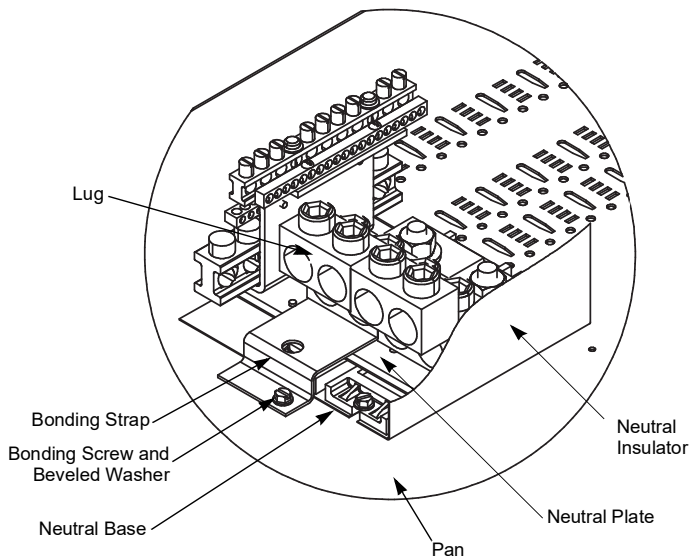
**NOTE:** The bonding strap parts are found in the bag assembly provided with the interior for ready to install panelboards and only included with factory assembled panelboards when service entrance is selected.

## Standard Neutral Bonding Strap Installation

To install a neutral bonding strap on an I-Line panelboard, refer to Figure 2 and follow the instructions below.

1. Remove lug. Retain lug and fastening hardware.
2. Place bonding strap between neutral plate and lug, as shown.
3. Secure bonding strap to pan with bonding screw and beveled washer. Tighten the bonding screw to 65–75 lb-in (7.3–8.5 N•m).
4. Reinstall lug with the hardware retained in step 1. Tighten to 60–70 lb-in (6.8–7.9 N•m).

**Figure 2: Standard Neutral Bonding Strap Installation**



## Neutral with Current Transformer Bonding Strap Installation

To install a neutral bonding strap on an I-Line panelboard with a current transformer, refer to Current Transformer Neutral Bonding Installation Instructions, Schneider Electric document 80043-706-xx or 80043-789-xx, that is supplied with the current transformer neutral.

## I-Line Circuit Breaker Installation and Removal

### **DANGER**

#### **HAZARD OF ELECTRIC SHOCK, EXPLOSION, OR ARC FLASH**

- Apply appropriate personal protective equipment (PPE) and follow safe electrical work practices. See NFPA 70E, CSA Z462, or NOM-029-STPS.
- This equipment must only be installed and serviced by qualified electrical personnel.
- Turn off all power supplying this equipment before working on or inside equipment.
- Always use a properly rated voltage sensing device to confirm that all power is off.
- All unused spaces must be filled with blank fillers.
- Replace all devices, doors, and covers before turning on power to this equipment.

**Failure to follow these instructions will result in death or serious injury.**

## I-Line Circuit Breaker Installation

Refer to Figure 3 on page 14 for the following instructions:

1. Turn off all power to the panelboard.
2. Remove the interior trim barrier.
3. Turn the circuit breaker off. Position the circuit breaker jaws against the bus bar stack so the guiding boss on the bottom of the circuit breaker is oriented towards the alignment groove in the bus insulator base, and the “fingers” of the circuit breaker mounting bracket fit into the keyslots in the pan.
4. Place a screwdriver through the rectangular hole in the circuit breaker mounting bracket and into the screwdriver slot in the mounting pan. Ratchet the circuit breaker firmly into the bus bar stack and align the retaining screw with the 7/32 in. (5.6 mm) mounting hole in the pan.
5. Tighten the retaining screw securely to prevent the circuit breaker from moving.
6. **For main circuit breakers only:**  
Attach the “Main Breaker” label to the circuit breaker cover.
7. Reinstall the interior trim barrier.
8. Re-energize the panelboard.
9. Turn the circuit breaker on.

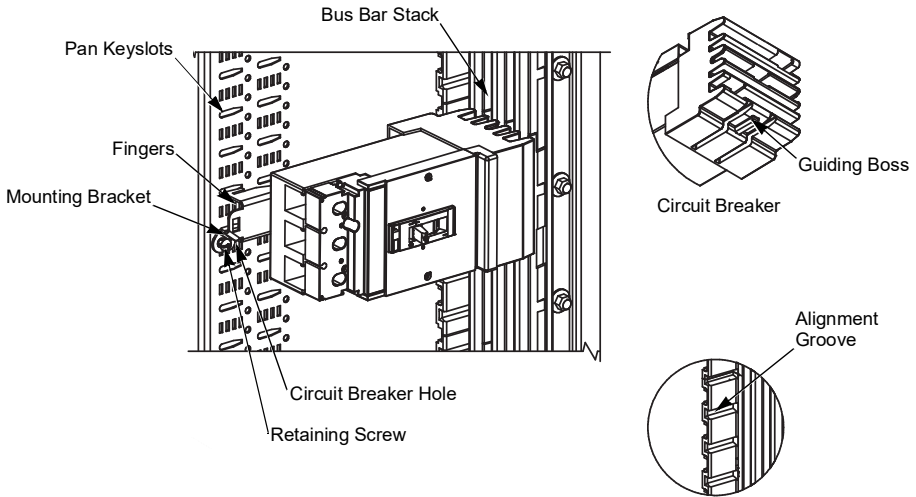
**NOTE:** Install the main circuit breaker adjacent to the main lugs.

**NOTE:** Ensure the retaining screw is tight, but do not tighten it enough to bend the mounting bracket.

**NOTE:** I-Line circuit breakers are supplied with factory-applied joint compound on the plug-on connectors. The compound must not be removed because it contributes to the overall performance of the connection.

Whenever an I-Line circuit breaker is removed and reinstalled, the joint compound must be reapplied. A two-ounce container of compound especially formulated for I-Line plug-on connectors is available for purchase (catalog number PJC-7201).

**Figure 3: I-Line Circuit Breaker Installation and Removal**



### I-Line Circuit Breaker Removal

Refer to Figure 3 for the following instructions:

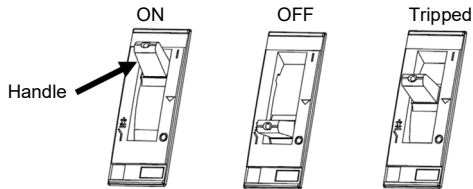
1. Turn off all power to the panelboard.
2. Turn the circuit breaker off.
3. Remove the interior trim barrier.
4. Loosen the retaining screw(s) in the circuit breaker mounting bracket until the screw(s) is completely removed from the 7/32 in. (5.6 mm) mounting hole in the mounting pan.
5. Place the screwdriver through the rectangular hole in the circuit breaker mounting bracket and into the screwdriver slot in the mounting pan. Ratchet the circuit breaker away from the bus bar stack.
6. Lift the circuit breaker away from the bus bars.
7. Install blank fillers, identified on the information label on the back of the deadfront or current Square D Digest, where the circuit breaker was removed.
8. Secure the blank filler extensions to the interior trim barrier (HCPSU, HCP, and HCRU panelboards only), using Table 1 on page 19 for reference. Mount the extension over the mounting bracket in the deadfront as shown in instruction bulletin 80030-695-02.

9. Reinstall the interior trim barrier.
10. Re-energize the panelboard.

### Circuit Breaker Reset Instructions

If the circuit breaker is tripped, the handle will be at the mid-position between ON and OFF. To reset the circuit breaker, push the handle to the OFF position, then to the ON position.

**Figure 4: Circuit Breaker Handle Positions**



### Interior Trim Barrier Preparation

## **⚠ DANGER**

### **HAZARD OF ELECTRIC SHOCK, EXPLOSION, OR ARC FLASH**

- Before energizing the panelboard, all unused spaces must be filled with blank fillers.
- Replace all devices, doors, and covers before energizing this equipment.

**Failure to follow these instructions will result in death or serious injury.**

## I-Line Stack Assemblies

### ***NOTICE***

#### **RISK OF IMPROPER ASSEMBLY**

- Do not disassemble the I-Line Bus Stack Assembly.
- If maintenance is required, contact Schneider Electric.

**Failure to follow these instructions can result in severe equipment damage and will void the warranty.**

## I-Line Solid Neutral Assemblies

See I-Line Panelboards Neutral Assembly Kits Installation Instructions, 80043-846-01 for applicable neutral catalog numbers and installation instructions.



## Panelboards Equipped with Motor Operators for PowerPact H and J Frame Circuit Breakers

### DANGER

#### **HAZARD OF ELECTRICAL SHOCK, EXPLOSION, OR ARC FLASH**

- Apply appropriate personal protective equipment (PPE) and follow safe electrical work practices. See NFPA 70E, CSA Z462, or NOM-029-STPS.
- This equipment must be installed and serviced only by qualified electrical personnel according to OSHA 1910.331 through 1910.335.
- Turn off all power sources supplying this equipment and de-energize all primary and secondary circuits before working on or inside equipment.
- Locking the manual operation or locking the motor cover does not disconnect the secondary motor circuit.
- Always use a properly rated voltage-sensing device to confirm equipment is de-energized.
- Always practice lock-out tag-out procedures according to OSHA requirements.
- Do not disable, remove, or modify any mechanical, electrical interlock or safety feature.

**Failure to follow these instructions will result in death or serious injury.**

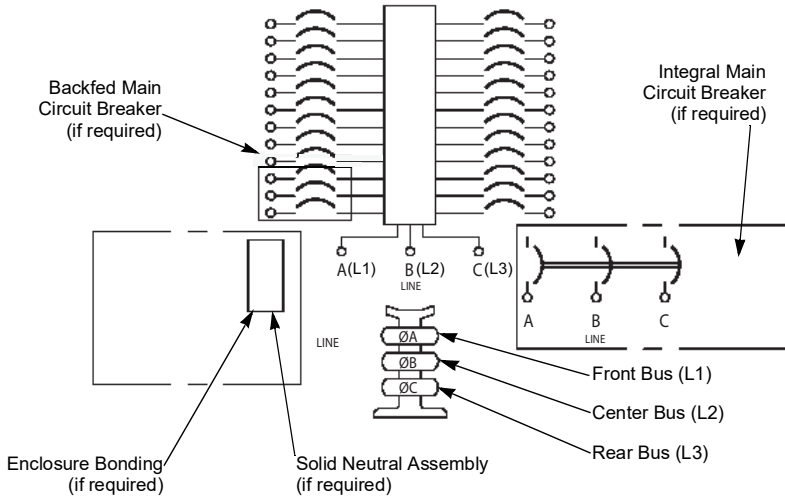
**NOTE: Panelboards for use in US service entrance applications installed after January 1st, 2017.**

Refer to instruction bulletin 80043-839-01 for information on service entrance barrier kits.

## Appendix 1: Specifications

### Typical Wiring

Figure 5: Main Lugs / Main Circuit Breaker Wiring Diagram



**NOTE:** For 1Ø systems, the center bus is not used.

**NOTE:** Branch connections phasing is determined by the circuit breaker selected. See the latest catalog or the Digest for circuit breaker selection.

**NOTE:** Assure that the circuit breaker voltage rating is appropriate for the system. With the selection of proper units, any of the listed voltage systems can be used.

### Panelboard Ratings

Refer to NEC section 110-22, 2017 Edition and CEC rule 14-014, 2015 Edition for more information. The series rated system label is located in the bag assembly. Short circuit tests are conducted at 100–105% of the maximum panelboard voltage. Interiors with CE mark meet IEC 61439-1 and IEC 61439-2.

**Table 1: Series Connected Circuit Breaker Ratings (RMS Symmetrical)**

Maximum System Voltage AC <sup>2</sup>	Maximum Short Circuit Current Rating	Square D Brand Integral or Remote 2- or 3-Pole Main Circuit Breaker <sup>1</sup>	Square D Brand Branch Circuit Breaker		
			Catalog Designation	Poles	
120	42,000	MG	FY	1	
	65,000	QG, LH	FA, FD		
		QG, BG6, HG, JG, LG, MG, PG	BD6		
	100,000	FJ, QJ	FD		
		QJ, LC	FA		
		LJ	FH		
	125,000	QJ, BJ, HJ, JJ, LJ, MJ, PJ	BD6, BG6		
200,000	HL, JL, LL	BD6, BG6, BJ			
HR, JR	BD6, BG6, BJ				
208Y/120	65,000	QG, BG6, HG, JG, LG, MG, PG	BD6	2, 3	
	100,000	QJ	FA, FD		
		QJ, BJ, HJ, JJ, LJ, MJ, PJ	BD6, BG6		
		QJ, PH, PJ, RJ	QD, QG		
240	35,000	MG	FA	1	
	42,000	KA	FD	1, 2, 3	
		LA, MA	HD, JD, QD	2, 3	
	50,000	MG	FA		
		MG	FA (25 A Max.)	1	
	65,000	65,000	HG, JG	FA, HD	2, 3
			JG	JD, QD	
			QG	FA, FD, QD	
			QG, BG6, HG, JG, LG, MG, PG	BD6	
			LH, MH, PA, PG, RG	HD, JD, QD	
FG, FH, MH, MX, PJ			FD		
FC, KC, KH, LC, LH			FD, FG	1, 2, 3	
LH			FA		

**Table 1: Series Connected Circuit Breaker Ratings  
 (RMS Symmetrical) (Continued)**

Maximum System Voltage AC <sup>2</sup>	Maximum Short Circuit Current Rating	Square D Brand Integral or Remote 2- or 3-Pole Main Circuit Breaker <sup>1</sup>	Square D Brand Branch Circuit Breaker		
			Catalog Designation	Poles	
240	65,000	LH	LA	2, 3	
		MG	HD, JD, KA		
		DG	FH, HD, JD, KA, LA, MA		
		LG	HD, JD, KA, LA, MA		
		LG	LD	3	
	85,000	RL	FH, KH	2, 3	
	100,000		FC, KC, LC, LX	FD, FG, FJ	1
			PH, PJ, RJ	QD, QG	2, 3
			QJ	FD	2
			FJ	FD	2, 3
			LJ	HD, HG, JD, JG, FH, KA, LA, MA, MG	
			LJ	LD, LG	3
			FC, KC	FA, FH, FD, FG, FJ	2, 3
			LC, LX	FH, FD, FG, FJ	
			QJ, BJ, HJ, JJ, LJ, MJ, PJ	BD6, BG6	
			KC, LC, LX	KA	
			KC, LC	KH	
			LC	LA, LH, MG	
			LC	FA	1, 2, 3
			HJ, JJ	FA, FH, HD, HG	2, 3
			JJ	JD, JG	
			LC, LX, MJ, PJ, RJ	HD, HG, JD, JG	
			MJ	LA, LH	
			DJ	FH, HD, HG, JD, JG, KA, LA, MA, MG	
	RL	RG			
	HL, JL	HD, HG, HJ, FA, FH			
	JL	JD, JG, JJ			
	125,000		HL, JL, LL	BD6, BG6, BJ	
PC, PH, PL, RL			HD, HG, JD, JG		
PC, PL, RL			HJ, JJ		
FI, KI, LI, LXI			HD, HG, HJ		
KI, LI, LXI			JD, JG, JJ		

**Table 1: Series Connected Circuit Breaker Ratings  
(RMS Symmetrical) (Continued)**

Maximum System Voltage AC <sup>2</sup>	Maximum Short Circuit Current Rating	Square D Brand Integral or Remote 2- or 3-Pole Main Circuit Breaker <sup>1</sup>	Square D Brand Branch Circuit Breaker	
			Catalog Designation	Poles
240	200,000	FI, KI, LI, LXI	FD, FG, FJ	1
		FI, KI	FA, FH, FC, FD, FG, FJ	2, 3
		LI, LXI	FH, FD, FG, FJ	
		LI	FC	
		HR, JR, LR	BD6, BG6, BJ	
		KI, LI, LXI	KA, QD, QG, QJ	
		LI	KC	
		JR	QD	
		LR	HJ, HL, JJ, JL, FH, LA, LH, QD, QG, QJ	
277	18,000	LD	FY	
	25,000	FH, KA	FD	
	35,000	FG, KH, LH	FD	
		DG, LG	FH, FY	
		FC, KC	FH	
		BG6, HG, JG, LG, MG, PG	BD6	
		FJ	FD	
	65,000	FC, KC	FA, FY, FD, FG	
		LC, LX (400 A Max.)	FH	
		LC, LX (600 A Max.)	FY, FD, FG	
		DJ	FH, FY	
		LL	FY	
		LJ	FH, FY	
		BJ, HJ, JJ, LJ, MJ, PJ	BD6, BG6	
		FI, KI	FH	
	100,000	DL, LL	FH, FJ	
		HL, JL, LL	BD6, BG6, BJ	
	200,000	FI, KI	FA, FY, FD, FG, FJ	
		LI, LXI, (400 A Max.)	FH	
		LI, LXI, (600 A Max.)	FY, FD, FG, FJ	
HR, JR		BD6, BG6, BJ		

**Table 1: Series Connected Circuit Breaker Ratings (RMS Symmetrical) (Continued)**

Maximum System Voltage AC <sup>2</sup>	Maximum Short Circuit Current Rating	Square D Brand Integral or Remote 2- or 3-Pole Main Circuit Breaker <sup>1</sup>	Square D Brand Branch Circuit Breaker	
			Catalog Designation	Poles
480	22,000	MG	FA	2, 3
		MX, PA, PC, PX	FH	
	30,000	KH, LA, MA, PJ	FH	
		LA, MA, PA, PC, PX	KA	
		LA, MA, PA	HD, JD	
		MG	FA (25 A Max.), FH, KA	
		MX, PA	HD, JD	
		35,000	MH	
	HG, JG		FA, HD	
	JG		JD	
	LH, MG, PG, RG		HD, JD	
	BG6, HG, JG, LG, MG, PG		BD6	
	LH		HG, JG	
	DG		FH, HD, JD, KA, LA, MA	
	LG		LD	
	LG		HD, JD, FH, KA, LA, MA	
	42,000	MJ	FH (25 A Max.)	
		RL	RG	
	50,000	MJ	KA, KH	
	65,000	FC, KC	FA, FH	
		HJ, JJ	FA, FH, HD, HG	
		BJ, HJ, JJ, LJ, MJ, PJ	BD6, BG6	
		JJ	JD, JG	
		LC, LI, LX, LXI	HD, HG, JD, JG	
		LC, LX, (400 A Max.)	FH	
		KC, LC, LX	KA	
		LC, LX	LA	
		DJ	FH, HD, HG, JD, JG, KA, LA, MA	
LJ		LD, LG		
LJ		HD, HG, JD, JG, FH, KA, LA, MA		

**Table 1: Series Connected Circuit Breaker Ratings  
(RMS Symmetrical) (Continued)**

Maximum System Voltage AC <sup>2</sup>	Maximum Short Circuit Current Rating	Square D Brand Integral or Remote 2- or 3-Pole Main Circuit Breaker <sup>1</sup>	Square D Brand Branch Circuit Breaker		
			Catalog Designation	Poles	
480	100,000	HL, JL	FA, FH, HD, HG, HJ	2, 3	
		HL, JL, LL	BD6, BG6, BJ		
		JL	JD, JG, JJ		
		LI, LXI (600 A Max.)	KA		
		PC, PH, PL, RL	HJ, JJ		
		RL	RG		
		DL	FH, HD, HG, HJ, JD, JG, JJ, KA, LA, MA		
		LL	LD, LG, LJ		3
		LL	HD, HG, HJ, JD, JG, JJ, FH, KA, LA, MA		2, 3
	JR	FA			
	200,000	FI, KI	FA, FH, FC, HD, HG, HJ		
		KI	JD, JG, JJ, KA		
		HR, JR	BD6, BG6, BJ		
		LI	FC, KA, KC, LA, HJ, HL, JJ, JL		
		LXI	KA, HJ, HL, JJ, JL		
		HR	FA, HD, HG, HJ, HL		
		JR	HD, HG, HJ, HL, JD, JG, JJ, JL		
	LR	HJ, HL, JJ, JL, FH, LA, LH			
480Y/277	25,000	FH, KA	FD	2, 3	
	35,000	FG, KH, LH	FD		
		BG6, HG, JG, LG, MG, PG	BD6		
	65,000	FJ	FD		
		BJ, HJ, JJ, LJ, MJ, PJ	BD6, BG6		
		FC, KC	FD, FG		
		LC, LX (600 A Max.)	FD, FG		
	100,000	HL, JL, LL	BD6, BG6, BJ		
	200,000	FI, KI	FD, FG, FJ		
		HR, JR	BD6, BG6, BJ		
LI, LXI (600 A MAX.)		FD, FG, FJ			

**Table 1: Series Connected Circuit Breaker Ratings  
 (RMS Symmetrical) (Continued)**

Maximum System Voltage AC 2	Maximum Short Circuit Current Rating	Square D Brand Integral or Remote 2- or 3-Pole Main Circuit Breaker 1	Square D Brand Branch Circuit Breaker	
			Catalog Designation	Poles
600	18,000	HG, JG	FA, HD	2, 3
		JG	JD	
		MG, PG, RG	HD, JD	
		MG	FA	3
		LG	LD	
		LG	HD, JD	
	25,000	HJ, JJ	FA, HD, HG	2, 3
		JJ	JD	
		PJ, RJ	MG	3
		LJ	LD, LG	
	35,000	LC	FH, HD, HG, HJ, JD, JG, JJ, LA	2, 3
	50,000	HL, JL	FA, HD, HG, HJ	2, 3
		JL	JD, JG, JJ	
		PK	HJ, JJ, MJ	3
		LL	LD, LG, LJ	
	100,000	FI, KI	HD, HG, HJ	2, 3
		KI	JD, JG, JJ	
		KI, LI	FH	
		LI	LA	
		HR	FA, HD, HG, HJ, HL	
JR		FA, HD, HG, HJ, HL, JD, JG, JJ, JL		
LR	HJ, HL, JJ, JL			
600Y/347	18,000	MG	FA (25 A Max.)	
	25,000	MJ	FA (25 A Max.)	
	50,000	HL, JL	FJ	
347	18,000	BG6, HG, JG, LG, MG, PG	BD6	1
	25,000	BJ, HJ, JJ, LJ, MJ, PJ	BD6, BG6	
	50,000	HL, JL	BD6, BG6, BJ	
	100,000	JR	BD6 (60 A Max.), BG6, BJ	
		HR	BD6, BG6, BJ	



**Table 1: Series Connected Circuit Breaker Ratings (RMS Symmetrical) (Continued)**

Maximum System Voltage AC <sup>2</sup>	Maximum Short Circuit Current Rating	Square D Brand Integral or Remote 2- or 3-Pole Main Circuit Breaker <sup>1</sup>	Square D Brand Branch Circuit Breaker	
			Catalog Designation	Poles
600Y/347	18,000	BG6, HG, JG, LG, MG, PG	BD6	3
	25,000	BJ, HJ, JJ, LJ, MJ, PJ	BD6, BG6	
	50,000	HL, JL, LL	BD6, BG6, BJ	
	100,000	HR, JR	BD6, BG6, BJ	

<sup>1</sup> LD, LG, LJ, and LL are only available in 3-pole configurations.

<sup>2</sup> For indicated circuit breakers rated less than this maximum voltage, the indicated short circuit current rating also applies, but at the voltage rating of the circuit breaker.

**Table 2: Series Connected Fuse Ratings (RMS Symmetrical)**

Maximum System Voltage AC <sup>1</sup>	Maximum Short Circuit Current Rating	Remote Main Fuse		Square D Brand Branch Circuit Breaker Catalog Designation (2- or 3-Pole) Unless Otherwise Stated	
		Max A	Class		
120/240 1Ø 208Y/120	100,000	1200 A	L, T (300 V)	QD, QG	
		800 A	T (600 V)		
		600 A	J, RK5		
240	65,000	1200 A	L, T (300 V)	QD	
		800 A	T (600 V)		
		600 A	J, RK5		
	100,000	1200 A	1200 A	L, T (300 V)	QD, QG (2-Pole)
			800 A	T (600 V)	
		600 A	J, RK5	FA, FH, KA, KH, KC, LA, LH, MA, MH, MX, PG FH, KA, KH, LA, LH, MA, MH, MX, PG, HD, HG, HJ, HL, JD, JG, JJ, JL HD, HG, HJ, HL, JD, JG, JJ, JL	
			J, T (600 V)		
			RK5		
			J		

**Table 2: Series Connected Fuse Ratings (RMS Symmetrical) (Continued)**

Maximum System Voltage AC 1	Maximum Short Circuit Current Rating	Remote Main Fuse		Square D Brand Branch Circuit Breaker Catalog Designation (2- or 3-Pole) Unless Otherwise Stated		
		Max A	Class			
240	100,000	800 A	T (600 V)	FH, KA, KH, LA, LH, MA, MH, MX, PG		
			T (300 V)	PG		
			L	FH, KA, KH, LA, LH, MA, MH, MX, PG		
		1200 A	L	FH, KH, LA, LH, MA, MH, MX, PG		
			T (600 V)	HD, HG, HJ, HL, JD, JG, JJ, JL		
		1600/2000 A	L	NA, NC, NX, PJ, PL		
	4000 A	L	HD, HG, HJ, HL, JD, JG, JJ, JL			
	200,000	600 A	J, T (600 V)	FA (3-pole only) FH, FC, KH, KC, LA, LH, LC, MA, MH, MX, NA, NC, NX, PG, PJ, PL		
			RK5	FH, FC, HD, HG, HJ, HL, JD, JG, JJ, JL, KH, KC, LA, LH, LC, MA, MH, MX, NC, NX, PG, PJ, PL		
			J	HD, HG, HJ, HL, JD, JG, JJ, JL		
		800 A	T (600 V)	FH, FC, KA, KH, KC, LA, LH, LC, MA, MH, MX, NA, NC, NX, PG, PJ, PL		
			T (300 V)	PG, PJ, PL		
			L	FH, FC, KH, KC, LA, LH, LC, MA, MH, MX, NA, NC, NX, PG, PJ, PL		
		1200 A	L	FC, KH, KC, LC, MA, MH, MX, NA, NC, NX, PG, PJ, PL		
			T (600 V)	HD, HG, HJ, HL, JD, JG, JJ, JL		
		1600/2000 A	L	NA, NC, NX, PJ, PL		
		4000 A	L	HD, HG, HJ, HL, JD, JG, JJ, JL		
		480	100,000	400 A	J, T(600 V)	HD, HG, HJ, HL, JD, JG, JJ, JL
				600 A	J, RK5	HJ, HL, JJ, JL
	600 A			J, T (600 V)	FC, KA, KH, KC, LA, LH, LC, MA, MH, MX, NA, PG, PJ	
RK5				FC, KA, KH, KC, LA, LH, LC, MA, MH, MX, NA, PG, PJ		
800 A	L, T(600V)			FC, KA, KH, KC, LA, LH, LC, MA, MH, MX, NA, PG, PJ		
1200 A	L			FC, KH, KC, LA, LH, LC, MA, MH, MX, NA, PG, PJ		
	T (600 V)			HJ, HL, JJ, JL		
1600 A	L			KC, LC, MA, MH, MX, NA, PG, PJ		
2000 A	L			KC, LC, MH, MG, MJ, MX, NA, PG, PJ		
4000 A	L			HJ, HL, JJ, JL		

**Table 2: Series Connected Fuse Ratings (RMS Symmetrical) (Continued)**

Maximum System Voltage AC <sup>1</sup>	Maximum Short Circuit Current Rating	Remote Main Fuse		Square D Brand Branch Circuit Breaker Catalog Designation (2- or 3-Pole) Unless Otherwise Stated
		Max A	Class	
480	200,000	200 A	RK5	HJ, HL
		400 A	J	FA, FH, FC, HJ, HL, JJ, JL, KA, KH, KC, LA, LH, LC, MA, MH, MX, NA, NC, NX, PG, PJ, PL
			T (600 V)	FA, FH, FC, HJ, HL, JJ, JL, KA, KH, KC, LA, LH, MA, MH, MX, NA, NC, NX
		600 A	J	FC, KA, KH, KC, LA, LH, LC, MA, MH, MX, MG, MJ, NA, NC, NX, PG, PJ, PL
			T(600 V)	KA, KH, KC, LA, LH, MA, MH, MX, NA, NC, NX
			RK5	KC, LA, LH, LC, MA, MH, MX, MG, MJ, NC, NX, PG, PJ
		800 A	T(300 V)	PG, PJ, PL
			T(600 V)	KA, KH, KC, LA, LH, MA, MH, MX, MG, MJ, NA, NC, NX, PG, PJ, PL
			L	KC, LA, LH, LC, MA, MH, MX, NA, NC, NX, PG, PJ, PL
		1200 A	L	KC, LC, MA, MH, MX, MG, MJ, NA, NC, NX, PG, PJ, PL
1600/2000 A	L	NA, NC, NX		
600	100,000	30 A	CC	HG, JG (Molded Case Switches)
		200 A	J	HD, HG, HJ, HL, JD, JG, JJ, JL
		400 A	J, T (600 V)	HJ, HL, JJ, JL

<sup>1</sup> For indicated circuit breakers rated less than this maximum voltage. The indicated short circuit current rating also applies, but at the voltage rating of the circuit breaker.

**Table 3: NF Panel Mission Critical Breaker Selectivity**

Maximum SCCR (RMS Symmetrical)	I-Line Circuit Breakers Used As Remote Mains	Remote Branch Circuit Breakers			
		Type <sup>1</sup>	1-pole	2-pole	3-pole
Series Rated and Selective to 18 kA at 240 Vac	J-W, 250 A	ED, EG, EJ	15–70	15–125	15–125
Series Rated and Selective to 7 kA at 480Y/277 Vac	J-W, 250 A	ED, EG, EJ	15–70	70–125	70–125
Series Rated and Selective to 10 kA at 480Y/277 Vac	J-W, 250 A	ED, EG, EJ	15–60	15–60	15–60
Series Rated and Selective to 30 kA at 480Y/277 Vac or at 240 Vac	L-W, 250 A L-W, 400 A L-W, 600 A	ED, EG, EJ	15–70	15–125	15–125

<sup>1</sup> Including EPD circuit breakers

**Table 4: NQ Panel Mission Critical Breaker Selectivity**

Maximum SCCR (RMS Symmetrical)	I-Line Circuit Breakers Used As Remote Mains	Remote Branch Circuit Breakers			
		Type <sup>1</sup>	1-pole	2-pole	3-pole
Fully Rated and Selective to 10 kA at 208Y/120 Vac or at 240/120 Vac	J-W, 250 A L-W, 250 A	QO(B)	10-70	10-125	10-125
		QO(B)-H			
		QO(B)-VH			
		QH			
Series Rated and Selective to 12 kA at 208Y/120 Vac or at 240/120 Vac	J-W, 250 A	QO(B)	10-70	10-125	10-60
		QO(B)-H			
		QO(B)-VH			
		QH			
Series Rated and Selective to 15 kA at 208Y/120 Vac or at 240/120 Vac	J-W, 250 A	QO(B)	10-60	10-60	10-30
		QO(B)-H			
		QO(B)-VH			
		QH			
Series Rated and Selective to 18 kA at 208Y/120 Vac or at 240/120 Vac	J-W, 250 A	QO(B)	10-30	10-30	—
		QO(B)-H			
		QO(B)-VH			
		QH			
	L-W, 250 A	QO(B)	10-60	10-60	10-60
		QO(B)-H			
		QO(B)-VH			
		QH			
Series Rated and Selective to 30 kA at 208Y/120 Vac or at 240/120 Vac	L-W, 400 A L-W, 600 A	QO(B)	15-70	15-150	15-150
		QO(B)-H			
		QO(B)-VH			
		QH			

<sup>1</sup> Including AFI, CAFI, EPD and GFI Circuit Breakers

**Additional Short Circuit Current Ratings**

Square D Brand I-Line plug-on lugs installed in this panelboard and protected by indicated Square D Brand circuit breakers are suitable for use where the available short circuit current is not greater than that shown in the following table. The short circuit current rating cannot exceed the rating marked on the protecting circuit breaker. The protecting circuit breakers may be the main, or if plugged onto the same I-Line bus stack, may be downstream from the plug-on lugs.

**Table 5: Short Circuit Current Ratings for Plug-On Lugs with Protective Circuit Breakers<sup>1</sup>**

Catalog Number and Ampere Rating	Protecting Circuit Breakers			Maximum Available Short Circuit Current	
	Catalog Prefix	Number of Poles	Maximum Amperes	RMS Sym. kA	Volts AC
SL100, 100 A SL225, 225 A SL250, 250 A SL400, 400 A SL800, 800 A SL800M5, 800 A SL1200, 1200 A SL1200P5, 1200 A SL1200P6, 1200 A SL1200P7, 1200 A S33930, 1200 A S33931, 1200 A	FA	2, 3	100	25	240
				18	480
	FH	2, 3	100	14	600
				65	240
				25	480
	FD	2, 3	100	18	600
				25	240
	FG	2, 3	100	18	480Y
				65	240
	FJ	2, 3	100	35	480Y
				100	240
				65	480Y
SL225, 225 A SL400, 400 A SL800, 800 A SL800M5, 800 A SL1200, 1200 A SL1200P5, 1200 A SL1200P6, 1200 A SL1200P7, 1200 A S33930, 1200 A S33931, 1200 A	KA	2, 3	225	42	240
				25	480
				22	600
	KH	2, 3	225	65	240
				35	480
				25	600
	KC	2, 3	225	100	240
				65	480
	KI	2, 3	225	200	240
				200	480
				100	600
	SL400, 400 A SL800, 800 A SL800M5, 800 A SL1200, 1200 A SL1200P5, 1200 A SL1200P6, 1200 A SL1200P7, 1200 A SL33930, 1200 A SL33931, 1200 A	DG	3	400	65
35					480
DJ		3	400	100	240
				65	480
DL		3	400	125	240
				100	480
SL800, 800 A SL800M5, 800 A SL1200, 1200 A SL1200P5, 1200 A SL1200P6, 1200 A SL1200P7, 1200 A S33930, 1200 A S33931, 1200 A	DG	3	600	65	240
				35	480
	DJ	3	600	100	240
				65	480
	DL	3	600	125	240
				100	480

**Table 5: Short Circuit Current Ratings for Plug-On Lugs with Protective Circuit Breakers<sup>1</sup> (Continued)**

Catalog Number and Ampere Rating	Protecting Circuit Breakers			Maximum Available Short Circuit Current	
	Catalog Prefix	Number of Poles	Maximum Amperes	RMS Sym. kA	Volts AC
SL250, 250 A SL400, 400 A SL800, 800 A SL800M5, 800 A SL1200, 1200 A SL1200P5, 1200 A SL1200P6, 1200 A SL1200P7, 1200 A S33930, 1200 A S33931, 1200 A	HD/JD	2, 3	150/250	25	240
				18	480
				14	600
	HG/JG	2, 3	150/250	65	240
				35	480
				18	600
	HJ/JJ	2, 3	150/250	100	240
				65	480
				25	600
	HL/JL	2, 3	150/250	125	240
				100	480
				50	600
HR/JR	2, 3	150/250	200	240	
			200	480	
			100	600	
KI	2, 3	250	200	240	
			200	480	
			100	600	
SL400, 400 A SL800, 800 A SL800M5, 800 A SL1200, 1200 A SL1200P5, 1200 A SL1200P6, 1200 A SL1200P7, 1200 A S33930, 1200 A S33931, 1200 A	LA	2, 3	400	42	240
				30	480
				22	600
	LH	2, 3	400	65	240
				35	480
				25	600
	LD	3	400	25	240
				18	480
				14	600
	LG	3	400	65	240
				35	480
				18	600
LJ	3	400	100	240	
			65	480	
			25	600	
LL	3	400	125	240	
			100	480	
			50	600	
LR	3	400	200	240	
			200	480	
			100	600	
LC/LX	2, 3	400	100	240	
			65	480	
			35	600	
LI/LXI	2, 3	400	200	240	
			200	480	
			100	600	

**Table 5: Short Circuit Current Ratings for Plug-On Lugs with Protective Circuit Breakers<sup>1</sup> (Continued)**

Catalog Number and Ampere Rating	Protecting Circuit Breakers			Maximum Available Short Circuit Current	
	Catalog Prefix	Number of Poles	Maximum Amperes	RMS Sym. kA	Volts AC
SL800, 800 A SL800M5, 800 A SL1200, 1200 A SL1200P5, 1200 A SL1200P6, 1200 A SL1200P7, 1200 A S33930, 1200 A S33931, 1200 A	LD	3	600	25	240
				18	480
				14	600
	LG	3	600	65	240
				35	480
				18	600
	LJ	3	600	100	240
				65	480
				25	600
	LL	3	600	125	240
				100	480
				50	600
	LR	3	600	200	240
				200	480
				100	600
SL800, 800 A SL1200, 1200 A S33930, 1200 A S33931, 1200 A	LC/LX	2, 3	600	100	240
				65	480
				35	600
	LI/LXI	2, 3	600	200	240
				200	480
				100	600
	MA	2, 3	800	42	240
				30	480
				22	600
	MH/MX	2, 3	800	65	240
				65	480
				25	600
SL800M5, 800 A SL1200P5, 1200 A SL1200P6, 1200 A SL1200P7, 1200 A	MG, PG	2, 3	800	65	240
				35	480
				18	600
	MJ, PJ	2, 3	800	100	240
				65	480
				25	600
PK	2, 3	800	65	240	
			50	480	
			50	600	
SL800M5, 800 A SL1200P5, 1200 A SL1200P6, 1200 A SL1200P7, 1200 A	PL	2, 3	800	125	240
				100	480
				25	600
	MA/MH/MX	2, 3	800	65	240
				65	480
				25	600

**Table 5: Short Circuit Current Ratings for Plug-On Lugs with Protective Circuit Breakers<sup>1</sup> (Continued)**

Catalog Number and Ampere Rating	Protecting Circuit Breakers			Maximum Available Short Circuit Current	
	Catalog Prefix	Number of Poles	Maximum Amperes	RMS Sym. kA	Volts AC
SL1200, 1200 A S33930, 1200 A	NA	2, 3	1200	100	240
				50	480
				25	600
	NC/NX	2, 3	1200	125	240
				100	480
				65	600
SL1200P5, 1200A SL1200P6, 1200A SL1200P7, 1200A	PG/RG	2, 3	1200	65	240
				35	480
				18	600
	PJ/RJ	2, 3	1200	100	240
				65	480
				25	600
	PK	2, 3	1200	65	240
				50	480
				50	600
	RK	2, 3	1200	65	240
				65	480
				65	600
	PL	2, 3	1200	125	240
				100	480
				25	600
	RL	2, 3	1200	125	240
				100	480
				50	600
S33930, 1200 A S33931, 1200 A	MG	2, 3	800	65	240
				35	480
	PG	2, 3	1200	18	600
				100	240
	MJ	2, 3	800	65	480
				25	600
	PJ	2, 3	1200	65	240
				50	480
	PK	2, 3	1200	50	600
125				240	
PL	2, 3	1200	100	480	
			65	240	
S33930, 1200 A	RG	2, 3	1200	35	480
				18	600
				100	240
	RJ	2, 3	1200	65	480
				25	600
				125	240
	RL	2, 3	1200	100	480
				50	600
				65	240/480/600

<sup>1</sup> S33930, S33931, SL1200P5, SL1200P6, SL1200P7, SL kits are rated 1200 A and may be applied to 1200 ampere loads when installed into HCRU panelboards restrictively on the wide side.



## CE Marking

Interiors with the "CE" mark meet the IEC 61439-1 and IEC 61439-2 standards. Main Lug interiors with the "CE" mark have been tested to withstand 42,000 RMS symmetrical amperes for 30 cycles. Only IEC rated circuit breakers may be used with "CE" marked interiors and the short circuit rating of the interior is limited to the lowest IEC rated branch breaker unless series rated with an IEC rated main breaker in Table 1. (See Digest for details)

## Appendix 2: Accessory Kits

An assortment of field-installable accessory kits are available for I-Line panelboards:

- Equipment Ground Bar Kits, on page 33
- Mechanical Interlock Kits, on page 34
- Main Lug Kits, on page 34
  - Versa-Crimp Lugs and Versatile Compression Lug Kits — Aluminum, on page 34
  - Versa-Crimp Lugs and Versatile Compression Lug Kits — Copper, on page 35
- Circuit Breaker Lug Kits, on page 35
  - Versa-Crimp Lugs and Versatile Compression Lug Kits, on page 36

### Equipment Ground Bar Kits


Equipment ground bar kits, suitable for copper or aluminum wire, meet the grounding needs of I-Line panelboards. Select the required kit according to the interior catalog number. Kits can be field installed.

**Table 6: Equipment Ground Bar Kits Specifications**

Panelboard	Use Ground Bar Kit Catalog Number	
	Aluminum <sup>1</sup>	Copper <sup>2</sup>
HCN	PK27GTA	PK27GTACU
HCM, HCJ, HCRU, and HCP	PK32DGTA	PK32DGTACU

<sup>1</sup> Aluminum bars suitable for 60° C or 75° C Copper or Aluminum conductors.

<sup>2</sup> Copper bars suitable for 60° C or 75° C Copper conductors.

**NOTE:** Ground bar mounting locations are identified by the ground symbol  stamped into the back wall of the enclosure.

## Mechanical Interlock Kits

Kits can be field installed.

**Table 7: Mechanical Interlocks Specifications**

Catalog Number	Circuit Breaker Combinations		Panelboard Type
	Mains	Auxiliary	
HFK3DTI	FA	FA	HCN, HCM, HCJ, HCRU, and HCP
HFM3DTI	LA	FA	HCRU
HLM3DTI	LA	LA	HCP, HCRU
HPFK3DTI	MG/MJ	FA/KA	HCP, HCPSU, HCRU
HPHJ3DTI	MG/MJ	H/J	HCP, HCPSU, HCRU
HPL3DTI	MG/MJ	LA	HCP, HCPSU, HCRU
HPP3DTI	MG/MJ	MG/MJ	HCP, HCPSU, HCRU

## Main Lug Kits

Versa-Crimp® and Versatile™ Kits can be field installed.

**Table 8: Versa-Crimp Lugs and Versatile Compression Lug Kits — Aluminum**

Panelboard Amps	Wire Range	Part Number	Versa-Crimp Tool	Crimp Lug Adapter Kit
225 A	4–300 kcmil AL/CU 21.1–151 mm <sup>2</sup>	VCEL030516H1	VC-6 Series	—
400 A				HCN400VCA HCM400VCA HCW400VCA
	500–750 kcmil AL 253–380 mm <sup>2</sup>	VCEL07512H1	VC-6FT, VC-8	—

**Table 8: Versa-Crimp Lugs and Versatile Compression Lug Kits — Aluminum**

Panelboard Amps	Wire Range	Part Number	Versa-Crimp Tool	Crimp Lug Adapter Kit
600 A	2/0–500 kcmil AL/CU 67.4–253 mm <sup>2</sup>	VCELO5038H1	VC-6 FT	HCN600VCA HCM600VCA HCW600VCA
800 A		VCELO5012H1		HCM800VCA HCW800VCA
1200 A	500–750 kcmil AL 253–380 mm <sup>2</sup> 500 kcmil CU 253 mm <sup>2</sup>	VCELO7512H1 <sup>1</sup>	VC-6FT, VC-8	HCW1200VCA

<sup>1</sup> When this lug is installed, the box extension HC4212DEX (F or S) must be added to the incoming cable end of the enclosure.

**Table 9: Versa-Crimp Lugs and Versatile Compression Lug Kits — Copper**

Panelboard Amps	Wire Range	Part Number	Versa-Crimp Tool	Crimp Lug Adapter Kit
225 A	2/0–300 kcmil CU 67.4–151 mm <sup>2</sup>	VCELC03038H1	VC-6-3 VC7 VC6-FT VC7-FT	—
400 A				HCN400VCA HCM400VCA HCW400VCA
	400–750 kcmil CU 203–380 mm <sup>2</sup>	VCELC07512H1	VC-6FT VC7-FT VC8	—
600 A	250–500 kcmil CU 127–253 mm <sup>2</sup>	VCELC05012H1	VC6-3 VC7 VC6-FT VC7-FT	HCN600VCA HCM600VCA HCW600VCA
800 A				HCM800VCA HCW800VCA
1200 A	400–750 kcmil CU 203–380 mm <sup>2</sup>	VCELC07512H1	VC-6FT VC7-FT VC8	HCW1200VCA

**Circuit Breaker Lug Kits**

Versa-Crimp® and Versatile™ Kits can be field installed.

**Table 10: Versa-Crimp Lugs and Versatile Compression Lug Kits <sup>1</sup>**

Aluminum	Wire Range <sup>2</sup>	Versa-Crimp Tool	Copper	Wire Range <sup>2</sup>	Versa-Crimp Tool	
VC100FA VC100FD	8-1/0 8.36-53,5 mm <sup>2</sup>	VC-6	CVC100FA CVC100FD	6-1/0 CU 13.3-53.5 mm <sup>2</sup>	VC-6 Series	
VC250KA3	4-300 kcmil 21.1-151 mm <sup>2</sup>		CVC250KA3	2/0-300 kcmil CU 67.4-151 mm <sup>2</sup>		
VC250KA35	250-350 kcmil 127-177 mm <sup>2</sup>		CVC400LA3	4-300 kcmil CU 21.1-151 mm <sup>2</sup>		
VC400LA35	250-350 kcmil 127-177 mm <sup>2</sup>		CVC400LA5 CVC600MA5	250-500 kcmil CU 127-253 mm <sup>2</sup>		
VC400LA3	4-300 kcmil 21.1-151 mm <sup>2</sup>		CVC1200NE5	2/0-500 kcmil 67.4-253 mm <sup>2</sup>		
VC400LA5	2/0-500 kcmil 67.4-253 mm <sup>2</sup>	VC-6 FT VC-8	CVC1200NE7	500-750 kcmil AL 253-380 mm <sup>2</sup>		
VC400LA7	500-750 kcmil AL 253-380 mm <sup>2</sup> 500 kcmil CU 253 mm <sup>2</sup>			500 kcmil CU 253 mm <sup>2</sup>		
VC400LA7	2/0-500 kcmil 67.4-253 mm <sup>2</sup>	VC-6 Series				
VC800MA7	500-750 kcmil AL 253-380 mm <sup>2</sup> 500 kcmil CU 253 mm <sup>2</sup>	VC-6 FT VC-8				
VC1200NE5	2/0-500 kcmil 67.4-253 mm <sup>2</sup>	VC-6 Series				
VC1200NE7	500-750 kcmil AL 253-380 mm <sup>2</sup> 500 kcmil CU 253 mm <sup>2</sup>	VC-6 FT VC-8				
LV426989 (B frame)	# 8-1/0 AWG	V-6, VC-6 FT	LV426987 (B frame)	# 6-1/0 AWG	V-6, VC-6 FT	
YA060HD	# 6-#2 AWG	3	CYA060HD	# 6-1/0 AWG CU	3	
YA150HD	# 1-4/0 AWG		CYA150JD	# 4-2/0 AWG CU		
YA150JD	# 1-3/0 AWG		CYA150HD	# 6-1/0 AWG CU		
YA250J35	3/0-350 kcmil		CYA250J3	1/0-350 kcmil CU		

<sup>1</sup> Always ensure compression lugs are installed in panelboards that will provide wire bending space in accordance with NEC Article 312.6, 2017 Edition.

<sup>2</sup> Unless otherwise specified, wire sizes apply to both aluminum and copper conductors.

<sup>3</sup> Use crimp tools in accordance with instructions that are provided within each lug kit.

**Table 11: Compression Lug Kits for L-, MG-, MJ-, P-, and R-Frame Circuit Breaker <sup>1</sup>**

Aluminum	Wire Range <sup>2</sup>	Versa-Crimp Tool	Copper	Wire Range <sup>2</sup>	Versa-Crimp Tool
YA250P3	2/0–300 kcmil 67.4–151 mm <sup>2</sup>	4, 5	CYA400P5	4/0–500 kcmil CU 107–253 mm <sup>2</sup>	4, 5
YA300P5	4/0–500 kcmil 107–253 mm <sup>2</sup>		CYA600P5	4/0–500 kcmil CU 107–253 mm <sup>2</sup>	
YA400P3	2/0–300 kcmil 67.4–151 mm <sup>2</sup>		CYA800P7	500–750 kcmil CU 253–380 mm <sup>2</sup>	
YA400P7	500–750 kcmil 253–380 mm <sup>2</sup>		CYA1200R5	4/0–500 kcmil CU 107–253 mm <sup>2</sup>	
YA600P5	4/0–500 kcmil 107–253 mm <sup>2</sup>		CYA1200R7	500–750 kcmil CU 253–380 mm <sup>2</sup>	
YA800P7 <sup>3</sup>	500–750 kcmil 253–380 mm <sup>2</sup>		—		
YA1200R3	2/0–300 kcmil 67.4–151 mm <sup>2</sup>		—		
YA1200R5	4/0–500 kcmil 107–253 mm <sup>2</sup>		—		
YA1200R7	500–750 kcmil 253–380 mm <sup>2</sup>		—		
YA400L31K3 <sup>7</sup>	#4–300 kcmil 21–151 mm <sup>2</sup>	4	CYA400L31K3 <sup>7</sup>	2/0–300 kcmil 67.4–151 mm <sup>2</sup>	4
YA600L32K3 <sup>7</sup>			CYA600L32K3 <sup>7</sup>		
YA400L51K3 <sup>7</sup>	2/0–500 kcmil 67.4–253 mm <sup>2</sup>		CYA400L51K3 <sup>7</sup>	250–500 kcmil 127–253 mm <sup>2</sup>	
YA600L52K3 <sup>7</sup>			CYA600L52K3 <sup>7</sup>		
YA400L71K3 <sup>6, 7</sup>	500–750 kcmil 253–380 mm <sup>2</sup>		—		

- <sup>1</sup> Always ensure compression lugs are installed in panelboards that will provide wire bending space in accordance with NEC Article 312.6, 2017 Edition.
- <sup>2</sup> Unless otherwise specified, wire sizes apply to both aluminum and copper conductors.
- <sup>3</sup> When this lug is installed on a vertically mounted main circuit breaker, in an HCP interior, add box extension HC4212DEX (F or S) to the end of that enclosure.
- <sup>4</sup> Use crimp tools in accordance with instructions that are provided within each lug kit.
- <sup>5</sup> Always ensure compression lugs are installed in panelboards that will provide wire bending space in accordance with NEC Article 312.6, 2017 Edition. I-LINE panelboards with a Type 1 enclosure require a 5.0 in. extended width box when the branch breakers use these lugs ( these compression lugs may not be used in weatherproof enclosures). Contact your local Schneider Electric representative for assistance.
- <sup>6</sup> This lug is only allowed in HCP/HCPSPU panelboards with Type 1 enclosures with a 5.0 in. wide side extension.
- <sup>7</sup> For L-frame circuit breakers only.

**Extension Kits**

Refer to current Square D Digest and Instruction Bulletin 80043-350-04 for information about box extension kits.

**I-Line™ Circuit Breaker Power Distribution Panelboards  
Instruction Bulletin**

Electrical equipment should be installed, operated, serviced, and maintained only by qualified personnel. No responsibility is assumed by Schneider Electric for any consequences arising out of the use of this material.

**Schneider Electric USA, Inc.**  
1415 S. Roselle Road  
Palatine, IL 60067 USA  
1-888-778-2733  
[www.us.SquareD.com](http://www.us.SquareD.com)

© 1996–2021 Schneider Electric All Rights Reserved  
Schneider Electric and Square D are trademarks and the property of Schneider Electric SE, its subsidiaries, and affiliated companies. All other trademarks are the property of their respective owners.  
80043-309-20 Rev. 08, 01/2021  
Replaces 80043-309-20 Rev.07, 01/2020

# Tableros de distribución de alimentación con interruptores automáticos I-Line™

## Manual de información

### Clase 2110



Boletín de instrucciones  
80043-309-20 Rev. 08

Conservar para uso futuro.

ESPAÑOL



by Schneider Electric

## Categorías de riesgos y símbolos especiales



Asegúrese de leer detenidamente estas instrucciones y realice una inspección visual del equipo para familiarizarse con él antes de instalarlo, hacerlo funcionar o prestarle servicio de mantenimiento. Los siguientes mensajes especiales pueden aparecer en este boletín o en el equipo para advertirle sobre peligros potenciales o llamar su atención sobre cierta información que clarifica o simplifica un procedimiento.

La adición de cualquiera de estos símbolos a una etiqueta de seguridad de “Peligro” o “Advertencia” indica la existencia de un peligro eléctrico que podrá causar lesiones personales si no se observan las instrucciones.

Este es el símbolo de alerta de seguridad. Se usa para avisar sobre peligros potenciales de lesiones. Respete todos los mensajes de seguridad con este símbolo para evitar posibles lesiones o la muerte.

### PELIGRO

**PELIGRO** indica una situación de peligro inminente que, si no se evita, **podrá** causar la muerte o lesiones serias.

### ADVERTENCIA

**ADVERTENCIA** indica una situación potencialmente peligrosa que, si no se evita, **puede** causar la muerte o lesiones serias.

### PRECAUCIÓN

**PRECAUCIÓN** indica una situación potencialmente peligrosa que, si no se evita, **puede** causar lesiones menores o moderadas.

### **AVISO**

**AVISO** se usa para hacer notar prácticas no relacionadas con lesiones físicas. El símbolo de alerta de seguridad no se usa con esta palabra de indicación.

**NOTA:** Proporciona información adicional para clarificar o simplificar un procedimiento.

## Observe que

Solamente el personal calificado deberá instalar, hacer funcionar y prestar servicios de mantenimiento al equipo eléctrico. Schneider Electric no asume responsabilidad alguna por las consecuencias emergentes de la utilización de este material.



## Contenido

Introducción	4
Precauciones de seguridad	4
Instalación	5
Montaje del interior en gabinetes marca Square D	5
Montaje para sobreponer (gabinete montado en la pared)	6
Montaje para empotrar (gabinete empotrado en la pared)	6
Instalación de la barra de conexión del neutro	8
Instalación de la barra de conexión del neutro estándar	9
Instalación de la barra de conexión del neutro con un transformador de corriente	10
Instalación y desmontaje del interruptor automático I-Line	10
Instalación del interruptor automático I-Line	11
Desmontaje del interruptor automático I-Line	12
Instrucciones para restablecer el interruptor automático	13
Preparación de la barrera del marco interior	13
Ensamblados de pila I-Line	14
Ensamblados de neutro sólido I-line	14
Tableros equipados con operadores de motor para los interruptores automáticos PowerPact marcos H y J	15
Anexo 1: Especificaciones	16
Alambrado típico	16
Valores nominales de los tableros de distribución	16
Corriente nominal de cortocircuito adicional	27
Marcado CE	32
Anexo 2: Kits de accesorios	32
Kits de barra de tierra del equipo	33
Kits de enclavamiento mecánico	33
Kits de zapatas principales	34
Kits de zapatas de interruptor automático	35
Kits de extensión	36

## Introducción

Este boletín contiene las instrucciones de instalación de los tableros de distribución con interruptores automáticos I-Line™ marca Square D™. Estos tableros han sido registrados con Underwriters Laboratories (cULus) y aceptan interruptores derivados I-Line.



Para obtener asistencia técnica sobre la instalación de este tablero, póngase en contacto con el Centro de información al cliente de Schneider Electric llamando al 1-888-778-2733 (en EUA).



Consulte las etiquetas en el equipo para obtener información de seguridad y valores nominales. Con este documento se incluyen etiquetas adicionales del equipo.

## Precauciones de seguridad

### **⚠ PELIGRO**

#### **PELIGRO DE DESCARGA ELÉCTRICA, EXPLOSIÓN O DESTELLO POR ARQUEO**

- Utilice equipo de protección personal (EPP) apropiado y siga las prácticas de seguridad en trabajos eléctricos establecidas por su Compañía, consulte la norma 70E de NFPA, Z462 de CSA y NOM-029-STPS.
- Solamente el personal eléctrico calificado deberá instalar y prestar servicio de mantenimiento a este equipo.
- Desconecte toda la alimentación que suministra al equipo antes de realizar cualquier trabajo en él.
- Siempre utilice un dispositivo detector de tensión de valor nominal adecuado para confirmar la desenergización del equipo.
- Asegúrese de leer y entender todo el contenido de este boletín de instrucciones así como la publicación más reciente de NEMA PB 1.1 (incluida) antes de instalar, hacer funcionar o prestar servicios de mantenimiento a este equipo.
- Los códigos locales varían, se aceptan y hacen cumplir para fomentar la seguridad en instalaciones eléctricas. Es posible que necesite un permiso para realizar el trabajo eléctrico, y en algunos casos, algunos códigos pueden requerir una inspección del trabajo eléctrico efectuado.
- Vuelva a colocar todos los dispositivos, las puertas y las cubiertas antes de energizar este equipo.

**El incumplimiento de estas instrucciones podrá causar la muerte o lesiones serias.**



**ADVERTENCIA:** Este producto puede exponerle a químicos incluyendo compuestos de níquel, que son conocidos por el Estado de California como causantes de cáncer, y Bisfenol A (BPA), que es conocido por el Estado de California como causante de defectos de nacimiento u otros daños reproductivos. Para mayor información, visite [www.P65Warnings.ca.gov](http://www.P65Warnings.ca.gov).

## Instalación

Esta sección proporciona las instrucciones para los siguientes procedimientos de los tableros I-Line:

- Montaje del interior en gabinetes marca Square D, en la página 5
- Instalación de la barra de conexión del neutro, en la página 8
- Instalación y desmontaje del interruptor automático I-Line, en la página 10
- Preparación de la barrera del marco interior, en la página 13

### Montaje del interior en gabinetes marca Square D

Con este equipo, se ha incluido (por separado) la publicación NEMA PB 1.1 2007 "Instrucciones generales apropiadas de instalación, funcionamiento y servicios de mantenimiento de tableros de distribución de 600 V o menos". Familiarícese con el contenido de este documento antes de continuar con los siguientes procedimientos.

Si no recibió una copia de esta publicación, o si tiene alguna pregunta con respecto al equipo, póngase en contacto con su distribuidor o representante local de Schneider Electric.

## AVISO

### PELIGRO DE CALOR EXCESIVO DEBIDO A UNA CONEXIÓN FLOJA

- Asegúrese de que todas las conexiones estén correctamente apretadas.
- Consulte la etiqueta de información de par de apriete incluida con el tablero antes de apretar las conexiones.

**El incumplimiento de estas instrucciones puede causar daño al equipo.**

Para montar e instalar correctamente el gabinete de un tablero I-Line, consulte la publicación NEMA PB 1.1 2007, y siga las instrucciones a

continuación para Montaje para sobreponer (gabinete montado en la pared) o Montaje para empotrar (gabinete empotrado en la pared).

Los tableros de distribución I-Line deben instalarse con la pila de barras en posición vertical solamente.

#### Montaje para sobreponer (gabinete montado en la pared)

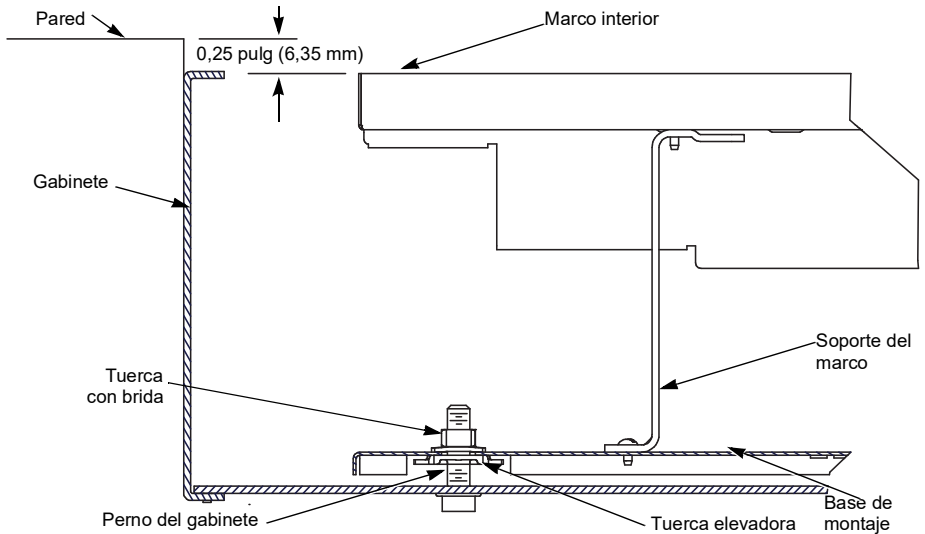
1. Monte el gabinete como se indica en la publicación NEMA PB 1.1.
2. Instale una tuerca elevadora en cada perno del gabinete.
3. Retire el marco interior de sus soportes.
4. Instale el interior como se describe a continuación:
  - a. Coloque el interior sobre los pernos del gabinete y sujételo con las tuercas con brida (vea la figura 1). Para facilitar el ajuste, inserte la punta del destornillador en la ranura de la tuerca elevadora.
  - b. Ajuste cada tuerca elevadora para mantener una distancia máxima de 0,125 pulg (3,2 mm) entre el marco interior y el ensamble de frente/puerta.
  - c. Apriete las tuercas con brida contra la base de montaje.
  - d. Vuelva a montar el marco interior después de realizar el alambrado.
5. Si se utiliza como equipo de acometida, será necesaria la conexión del neutro a tierra (consulte "Instalación de la barra de conexión del neutro" en la página 8).
6. Coloque las etiquetas del equipo (incluidas en la bolsa de accesorios) siguiendo las instrucciones en la parte posterior de la hoja de etiquetas del equipo.

#### Montaje para empotrar (gabinete empotrado en la pared)

1. Monte el gabinete como se indica en la publicación NEMA PB 1.1 2007.
2. Instale una tuerca elevadora en cada perno del gabinete.
3. Retire el marco interior de sus soportes.
4. Instale el interior como se describe a continuación:
  - a. Coloque el interior sobre los pernos del gabinete y sujételo con las tuercas con brida (vea la figura 1 en la página 7). Para facilitar el ajuste, inserte la punta del destornillador en la ranura de la tuerca elevadora.
  - b. Ajuste cada tuerca elevadora para colocar el reborde del marco interior aproximadamente 0,25 pulg (6,35 mm) desde la línea de la pared exterior.

- c. Apriete las tuercas con brida contra la base de montaje.
  - d. Vuelva a montar el marco interior después de realizar el alambrado.
5. Si se utiliza como equipo de acometida, será necesaria la conexión del neutro a tierra. Consulte las instrucciones en Instalación de la barra de conexión del neutro en la página 8.
  6. Coloque las etiquetas del equipo (incluidas en la bolsa de accesorios) siguiendo las instrucciones en la parte posterior de la hoja de etiquetas del equipo.

**Figura 1: Montaje del interior en gabinetes marca Square D**



## Instalación de la barra de conexión del neutro

La barra de conexión del neutro deberá usarse sólo cuando el tablero ha sido **instalado** como equipo de acometida.

Para conectar correctamente el neutro al tablero, siga las instrucciones en “Instalación de la barra de conexión del neutro estándar” o “Instalación de la barra de conexión del neutro con un transformador de corriente” en las páginas 9 y 10, respectivamente.

Para la instalación en campo del ensamble de neutro I-Line, consulte el manual de instrucciones de Schneider Electric 80043-846-01, Instrucciones de instalación de kits de ensamble de neutro.

### PELIGRO

#### **PELIGRO DE DESCARGA ELÉCTRICA, EXPLOSIÓN O DESTELLO POR ARQUEO**

- Utilice equipo de protección personal (EPP) apropiado y siga las prácticas de seguridad en trabajos eléctricos establecidas por su Compañía, consulte la norma 70E de NFPA, Z462 de CSA y NOM-029-STPS.
- Desconecte toda la alimentación que suministra al equipo antes de realizar cualquier trabajo en él.
- Solamente el personal eléctrico calificado deberá instalar y prestar servicio de mantenimiento a este equipo.
- Siempre utilice un dispositivo detector de tensión de valor nominal adecuado para confirmar la desenergización del equipo.
- La barra principal de conexión del neutro deberá usarse sólo cuando el tablero ha sido instalado como equipo de acometida.
- No mezcle los tornillos de montaje con los tornillos del marco interior.

**El incumplimiento de estas instrucciones podrá causar la muerte o lesiones serias.**

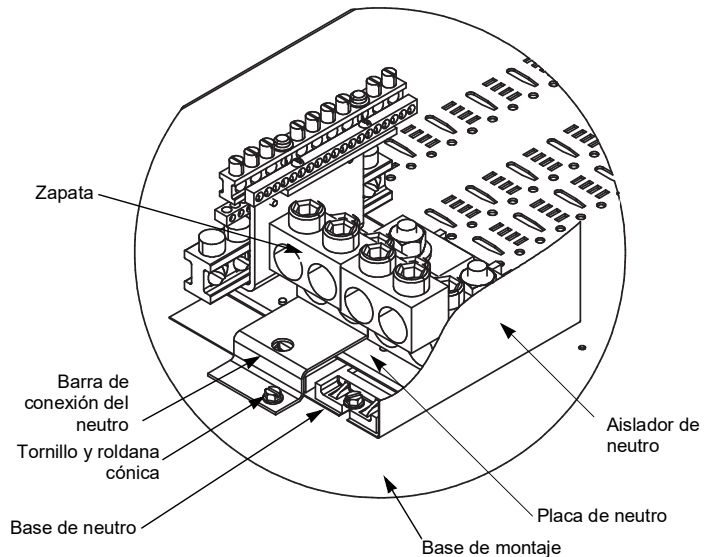
**NOTA:** Las piezas de la barra de conexión de neutro se encuentran en la bolsa del ensamble proporcionada con el interior para los tableros que vienen listos para instalar y sólo vienen incluidas con los tableros montados en fábrica cuando es seleccionada la entrada de acometida.

## Instalación de la barra de conexión del neutro estándar

Para instalar la barra de conexión del neutro en un tablero I-Line, consulte la figura 2 y siga las instrucciones a continuación.

1. Retire la zapata. Conserve la zapata y los herrajes de sujeción.
2. Coloque la barra de conexión entre la placa del neutro y la zapata, como se muestra.
3. Sujete la barra de conexión del neutro a la base de montaje empleando el tornillo y roldana cónica. Apriete el tornillo de conexión de la barra de 7,3 a 8,5 N•m (65 a 75 lbs-pulg).
4. Vuelva a instalar la zapata con los herrajes que conservó en el paso 1. Apriételos de 6,8 a 7,9 N•m (60 a 70 lbs-pulg).

**Figura 2: Instalación de la barra de conexión del neutro estándar**



## Instalación de la barra de conexión del neutro con un transformador de corriente

Para instalar una barra de conexión del neutro en un tablero I-Line con un transformador de corriente, consulte las instrucciones de instalación de la barra de conexión del neutro del transformador de corriente, documento no. 80043-706-xx o 80043-789-xx de Schneider Electric, que viene incluido con el neutro del transformador de corriente.

## Instalación y desmontaje del interruptor automático I-Line

### PELIGRO

#### **PELIGRO DE DESCARGA ELÉCTRICA, EXPLOSIÓN O DESTELLO POR ARQUEO**

- Utilice equipo de protección personal (EPP) apropiado y siga las prácticas de seguridad en trabajos eléctricos establecidas por su Compañía, consulte la norma 70E de NFPA, Z462 de CSA y NOM-029-STPS.
- Solamente el personal eléctrico calificado deberá instalar y prestar servicio de mantenimiento a este equipo.
- Desconecte toda la alimentación que suministra al equipo antes de realizar cualquier trabajo dentro o fuera de él.
- Siempre utilice un dispositivo detector de tensión de valor nominal adecuado para confirmar la desenergización del equipo.
- Todos los espacios sin utilizar deben cubrirse con placas de relleno.
- Vuelva a colocar todos los dispositivos, las puertas y las cubiertas antes de volver a energizar el equipo.

**El incumplimiento de estas instrucciones podrá causar la muerte o lesiones serias.**



## Instalación del interruptor automático I-Line

Consulte la figura 3 en la página 12 para completar las siguientes instrucciones:

1. Desconecte toda la alimentación que suministra al tablero.
2. Retire la barrera del marco interior.
3. Desenergice el interruptor automático. Coloque las mordazas del interruptor automático apoyándolas sobre la pila de barras de manera que el reborde guía, situado en la parte inferior del interruptor automático, esté orientada hacia la ranura de alineación en la base del aislador de la barra, y que los “dedos” del soporte de montaje del interruptor encajen en las ranuras de la bandeja.

**NOTA:** Instale el interruptor automático principal junto a las zapatas principales.

4. Pase un destornillador por el agujero rectangular situado en el soporte de montaje del interruptor automático y por la ranura en la bandeja de montaje. Enganche firmemente el interruptor automático en la pila de barras y alinee el tornillo de sujeción con el agujero de montaje de 7/32 pulg (5,6 mm) en la bandeja.
5. Apriete firmemente el tornillo de sujeción para que no se mueva el interruptor automático.

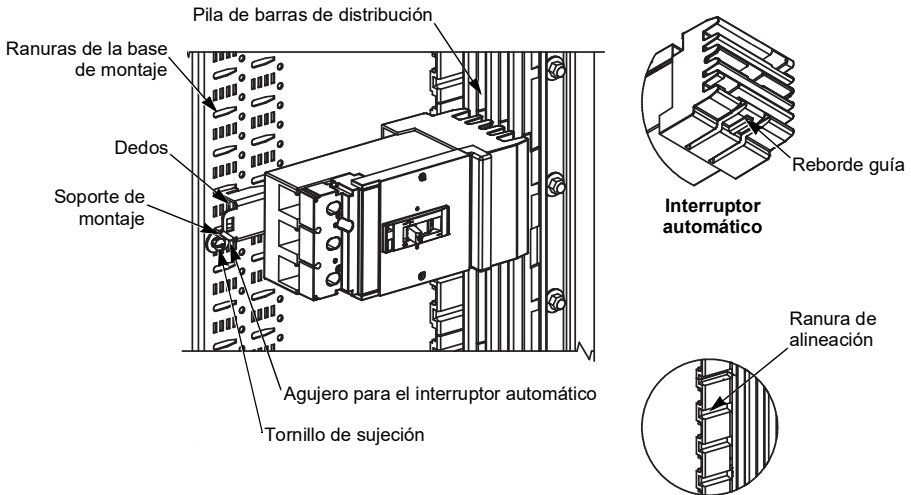
**NOTA:** Asegúrese de apretar el tornillo pero no lo apriete demasiado ya que se puede doblar el soporte de montaje.

6. **Para los interruptores automáticos principales solamente:** Adhiera la etiqueta “Interruptor automático principal” a la cubierta del interruptor.
7. Vuelva a instalar la barrera del marco interior.
8. Vuelva a energizar el tablero.
9. Energice el interruptor automático.

**NOTA:** Los interruptores automáticos I-Line vienen de fábrica con compuesto para juntas aplicado en los conectores enchufables. El compuesto no debe retirarse ya que contribuye al funcionamiento general de la conexión.

Cuando un interruptor automático I-Line se ha desmontado y vuelto a instalar; deberá volver a aplicar compuesto para juntas. Se encuentra disponible para su compra el compuesto para juntas, de 2 onzas, especialmente formulado para los conectores enchufables I-Line (número de catálogo PJC-7201).

**Figura 3: Instalación y desmontaje del interruptor automático I-Line**



### Desmontaje del interruptor automático I-Line

Consulte la figura 3 para completar las siguientes instrucciones.

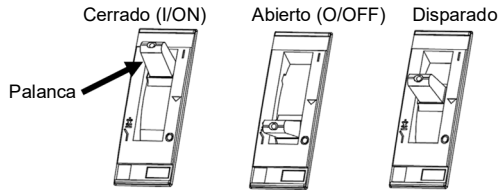
1. Desconecte toda la alimentación que suministra al tablero.
2. Desenergice el interruptor automático.
3. Retire la barrera del marco interior.
4. Afloje los tornillos de sujeción en el soporte de montaje del interruptor automático hasta que éstos estén completamente fuera del agujero de 7/32 pulg (5,6 mm) en la base de montaje.
5. Pase un destornillador por el agujero rectangular situado en el soporte de montaje del interruptor automático y por la ranura en la base de montaje. Desenganche el interruptor automático de la pila de barras.
6. Levante el interruptor automático hasta separarlo de las barras.
7. Instale placas de relleno, identificadas en la etiqueta de información en la parte posterior del frente muerto o del mismo Square D Digest, de donde se retiró el interruptor automático.
8. Asegure las extensiones de la placa de relleno a la barrera del marco interior (solo en los tableros HCPSU, HCP y HCRU) tomando como referencia la Tabla 1 en la página 18. Monte la extensión sobre el soporte de montaje en el frente muerto como se muestra en el boletín de instrucciones 80030-695-02.

9. Vuelva a instalar la barrera del marco interior.
10. Vuelva a energizar el tablero.

### Instrucciones para restablecer el interruptor automático

Si se dispara el interruptor automático, la palanca se encontrará en la posición intermedia entre la posición de abierto (O/OFF) y cerrado (I/ON). Para restablecer el interruptor automático, mueva la palanca a la posición de abierto (O/OFF) y luego a la posición de cerrado (I/ON).

**Figura 4: Posiciones de la palanca del interruptor automático**



### Preparación de la barrera del marco interior

## **⚠ PELIGRO**

### **PELIGRO DE DESCARGA ELÉCTRICA, EXPLOSIÓN O DESTELLO POR ARQUEO**

- Antes de energizar el tablero, todos los espacios sin utilizar deben cubrirse con placas de relleno.
- Vuelva a colocar todos los dispositivos, las puertas y las cubiertas antes de energizar este equipo.

**El incumplimiento de estas instrucciones podrá causar la muerte o lesiones serias.**

## Ensamblados de pila I-Line

### **AVISO**

#### **RIESGO DE MONTAJE INCORRECTO**

- No desarme el ensamble de pila de barras I-Line.
- Si requiere mantenimiento, póngase en contacto con Schneider Electric.

**El incumplimiento de estas instrucciones puede causar daño serio al equipo y anulará su garantía.**

## Ensamblados de neutro sólido I-line

Consulte las instrucciones de instalación de los kits de ensamble de neutro de los tableros I-Line, 80043-846-01, para obtener los números de catálogo de los kits de ensamble de neutro y las instrucciones de instalación correspondientes.

## Tableros equipados con operadores de motor para los interruptores automáticos PowerPact marcos H y J

### PELIGRO

#### **PELIGRO DE DESCARGA ELÉCTRICA, EXPLOSIÓN O DESTELLO POR ARQUEO**

- Utilice equipo de protección personal (EPP) apropiado y siga las prácticas de seguridad eléctrica establecidas por su Compañía, Consulte la norma 70E de NFPA, Z462 de CSA o NOM-029-STPS.
- Solamente el personal eléctrico calificado y propiamente capacitado deberá instalar y prestar servicio de mantenimiento a este equipo.
- Desenergice todas las fuentes de alimentación que suministran a este equipo y desenergice todos los circuitos primarios y secundarios antes de realizar cualquier trabajo dentro o fuera de él.
- El bloqueo del funcionamiento manual o el bloqueo de la cubierta del motor no desconecta el circuito secundario del motor.
- Siempre utilice un dispositivo detector de tensión de valor nominal adecuado para confirmar la desenergización del equipo.
- Siga todos los procedimientos de bloqueo y etiquetado de acuerdo con los requisitos de OSHA.
- No desactive, retire o modifique ningún enclavamiento mecánico ni eléctrico o función de seguridad.

**El incumplimiento de estas instrucciones podrá causar la muerte o lesiones serias.**

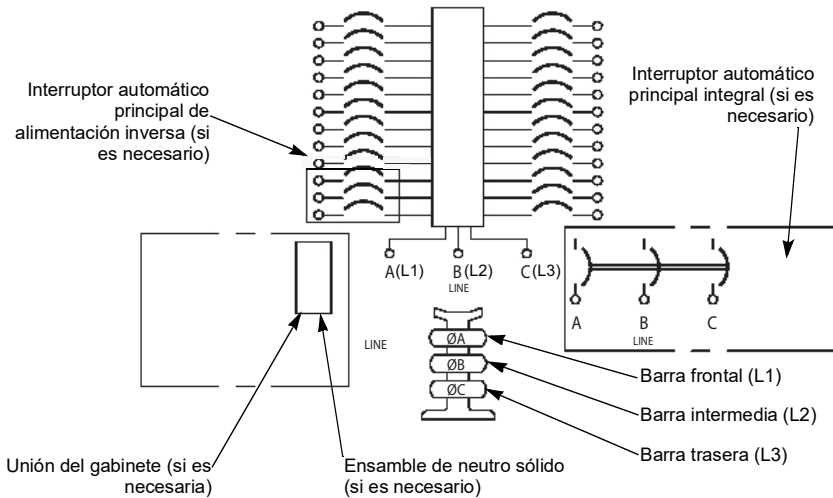
**NOTA: Tableros para su uso en aplicaciones de entrada de acometida en los Estados Unidos instaladas después del 1<sup>ro</sup> de enero del 2017.**

Consulte el boletín de instrucciones 80043-839-01 para obtener información sobre los kits de barrera de entrada de acometida.

## Anexo 1: Especificaciones

### Alambrado típico

Figura 5: Diagrama de alambrado del interruptor automático principal / zapatas principales



**NOTA:** En los sistemas de una fase, la barra intermedia no se utiliza.

**NOTA:** Las conexiones derivadas de las fases deben determinarse en base al interruptor automático seleccionado. Consulte la última versión del compendio al realizar la selección de interruptores automáticos.

**NOTA:** Asegúrese de que la tensión nominal del interruptor automático sea adecuada para el sistema. Es posible utilizar cualquiera de los sistemas de tensión cuando se han seleccionado las unidades apropiadas.

### Valores nominales de los tableros de distribución

Consulte la sección 110-22, edición 2017 del NEC y NOM-001-SEDE y la norma 14-014, edición 2015 de CEC para obtener más información. La etiqueta del sistema en serie se encuentra en la bolsa de accesorios. Las pruebas de cortocircuito son realizadas entre el 100 y

105% de la tensión máxima del tablero. Interiores con el marcado CE cumplen con las normas IEC 61439-1 e IEC 61439-2.

**Tabla 1: Valores nominales del interruptor automático conectado en serie (rcm simétricos)**

Tensión máxima del sistema de ~2	Corriente nominal máxima de cortocircuito	Interruptor principal integral o remoto marca Square D, de 2 ó 3 polos <sup>1</sup>	Interruptor automático derivado marca Square D	
			Designación de no. de catálogo	Polos
120	42,000	MG	FY	1
	65,000	QG, LH	FA, FD	
		QG, BG6, HG, JG, LG, MG, PG	BD6	
	100,000	FJ, QJ	FD	
		QJ, LC	FA	
		LJ	FH	
		QJ, BJ, HJ, JJ, LJ, MJ, PJ	BD6, BG6	
125,000	HL, JL, LL	BD6, BG6, BJ		
200,000	HR, JR	BD6, BG6, BJ		
208Y/120	65,000	QG, BG6, HG, JG, LG, MG, PG	BD6	2, 3
	100,000	QJ	FA, FD	
		QJ, BJ, HJ, JJ, LJ, MJ, PJ	BD6, BG6	
		QJ, PH, PJ, RJ	QD, QG	
240	35,000	MG	FA	1
	42,000	KA	FD	1, 2, 3
		LA, MA	HD, JD, QD	2, 3
	50,000	MG	FA	1
		MG	FA (25 A Max.)	
	65,000	HG, JG	FA, HD	2, 3
		JG	JD, QD	
		QG	FA, FD, QD	
		QG, BG6, HG, JG, LG, MG, PG	BD6	
		LH, MH, PA, PG, RG	HD, JD, QD	
		FG, FH, MH, MX, PJ	FD	
FC, KC, KH, LC, LH		FD, FG	1, 2, 3	
LH		FA		

**Tabla 1: Valores nominales del interruptor automático conectado en serie (rcm simétricos) (continuación)**

Tensión máxima del sistema de ~2	Corriente nominal máxima de cortocircuito	Interruptor principal integral o remoto marca Square D, de 2 ó 3 polos <sup>1</sup>	Interruptor automático derivado marca Square D		
			Designación de no. de catálogo	Polos	
240	65,000	LH	LA	2, 3	
		MG	HD, JD, KA		
		DG	FH, HD, JD, KA, LA, MA		
		LG	HD, JD, KA, LA, MA		
		LG	LD	3	
	85,000	RL	FH, KH	2, 3	
	100,000	FC, KC, LC, LX	FD, FG, FJ	1	
		PH, PJ, RJ	QD, QG	2, 3	
		QJ	FD	2	
		FJ	FD	2, 3	
		LJ	HD, HG, JD, JG, FH, KA, LA, MA, MG		
		LJ	LD, LG	3	
		FC, KC	FA, FH, FD, FG, FJ	2, 3	
		LC, LX	FH, FD, FG, FJ		
		QJ, BJ, HJ, JJ, LJ, MJ, PJ	BD6, BG6		
		KC, LC, LX	KA		
		KC, LC	KH		
		LC	LA, LH, MG		
		LC	FA		1, 2, 3
		HJ, JJ	FA, FH, HD, HG		
		JJ	JD, JG		
		LC, LX, MJ, PJ, RJ	HD, HG, JD, JG		
		MJ	LA, LH		
		DJ	FH, HD, HG, JD, JG, KA, LA, MA, MG	2, 3	
	RL	RG			
	HL, JL	HD, HG, HJ, FA, FH			
	125,000	JL	JD, JG, JJ	2, 3	
		HL, JL, LL	BD6, BG6, BJ		
PC, PH, PL, RL		HD, HG, JD, JG			
PC, PL, RL		HJ, JJ			
FI, KI, LI, LXI		HD, HG, HJ			
KI, LI, LXI		JD, JG, JJ			

ESPAÑOL



**Tabla 1: Valores nominales del interruptor automático conectado en serie (rcm simétricos) (continuación)**

Tensión máxima del sistema de ~2	Corriente nominal máxima de cortocircuito	Interruptor principal integral o remoto marca Square D, de 2 ó 3 polos <sup>1</sup>	Interruptor automático derivado marca Square D	
			Designación de no. de catálogo	Polos
240	200,000	FI, KI, LI, LXI	FD, FG, FJ	1
		FI, KI	FA, FH, FC, FD, FG, FJ	
		LI, LXI	FH, FD, FG, FJ	
		LI	FC	
		HR, JR, LR	BD6, BG6, BJ	
		KI, LI, LXI	KA, QD, QG, QJ	
		LI	KC	
		JR	QD	
277	18,000	LD	FY	1
	25,000	FH, KA	FD	
	35,000	FG, KH, LH	FD	
		DG, LG	FH, FY	
		FC, KC	FH	
		BG6, HG, JG, LG, MG, PG	BD6	
	65,000	FJ	FD	
		FC, KC	FA, FY, FD, FG	
		LC, LX (400 A Max.)	FH	
		LC, LX (600 A Max.)	FY, FD, FG	
		DJ	FH, FY	
		LL	FY	
		LJ	FH, FY	
		BJ, HJ, JJ, LJ, MJ, PJ	BD6, BG6	
	FI, KI	FH		
	100,000	DL, LL	FH, FJ	
		HL, JL, LL	BD6, BG6, BJ	
	200,000	FI, KI	FA, FY, FD, FG, FJ	
		LI, LXI, (400 A Max.)	FH	
		LI, LXI, (600 A Max.)	FY, FD, FG, FJ	
HR, JR		BD6, BG6, BJ		

**Tabla 1: Valores nominales del interruptor automático conectado en serie (rcm simétricos) (continuación)**

Tensión máxima del sistema de ~2	Corriente nominal máxima de cortocircuito	Interruptor principal integral o remoto marca Square D, de 2 ó 3 polos <sup>1</sup>	Interruptor automático derivado marca Square D	
			Designación de no. de catálogo	Polos
480	22,000	MG	FA	2, 3
		MX, PA, PC, PX	FH	
	30,000	KH, LA, MA, PJ	FH	
		LA, MA, PA, PC, PX	KA	
		LA, MA, PA	HD, JD	
		MG	FA (25 A Max.), FH, KA	
		MX, PA	HD, JD	
	35,000	MH	HD, JD	
		HG, JG	FA, HD	
		JG	JD	
		LH, MG, PG, RG	HD, JD	
		BG6, HG, JG, LG, MG, PG	BD6	
		LH	HG, JG	
		DG	FH, HD, JD, KA, LA, MA	
		LG	LD	
	42,000	MJ	FH (25 A Max.)	
		RL	RG	
	50,000	MJ	KA, KH	
	65,000	FC, KC	FA, FH	
		HJ, JJ	FA, FH, HD, HG	
		BJ, HJ, JJ, LJ, MJ, PJ	BD6, BG6	
		JJ	JD, JG	
		LC, LI, LX, LXI	HD, HG, JD, JG	
LC, LX, (400 A Max.)		FH		
KC, LC, LX		KA		
LC, LX		LA		
DJ		FH, HD, HG, JD, JG, KA, LA, MA		
LJ		LD, LG		
LJ	HD, HG, JD, JG, FH, KA, LA, MA			

ESPAÑOL

**Tabla 1: Valores nominales del interruptor automático conectado en serie (rcm simétricos) (continuación)**

Tensión máxima del sistema de ~2	Corriente nominal máxima de cortocircuito	Interruptor principal integral o remoto marca Square D, de 2 ó 3 polos <sup>1</sup>	Interruptor automático derivado marca Square D	
			Designación de no. de catálogo	Polos
480	100,000	HL, JL	FA, FH, HD, HG, HJ	2, 3
		HL, JL, LL	BD6, BG6, BJ	
		JL	JD, JG, JJ	
		LI, LXI (600 A Max.)	KA	
		PC, PH, PL, RL	HJ, JJ	
		RL	RG	
		DL	FH, HD, HG, HJ, JD, JG, JJ, KA, LA, MA	
		LL	LD, LG, LJ	3
		LL	HD, HG, HJ, JD, JG, JJ, FH, KA, LA, MA	2, 3
		JR	FA	
	200,000	FI, KI	FA, FH, FC, HD, HG, HJ	
		KI	JD, JG, JJ, KA	
		HR, JR	BD6, BG6, BJ	
		LI	FC, KA, KC, LA, HJ, HL, JJ, JL	
		LXI	KA, HJ, HL, JJ, JL	
		HR	FA, HD, HG, HJ, HL	
		JR	HD, HG, HJ, HL, JD, JG, JJ, JL	
		LR	HJ, HL, JJ, JL, FH, LA, LH	
	480Y/277	25,000	FH, KA	FD
		35,000	FG, KH, LH	FD
BG6, HG, JG, LG, MG, PG			BD6	
65,000		FJ	FD	
		BJ, HJ, JJ, LJ, MJ, PJ	BD6, BG6	
		FC, KC	FD, FG	
		LC, LX (600 A Max.)	FD, FG	
100,000		HL, JL, LL	BD6, BG6, BJ	
200,000		FI, KI	FD, FG, FJ	
		HR, JR	BD6, BG6, BJ	
	LI, LXI (600 A MAX.)	FD, FG, FJ		

ESPAÑOL

**Tabla 1: Valores nominales del interruptor automático conectado en serie (rcm simétricos) (continuación)**

Tensión máxima del sistema de ~2	Corriente nominal máxima de cortocircuito	Interruptor principal integral o remoto marca Square D, de 2 ó 3 polos <sup>1</sup>	Interruptor automático derivado marca Square D	
			Designación de no. de catálogo	Polos
600	18,000	HG, JG	FA, HD	2, 3
		JG	JD	
		MG, PG, RG	HD, JD	
		MG	FA	
		LG	LD	
		LG	HD, JD	
	25,000	HJ, JJ	FA, HD, HG	2, 3
		JJ	JD	
		PJ, RJ	MG	3
		LJ	LD, LG	
	35,000	LC	FH, HD, HG, HJ, JD, JG, JJ, LA	2, 3
	50,000	HL, JL	FA, HD, HG, HJ	2, 3
		JL	JD, JG, JJ	
		PK	HJ, JJ, MJ	
		LL	LD, LG, LJ	
		LL	HD, HG, HJ, JD, JG, JJ, MA	
	100,000	FI, KI	HD, HG, HJ	2, 3
		KI	JD, JG, JJ	
		KI, LI	FH	
		LI	LA	
		HR	FA, HD, HG, HJ, HL	
		JR	FA, HD, HG, HJ, HL, JD, JG, JJ, JL	
		LR	HJ, HL, JJ, JL	
	600Y/347	18,000	MG	FA (25 A Max.)
25,000		MJ	FA (25 A Max.)	
50,000		HL, JL	FJ	
347	18,000	BG6, HG, JG, LG, MG, PG	BD6	1
	25,000	BJ, HJ, JJ, LJ, MJ, PJ	BD6, BG6	
	50,000	HL, JL	BD6, BG6, BJ	
	100,000	JR	BD6 (60 A Max.), BG6, BJ	

ESPAÑOL

**Tabla 1: Valores nominales del interruptor automático conectado en serie (rcm simétricos) (continuación)**

Tensión máxima del sistema de ~ <sup>2</sup>	Corriente nominal máxima de cortocircuito	Interruptor principal integral o remoto marca Square D, de 2 ó 3 polos <sup>1</sup>	Interruptor automático derivado marca Square D	
			Designación de no. de catálogo	Polos
600Y/347	18,000	BG6, HG, JG, LG, MG, PG	BD6	3
	25,000	BJ, HJ, JJ, LJ, MJ, PJ	BD6, BG6	
	50,000	HL, JL, LL	BD6, BG6, BJ	
	100,000	HR, JR	BD6, BG6, BJ	

<sup>1</sup> LD, LG, LJ y LL se encuentran disponibles en configuraciones de 3 polos solamente.

<sup>2</sup> Para los interruptores automáticos indicados con una tensión inferior al valor máximo, la corriente nominal de cortocircuito indicada también es aplicable pero en la tensión nominal del interruptor automático.

**Tabla 2: Valores nominales de los fusibles conectados en serie (rcm simétricos)**

Tensión máx. del sistema de ~ <sup>1</sup>	Corriente nominal máxima de cortocircuito	Fusible principal remoto		Designación de no. de cat. de los interruptores automáticos derivados marca Square D, de 2 ó 3 polos, a no ser que se indique uno diferente.
		Máx. A	Clase	
120/240 1Ø 208Y/120	100 000	1200 A	L, T (300 V)	QD, QG
		800 A	T (600 V)	
		600 A	J, RK5	
240	65 000	1200 A	L, T (300 V)	QD
		800 A	T (600 V)	
		600 A	J, RK5	
240	100 000	1200 A	L, T (300 V)	QD, QG (2-Pole)
		800 A	T (600 V)	
		600 A	J, RK5	FA, FH, KA, KH, KC, LA, LH, MA, MH, MX, PG FH, KA, KH, LA, LH, MA, MH, MX, PG, HD, HG, HJ, HL, JD, JG, JJ, JL HD, HG, HJ, HL, JD, JG, JJ, JL
			J, T (600 V)	
			RK5	
J				

**Tabla 2: Valores nominales de los fusibles conectados en serie (rcm simétricos) (continuación)**

Tensión máx. del sistema de ~ 1	Corriente nominal máxima de cortocircuito	Fusible principal remoto		Designación de no. de cat. de los interruptores automáticos derivados marca Square D, de 2 ó 3 polos, a no ser que se indique uno diferente.	
		Máx. A	Clase		
240	100 000	800 A	T (600 V)	FH, KA, KH, LA, LH, MA, MH, MX, PG	
			T (300 V)	PG	
			L	FH, KA, KH, LA, LH, MA, MH, MX, PG	
		1200 A	L	FH, KH, LA, LH, MA, MH, MX, PG	
			T (600 V)	HD, HG, HJ, HL, JD, JG, JJ, JL	
	1600/2000 A	L	NA, NC, NX, PJ, PL		
	4000 A	L	HD, HG, HJ, HL, JD, JG, JJ, JL		
	200 000	600 A	J, T (600 V)	FA (3 polos solamente) FH, FC, KH, KC, LA, LH, LC, MA, MH, MX, NA, NC, NX, PG, PJ, PL	
			RK5	FH, FC, HD, HG, HJ, HL, JD, JG, JJ, JL, KH, KC, LA, LH, LC, MA, MH, MX, NC, NX, PG, PJ, PL	
			J	HD, HG, HJ, HL, JD, JG, JJ, JL	
		800 A	T (600 V)	FH, FC, KA, KH, KC, LA, LH, LC, MA, MH, MX, NA, NC, NX, PG, PJ, PL	
			T (300 V)	PG, PJ, PL	
			L	FH, FC, KH, KC, LA, LH, LC, MA, MH, MX, NA, NC, NX, PG, PJ, PL	
		1200 A	L	FC, KH, KC, LC, MA, MH, MX, NA, NC, NX, PG, PJ, PL	
			T (600 V)	HD, HG, HJ, HL, JD, JG, JJ, JL	
		1600/2000 A	L	NA, NC, NX, PJ, PL	
		4000 A	L	HD, HG, HJ, HL, JD, JG, JJ, JL	
	480	100 000	400 A	J, T(600 V)	HD, HG, HJ, HL, JD, JG, JJ, JL
			600 A	J, RK5	HJ, HL, JJ, JL
			600 A	J, T (600 V)	FC, KA, KH, KC, LA, LH, LC, MA, MH, MX, NA, PG, PJ
RK5				FC, KA, KH, KC, LA, LH, LC, MA, MH, MX, NA, PG, PJ	
800 A			L, T(600V)	FC, KA, KH, KC, LA, LH, LC, MA, MH, MX, NA, PG, PJ	
			L	FC, KH, KC, LA, LH, LC, MA, MH, MX, NA, PG, PJ	
1200 A			T (600 V)	HJ, HL, JJ, JL	
			L	KC, LC, MA, MH, MX, NA, PG, PJ	
1600 A			L	KC, LC, MH, MG, MJ, MX, NA, PG, PJ	
2000 A			L	KC, LC, MH, MG, MJ, MX, NA, PG, PJ	
4000 A	L	HJ, HL, JJ, JL			

ESPAÑOL

**Tabla 2: Valores nominales de los fusibles conectados en serie (rcm simétricos) (continuación)**

Tensión máx. del sistema de ~ 1	Corriente nominal máxima de cortocircuito	Fusible principal remoto		Designación de no. de cat. de los interruptores automáticos derivados marca Square D, de 2 ó 3 polos, a no ser que se indique uno diferente.
		Máx. A	Clase	
480	200 000	200 A	RK5	HJ, HL
		400 A	J	FA, FH, FC, HJ, HL, JJ, JL, KA, KH, KC, LA, LH, LC, MA, MH, MX, NA, NC, NX, PG, PJ, PL
			T (600 V)	FA, FH, FC, HJ, HL, JJ, JL, KA, KH, KC, LA, LH, MA, MH, MX, NA, NC, NX
		600 A	J	FC, KA, KH, KC, LA, LH, LC, MA, MH, MX, MG, MJ, NA, NC, NX, PG, PJ, PL
			T(600 V)	KA, KH, KC, LA, LH, MA, MH, MX, NA, NC, NX
			RK5	KC, LA, LH, LC, MA, MH, MX, MG, MJ, NC, NX, PG, PJ
		800 A	T(300 V)	PG, PJ, PL
			T(600 V)	KA, KH, KC, LA, LH, MA, MH, MX, MG, MJ, NA, NC, NX, PG, PJ, PL
			L	KC, LA, LH, LC, MA, MH, MX, NA, NC, NX, PG, PJ, PL
			1200 A	L
1600/2000 A	L	NA, NC, NX		
600	100 000	30 A	CC	HG, JG (Molded Case Switches)
		200 A	J	HD, HG, HJ, HL, JD, JG, JJ, JL
		400 A	J, T (600 V)	HJ, HL, JJ, JL

<sup>1</sup> Para los interruptores automáticos indicados con una tensión inferior a este valor máximo. La corriente nominal de cortocircuito indicada también es aplicable, pero en la tensión nominal del interruptor automático.

**Tabla 3: Selectividad de interruptores automáticos para aplicaciones críticas en tableros NF**

SCCR máxima (simétricos rcm)	Interruptores automáticos principales integral o remoto	Interruptores automáticos derivados			
		Tipo <sup>1</sup>	1 polo	2 polos	3 polos
Valor nominal en serie y selectivo hasta 18 kA en 240 V~	J-W, 250 A	ED, EG, EJ	15-70	15-125	15-125
Valor nominal en serie y selectivo hasta 7 kA en 480Y/277 V~	J-W, 250 A	ED, EG, EJ	15-70	70-125	70-125
Valor nominal en serie y selectivo hasta 10 kA en 480Y/277 V~	J-W, 250 A	ED, EG, EJ	15-60	15-60	15-60

**Tabla 3: Selectividad de interruptores automáticos para aplicaciones críticas en tableros NF (continuación)**

SCCR máxima (simétricos rcm)	Interruptores automáticos principales integral o remoto	Interruptores automáticos derivados			
		Tipo <sup>1</sup>	1 polo	2 polos	3 polos
Valor nominal en serie y selectivo hasta 30 kA en 480Y/277 V~ o en 240 V~	L-W, 250 A L-W, 400 A L-W, 600 A	ED, EG, EJ	15-70	15-125	15-125

<sup>1</sup> Incluyendo los interruptores automáticos EPD

**Tabla 4: Selectividad de interruptores automáticos para aplicaciones críticas en tableros NQ**

SCCR máxima (simétricos rcm)	Interruptores automáticos principales integral o remoto	Interruptores automáticos derivados			
		Tipo <sup>1</sup>	1 polo	2 polos	3 polos
Valor nominal total y selectivo hasta 10 kA en 208Y/120 V~ o en 240/120 V~	J-W, 250 A L-W, 250 A	QO(B)	10-70	10-125	10-125
		QO(B)-H			
		QO(B)-VH			
		QH			
Valor nominal en serie y selectivo hasta 12 kA en 208Y/120 V~ o en 240/120 V~	J-W, 250 A	QO(B)	10-70	10-125	10-60
		QO(B)-H			
		QO(B)-VH			
		QH			
Valor nominal en serie y selectivo hasta 15 kA en 208Y/120 V~ o en 240/120 V~	J-W, 250 A	QO(B)	10-60	10-60	10-30
		QO(B)-H			
		QO(B)-VH			
		QH			
Valor nominal en serie y selectivo hasta 18 kA en 208Y/120 V~ o en 240/120 V~	J-W, 250 A	QO(B)	10-30	10-30	—
		QO(B)-H			
		QO(B)-VH			
		QH			
	L-W, 250 A	QO(B)	10-60	10-60	10-60
		QO(B)-H			
		QO(B)-VH			
		QH			



**Tabla 4: Selectividad de interruptores automáticos para aplicaciones críticas en tableros NQ**

SCCR máxima (simétricos rcm)	Interruptores automáticos principales integral o remoto	Interruptores automáticos derivados			
		Tipo <sup>1</sup>	1 polo	2 polos	3 polos
Valor nominal en serie y selectivo hasta 30 kA en 208Y/120 V~ o en 240/120 V~	L-W, 400 A L-W, 600 A	QO(B)	15-70	15-150	15-150
		QO(B)-H			
		QO(B)-VH			
		QH			

<sup>1</sup> Incluyendo los interruptores automáticos AFI, CAFI, EPD y GFI

**Corriente nominal de cortocircuito adicional**

Las zapatas enchufables I-Line marca Square D, instaladas en este tablero y protegidas por interruptores automáticos marca Square D recomendados, son adecuadas para utilizarse en lugares donde la corriente de cortocircuito disponible no sea mayor que la corriente que figura en la siguiente tabla. La corriente nominal de cortocircuito no puede exceder el valor nominal marcado en el interruptor automático de protección. Los interruptores automáticos de protección pueden ser principales o, si están enchufados en la misma pila de barras I-Line, pueden estar en el lado de la carga proveniente de las zapatas enchufables.

**Tabla 5: Corriente nominal de cortocircuito para zapatas enchufables con interruptores automáticos de protección<sup>1</sup>**

Números de catálogo y valores nominales en A	Interruptores automáticos de protección			Corriente máxima de cortocircuito disponible	
	Prefijo de no. de cat.	Cantidad de polos	Máximo en A	kA simétricos rcm	Volts ~
SL100, 100 A SL225, 225 A SL250, 250 A	FA	2, 3	100	25	240
				18	480
				14	600
SL400, 400 A SL800, 800 A SL800M5, 800 A	FH	2, 3	100	65	240
				25	480
				18	600
SL1200, 1200 A SL1200P5, 1200 A	FD	2, 3	100	25	240
				18	480Y
SL1200P6, 1200 A SL1200P7, 1200 A	FG	2, 3	100	65	240
				35	480Y
S33930, 1200 A S33931, 1200 A	FJ	2, 3	100	100	240
				65	480Y

**Tabla 5: Corriente nominal de cortocircuito para zapatas enchufables con interruptores automáticos de protección<sup>1</sup> (continuación)**

Números de catálogo y valores nominales en A	Interruptores automáticos de protección			Corriente máxima de cortocircuito disponible			
	Prefijo de no. de cat.	Cantidad de polos	Máximo en A	kA simétricos rcm	Volts ~		
SL225, 225 A SL400, 400 A SL800, 800 A SL800M5, 800 A SL1200, 1200 A SL1200P5, 1200 A SL1200P6, 1200 A SL1200P7, 1200 A S33930, 1200 A S33931, 1200 A	KA	2, 3	225	42	240		
				25	480		
				22	600		
	KH	2, 3	225	225	65	240	
					35	480	
					25	600	
	KC	2, 3	225	225	100	240	
					65	480	
	KI	2, 3	225	225	200	240	
					200	480	
					100	600	
	SL400, 400 A SL800, 800 A SL800M5, 800 A SL1200, 1200 A SL1200P5, 1200 A SL1200P6, 1200 A SL1200P7, 1200 A SL33930, 1200 A SL33931, 1200 A	DG	3	400	65	240	
35					480		
DJ		3	400	400	100	240	
					65	480	
DL		3	400	400	125	240	
					100	480	
					100	480	
SL800, 800 A SL800M5, 800 A SL1200, 1200 A SL1200P5, 1200 A SL1200P6, 1200 A SL1200P7, 1200 A S33930, 1200 A S33931, 1200 A		DG	3	600	65	240	
					35	480	
		DJ	3	600	600	100	240
						65	480
		DL	3	600	600	125	240
	100					480	
SL250, 250 A SL400, 400 A SL800, 800 A SL800M5, 800 A SL1200, 1200 A SL1200P5, 1200 A SL1200P6, 1200 A SL1200P7, 1200 A S33930, 1200 A S33931, 1200 A	HD/JD	2, 3	150/250	25	240		
				18	480		
				14	600		
	HG/JG	2, 3	150/250	150/250	65	240	
					35	480	
					18	600	
	HJ/JJ	2, 3	150/250	150/250	100	240	
					65	480	
					25	600	
	HL/JL	2, 3	150/250	150/250	125	240	
					100	480	
					50	600	
	HR/JR	2, 3	150/250	150/250	200	240	
					200	480	
					100	600	
	KI	2, 3	250	250	200	240	
					200	480	
					100	600	

**Tabla 5: Corriente nominal de cortocircuito para zapatas enchufables con interruptores automáticos de protección<sup>1</sup> (continuación)**

Números de catálogo y valores nominales en A	Interruptores automáticos de protección			Corriente máxima de cortocircuito disponible		
	Prefijo de no. de cat.	Cantidad de polos	Máximo en A	KA simétricos rcm	Volts ~	
SL400, 400 A SL800, 800 A SL800M5, 800 A SL1200, 1200 A SL1200P5, 1200 A SL1200P6, 1200 A SL1200P7, 1200 A S33930, 1200 A S33931, 1200 A	LA	2, 3	400	42	240	
				30	480	
				22	600	
	LH	2, 3	400	400	65	240
					35	480
					25	600
	LD	3	400	400	25	240
					18	480
					14	600
	LG	3	400	400	65	240
					35	480
					18	600
	LJ	3	400	400	100	240
					65	480
					25	600
	LL	3	400	400	125	240
					100	480
					50	600
	LR	3	400	400	200	240
					200	480
					100	600
SL400, 400 A SL800, 800 A SL1200, 1200 A S33930, 1200 A S33931, 1200 A	LC/LX	2, 3	400	100	240	
				65	480	
	LI/LXI	2, 3	400	400	35	600
					200	240
					200	480
100	600					
SL800, 800 A SL800M5, 800 A SL1200, 1200 A SL1200P5, 1200 A SL1200P6, 1200 A SL1200P7, 1200 A S33930, 1200 A S33931, 1200 A	LD	3	600	25	240	
				18	480	
				14	600	
	LG	3	600	600	65	240
					35	480
					18	600
	LJ	3	600	600	100	240
					65	480
					25	600
	LL	3	600	600	125	240
					100	480
					50	600
	LR	3	600	600	200	240
					200	480
					100	600

**Tabla 5: Corriente nominal de cortocircuito para zapatas enchufables con interruptores automáticos de protección<sup>1</sup> (continuación)**

Números de catálogo y valores nominales en A	Interruptores automáticos de protección			Corriente máxima de cortocircuito disponible	
	Prefijo de no. de cat.	Cantidad de polos	Máximo en A	kA simétricos rcm	Volts ~
SL800, 800 A SL1200, 1200 A S33930, 1200 A S33931, 1200 A	LC/LX	2, 3	600	100	240
				65	480
				35	600
	LI/LXI	2, 3	600	200	240
				200	480
				100	600
	MA	2, 3	800	42	240
				30	480
				22	600
	MH/MX	2, 3	800	65	240
				65	480
				25	600
SL800M5, 800 A SL1200P5, 1200 A SL1200P6, 1200 A SL1200P7, 1200 A	MG, PG	2, 3	800	65	240
				35	480
				18	600
	MJ, PJ	2, 3	800	100	240
				65	480
				25	600
	PK	2, 3	800	65	240
				50	480
				50	600
	PL	2, 3	800	125	240
				100	480
				25	600
MA/MH/MX	2, 3	800	65	240	
			65	480	
			25	600	
SL1200, 1200 A S33930, 1200 A	NA	2, 3	1200	100	240
				50	480
				25	600
	NC/NX	2, 3	1200	125	240
				100	480
				65	600

ESPAÑOL

**Tabla 5: Corriente nominal de cortocircuito para zapatas enchufables con interruptores automáticos de protección<sup>1</sup> (continuación)**

Números de catálogo y valores nominales en A	Interruptores automáticos de protección			Corriente máxima de cortocircuito disponible	
	Prefijo de no. de cat.	Cantidad de polos	Máximo en A	KA simétricos rcm	Volts ~
SL1200P5, 1200A SL1200P6, 1200A SL1200P7, 1200A	PG/RG	2, 3	1200	65	240
				35	480
				18	600
	PJ/RJ	2, 3	1200	100	240
				65	480
				25	600
	PK	2, 3	1200	65	240
				50	480
				50	600
	RK	2, 3	1200	65	240
				65	480
				65	600
	PL	2, 3	1200	125	240
				100	480
				25	600
	RL	2, 3	1200	125	240
				100	480
				50	600
S33930, 1200 A S33931, 1200 A	MG	2, 3	800	65	240
				35	480
	PG	2, 3	1200	18	600
				100	240
	MJ	2, 3	800	65	480
				25	600
	PJ	2, 3	1200	65	240
50				480	
PK	2, 3	1200	50	600	
			125	240	
PL	2, 3	1200	100	480	
			65	240	
S33930, 1200 A	RG	2, 3	1200	65	240
				35	480
				18	600
	RJ	2, 3	1200	100	240
				65	480
				25	600
	RL	2, 3	1200	125	240
				100	480
				50	600
RK	2, 3	1200	65	240/480/600	

<sup>1</sup> Los kits SL, S33930, S33931, SL1200P5, SL1200P6, SL1200P7 tienen un valor nominal de 1200 A y pueden ser usados con cargas de 1200 A cuando se instalan únicamente en el lado ancho de los tableros HCRU.

## Marcado CE

Interiores con el marcado "CE" cumplen con las especificaciones de las normas IEC 61439-1 e IEC 61439-2.

Los interiores con zapatas principales y marcado "CE" han sido probados para soportar 42 000 amperes simétricos rcm durante 30 ciclos.

Sólo los interruptores automáticos registrados por IEC pueden usarse con interiores con el marcado "CE" y, la corriente nominal de corto circuito del interior se ve limitada por el valor nominal más bajo del interruptor automático derivado registrado por IEC a no ser que haya sido clasificado para su uso en serie con un interruptor principal también registrado por IEC según la tabla 1. (Consulte el Compendiado para obtener detalles).

## Anexo 2: Kits de accesorios

Se encuentran disponibles una variedad de kits de accesorios de instalación en campo para los tableros de distribución I-Line:

- Kits de barra de tierra del equipo, en la página 32
- Kits de enclavamiento mecánico, en la página 33
- Kits de zapatas principales, en la página 34
  - Kits de zapatas de compresión Versatile y zapatas Versa-Crimp–Aluminio, en la página 34
  - Kits de zapatas de compresión Versatile y zapatas Versa-Crimp–Cobre, en la página 34
- Kits de zapatas de interruptor automático, en la página 35
  - Kits de zapatas de compresión Versa-Crimp y Versatile, página 35

## Kits de barra de tierra del equipo

Los kits de barras de tierra del equipo son adecuadas para conductores de cobre o aluminio y cumplen con los requisitos de conexión a tierra de los tableros I-Line. Seleccione el kit necesario de acuerdo con el número de catálogo del interior. Los kits se pueden instalar en campo.


**Tabla 6: Especificaciones de los kits de barras de tierra del equipo**

Tablero	Utilice el kit de barras de tierra con número de catálogo	
	Aluminio <sup>1</sup>	Cobre <sup>2</sup>
HCN	PK27GTA	PK27GTACU
HCM, HCJ, HCRU y HCP	PK32DGTA	PK32DGTACU

<sup>1</sup> Barras de aluminio adecuadas para conductores de Cu o Al de 60° C o 75° C.

<sup>2</sup> Barras de cobre adecuadas para conductores de Cu de 60° C o 75° C.

**NOTA:** Las ubicaciones de montaje de las barras de puesta a tierra han sido identificadas por el símbolo de

tierra  estampado en la pared trasera del gabinete.

## Kits de enclavamiento mecánico

Los kits se pueden instalar en campo.

**Tabla 7: Especificaciones de los enclavamientos mecánicos**

Número de catálogo	Combinaciones de interruptor automático		Tipo de tablero
	principal	auxiliar	
HFK3DTI	FA	FA	HCN, HCM, HCJ, HCRU y HCP
HFM3DTI	LA	FA	HCRU
HLM3DTI	LA	LA	HCP, HCRU
HPFK3DTI	MG/MJ	FA/KA	HCP, HCPSU, HCRU
HPHJ3DTI	MG/MJ	H/J	HCP, HCPSU, HCRU
HPL3DTI	MG/MJ	LA	HCP, HCPSU, HCRU
HPP3DTI	MG/MJ	MG/MJ	HCP, HCPSU, HCRU

## Kits de zapatas principales

Los kits Versa-Crimp® y Versatile™ pueden ser instalados en campo.

**Tabla 8: Kits de zapatas de compresión Versatile y zapatas Versa-Crimp- Aluminio**

Tablero (A)	Tamaño de conductor	No. de catálogo del kit	Herramienta Versa-Crimp®	Kit de adaptador de zapatas de compresión
225 A	4–300 kcmil AL/CU 21,1–151 mm <sup>2</sup>	VCEL030516H1	VC-6 Series	—
400 A				HCN400VCA HCM400VCA HCW400VCA
	500–750 kcmil AL 253–380 mm <sup>2</sup>	VCEL07512H1	VC-6FT, VC-8	—
600 A	2/0–500 kcmil AL/CU 67,4–253 mm <sup>2</sup>	VCEL05038H1	VC-6 FT	HCN600VCA HCM600VCA HCW600VCA
800 A		VCEL05012H1		HCM800VCA HCW800VCA
1200 A		500–750 kcmil AL 253–380 mm <sup>2</sup> 500 kcmil CU 253 mm <sup>2</sup>		VCEL07512H1 <sup>1</sup>

<sup>1</sup> Al instalar esta zapata, se deberá agregar la extensión de caja HC4212DEX (F o S) en el extremo para cables entrantes del gabinete.

**Tabla 9: Kits de zapatas de compresión Versatile y zapatas Versa-Crimp- Cobre**

Tablero (A)	Tamaño de conductor	No. de catálogo del kit	Herramienta Versa-Crimp®	Kit de adaptador de zapatas de compresión
225 A	2/0–300 kcmil CU 67,4–151 mm <sup>2</sup>	VCELC03038H1	VC-6-3 VC7 VC6-FT VC7-FT	—
400 A				HCN400VCA HCM400VCA HCW400VCA
	400–750 kcmil CU 203–380 mm <sup>2</sup>	VCELC07512H1	VC-6FT VC7-FT VC8	—
600 A	250–500 kcmil CU 127–253 mm <sup>2</sup>	VCELC05012H1	VC6-3 VC7 VC6-FT VC7-FT	HCN600VCA HCM600VCA HCW600VCA
800 A				HCM800VCA HCW800VCA
1200 A				400–750 kcmil CU 203–380 mm <sup>2</sup>



## Kits de zapatas de interruptor automático

Los kits Versa-Crimp® y Versatile™ pueden ser instalados en campo.

**Tabla 10: Kits de zapatas de compresión Versatile y zapatas Versa-Crimp 1**

Aluminio	Tamaño de conductor 2	Herramienta Versa-Crimp	Cobre	Tamaño de conductor 2	Herramienta Versa-Crimp
VC100FA VC100FD	8–1/0 8,36–53,5 mm <sup>2</sup>	VC-6	CVC100FA CVC100FD	6–1/0 CU 13,3–53,5 mm <sup>2</sup>	Serie VC-6
VC250KA3	4–300 kcmil 21,1–151 mm <sup>2</sup>		CVC250KA3	2/0–300 kcmil CU 67,4–151 mm <sup>2</sup>	
VC250KA35	250–350 kcmil 127–177 mm <sup>2</sup>		CVC400LA3	4–300 kcmil CU 21,1–151 mm <sup>2</sup>	
VC400LA35	250–350 kcmil 127–177 mm <sup>2</sup>		CVC400LA5 CVC600MA5	250–500 kcmil CU 127–253 mm <sup>2</sup>	
VC400LA3	4–300 kcmil 21,1–151 mm <sup>2</sup>		CVC1200NE5	2/0–500 kcmil 67,4–253 mm <sup>2</sup>	
VC400LA5	2/0–500 kcmil 67,4–253 mm <sup>2</sup>				
VC400LA7	500–750 kcmil AL 253–380 mm <sup>2</sup> 500 kcmil CU 253 mm <sup>2</sup>	VC-6 FT VC-8	CVC1200NE7	500–750 kcmil AL 253–380 mm <sup>2</sup> 500 kcmil CU 253 mm <sup>2</sup>	
VC400LA7	2/0–500 kcmil 67,4–253 mm <sup>2</sup>	Serie VC-6			
VC800MA7	500–750 kcmil AL 253–380 mm <sup>2</sup> 500 kcmil CU 253 mm <sup>2</sup>	VC-6 FT VC-8			
VC1200NE5	2/0–500 kcmil 67,4–253 mm <sup>2</sup>	Serie VC-6			
VC1200NE7	500–750 kcmil AL 253–380 mm <sup>2</sup> 500 kcmil CU 253 mm <sup>2</sup>	VC-6 FT VC-8			
LV426989 (Marco B)	# 8–1/0 AWG	V-6, VC-6 FT	LV426987 (Marco B)	# 6–1/0 AWG	V-6, VC-6 FT
YA060HD	# 6–#2 AWG	3	CYA060HD	# 6–1/0 AWG CU	3
YA150HD	# 1–4/0 AWG		CYA150JD	# 4–2/0 AWG CU	
YA150JD	# 1–3/0 AWG		CYA150HD	# 6–1/0 AWG CU	
YA250J35	3/0–350 kcmil		CYA250J3	1/0–350 kcmil CU	

1 Asegúrese siempre de que las zapatas de compresión estén instaladas en los tableros de distribución que proveerán el espacio necesario para el doblado de los cables según las especificaciones del artículo 312.6, edición 2017 del NEC (NOM-001-SEDE).

2 A no ser que se especifique algo diferente, el tamaño de los conductores es aplicable para ambos, de aluminio y cobre.

3 Utilice herramientas de compresión de acuerdo con las instrucciones incluidas con cada kit de zapatas.

**Tabla 11: Kits de zapatas de compresión para los interruptores automáticos marcos L, MG, MJ, P y R <sup>1</sup>**

Aluminio	Tamaño de conductor <sup>2</sup>	Herramienta Versa-Crimp	Cobre	Tamaño de conductor <sup>2</sup>	Herramienta Versa-Crimp
YA250P3	2/0–300 kcmil 67,4–151 mm <sup>2</sup>	4, 5	CYA400P5	4/0–500 kcmil CU 107–253 mm <sup>2</sup>	4, 5
YA300P5	4/0–500 kcmil 107–253 mm <sup>2</sup>		CYA600P5	4/0–500 kcmil CU 107–253 mm <sup>2</sup>	
YA400P3	2/0–300 kcmil 67,4–151 mm <sup>2</sup>		CYA800P7	500–750 kcmil CU 253–380 mm <sup>2</sup>	
YA400P7	500–750 kcmil 253–380 mm <sup>2</sup>		CYA1200R5	4/0–500 kcmil CU 107–253 mm <sup>2</sup>	
YA600P5	4/0–500 kcmil 107–253 mm <sup>2</sup>		CYA1200R7	500–750 kcmil CU 253–380 mm <sup>2</sup>	
YA800P7 <sup>3</sup>	500–750 kcmil 253–380 mm <sup>2</sup>				
YA1200R3	2/0–300 kcmil 67,4–151 mm <sup>2</sup>				
YA1200R5	4/0–500 kcmil 107–253 mm <sup>2</sup>				
YA1200R7	500–750 kcmil 253–380 mm <sup>2</sup>				
YA400L31K3 <sup>7</sup>	#4–300 kcmil		4	CYA400L31K3 <sup>7</sup>	
YA600L32K3 <sup>7</sup>	21–151 mm <sup>2</sup>	CYA600L32K3 <sup>7</sup>		67,4–151 mm <sup>2</sup>	
YA400L51K3 <sup>7</sup>	2/0–500 kcmil	CYA400L51K3 <sup>7</sup>		250–500 kcmil	
YA600L52K3 <sup>7</sup>	67,4–253 mm <sup>2</sup>	CYA600L52K3 <sup>7</sup>		127–253 mm <sup>2</sup>	
YA400L71K3 <sup>6, 7</sup>	500–750 kcmil 253–380 mm <sup>2</sup>				

- Asegúrese siempre de que las zapatas de compresión estén instaladas en los tableros de distribución que proveerán el espacio necesario para el doblez de los cables según las especificaciones del artículo 312.6, edición 2017 del NEC (NOM-001-SEDE).
- A no ser que se especifique algo diferente, el tamaño de los conductores es aplicable para ambos, de aluminio y cobre
- Cuando esta zapata es instalada en un interruptor automático principal montado verticalmente, en un interior HCP, agregue una extensión de caja HC4212DEX (F o S) en el extremo del gabinete.
- Utilice herramientas de compresión de acuerdo con las instrucciones incluidas con cada kit de zapatas.
- Asegúrese siempre de que las zapatas de compresión estén instaladas en los tableros de distribución que proveerán el espacio necesario para el doblez de los cables según las especificaciones del artículo 312.6, edición 2017 del NEC (NOM-001-SEDE). Los tableros I-Line con un gabinete tipo 1 necesitan una caja extendida de 127 mm (5 pulg) a lo ancho cuando los interruptores automáticos derivados emplean estas zapatas (estas zapatas de compresión no se pueden utilizar en gabinetes a prueba de intemperie). Póngase en contacto con su representante local de Schneider Electric para obtener asistencia.
- Esta zapata se puede instalar solamente en tableros HCP/HCPSPU con gabinetes tipo 1 con una extensión lateral de 127 mm (5 pulg) de ancho.
- Para los interruptores automáticos marco L solamente.

## Kits de extensión

Consulte el Boletín de instrucciones 80043-350-04 y el catálogo más reciente de Square D actual para obtener información sobre los kits de extensión de caja.



**Tableros de distribución de alimentación con interruptores automáticos I-Line™**  
**Boletín de instrucciones**

Importado en México por:  
**Schneider Electric México, S.A. de C.V.**  
Calz. J. Rojo Gómez 1121-A  
Col. Gpe. del Moral 09300 México, D.F.  
Tel. 55-5804-5000  
[www.schneider-electric.com.mx](http://www.schneider-electric.com.mx)

Solamente el personal especializado deberá instalar, hacer funcionar y prestar servicios de mantenimiento al equipo eléctrico. Schneider Electric no asume responsabilidad alguna por las consecuencias emergentes de la utilización de este material.

© 1996–2021 Schneider Electric Reservados todos los derechos Schneider Electric y Square D son marcas comerciales de Schneider Electric Industries SAS o sus compañías afiliadas. Todas las otras marcas comerciales son propiedad de sus respectivos propietarios.

80043-309-20 Rev. 08, 01/2021  
Reemplaza 80043-309-20 Rev.07, 01/2020

# Panneaux de distribution d'alimentation à disjoncteurs I-Line<sup>MC</sup>

Manuel d'information  
Class 2110

Directives d'utilisation

80043-309-20 Rev. 08

À conserver pour usage ultérieur.



FRANÇAIS



by **Schneider** Electric

## Catégories de dangers et symboles spéciaux

Lisez soigneusement ces directives et examinez l'appareillage afin de vous familiariser avec lui avant son installation, son fonctionnement ou son entretien. Les messages spéciaux qui suivent peuvent apparaître dans ce document ou sur l'appareillage. Ils vous avertissent de dangers potentiels ou attirent votre attention sur des renseignements pouvant éclaircir ou simplifier une procédure.



L'ajout de l'un ou l'autre des symboles à une étiquette de sécurité « Danger » ou « Avertissement » vous indique qu'un danger électrique existe et qu'il pourra y avoir des blessures corporelles si les directives ne sont pas suivies.

Ceci est le symbole d'une alerte de sécurité. Il sert à vous avertir d'un danger potentiel de blessures corporelles. Respectez toutes les consignes de sécurité accompagnant ce symbole pour éviter toute situation potentielle de blessure ou de mort.

### **DANGER**

**DANGER** indique une situation de danger imminent qui, si elle n'est pas évitée, **entraînera** la mort ou des blessures graves.

### **AVERTISSEMENT**

**AVERTISSEMENT** indique une situation de danger potentiel qui, si elle n'est pas évitée, **peut entraîner** la mort ou des blessures graves.

### **ATTENTION**

**ATTENTION** indique une situation de danger potentiel qui, si elle n'est pas évitée, **peut entraîner** des blessures mineures ou modérées.

### **AVIS**

**AVIS** est utilisé pour commenter des pratiques sans rapport avec les blessures physiques. Le symbole d'alerte de sécurité n'est pas employé avec ce mot de signalement.

**REMARQUE** : Fournit des renseignements complémentaires pour clarifier ou simplifier une procédure.

## Veillez noter

Seul un personnel qualifié doit effectuer l'installation, l'utilisation, l'entretien et la maintenance du matériel électrique. Schneider Electric n'assume aucune responsabilité des conséquences éventuelles découlant de l'utilisation de cette documentation.

## Table des matières

Introduction	4
Mesures de sécurité	4
Installation	5
Montage de l'intérieur dans des coffrets de la marque Square D	5
Montage en surface (coffret monté sur un mur)	6
Montage encastré (coffret encastré dans le mur)	6
Installation de la tresse de mise à la masse du neutre	8
Installation normale de la tresse de mise à la masse du neutre	9
Installation de la tresse de mise à la masse du neutre du transformateur de courant	11
Installation et démontage du disjoncteur I-Line	11
Installation du disjoncteur I-Line	12
Démontage du disjoncteur I-Line	13
Directives de réarmement du disjoncteur	14
Préparation de la cloison de la garniture intérieure	14
Assemblages d'empilements I-Line	15
Assemblage de neutre direct I-Line	15
Panneaux de distribution équipés d'opérateurs à moteur pour les disjoncteurs PowerPact à châssis H et J	16
Annexe 1 : Spécifications	17
Câblage typique	17
Valeurs nominales du panneau de distribution	18
Courant nominal de court-circuit supplémentaire	28
Marquage CE	32
Annexe 2 : Kits d'accessoires	33
Kit de barre de m.à.l.t. de l'appareil	34
Kits d'interverrouillage mécanique	34
Kits de cosses principales	35
Kits de cosses du disjoncteur	36
Trousse d'extension	37

## Introduction

Ce bulletin contient les directives pour l'installation des panneaux de distribution à disjoncteurs I-Line<sup>MC</sup> de la marque Square D<sup>MC</sup>. Ces panneaux de distribution sont inscrits UL (cULus) et acceptent les disjoncteurs de dérivation I-Line.



Pour obtenir une assistance technique sur l'installation de ce panneau de distribution, contacter le centre d'informations à la clientèle Schneider Electric au 1-888-778-2733 (É.-U.).



Consulter les étiquettes sur l'appareil pour les renseignements des valeurs nominales et de sécurité. Des étiquettes supplémentaires pour l'appareil sont fournies avec ce document.

## Mesures de sécurité

### **⚠ DANGER**

#### **RISQUE D'ÉLECTROCUTION, D'EXPLOSION OU ÉCLAIR D'ARC ÉLECTRIQUE**

- Portez un équipement de protection personnelle (ÉPP) approprié et observez les méthodes de travail électrique sécuritaire. Voir NFPA 70E, CSA Z462 ou NOM-029-STPS.
- Seul un personnel qualifié doit effectuer l'installation et l'entretien de cet appareil.
- Coupez l'alimentation de l'appareil avant d'y travailler.
- Utilisez toujours un dispositif de détection de tension à valeur nominale appropriée pour s'assurer que l'alimentation est coupée.
- Lisez et comprenez entièrement ces directives d'utilisation et la dernière édition de la publication des normes NEMA PB 1.1 incluse avant d'installer, d'utiliser ou d'assurer l'entretien de cet appareil.
- Les codes locaux varient mais sont adoptés et appliqués pour assurer des installations électriques sécuritaires. C'est peut-être nécessaire d'avoir un permis pour exécuter des travaux sur des circuits électriques et certains codes peuvent exiger que le travail électrique accompli soit inspecté.
- Remplacez tous les dispositifs, les portes et les couvercles avant de mettre l'appareil sous tension.

**Si ces directives ne sont pas respectées, cela entraînera la mort ou des blessures graves.**





**AVERTISSEMENT:** Ce produit peut vous exposer à des agents chimiques, y compris composés de nickel, identifiés par l'État de Californie comme pouvant causer le cancer, et Bisphénol A (BPA) reconnu par l'État de Californie comme pouvant causer des malformations congénitales ou autres troubles de l'appareil reproducteur. Pour de plus amples informations, prière de consulter [www.P65Warnings.ca.gov](http://www.P65Warnings.ca.gov).

## Installation

Cette section fournit les directives pour les procédures suivantes concernant les panneaux de distribution I-Line :

- Montage de l'intérieur dans des coffrets de la marque Square D, à la page 5
- Installation de la tresse de mise à la masse du neutre, à la page 8
- Installation et démontage du disjoncteur I-Line, à la page 11
- Préparation de la cloison de la garniture intérieure, à la page 14

### Montage de l'intérieur dans des coffrets de la marque Square D

Une publication séparée, intitulée « Directives générales pour l'installation, le fonctionnement et l'entretien des panneaux de distribution d'une valeur nominale de 600 V ou moins » (NEMA PB1.1-2007) a été fournie avec cet appareil. Se familiariser avec le contenu de ce document avant d'entreprendre l'une quelconque des procédures ci-après.

Si un exemplaire de cette publication n'était pas joint, ou si des questions se posent concernant cet appareil, contacter le distributeur local ou un représentant de Schneider Electric.

## AVIS

### **RISQUE DE CHALEUR EXCESSIVE DUE À UN RACCORDEMENT DÉFAIT OU LÂCHE**

- Assurez-vous que tous les raccordements sont correctement serrés.
- Reportez-vous à l'étiquette de renseignements sur les couples de serrage, placée sur le panneau de distribution, avant de serrer les raccordements.

**Si ces directives ne sont pas respectées, cela peut entraîner des dommages matériels.**

Pour monter et installer correctement le coffret du panneau de distribution I-Line, consulter la publication NEMA PB 1.1-2007 et observer les directives ci-dessous concernant Montage en surface (coffret monté sur un mur) ou Montage encastré (coffret encastré dans le mur).

Les panneaux de distribution I-Line doivent être installés avec l'empilement de barres-bus en position verticale uniquement.

#### Montage en surface (coffret monté sur un mur)

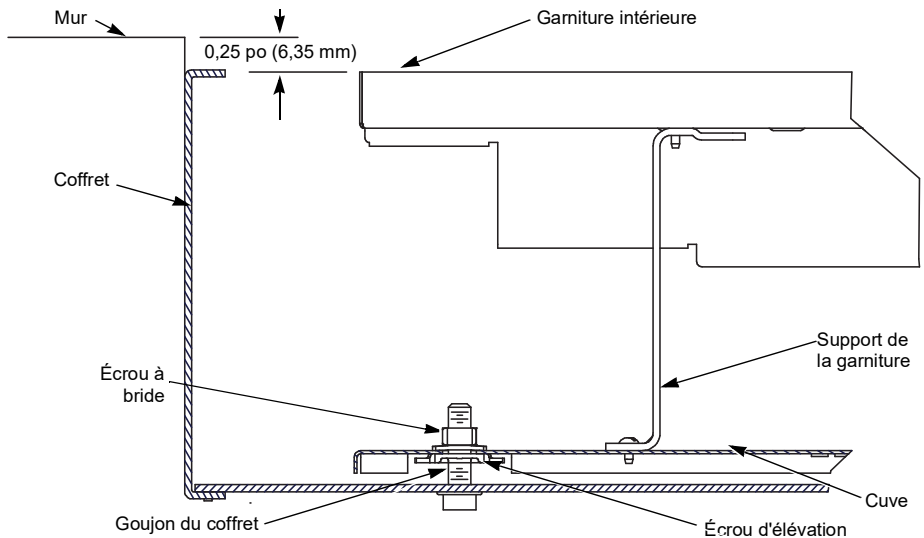
1. Monter le coffret comme indiqué dans la publication NEMA PB 1.1.
2. Installer un écrou d'élévation sur chaque goujon du coffret.
3. Enlever la garniture intérieure des supports de garniture.
4. Installer l'intérieur comme décrit ci-après :
  - a. Placer l'intérieur sur les goujons du coffret et le fixer à l'aide des écrous à bride (voir la figure 1). Un tournevis plat peut être inséré dans la fente d'un écrou d'élévation pour faciliter l'ajustement.
  - b. Ajuster chaque écrou d'élévation pour maintenir une distance maximale de 0,125 po (3,2 mm) entre la garniture intérieure et l'assemblage avant/de la porte.
  - c. Serrer les écrous à bride contre la cuve.
  - d. Remonter la garniture intérieure une fois le câblage effectué.
5. Si l'appareil est utilisé comme appareil d'entrée de service, une tresse de mise à la masse du neutre est nécessaire (voir Installation de la tresse de mise à la masse du neutre à la page 8).
6. Poser les étiquettes de l'appareil (fournies dans le sac de l'assortiment) comme indiqué aux directives, au dos de la feuille d'étiquettes de l'appareil.

#### Montage encastré (coffret encastré dans le mur)

1. Monter le coffret comme indiqué dans la publication NEMA PB 1.1-2007.
2. Installer un écrou d'élévation sur chaque goujon du coffret.
3. Enlever la garniture intérieure des supports de garniture.
4. Installer l'intérieur comme décrit ci-après :
  - a. Placer l'intérieur sur les goujons du coffret et le fixer à l'aide des écrous à brides (voir la figure 1 à la page 7). Un tournevis

- plat peut être inséré dans la fente d'un écrou d'élévation pour faciliter l'ajustement.
- b. Ajuster chaque écrou d'élévation pour positionner le rebord de la garniture intérieure à environ 0,25 po (6,35 mm) de la ligne de la paroi extérieure.
  - c. Serrer les écrous à bride contre la cuve.
  - d. Remonter la garniture intérieure une fois le câblage effectué.
5. Si l'appareil est utilisé comme appareil d'entrée de service, une fixation (mise à la masse) du neutre est nécessaire. Voir les directives dans la section Installation de la tresse de mise à la masse du neutre à la page 8.
  6. Poser les étiquettes de l'appareil (fournies dans le sac de l'assortiment) comme indiqué aux directives, au dos de la feuille d'étiquettes de l'appareil.

**Figure 1 : Montage de l'intérieur dans des coffrets de la marque Square D**



## Installation de la tresse de mise à la masse du neutre

La tresse de mise à la masse du neutre ne doit être utilisée que lorsque le panneau de distribution est **installé** comme appareil de service.

Pour fixer correctement le neutre au panneau de distribution, suivre les directives pour Installation normale de la tresse de mise à la masse du neutre ou pour Installation de la tresse de mise à la masse du neutre du transformateur de courant aux pages 9 et 11, respectivement.

Pour l'installation sur terrain de la trousse d'assemblage du neutre I-Line, veuillez consulter le manuel d'utilisation de Schneider Electric 80043-846-01, Directives pour l'installation des trousse d'assemblage du neutre.

### **DANGER**

#### **RISQUE D'ÉLECTROCUTION, D'EXPLOSION OU ÉCLAIR D'ARC ÉLECTRIQUE**

- Portez un équipement de protection personnelle (ÉPP) approprié et observez les méthodes de travail électrique sécuritaire. Voir NFPA 70E, CSA Z462 ou NOM-029-STPS.
- Coupez l'alimentation de l'appareil avant d'y travailler.
- Seul un personnel qualifié doit effectuer l'installation et l'entretien de cet appareil.
- Utilisez toujours un dispositif de détection de tension à valeur nominale appropriée pour s'assurer que l'alimentation est coupée.
- La tresse de mise à la masse principale ne doit être utilisée que lorsque le panneau de distribution est installé comme appareil de service.
- Ne mélangez pas les vis de montage avec les vis de la garniture intérieure.

**Si ces directives ne sont pas respectées, cela entraînera la mort ou des blessures graves.**

**REMARQUE :** Les pièces de la tresse de mise à la masse se trouvent dans le sac d'assortiment fourni avec l'intérieur pour les panneaux de distribution prêts à installer et sont uniquement incluses

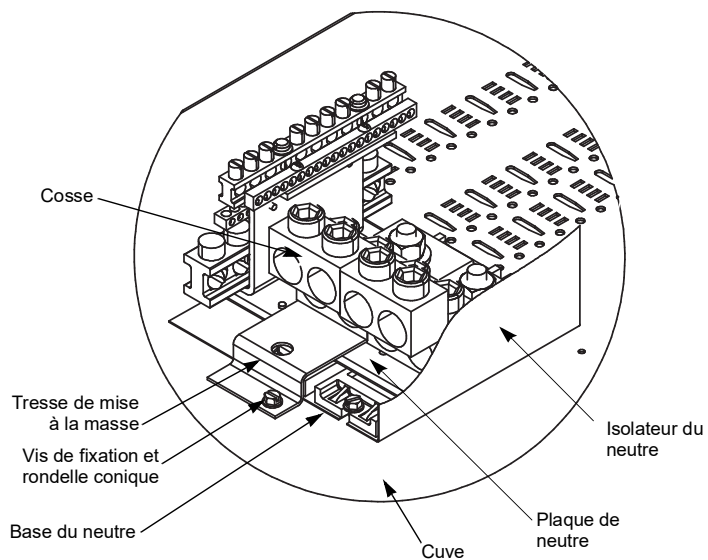
avec les panneaux de distribution assemblés à l'usine lorsqu'une entrée de service est choisie.

#### Installation normale de la tresse de mise à la masse du neutre

Pour installer une tresse de mise à la masse du neutre sur un panneau de distribution I-Line, se reporter à la figure 2 et suivre les directives ci-dessous.

1. Enlever la cosse. Mettre de côté la cosse et la quincaillerie de fixation.
2. Placer la tresse de mise à la masse entre la plaque de neutre et la cosse, comme indiqué.
3. Fixer la tresse de mise à la masse à la cuve à l'aide d'une vis de fixation et d'une rondelle conique. Serrer la vis de fixation au couple de 7,3 à 8,5 N•m (65 à 75 lb-po).
4. Réinstaller la cosse à l'aide de la quincaillerie mise de côté au point 1. Serrer au couple de serrage de 6,8 à 7,9 N•m (60 à 70 lb-po).

**Figure 2 :** Installation normale de la tresse de mise à la masse du neutre



## Installation de la tresse de mise à la masse du neutre du transformateur de courant

Pour installer une tresse de mise à la masse du neutre sur un panneau de distribution I-Line avec un transformateur de courant, se reporter aux directives d'installation de la tresse de mise à la masse du neutre du transformateur de courant, document Schneider Electric 80043-706-xx ou 80043-789-xx, fourni avec le neutre du transformateur de courant.

## Installation et démontage du disjoncteur I-Line

### DANGER

#### **RISQUE D'ÉLECTROCUTION, D'EXPLOSION OU ÉCLAIR D'ARC ÉLECTRIQUE**

- Portez un équipement de protection personnelle (ÉPP) approprié et observez les méthodes de travail électrique sécuritaire. Voir NFPA 70E, CSA Z462 ou NOM-029-STPS.
- Seul un personnel qualifié doit effectuer l'installation et l'entretien de cet appareil.
- Coupez toutes les alimentations à cet appareil avant d'y travailler.
- Utilisez toujours un dispositif de détection de tension à valeur nominale appropriée pour vous assurer que l'alimentation est coupée.
- Tous les espaces inutilisés doivent être remplis avec des plaques de remplissage.
- Remplacez tous les dispositifs, les portes et les couvercles avant de mettre l'appareil sous tension.

**Si ces directives ne sont pas respectées, cela entraînera la mort ou des blessures graves.**

## Installation du disjoncteur I-Line

Pour les directives suivantes, consulter la figure 3 à la page 13 :

1. Couper (O) toutes les alimentations du panneau de distribution.
2. Enlever la cloison de la garniture intérieure.
3. Mettre le disjoncteur hors tension. Positionner les mâchoires du disjoncteur contre l'empilement des barres-bus de sorte que la bosse de guidage sur le fond du disjoncteur soit orientée vers la rainure d'alignement de la base de l'isolateur des barres-bus et que les languettes du support de montage du disjoncteur s'engagent dans les fentes à clé de la cuve.

**REMARQUE** : Installer le disjoncteur principal à côté des cosses principales.

4. Placer un tournevis dans le trou rectangulaire du support de montage du disjoncteur et dans la fente à tournevis de la cuve de montage. Encliqueter fermement le disjoncteur dans l'empilement des barres-bus et aligner la vis de retenue avec le trou de montage de 7/32 po (5,6 mm) de la cuve.
5. Serrer fermement la vis de retenue pour empêcher le disjoncteur de bouger.

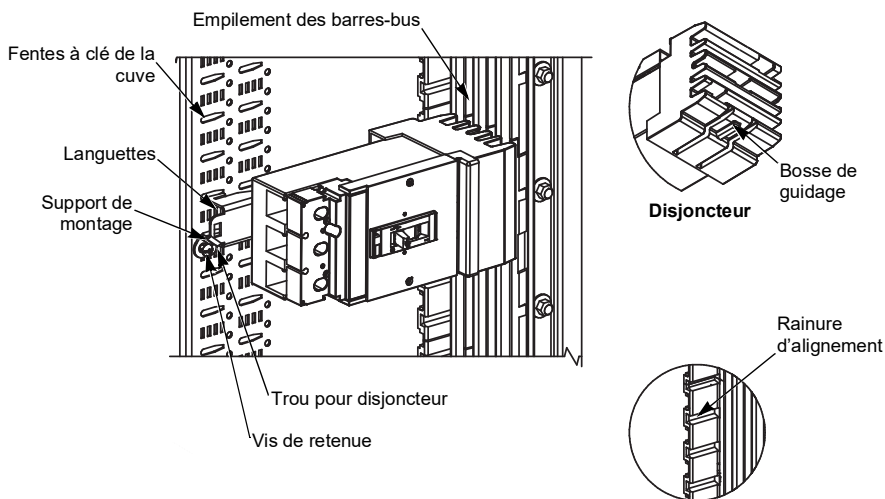
**REMARQUE** : S'assurer que la vis de retenue est serrée, mais sans la serrer au point de plier le support de montage.

6. **Pour disjoncteurs principaux uniquement** : fixer l'étiquette « Main Breaker » (disjoncteur principal) au couvercle du disjoncteur.
7. Réinstaller la cloison de la garniture intérieure.
8. Remettre le panneau sous tension.
9. Mettre le disjoncteur sous tension (ON).

**REMARQUE** : Les disjoncteurs I-Line sont fournis avec une pâte à joint installée à l'usine sur les connecteurs enfichables. La pâte à joint ne doit pas être enlevée car elle contribue à la performance globale de la connexion.

À chaque fois qu'un disjoncteur I-Line est retiré et réinstallé, il faut remettre de la pâte à joint. Un récipient de deux onces de pâte à joint spécialement formulée pour les connecteurs enfichables I-Line est disponible à l'achat (numéro de catalogue PJC-7201).



**Figure 3 : Installation et démontage du disjoncteur I-Line**

### Démontage du disjoncteur I-Line

Pour les directives suivantes, consulter la figure 3 :

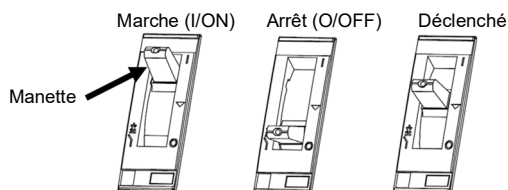
1. Couper (O) toutes les alimentations du panneau de distribution.
2. Mettre le disjoncteur hors tension.
3. Enlever la cloison de la garniture intérieure.
4. Desserrer les vis de retenue du support de montage du disjoncteur jusqu'à ce que les vis soient complètement retirées du trou de montage de 7/32 po (5,6 mm) de la cuve de montage.
5. Placer un tournevis dans le trou rectangulaire du support de montage du disjoncteur et dans la fente à tournevis de la cuve de montage. Éloigner le disjoncteur de l'empilement des barres-bus.
6. Soulever le disjoncteur pour l'éloigner des barres-bus.
7. Installez des plaques de remplissage, identifiées sur l'étiquette d'information à l'arrière de l'écran isolant ou dans le catalogue Digest Square D actuel, là où le disjoncteur a été retiré.
8. Fixez les prolongements de plaque de remplissage à la cloison de la garniture intérieure (panneaux HCPSU, HCP et HCRU uniquement), en utilisant le tableau 1 de la page 18 à titre d'exemple. Installez le prolongement sur le support de montage dans l'écran isolant, comme indiqué dans les directives d'utilisation 80030-695-02.

9. Réinstaller la cloison de la garniture intérieure.
10. Remettre le panneau sous tension.

### Directives de réarmement du disjoncteur

Si le disjoncteur est déclenché, la manette se trouvera en position moyenne entre marche (I/ON) et arrêt (O/OFF). Pour réarmer le disjoncteur, mettre la manette à la position d'arrêt (O/OFF), puis à la position de marche (I/ON).

**Figure 4 : Positions de la manette du disjoncteur**



### Préparation de la cloison de la garniture intérieure

## **⚠ DANGER**

### **RISQUE D'ÉLECTROCUTION, D'EXPLOSION OU ÉCLAIR D'ARC ÉLECTRIQUE**

- Avant de mettre le panneau de distribution sous tension, tous les espaces inutilisés doivent être remplis avec des plaques de remplissage.
- Remplacez tous les dispositifs, les portes et les couvercles avant de mettre l'appareil sous tension.

**Si ces directives ne sont pas respectées, cela entraînera la mort ou des blessures graves.**

## Assemblages d'empilements I-Line

### **AVIS**

#### **RISQUE D'ASSEMBLAGE INAPPROPRIÉ**

- Ne désassemblez pas l'assemblage d'empilement de barre-bus I-Line.
- Si un entretien est requis, contactez Schneider Electric.

**Si ces directives ne sont pas respectées, cela peut entraîner des dommages matériels et annulera la garantie.**

## Assemblage de neutre direct I-Line

Voir les directives pour l'installation des trousse d'assemblage du neutre des panneaux I-Line, 80043-846-01 pour les numéros de catalogue des neutres applicables et les directives pour l'installation.

## Panneaux de distribution équipés d'opérateurs à moteur pour les disjoncteurs PowerPact à châssis H et J

### DANGER

#### **RISQUE D'ÉLECTROCUTION, D'EXPLOSION OU ÉCLAIR D'ARC ÉLECTRIQUE**

- Portez un équipement de protection personnelle (ÉPP) approprié et observez les méthodes de travail électrique sécuritaire. Voir NFPA 70E, CSA Z462 ou NOM-029-STPS.
- L'installation et l'entretien de cet appareil ne doivent être effectués que par des électriciens qualifiés ayant reçu une formation appropriée.
- Coupez toutes les sources d'alimentation qui alimentent cet appareil et mettez hors tension les circuits primaires et secondaires avant de travailler sur ou à l'intérieur de cet appareil.
- Le verrouillage du fonctionnement manuel ou du couvercle du moteur ne déconnecte pas le circuit secondaire du moteur.
- Utilisez toujours un dispositif de détection de tension à valeur nominale appropriée pour vous assurer que l'appareil est hors tension.
- Observez toujours toutes les procédures d'interverrouillage et d'étiquetage selon la réglementation OSHA.
- Ne désactivez, retirez ni modifiez aucun interverrouillage mécanique ou électrique ni aucune fonction de sécurité.

**Si ces directives ne sont pas respectées, cela entraînera la mort ou des blessures graves.**

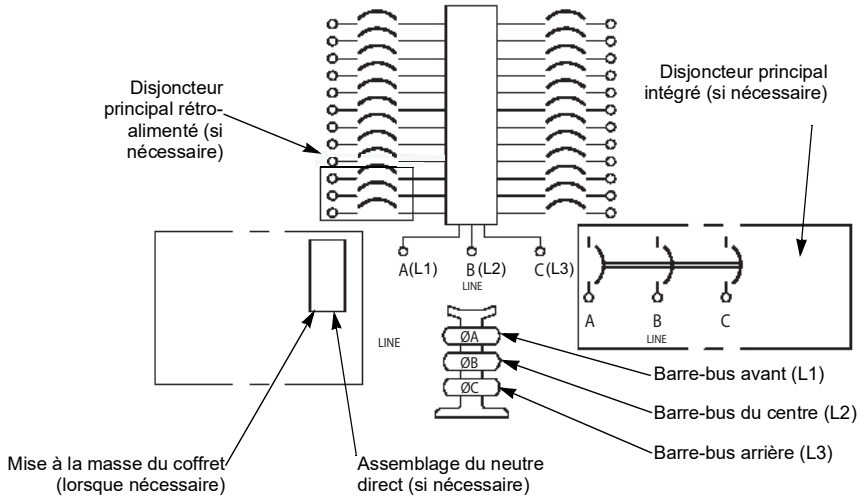
**REMARQUE : Panneaux de distribution pour utilisation dans des applications d'entrée de service américaine installées après le 1er janvier 2017.**

Se reporter aux directives d'utilisation 80043-839-01 pour des renseignements sur les kits de cloison d'entrée de service.

## Annexe 1 : Spécifications

### Câblage typique

Figure 5 : Schéma de câblage des cosses principales / disjoncteur principal



**REMARQUE :** Pour les systèmes 1Ø, la barre-bus de centre n'est pas utilisée.

**REMARQUE :** Les phases des raccordements de dérivation sont déterminées par le disjoncteur sélectionné. Voir le catalogue le plus récent ou le digest pour la sélection du disjoncteur.

**REMARQUE :** S'assurer que la tension nominale du disjoncteur est appropriée pour le système. Avec la sélection d'unités appropriées, n'importe lequel des systèmes de tension indiqués peut être utilisé.

## Valeurs nominales du panneau de distribution

Se reporter au NEC (É.-U.) section 110-22 édition 2017 et au CCE règle 14-014 édition 2015 pour des informations supplémentaires. L'étiquette pour un système qualifié pour utilisation en série se trouve dans le sac de l'assortiment. Les essais de courts-circuits sont effectués de 100 à 105 % de la tension maximale du panneau de distribution. Les intérieurs avec marque CE sont conformes aux normes IEC 61439-1 et IEC 61439-2.

**Tableau 1 : Valeurs nominales des disjoncteurs raccordés en série (RMS symétriques)**

Tension ca maximale du système <sup>2</sup>	Courant nominal de court-circuit max.	Disjoncteur principal intégré ou à distance, bipolaire ou tripolaire de la marque Square D <sup>1</sup>	Disjoncteur de dérivation de la marque Square D	
			Désignation de catalogue	Pôles
120	42,000	MG	FY	1
	65,000	QG, LH	FA, FD	
		QG, BG6, HG, JG, LG, MG, PG	BD6	
	100,000	FJ, QJ	FD	
		QJ, LC	FA	
		LJ	FH	
		QJ, BJ, HJ, JJ, LJ, MJ, PJ	BD6, BG6	
125,000	HL, JL, LL	BD6, BG6, BJ		
200,000	HR, JR	BD6, BG6, BJ		
208Y/120	65,000	QG, BG6, HG, JG, LG, MG, PG	BD6	2, 3
	100,000	QJ	FA, FD	
		QJ, BJ, HJ, JJ, LJ, MJ, PJ	BD6, BG6	
		QJ, PH, PJ, RJ	QD, QG	
240	35,000	MG	FA	1
	42,000	KA	FD	1, 2, 3
		LA, MA	HD, JD, QD	2, 3
	50,000	MG	FA	1
		MG	FA (25 A Max.)	
	65,000	HG, JG	FA, HD	2, 3
		JG	JD, QD	
		QG	FA, FD, QD	
		QG, BG6, HG, JG, LG, MG, PG	BD6	
		LH, MH, PA, PG, RG	HD, JD, QD	
FG, FH, MH, MX, PJ		FD		
FC, KC, KH, LC, LH		FD, FG	1, 2, 3	
LH	FA			

**Tableau 1 : Valeurs nominales des disjoncteurs raccordés en série (RMS symétriques) (suite)**

Tension ca maximale du système <sup>2</sup>	Courant nominal de court-circuit max.	Disjoncteur principal intégré ou à distance, bipolaire ou tripolaire de la marque Square D <sup>1</sup>	Disjoncteur de dérivation de la marque Square D		
			Désignation de catalogue	Pôles	
240	65,000	LH	LA	2, 3	
		MG	HD, JD, KA		
		DG	FH, HD, JD, KA, LA, MA		
		LG	HD, JD, KA, LA, MA		
		LG	LD	3	
	85,000	RL	FH, KH	2, 3	
	100,000	100,000	FC, KC, LC, LX	FD, FG, FJ	1
			PH, PJ, RJ	QD, QG	2, 3
			QJ	FD	2
			FJ	FD	2, 3
			LJ	HD, HG, JD, JG, FH, KA, LA, MA, MG	
			LJ	LD, LG	3
			FC, KC	FA, FH, FD, FG, FJ	2, 3
			LC, LX	FH, FD, FG, FJ	
			QJ, BJ, HJ, JJ, LJ, MJ, PJ	BD6, BG6	
			KC, LC, LX	KA	
			KC, LC	KH	
			LC	LA, LH, MG	1, 2, 3
			LC	FA	
		HJ, JJ	FA, FH, HD, HG		
		JJ	JD, JG	2, 3	
		LC, LX, MJ, PJ, RJ	HD, HG, JD, JG		
		MJ	LA, LH		
		DJ	FH, HD, HG, JD, JG, KA, LA, MA, MG		
RL		RG			
HL, JL	HD, HG, HJ, FA, FH				
125,000	125,000	JL	JD, JG, JJ	2, 3	
		HL, JL, LL	BD6, BG6, BJ		
		PC, PH, PL, RL	HD, HG, JD, JG		
		PC, PL, RL	HJ, JJ		
		FI, KI, LI, LXI	HD, HG, HJ		
		KI, LI, LXI	JD, JG, JJ		

FRANÇAIS

**Tableau 1 : Valeurs nominales des disjoncteurs raccordés en série (RMS symétriques) (suite)**

Tension ca maximale du système <sup>2</sup>	Courant nominal de court-circuit max.	Disjoncteur principal intégré ou à distance, bipolaire ou tripolaire de la marque Square D <sup>1</sup>	Disjoncteur de dérivation de la marque Square D	
			Désignation de catalogue	Pôles
240	200,000	FI, KI, LI, LXI	FD, FG, FJ	1
		FI, KI	FA, FH, FC, FD, FG, FJ	2, 3
		LI, LXI	FH, FD, FG, FJ	
		LI	FC	
		HR, JR, LR	BD6, BG6, BJ	
		KI, LI, LXI	KA, QD, QG, QJ	
		LI	KC	
		JR	QD	
277	18,000	LD	FY	1
	25,000	FH, KA	FD	
	35,000	FG, KH, LH	FD	
		DG, LG	FH, FY	
		FC, KC	FH	
		BG6, HG, JG, LG, MG, PG	BD6	
	65,000	FJ	FD	
		FC, KC	FA, FY, FD, FG	
		LC, LX (400 A Max.)	FH	
		LC, LX (600 A Max.)	FY, FD, FG	
		DJ	FH, FY	
		LL	FY	
		LJ	FH, FY	
		BJ, HJ, JJ, LJ, MJ, PJ	BD6, BG6	
	FI, KI	FH		
	100,000	DL, LL	FH, FJ	
HL, JL, LL		BD6, BG6, BJ		
200,000	FI, KI	FA, FY, FD, FG, FJ		
	LI, LXI, (400 A Max.)	FH		
	LI, LXI, (600 A Max.)	FY, FD, FG, FJ		
	HR, JR	BD6, BG6, BJ		



**Tableau 1 : Valeurs nominales des disjoncteurs raccordés en série (RMS symétriques) (suite)**

Tension ca maximale du système <sup>2</sup>	Courant nominal de court-circuit max.	Disjoncteur principal intégré ou à distance, bipolaire ou tripolaire de la marque Square D <sup>1</sup>	Disjoncteur de dérivation de la marque Square D	
			Désignation de catalogue	Pôles
480	22,000	MG	FA	2, 3
		MX, PA, PC, PX	FH	
	30,000	KH, LA, MA, PJ	FH	
		LA, MA, PA, PC, PX	KA	
		LA, MA, PA	HD, JD	
		MG	FA (25 A Max.), FH, KA	
		MX, PA	HD, JD	
	35,000	MH	HD, JD	
		HG, JG	FA, HD	
		JG	JD	
		LH, MG, PG, RG	HD, JD	
		BG6, HG, JG, LG, MG, PG	BD6	
		LH	HG, JG	
		DG	FH, HD, JD, KA, LA, MA	
		LG	LD	
	42,000	MJ	FH (25 A Max.)	
		RL	RG	
	50,000	MJ	KA, KH	
	65,000	FC, KC	FA, FH	
		HJ, JJ	FA, FH, HD, HG	
		BJ, HJ, JJ, LJ, MJ, PJ	BD6, BG6	
		JJ	JD, JG	
		LC, LI, LX, LXI	HD, HG, JD, JG	
		LC, LX, (400 A Max.)	FH	
		KC, LC, LX	KA	
		LC, LX	LA	
		DJ	FH, HD, HG, JD, JG, KA, LA, MA	
		LJ	LD, LG	
LJ	HD, HG, JD, JG, FH, KA, LA, MA			

**Tableau 1 : Valeurs nominales des disjoncteurs raccordés en série (RMS symétriques) (suite)**

Tension ca maximale du système <sup>2</sup>	Courant nominal de court-circuit max.	Disjoncteur principal intégré ou à distance, bipolaire ou tripolaire de la marque Square D <sup>1</sup>	Disjoncteur de dérivation de la marque Square D		
			Désignation de catalogue	Pôles	
480	100,000	HL, JL	FA, FH, HD, HG, HJ	2, 3	
		HL, JL, LL	BD6, BG6, BJ		
		JL	JD, JG, JJ		
		LI, LXI (600 A Max.)	KA		
		PC, PH, PL, RL	HJ, JJ		
		RL	RG		
		DL	FH, HD, HG, HJ, JD, JG, JJ, KA, LA, MA		
		LL	LD, LG, LJ	3	
	200,000	200,000	LL	HD, HG, HJ, JD, JG, JJ, FH, KA, LA, MA	2, 3
			JR	FA	
			FI, KI	FA, FH, FC, HD, HG, HJ	
			KI	JD, JG, JJ, KA	
			HR, JR	BD6, BG6, BJ	
			LI	FC, KA, KC, LA, HJ, HL, JJ, JL	
			LXI	KA, HJ, HL, JJ, JL	
HR	FA, HD, HG, HJ, HL				
JR	HD, HG, HJ, HL, JD, JG, JJ, JL				
LR	HJ, HL, JJ, JL, FH, LA, LH				
480Y/277	25,000	FH, KA	FD		
	35,000	FG, KH, LH	FD		
		BG6, HG, JG, LG, MG, PG	BD6		
	65,000	FJ	FD		
		BJ, HJ, JJ, LJ, MJ, PJ	BD6, BG6		
		FC, KC	FD, FG		
		LC, LX (600 A Max.)	FD, FG		
	100,000	HL, JL, LL	BD6, BG6, BJ		
	200,000	FI, KI	FD, FG, FJ		
		HR, JR	BD6, BG6, BJ		
LI, LXI (600 A MAX.)		FD, FG, FJ			

**Tableau 1 : Valeurs nominales des disjoncteurs raccordés en série (RMS symétriques) (suite)**

Tension ca maximale du système <sup>2</sup>	Courant nominal de court-circuit max.	Disjoncteur principal intégré ou à distance, bipolaire ou tripolaire de la marque Square D <sup>1</sup>	Disjoncteur de dérivation de la marque Square D		
			Désignation de catalogue	Pôles	
600	18,000	HG, JG	FA, HD	2, 3	
		JG	JD		
		MG, PG, RG	HD, JD		
		MG	FA		
		LG	LD	3	
	25,000	HJ, JJ	HJ, JJ	FA, HD, HG	2, 3
			JJ	JD	
			PJ, RJ	MG	
			LJ	LD, LG	3
		LJ	JD, JG, HD, HG, MA	2, 3	
	35,000	LC	FH, HD, HG, HJ, JD, JG, JJ, LA		
	50,000	HL, JL	FA, HD, HG, HJ		2, 3
		JL	JD, JG, JJ		
		PK	HJ, JJ, MJ		3
		LL	LD, LG, LJ		
	100,000	FI, KI	FI, KI	HD, HG, HJ	2, 3
			KI	JD, JG, JJ	
			KI, LI	FH	
			LI	LA	
			HR	FA, HD, HG, HJ, HL	
			JR	FA, HD, HG, HJ, HL, JD, JG, JJ, JL	
LR		HJ, HL, JJ, JL			
600Y/347	18,000	MG	FA (25 A Max.)		
	25,000	MJ	FA (25 A Max.)		
	50,000	HL, JL	FJ		
347	18,000	BG6, HG, JG, LG, MG, PG	BD6	1	
	25,000	BJ, HJ, JJ, LJ, MJ, PJ	BD6, BG6		
	50,000	HL, JL	BD6, BG6, BJ		
	100,000	JR	BD6 (60 A Max.), BG6, BJ		

**Tableau 1 : Valeurs nominales des disjoncteurs raccordés en série (RMS symétriques) (suite)**

Tension ca maximale du système <sup>2</sup>	Courant nominal de court-circuit max.	Disjoncteur principal intégré ou à distance, bipolaire ou tripolaire de la marque Square D <sup>1</sup>	Disjoncteur de dérivation de la marque Square D	
			Désignation de catalogue	Pôles
600Y/347	18,000	BG6, HG, JG, LG, MG, PG	BD6	3
	25,000	BJ, HJ, JJ, LJ, MJ, PJ	BD6, BG6	
	50,000	HL, JL, LL	BD6, BG6, BJ	
	100,000	HR, JR	BD6, BG6, BJ	

<sup>1</sup> LD, LG, LJ et LL sont seulement disponibles en configurations tripolaires.

<sup>2</sup> Pour les disjoncteurs indiqués d'une tension nominale inférieure à cette tension maximale, le courant nominal de court-circuit indiqué s'applique également, mais à la tension nominale du disjoncteur.

**Tableau 2 : Val. nom. des fusibles raccordés en série (RMS symétriques)**

Tension ca maximale du système <sup>1</sup>	Courant nominal de court-circuit max.	Fusible principal à distance		Désignation de catalogue des disjoncteurs de dérivation de la marque Square D (bi ou tripolaires) sauf indication contraire	
		A max.	Classe		
120/240 1Ø 208Y/120	100 000	1200 A	L, T (300 V)	QD, QG	
		800 A	T (600 V)		
		600 A	J, RK5		
240	65 000	1200 A	L, T (300 V)	QD	
		800 A	T (600 V)		
		600 A	J, RK5		
	100 000	800 A	1200 A	L, T (300 V)	QD, QG (2-Pole)
			800 A	T (600 V)	
		600 A	J, RK5	FA, FH, KA, KH, KC, LA, LH, MA, MH, MX, PG	
J, T (600 V)					
RK5	FH, KA, KH, LA, LH, MA, MH, MX, PG, HD, HG, HJ, HL, JD, JG, JJ, JL				
J	HD, HG, HJ, HL, JD, JG, JJ, JL				

Tableau 2 : Val. nom. des fusibles raccordés en série (RMS symétriques) (suite)

Tension ca maximale du système 1	Courant nominal de court-circuit max.	Fusible principal à distance		Désignation de catalogue des disjoncteurs de dérivation de la marque Square D (bi ou tripolaires) sauf indication contraire		
		A max.	Classe			
240	100 000	800 A	T (600 V)	FH, KA, KH, LA, LH, MA, MH, MX, PG		
			T (300 V)	PG		
			L	FH, KA, KH, LA, LH, MA, MH, MX, PG		
		1200 A	L	FH, KH, LA, LH, MA, MH, MX, PG		
			T (600 V)	HD, HG, HJ, HL, JD, JG, JJ, JL		
			L	NA, NC, NX, PJ, PL		
	4000 A	L	HD, HG, HJ, HL, JD, JG, JJ, JL			
	200 000	600 A	J, T (600 V)	FA (tripolaire uniquement) FH, FC, KH, KC, LA, LH, LC, MA, MH, MX, NA, NC, NX, PG, PJ, PL		
			RK5	FH, FC, HD, HG, HJ, HL, JD, JG, JJ, JL, KH, KC, LA, LH, LC, MA, MH, MX, NC, NX, PG, PJ, PL		
			J	HD, HG, HJ, HL, JD, JG, JJ, JL		
		800 A	T (600 V)	FH, FC, KA, KH, KC, LA, LH, LC, MA, MH, MX, NA, NC, NX, PG, PJ, PL		
			T (300 V)	PG, PJ, PL		
			L	FH, FC, KH, KC, LA, LH, LC, MA, MH, MX, NA, NC, NX, PG, PJ, PL		
		1200 A	L	FC, KH, KC, LC, MA, MH, MX, NA, NC, NX, PG, PJ, PL		
			T (600 V)	HD, HG, HJ, HL, JD, JG, JJ, JL		
			L	NA, NC, NX, PJ, PL		
		4000 A	L	HD, HG, HJ, HL, JD, JG, JJ, JL		
		480	100 000	400 A	J, T(600 V)	HD, HG, HJ, HL, JD, JG, JJ, JL
				600 A	J, RK5	HJ, HL, JJ, JL
	600 A			J, T (600 V)	FC, KA, KH, KC, LA, LH, LC, MA, MH, MX, NA, PG, PJ	
				RK5	FC, KA, KH, KC, LA, LH, LC, MA, MH, MX, NA, PG, PJ	
	800 A			L, T(600V)	FC, KA, KH, KC, LA, LH, LC, MA, MH, MX, NA, PG, PJ	
	1200 A			L	FC, KH, KC, LA, LH, LC, MA, MH, MX, NA, PG, PJ	
				T (600 V)	HJ, HL, JJ, JL	
1600 A	L			KC, LC, MA, MH, MX, NA, PG, PJ		
2000 A	L			KC, LC, MH, MG, MJ, MX, NA, PG, PJ		
4000 A	L			HJ, HL, JJ, JL		

**Tableau 2 : Val. nom. des fusibles raccordés en série (RMS symétriques) (suite)**

Tension ca maximale du système <sup>1</sup>	Courant nominal de court-circuit max.	Fusible principal à distance		Désignation de catalogue des disjoncteurs de dérivation de la marque Square D (bi ou tripolaires) sauf indication contraire
		A max.	Classe	
480	200 000	200 A	RK5	HJ, HL
		400 A	J	FA, FH, FC, HJ, HL, JJ, JL, KA, KH, KC, LA, LH, LC, MA, MH, MX, NA, NC, NX, PG, PJ, PL
			T (600 V)	FA, FH, FC, HJ, HL, JJ, JL, KA, KH, KC, LA, LH, MA, MH, MX, NA, NC, NX
		600 A	J	FC, KA, KH, KC, LA, LH, LC, MA, MH, MX, MG, MJ, NA, NC, NX, PG, PJ, PL
			T(600 V)	KA, KH, KC, LA, LH, MA, MH, MX, NA, NC, NX
			RK5	KC, LA, LH, LC, MA, MH, MX, MG, MJ, NC, NX, PG, PJ
		800 A	T(300 V)	PG, PJ, PL
			T(600 V)	KA, KH, KC, LA, LH, MA, MH, MX, MG, MJ, NA, NC, NX, PG, PJ, PL
			L	KC, LA, LH, LC, MA, MH, MX, NA, NC, NX, PG, PJ, PL
		1200 A	L	KC, LC, MA, MH, MX, MG, MJ, NA, NC, NX, PG, PJ, PL
1600/2000 A	L	NA, NC, NX		
600	100 000	30 A	CC	HG, JG (Molded Case Switches)
		200 A	J	HD, HG, HJ, HL, JD, JG, JJ, JL
		400 A	J, T (600 V)	HJ, HL, JJ, JL

<sup>1</sup> Pour les disjoncteurs indiqués d'une tension nominale inférieure à cette tension maximale. Le courant nominal de court-circuit indiqué s'applique également, mais à la tension nominale du disjoncteur.

**Tableau 3 : Sélectivité de disjoncteur critique pour panneau NF**

SCCR maximum (RMS symétriques)	Disjoncteurs principaux intégrés ou à distance	Disjoncteurs de dérivation			
		Type <sup>1</sup>	1 pôle	2 pôles	3 pôles
Valeur nominale en série et sélectif jusqu'à 18 kA à 240 Vca	J-W, 250 A	ED, EG, EJ	15-70	15-125	15-125
Valeur nominale en série et sélectif jusqu'à 7 kA à 480Y/277 Vca	J-W, 250 A	ED, EG, EJ	15-70	70-125	70-125
Valeur nominale en série et sélectif jusqu'à 10 kA à 480Y/277 Vca	J-W, 250 A	ED, EG, EJ	15-60	15-60	15-60

**Tableau 3 : Sélectivité de disjoncteur critique pour panneau NF**

SCCR maximum (RMS symétriques)	Disjoncteurs principaux intégrés ou à distance	Disjoncteurs de dérivation			
		Type <sup>1</sup>	1 pôle	2 pôles	3 pôles
Valeur nominale en série et sélectif jusqu'à 30 kA à 480Y/277 Vca ou à 240 Vca	L-W, 250 A L-W, 400 A L-W, 600 A	ED, EG, EJ	15-70	15-125	15-125

<sup>1</sup> Y compris les disjoncteurs EPD**Tableau 4 : Sélectivité de disjoncteur critique pour panneau NQ**

SCCR maximum (RMS symétriques)	Disjoncteurs principaux intégrés ou à distance	Disjoncteurs de dérivation			
		Type <sup>1</sup>	1 pôle	2 pôles	3 pôles
Pleine valeur nominale et sélectif jusqu'à 10 kA à 208Y/120 Vca ou à 240/120 Vca	J-W, 250 A L-W, 250 A	QO(B)	10-70	10-125	10-125
		QO(B)-H			
		QO(B)-VH			
		QH			
Valeur nominale en série et sélectif jusqu'à 12 kA à 208Y/120 Vca ou à 240/120 Vca	J-W, 250 A	QO(B)	10-70	10-125	10-60
		QO(B)-H			
		QO(B)-VH			
		QH			
Valeur nominale en série et sélectif jusqu'à 15 kA à 208Y/120 Vca ou à 240/120 Vca	J-W, 250 A	QO(B)	10-60	10-60	10-30
		QO(B)-H			
		QO(B)-VH			
		QH			
Valeur nominale en série et sélectif jusqu'à 18 kA à 208Y/120 Vca ou à 240/120 Vca	J-W, 250 A	QO(B)	10-30	10-30	—
		QO(B)-H			
		QO(B)-VH			
		QH			
	L-W, 250 A	QO(B)	10-60	10-60	10-60
		QO(B)-H			
		QO(B)-VH			
		QH			
Valeur nominale en série et sélectif jusqu'à 30 kA à 208Y/120 Vca ou à 240/120 Vca	L-W, 400 A L-W, 600 A	QO(B)	15-70	15-150	15-150
		QO(B)-H			
		QO(B)-VH			
		QH			

<sup>1</sup> Y compris les disjoncteurs AFI, CAFI, EPD et GFI

## Courant nominal de court-circuit supplémentaire

Les cosses enfichables I-Line de la marque Square D installées dans ce panneau de distribution et protégées par les disjoncteurs de la marque Square D indiqués conviennent à une utilisation dans laquelle le courant de court-circuit disponible n'est pas supérieur à celui indiqué dans le tableau suivant. Le courant de court-circuit nominal ne peut pas dépasser la valeur nominale marquée sur le disjoncteur de protection. Les disjoncteurs de protection peuvent servir de disjoncteur principal ou, si branchés sur le même empilement de barres-bus I-Line, peuvent être en aval des cosses enfichables.

**Tableau 5 : Courants de court-circuit nominaux pour les cosses enfichables avec des disjoncteurs de protection<sup>1</sup>**

Numéro de catalogue et valeur nominale de courant	Disjoncteurs de protection			Courant de court-circuit max. disponible	
	Préfixe du n° de catalogue	Nombre de pôles	Ampères max.	kA RMS sym.	V ca
SL100, 100 A SL225, 225 A SL250, 250 A SL400, 400 A SL800, 800 A SL800M5, 800 A SL1200, 1200 A SL1200P5, 1200 A SL1200P6, 1200 A SL1200P7, 1200 A S33930, 1200 A S33931, 1200 A	FA	2, 3	100	25	240
				18	480
				14	600
	FH	2, 3	100	65	240
				25	480
				18	600
	FD	2, 3	100	25	240
				18	480Y
	FG	2, 3	100	65	240
				35	480Y
	FJ	2, 3	100	100	240
				65	480Y
SL225, 225 A SL400, 400 A SL800, 800 A SL800M5, 800 A SL1200, 1200 A SL1200P5, 1200 A SL1200P6, 1200 A SL1200P7, 1200 A S33930, 1200 A S33931, 1200 A	KA	2, 3	225	42	240
				25	480
				22	600
	KH	2, 3	225	65	240
				35	480
				25	600
	KC	2, 3	225	100	240
				65	480
	KI	2, 3	225	200	240
				200	480
				100	600
	SL400, 400 A SL800, 800 A SL800M5, 800 A SL1200, 1200 A SL1200P5, 1200 A SL1200P6, 1200 A SL1200P7, 1200 A SL33930, 1200 A SL33931, 1200 A	DG	3	400	65
35					480
DJ		3	400	100	240
				65	480
DL		3	400	125	240
				100	480



**Tableau 5 : Courants de court-circuit nominaux pour les cosses enfichables avec des disjoncteurs de protection<sup>1</sup> (suite)**

Numéro de catalogue et valeur nominale de courant	Disjoncteurs de protection			Courant de court-circuit max. disponible	
	Préfixe du n° de catalogue	Nombre de pôles	Ampères max.	kA RMS sym.	V ca
SL800, 800 A SL800M5, 800 A SL1200, 1200 A SL1200P5, 1200 A SL1200P6, 1200 A SL1200P7, 1200 A S33930, 1200 A S33931, 1200 A	DG	3	600	65	240
				35	480
	DJ	3	600	100	240
				65	480
	DL	3	600	125	240
				100	480
SL250, 250 A SL400, 400 A SL800, 800 A SL800M5, 800 A SL1200, 1200 A SL1200P5, 1200 A SL1200P6, 1200 A SL1200P7, 1200 A S33930, 1200 A S33931, 1200 A	HD/JD	2, 3	150/250	25	240
				18	480
				14	600
	HG/JG	2, 3	150/250	65	240
				35	480
				18	600
	HJ/JJ	2, 3	150/250	100	240
				65	480
				25	600
	HL/JL	2, 3	150/250	125	240
				100	480
				50	600
	HR/JR	2, 3	150/250	200	240
				200	480
				100	600
	KI	2, 3	250	200	240
				200	480
				100	600
SL400, 400 A SL800, 800 A SL800M5, 800 A SL1200, 1200 A SL1200P5, 1200 A SL1200P6, 1200 A SL1200P7, 1200 A S33930, 1200 A S33931, 1200 A	LA	2, 3	400	42	240
				30	480
				22	600
	LH	2, 3	400	65	240
				35	480
				25	600
	LD	3	400	25	240
				18	480
				14	600
	LG	3	400	65	240
				35	480
				18	600
	LJ	3	400	100	240
				65	480
				25	600
LL	3	400	125	240	
			100	480	
			50	600	
LR	3	400	200	240	
			200	480	
			100	600	

**Tableau 5 : Courants de court-circuit nominaux pour les cosses enfichables avec des disjoncteurs de protection<sup>1</sup> (suite)**

Numéro de catalogue et valeur nominale de courant	Disjoncteurs de protection			Courant de court-circuit max. disponible	
	Préfixe du n° de catalogue	Nombre de pôles	Ampères max.	kA RMS sym.	V ca
SL400, 400 A SL800, 800 A SL1200, 1200 A S33930, 1200 A S33931, 1200 A	LC/LX	2, 3	400	100	240
				65	480
				35	600
	LI/LXI	2, 3	400	200	240
				200	480
				100	600
SL800, 800 A SL800M5, 800 A SL1200, 1200 A SL1200P5, 1200 A SL1200P6, 1200 A SL1200P7, 1200 A S33930, 1200 A S33931, 1200 A	LD	3	600	25	240
				18	480
				14	600
	LG	3	600	65	240
				35	480
				18	600
	LJ	3	600	100	240
				65	480
				25	600
	LL	3	600	125	240
				100	480
				50	600
	LR	3	600	200	240
				200	480
				100	600
SL800, 800 A SL1200, 1200 A S33930, 1200 A S33931, 1200 A	LC/LX	2, 3	600	100	240
				65	480
				35	600
	LI/LXI	2, 3	600	200	240
				200	480
				100	600
	MA	2, 3	800	42	240
				30	480
				22	600
MH/MX	2, 3	800	65	240	
			65	480	
			25	600	
SL800M5, 800 A SL1200P5, 1200 A SL1200P6, 1200 A SL1200P7, 1200 A	MG, PG	2, 3	800	65	240
				35	480
				18	600
	MJ, PJ	2, 3	800	100	240
				65	480
				25	600
	PK	2, 3	800	65	240
				50	480
				50	600
	PL	2, 3	800	125	240
				100	480
				25	600
	MA/MH/MX	2, 3	800	65	240
				65	480
				25	600

**Tableau 5 : Courants de court-circuit nominaux pour les cosses enfichables avec des disjoncteurs de protection<sup>1</sup> (suite)**

Numéro de catalogue et valeur nominale de courant	Disjoncteurs de protection			Courant de court-circuit max. disponible		
	Préfixe du n° de catalogue	Nombre de pôles	Ampères max.	kA RMS sym.	V ca	
SL1200, 1200 A S33930, 1200 A	NA	2, 3	1200	100	240	
				50	480	
				25	600	
	NC/NX	2, 3	1200	125	240	
				100	480	
				65	600	
SL1200P5, 1200A SL1200P6, 1200A SL1200P7, 1200A	PG/RG	2, 3	1200	65	240	
				35	480	
				18	600	
	PJ/RJ	2, 3	1200	100	240	
				65	480	
				25	600	
	PK	2, 3	1200	65	240	
				50	480	
				50	600	
	RK	2, 3	1200	65	240	
				65	480	
				65	600	
	PL	2, 3	1200	125	240	
				100	480	
				25	600	
	RL	2, 3	1200	125	240	
				100	480	
				50	600	
	S33930, 1200 A S33931, 1200 A	MG	2, 3	800	65	240
					35	480
		PG	2, 3	1200	18	600
100					240	
MJ		2, 3	800	65	480	
				25	600	
PJ		2, 3	1200	65	240	
				50	480	
PK		2, 3	1200	50	600	
				125	240	
PL	2, 3	1200	100	480		
			65	240		
S33930, 1200 A	RG	2, 3	1200	35	480	
				18	600	
				100	240	
	RJ	2, 3	1200	65	480	
				25	600	
				125	240	
	RL	2, 3	1200	100	480	
				50	600	
				65	240/480/600	
RK	2, 3	1200	65	240/480/600		

<sup>1</sup> Les kits SL, S33930, S33931, SL1200P5, SL1200P6, SL1200P7 ont une intensité nominale de 1200 A et peuvent être utilisés avec une charge de 1200 A lorsqu'ils sont installés dans des panneaux de distribution HCRU uniquement sur le côté large.

## Marquage CE

Les intérieurs avec la marque CE sont conformes aux normes IEC 61439-1 et IEC 61439-2.

Les intérieurs à cosse principale avec la marque CE ont été vérifiés pour supporter 42 000 A RMS symétriques pendant 30 cycles.

Seuls les disjoncteurs classés IEC peuvent être utilisés avec les intérieurs marqués CE et la classification de court-circuit de l'intérieur est limitée à la valeur nominale la plus basse du disjoncteur de dérivation classés IEC sauf s'il est classé pour utilisation en série avec un disjoncteur principal classé IEC selon le tableau 1. (Voir le Digest pour les détails.)

## Annexe 2 : Kits d'accessoires

Un assortiment d'accessoires pouvant être installés sur place est disponible pour les panneaux de distribution I-Line :

- Kit de barre de m.à.l.t. de l'appareil, à la page 33
- Kits d'interverrouillage mécanique, à la page 33
- Kits de cosses principales, à la page 34
  - Kit de cosses à compression Versa-Crimp et Versatile — Aluminium, à la page 34
  - Kit de cosses à compression Versa-Crimp et Versatile — Cuivre, à la page 34
- Kits de cosses du disjoncteur, on page 35
  - Kits de cosses à compression Versa-Crimp et Versatile, à la page 35

## Kit de barre de m.à.l.t. de l'appareil

Les kits de barre de m.à.l.t. de l'appareil, convenant à du fil de cuivre ou d'aluminium, répondent aux besoins de m.à.l.t. des panneaux de distribution I-Line. Sélectionner le kit requis en fonction du numéro de catalogue de l'intérieur. Les kits peuvent être installés sur place.

**Tableau 6 : Spécifications des kits de barre de m.à.l.t. de l'appareil**

Panneaux de distribution	Utiliser le numéro de catalogue du kit de barre de m.à.l.t.	
	Aluminium <sup>1</sup>	Cuivre <sup>2</sup>
HCN	PK27GTA	PK27GTACU
HCM, HCJ, HCRU et HCP	PK32DGTA	PK32DGTACU

<sup>1</sup> Barres en aluminium convenant à des conducteurs en cuivre ou aluminium de 60 °C ou 75 °C.

<sup>2</sup> Barres en cuivre convenant à des conducteurs en cuivre de 60 °C ou 75 °C.

**REMARQUE** : Les emplacements de montage d'une barre de m.à.l.t. sont identifiés par le symbole de terre



estampé sur la paroi arrière du coffret.

## Kits d'interverrouillage mécanique

Les kits peuvent être installés sur place.

**Tableau 7 : Spécifications de l'interverrouillage mécanique**

N° de catalogue	Combinaisons de disjoncteurs		Type de panneau de distribution
	Secteur	Auxiliaire	
HFk3DTI	FA	FA	HCN, HCM, HCJ, HCRU et HCP
HFM3DTI	LA	FA	HCRU
HLM3DTI	LA	LA	HCP, HCRU
HPFK3DTI	MG/MJ	FA/KA	HCP, HCPSU, HCRU
HPHJ3DTI	MG/MJ	H/J	HCP, HCPSU, HCRU
HPL3DTI	MG/MJ	LA	HCP, HCPSU, HCRU
HPP3DTI	MG/MJ	MG/MJ	HCP, HCPSU, HCRU

## Kits de cosses principales

Les kits Versa-Crimp<sup>®</sup> et Versatile<sup>MC</sup> peuvent être installés sur place.

**Tableau 8 : Kit de cosses à compression Versa-Crimp et Versatile — Aluminium**

Intensité du panneau de distribution	Calibre des fils	N° de catalogue du kit	Outil Versa-Crimp <sup>®</sup>	Kit adaptateur de cosse à sertissage
225 A				—
400 A	4–300 kcmil AL/CU 21,1–151 mm <sup>2</sup>	VCEL030516H1	VC-6 Series	HCN400VCA HCM400VCA HCW400VCA
	500–750 kcmil AL 253–380 mm <sup>2</sup>	VCEL07512H1	VC-6FT, VC-8	—
600 A	2/0–500 kcmil AL/CU 67,4–253 mm <sup>2</sup>	VCEL05038H1	VC-6 FT	HCN600VCA HCM600VCA HCW600VCA
800 A		VCEL05012H1		HCM800VCA HCW800VCA
1200 A	500–750 kcmil AL 253–380 mm <sup>2</sup> 500 kcmil CU 253 mm <sup>2</sup>	VCEL07512H1 <sup>1</sup>	VC-6FT, VC-8	HCW1200VCA

<sup>1</sup> Lorsque cette cosse est installée, l'extension de coffret HC4212DEX (F [encastéré] ou S [surface]) doit être ajoutée au coffret (à l'extrémité de câbles d'arrivée).

**Tableau 9 : Kit de cosses à compression Versa-Crimp et Versatile — Cuivre**

Intensité du panneau de distribution	Calibre des fils	N° de catalogue du kit	Outil Versa-Crimp <sup>®</sup>	Kit adaptateur de cosse à sertissage
225 A				—
400 A	2/0–300 kcmil CU 67,4–151 mm <sup>2</sup>	VCELC03038H1	VC-6-3 VC7 VC6-FT VC7-FT	HCN400VCA HCM400VCA HCW400VCA
	400–750 kcmil CU 203–380 mm <sup>2</sup>	VCELC07512H1	VC-6FT VC7-FT VC8	—
600 A	250–500 kcmil CU 127–253 mm <sup>2</sup>	VCELC05012H1	VC6-3 VC7 VC6-FT VC7-FT	HCN600VCA HCM600VCA HCW600VCA
800 A				HCM800VCA HCW800VCA
1200 A	400–750 kcmil CU 203–380 mm <sup>2</sup>	VCELC07512H1	VC-6FT VC7-FT VC8	HCW1200VCA

**Kits de cosses du disjoncteur**

Les kits Versa-Crimp® et Versatile<sup>MC</sup> peuvent être installés sur place.

**Tableau 10 : Kit de cosses à compression Versa-Crimp et Versatile<sup>1</sup>**

Aluminium	Calibre des fils <sup>2</sup>	Outil Versa-Crimp	Cuivre	Calibre des fils <sup>2</sup>	Outil Versa-Crimp
VC100FA VC100FD	8–1/0 8,36–53,5 mm <sup>2</sup>	VC-6	CVC100FA CVC100FD	6–1/0 CU 13,3–53,5 mm <sup>2</sup>	Série VC-6
VC250KA3	4–300 kcmil 21,1–151 mm <sup>2</sup>		CVC250KA3	2/0–300 kcmil CU 67,4–151 mm <sup>2</sup>	
VC250KA35	250–350 kcmil 127–177 mm <sup>2</sup>		CVC400LA3	4–300 kcmil CU 21,1–151 mm <sup>2</sup>	
VC400LA35	250–350 kcmil 127–177 mm <sup>2</sup>		CVC400LA5 CVC600MA5	250–500 kcmil CU 127–253 mm <sup>2</sup>	
VC400LA3	4–300 kcmil 21,1–151 mm <sup>2</sup>		CVC1200NE5	2/0–500 kcmil 67,4–253 mm <sup>2</sup>	
VC400LA5	2/0–500 kcmil 67,4–253 mm <sup>2</sup>		VC-6 FT VC-8	CVC1200NE7	
VC400LA7	500–750 kcmil AL 253–380 mm <sup>2</sup> 500 kcmil CU 253 mm <sup>2</sup>				
VC400LA7	2/0–500 kcmil 67,4–253 mm <sup>2</sup>	Série VC-6			
VC800MA7	500–750 kcmil AL 253–380 mm <sup>2</sup> 500 kcmil CU 253 mm <sup>2</sup>	VC-6 FT VC-8			
VC1200NE5	2/0–500 kcmil 67,4–253 mm <sup>2</sup>	Série VC-6			
VC1200NE7	500–750 kcmil AL 253–380 mm <sup>2</sup> 500 kcmil CU 253 mm <sup>2</sup>	VC-6 FT VC-8			
LV426989 (Châssis B)	# 8–1/0 AWG	V-6, VC-6 FT	LV426987 (Châssis B)	# 6–1/0 AWG	V-6, VC-6 FT
YA060HD	# 6–#2 AWG	3	CYA060HD	# 6–1/0 AWG CU	3
YA150HD	# 1–4/0 AWG		CYA150JD	# 4–2/0 AWG CU	
YA150JD	# 1–3/0 AWG		CYA150HD	# 6–1/0 AWG CU	
YA250J35	3/0–350 kcmil		CYA250J3	1/0–350 kcmil CU	

<sup>1</sup> S'assurer toujours que les cosses à compression sont installées dans des panneaux de distribution avec l'espace de courbure adéquat des fils conforme à l'article 312.6 édition 2017 du NEC (É.-U.).

<sup>2</sup> Sauf indication contraire, le calibre des fils concerne les deux types de conducteurs, en aluminium et en cuivre.

<sup>3</sup> Utiliser les outils de sertissage conformément aux directives fournies dans chaque kit de cosse.

**Tableau 11 : Kits de cosses de compression pour disjoncteurs à châssis L, MG, MJ, P et R <sup>1</sup>**

Aluminium	Calibre des fils <sup>2</sup>	Outil Versa-Crimp	Cuivre	Calibre des fils <sup>2</sup>	Outil Versa-Crimp
YA250P3	2/0–300 kcmil 67,4–151 mm <sup>2</sup>	4, 5	CYA400P5	4/0–500 kcmil CU 107–253 mm <sup>2</sup>	4, 5
YA300P5	4/0–500 kcmil 107–253 mm <sup>2</sup>		CYA600P5	4/0–500 kcmil CU 107–253 mm <sup>2</sup>	
YA400P3	2/0–300 kcmil 67,4–151 mm <sup>2</sup>		CYA800P7	500–750 kcmil CU 253–380 mm <sup>2</sup>	
YA400P7	500–750 kcmil 253–380 mm <sup>2</sup>		CYA1200R5	4/0–500 kcmil CU 107–253 mm <sup>2</sup>	
YA600P5	4/0–500 kcmil 107–253 mm <sup>2</sup>		CYA1200R7	500–750 kcmil CU 253–380 mm <sup>2</sup>	
YA800P7 <sup>3</sup>	500–750 kcmil 253–380 mm <sup>2</sup>				
YA1200R3	2/0–300 kcmil 67,4–151 mm <sup>2</sup>				
YA1200R5	4/0–500 kcmil 107–253 mm <sup>2</sup>				
YA1200R7	500–750 kcmil 253–380 mm <sup>2</sup>				
YA400L31K3 <sup>7</sup>	#4–300 kcmil		4	CYA400L31K3 <sup>7</sup>	
YA600L32K3 <sup>7</sup>	21–151 mm <sup>2</sup>	CYA600L32K3 <sup>7</sup>		67,4–151 mm <sup>2</sup>	
YA400L51K3 <sup>7</sup>	2/0–500 kcmil	CYA400L51K3 <sup>7</sup>		250–500 kcmil	
YA600L52K3 <sup>7</sup>	67,4–253 mm <sup>2</sup>	CYA600L52K3 <sup>7</sup>		127–253 mm <sup>2</sup>	
YA400L71K3 <sup>6, 7</sup>	500–750 kcmil 253–380 mm <sup>2</sup>				

<sup>1</sup> S'assurer toujours que les cosses à compression sont installées dans des panneaux de distribution avec l'espace de courbure adéquat des fils conforme à l'article 312.6 édition 2017 du NEC (É.-U.).

<sup>2</sup> Sauf indication contraire, le calibre des fils concerne les deux types de conducteurs, en aluminium et en cuivre.

<sup>3</sup> Quand cette cosse est installée sur un disjoncteur principal monté verticalement, dans un intérieur HCP, ajouter une extension HC4212DEX (F ou S) au coffret.

<sup>4</sup> Utiliser les outils de sertissage conformément aux directives fournies dans chaque kit de cosse.

<sup>5</sup> S'assurer toujours que les cosses à compression sont installées dans des panneaux de distribution avec l'espace de courbure adéquat des fils conforme à l'article 312.6 édition 2017 du NEC (É.-U.). Les panneaux de distribution I-Line avec un coffret type 1 nécessitent un coffret d'extension d'une largeur de 127 mm (5,0 po) lorsque les disjoncteurs de dérivation utilisent ces cosses (ces cosses à compression ne peuvent pas être utilisées dans des coffrets étanches). Contacter votre représentant des ventes local Schneider Electric pour de l'assistance.

<sup>6</sup> Cette cosse n'est autorisée que dans des panneaux de distribution HCP/HCPUSU avec des coffrets type 1 ayant une extension latérale d'une largeur de 127 mm (5,0 po).

<sup>7</sup> Pour disjoncteur à châssis L uniquement.

## Trousses d'extension

Consulter le Digest Square D actuel et les directives d'utilisation 80043-35-04 pour obtenir davantage d'informations sur les trousses d'extension pour boîtes.





**Panneaux de distribution d'alimentation à disjoncteurs I-Line<sup>MC</sup>**  
**Directives d'utilisation**

**Schneider Electric Canada**  
5985 McLaughlin Road  
Mississauga, ON L5R 1B8 Canada  
1-800-565-6699  
[www.schneider-electric.ca](http://www.schneider-electric.ca)

Seul un personnel qualifié doit effectuer l'installation, l'utilisation, l'entretien et la maintenance du matériel électrique. Schneider Electric n'assume aucune responsabilité des conséquences éventuelles découlant de l'utilisation de cette documentation.

© 1996–2021 Schneider Electric Tous droits réservés  
Schneider Electric et Square D sont marques commerciales de Schneider Electric Industries SAS ou de ses compagnies affiliées. Toutes les autres marques commerciales utilisées dans ce document sont la propriété de leurs propriétaires respectifs.

80043-309-20 Rev. 08, 01/2021  
Remplace 80043-309-20 Rev.07, 01/2020



**I-Line™ Circuit Breaker Power Distribution Panelboards**  
**Tableros de distribución para interruptores automáticos I-Line™**  
**Panneaux de distribution d'alimentation à disjoncteurs I-Line<sup>MC</sup>**

Electrical equipment should be installed, operated, serviced, and maintained only by qualified personnel. No responsibility is assumed by Schneider Electric for any consequences arising out of the use of this material.

© 1996–2021 Schneider Electric  
All Rights Reserved

Schneider Electric and Square D are trademarks owned by Schneider Electric Industries SAS or its affiliated companies. All other trademarks are the property of their respective owners.

**Schneider Electric USA, Inc.**

1415 S. Roselle Road  
Palatine, IL 60067 USA  
1-888-778-2733  
www.us.SquareD.com

80043-309-20 Rev. 08, 01/2021

Replaces 80043-309-20 Rev. 07,  
2020

Solamente el personal calificado deberá instalar, hacer funcionar y prestar servicios de mantenimiento al equipo eléctrico. Schneider Electric no asume responsabilidad alguna por las consecuencias emergentes de la utilización de este material.

© 1996–2021 Schneider Electric  
Reservados todos los derechos

Schneider Electric y Square D son marcas comerciales de Schneider Electric Industries SAS o sus compañías afiliadas. Todas las otras marcas comerciales son propiedad de sus respectivos propietarios.

Importado en México por:

**Schneider Electric, S.A. de C.V.**

Calz. J. Rojo Gómez 1121-A  
Col. Gpe. del Moral 09300 México, D.F.  
Tel. 55-5804-5000  
www.schneider-electric.com.mx

80043-309-20 Rev. 08, 01/2021

Reemplaza 80043-309-20 Rev. 07,  
2020

Seul un personnel qualifié doit effectuer l'installation, l'utilisation, l'entretien et la maintenance du matériel électrique. Schneider Electric n'assume aucune responsabilité des conséquences éventuelles découlant de l'utilisation de cette documentation.

© 1996–2021 Schneider Electric  
Tous droits reserves

Schneider Electric et Square D sont des marques commerciales de Schneider Electric Industries SAS ou de ses compagnies affiliées. Toutes les autres marques commerciales utilisées dans ce document sont la propriété de leurs propriétaires respectifs.

**Schneider Electric Canada, Inc.**

5985 McLaughlin Road  
Mississauga, ON L5R 1B8 Canada  
Tel: 1-800-565-6699  
www.schneider-electric.ca

80043-309-20 Rev. 08, 01/2021

Remplace 80043-309-20 Rev. 07,  
2020