

PowerLogic™ ION8650

Energy and power quality socket meter

Medidor de soporte de energía y de calidad de energía

Compteur à socle pour mesure de la qualité de l'énergie

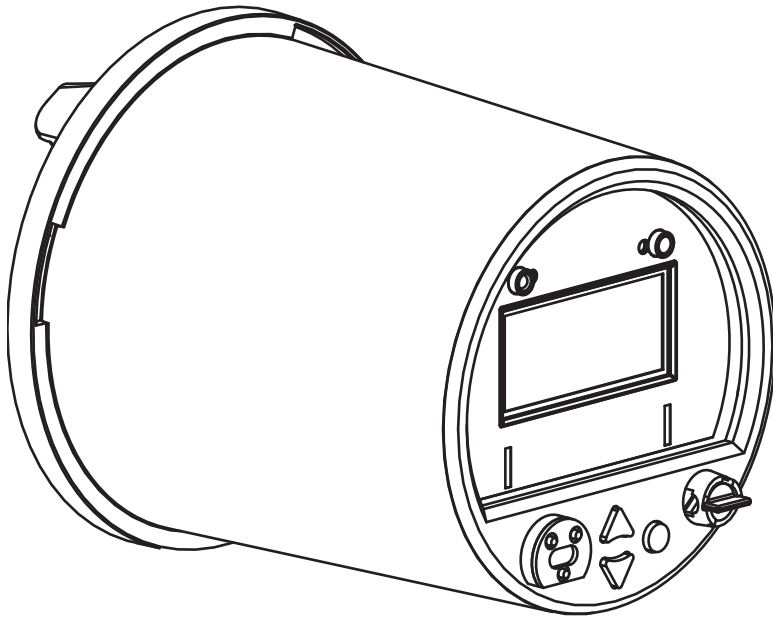
Installation guide

Manual de instalación

Manuel d'installation

7ML02-0304-03

10/2021



English

Español

Français

Safety information	5
Overview	9
Installation	13
Specifications	27
Appendix A: Additional setup options	30
Información de seguridad	35
Descripción general	39
Instalación	45
Especificaciones	61
Appendix A: Opciones adicionales de configuración	64
Informations de sécurité	69
Général	73
Installation	78
Spécifications	95
Appendix A: Options de configuration supplémentaires	98

Safety information

Important information

Read these instructions carefully and look at the equipment to become familiar with the device before trying to install, operate, service or maintain it. The following special messages may appear throughout this manual or on the equipment to warn of potential hazards or to call attention to information that clarifies or simplifies a procedure.



The addition of either symbol to a “Danger” or “Warning” safety label indicates that an electrical hazard exists which will result in personal injury if the instructions are not followed.

This is the safety alert symbol. It is used to alert you to potential personal injury hazards. Obey all safety messages that follow this symbol to avoid possible injury or death.

DANGER

DANGER indicates a hazardous situation which, if not avoided, **will result in** death or serious injury.

WARNING

WARNING indicates a hazardous situation which, if not avoided, **could result in** death or serious injury.

CAUTION

CAUTION indicates a hazardous situation which, if not avoided, **could result in** minor or moderate injury.

NOTICE

NOTICE is used to address practices not related to physical injury.

Please note

Electrical equipment should be installed, operated, serviced and maintained only by qualified personnel. No responsibility is assumed by Schneider Electric for any consequences arising out of the use of this material.

A qualified person is one who has skills and knowledge related to the construction, installation and operation of electrical equipment and has received safety training to recognize and avoid the hazards involved.

Notices

Legal information

The Schneider Electric brand and any registered trademarks of Schneider Electric Industries SAS referred to in this guide are the sole property of Schneider Electric SA and its subsidiaries. They may not be used for any purpose without the owner's permission, given in writing. This guide and its content are protected, within the meaning of the French intellectual property code (Code de la propriété intellectuelle français, referred to hereafter as "the Code"), under the laws of copyright covering texts, drawings and models, as well as by trademark law. You agree not to reproduce, other than for your own personal, noncommercial use as defined in the Code, all or part of this guide on any medium whatsoever without Schneider Electric's permission, given in writing. You also agree not to establish any hypertext links to this guide or its content. Schneider Electric does not grant any right or license for the personal and noncommercial use of the guide or its content, except for a non-exclusive license to consult it on an "as is" basis, at your own risk. All other rights are reserved.

Electrical equipment should be installed, operated, serviced and maintained only by qualified personnel. No responsibility is assumed by Schneider Electric for any consequences arising out of the use of this material.

As standards, specifications and designs change from time to time, please ask for confirmation of the information given in this publication.

FCC Part 15 notice

This equipment has been tested and found to comply with the limits for a Class B digital device, pursuant to part 15 of the FCC Rules. These limits are designed to provide reasonable protection against harmful interference in a residential installation. This equipment generates, uses, and can radiate radio frequency energy and, if not installed and used in accordance with the instructions, may cause harmful interference to radio communications. However, there is no guarantee that interference will not occur in a particular installation. If this equipment does cause harmful interference to radio or television reception, which can be determined by turning the equipment off and on, the user is encouraged to try to correct the interference by one or more of the following measures:

- ◆ Reorient or relocate the receiving antenna.
- ◆ Increase the separation between the equipment and receiver.
- ◆ Connect the equipment to an outlet on a circuit different from that to which the receiver is connected.
- ◆ Consult the dealer or an experienced radio/TV technician for help.

The user is cautioned that any changes or modifications not expressly approved by Schneider Electric could void the user's authority to operate the equipment.

CAN ICES-3(B) /NMB-3(B)

FCC Part 68 notice

This equipment complies with Part 68 of the FCC rules and the requirements adopted by the Administrative Council for Terminal Attachments (ACTA). On the side of this equipment is a label that contains, among other information, a product identifier in the format US: AAAEQ##TXXXX. If requested, this number must be provided to the telephone company.

This equipment uses the following Universal Service Order Codes ("USOC") jacks: RJ11.

A plug and jack used to connect this equipment to the premises wiring and telephone network must comply with the applicable FCC Part 68 rules and requirements adopted by the ACTA. A compliant telephone cord and modular plug or compliant modular jack is provided with this product.

The REN is used to determine the number of devices that may be connected to a telephone line. Excessive RENs on a telephone line may result in the devices not ringing in response to an incoming call. In most but not all areas, the sum of RENs should not exceed five (5.0). To be certain of the number of devices that may be connected to a line, as determined by the total RENs, contact the local telephone company. The REN for this product is part of the product identifier that has the format US: AAAEQ##TXXXX. The digits represented by ## are the REN without a decimal point (e.g., 03 is a REN of 0.3).

If this equipment, Digital Power Meter with Internal Modem, causes harm to the telephone network, the telephone company will notify you in advance that service may be temporarily discontinued. When advance notice is not practical, the telephone company will notify you as soon as possible. You will also be advised of your right to file a complaint with the FCC if you believe it is necessary.

The telephone company may make changes in its facilities, equipment, operations or procedures that could affect the operation of this equipment. If this happens, the telephone company will provide advance notice in order for you to make necessary modifications to maintain uninterrupted service.

If you experience trouble with this equipment, Digital Power Meter with Internal Modem, please contact Schneider Electric at 615-287-3400. If this equipment is causing harm to the telephone network, the telephone company may request that you disconnect this equipment until the problem is resolved.

There are no user serviceable parts in this equipment.

Connection to party line service is subject to state tariffs. Contact the state public utility commission, public service commission or corporation commission for information.

If your premises has specially wired alarm equipment connected to the telephone line, ensure that the installation of this Digital Power Meter with Internal Modem does not disable your alarm equipment. If you have questions about what will disable alarm equipment, consult your telephone company or a qualified installer.

Network compatibility notice for the internal modem

The internal modem in meters equipped with this option is compatible with the telephone systems of most countries in the world, with the exception of Australia and New Zealand. Use in some countries may require modification of the internal modem's initialization strings. If problems using the modem on your phone system occur, please contact Schneider Electric Technical Support.

Calibration compliance

Schneider Electric certifies that this product meets the published specifications and has been calibrated and tested using equipment and standards traceable to the National Institute of Standards and Technology (NIST) in the US or the National Research Council of Canada (NRC). For details, refer to the Certificate of Calibration for this product.

Standards compliance



Made by Schneider Electric SE

Overview

The PowerLogic™ ION8650 advanced power and energy revenue meter features comprehensive logging, advanced power quality measurement, multi-protocol and multi-port communications, including IRIG-B support, and optional onboard and remote I/O capabilities.

This document outlines the steps for installing the socket version of the ION8650 meter.

High accuracy metering considerations

In situations where the magnitude and quality of the voltage input source is insufficient (e.g., installations using PTs with low VA ratings or long conductor runs), consider using an auxiliary-powered ION8650.

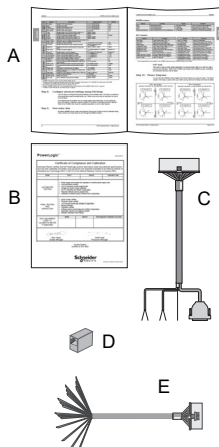
Additional information

For more information on the ION8650 meter, including documentation downloads and software tools, visit www.se.com. Available technical documentation includes:

- ◆ *ION8650 switchboard meter installation guide* - contains wiring and installation instructions for the switchboard version of the ION8650 meter.
- ◆ *ION8650 accuracy verification* technical note - details requirements and procedures for validating the meter's accuracy.
- ◆ *ION8650 user guide* - contains detailed information on meter operation, meter firmware updates, software support, communications, inputs/outputs, logging, time-of-use, alarm notification, and other advanced features.
- ◆ ION8650 cellular modem - contains information regarding cell modem specifications, configuration and activation.
- ◆ *I/O Expander installation guide* - describes the optional external I/O device that you can connect to the ION8650, for additional digital I/O and analog output ports.
- ◆ Product option documents - provide option-specific information about the various product options you can order for the meter. They usually ship with the product.
- ◆ Technical notes - provide instructions for using meter features and for creating custom configurations.
- ◆ Online ION Setup help - describes how to use the ION Setup meter configuration software.
- ◆ *ION Reference* - explains the ION architecture and describes the operation and behavior of the different ION modules available in ION hardware and ION software products.

Before you begin

1. Familiarize yourself with the contents of this guide, in particular the sections “Safety precautions” on page 10 and “Specifications” on page 27.
2. Carefully unpack the meter from the box. The socket meter ships with the following:



A	This installation guide	B	The meter's calibration certificate
C	COM breakout cable: 24-pin female Molex to female DB9 connector (RS-232), two sets of twisted pair wires (RS-485)		
D	Optional Ethernet CAT5 female-to-female coupler (only if you ordered the Ethernet communications option)		
E	Optional I/O breakout cable: a 16-pin female Molex to 16 bare-ended wires for connecting to I/O devices (only if you ordered the onboard I/O option)		

3. Check that the part number on the front nameplate label matches the part number on your sales or purchase order (see “Front panel label” on page 11):
4. Verify that the socket base has been wired correctly (according to the manufacturer documentation and national or local electrical standards), and is compatible with the meter's form factor (see “Front panel label” on page 11) and supported electrical service types (see “Step 1: Socket base installation and wiring” on page 14).
5. Make sure you have all other required equipment and peripherals appropriate for your installation, e.g., Ethernet or RS-232 to RS-485 converter, optical probe, revenue seal, etc.

Recommended tools

- ◆ Torque screwdriver with #2 Phillips and nut driver bits
- ◆ Precision flat tip screwdriver
- ◆ Wire cutter, stripper and crimper
- ◆ Small needlenose pliers
- ◆ ION Setup meter configuration software (download and install latest version on the website)

Safety precautions

Installation, wiring, testing and service must be performed in accordance with all local and national electrical codes.

DANGER

HAZARD OF ELECTRIC SHOCK, EXPLOSION, OR ARC FLASH

- Apply appropriate Personal Protective Equipment (PPE) and follow safe electrical work practices. See NFPA 70E, CSA Z462 or other local standards
- Turn off all power supplying this device and the equipment in which it is installed before working on or in the equipment.
- Always use a properly rated voltage sensing device to confirm that all power is off.
- Do not exceed the maximum ratings of this device.
- Do not use this device for critical control or protection of persons, animals, property or equipment.
- Do not short secondary terminals of Voltage Transformer (VT)
- Do not open secondary terminals of Current Transformer (CT)
- Ground secondary circuit of CTs.
- Assume communications and IO wiring are hazardous live until determined otherwise.
- Do not perform Dielectric (Hi-Pot) or Megger testing on this device.
- Connect protective ground (earth) before turning on any power supplying this device.
- Replace all devices, doors and covers before turning on power to this equipment.

Failure to follow these instructions will result in death or serious injury.

NOTE

Do not perform Dielectric (Hi-Pot) or Megger testing on the ION8650 because its internal surge protection circuitry starts functioning at levels below typical Hi-Pot voltages. Contact your local Schneider Electric representative for more information on device specifications and factory testing.

Available models

The ION8650 meter is available in three different models:

Model ¹	Memory	Data recorders	Description
ION8650A	128 MB	50 (800 channels)	Class A power quality analysis meter with 1024 samples/cycle transient detection, Flicker, PQ waveform support, interharmonics, EN50160 power quality monitoring and Modbus mastering
ION8650B	64 MB	45 (720 channels)	Class S compliant meter with EN50160 power quality monitoring and Modbus mastering
ION8650C	32 MB	5 (80 channels)	Basic tariff/energy meter

¹ Visit www.se.com for more information on the different models.

Meter options

The model number (shown in “Front panel label” on page 11) indicates the meter’s options

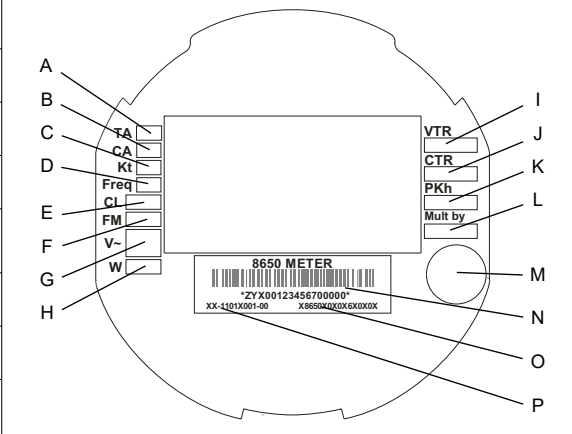
Option	Code	Description
Power supply ¹ M 8 6 5 0 A 0 C 0 H 6 C 1 B 0 A	E	3-phase power supply (blade powered) ²
	H	Auxiliary power supply - Standard
	J	Auxiliary power supply - High voltage
Communications ³ M 8 6 5 0 A 0 C 0 H 6 C 7 A 0 A	A0	Front panel optical port, RS-232/RS-485, RS-485
	C7	Front panel infrared optical port, RS-232/RS-485, RS-485, Ethernet ⁴ , internal modem
	E1	Front panel infrared optical port, RS-232/RS-485, RS-485, Ethernet ⁴
	F1	Front panel infrared optical port, RS-232/RS-485, RS-485, Ethernet (100BASE-FX multi-mode with ST connectors)
	M1	Front panel infrared optical port, RS-232/RS-485, RS-485, internal modem
	S0	Front panel infrared optical port, RS-232/RS-485, RS-485, Ethernet ⁴ , CDMA cellular modem ⁵
	S1	Front panel infrared optical port, RS-232/RS-485, RS-485, Ethernet ⁴ , LTE cellular modem ⁵
I/O ⁶ M 8 6 5 0 A 0 C 0 H 6 C 1 B 0 A	A	No digital I/O
	B	4 Form C solid state digital outputs, 3 Form A digital inputs
	C	4 Form C solid state digital outputs, 1 Form A solid state digital output, 1 Form A digital input
	D	Ethernet outage notification

- ¹ Refer to “High accuracy metering considerations” on page 9 for recommendations when selecting a power supply option.
- ² The standard 3-phase power supply is powered from the meter’s voltage connections. Ensure your system meets the meter’s steady state voltage specifications.
- ³ The ION8650C meter can communicate simultaneously only through a maximum of three ports (the infrared optical port, plus two other communications ports). The ION8650A and ION8650B meters can communicate simultaneously through all communications ports.
- ⁴ Some features require Ethernet communications. See “Ethernet option” on page 19 for a list of services.
- ⁵ The cellular modem option is only available on the socket meter.
- ⁶ Additional inputs and outputs are available through the separately-ordered I/O Expander. The onboard digital I/O is not available on the ION8650 with the fiber option.

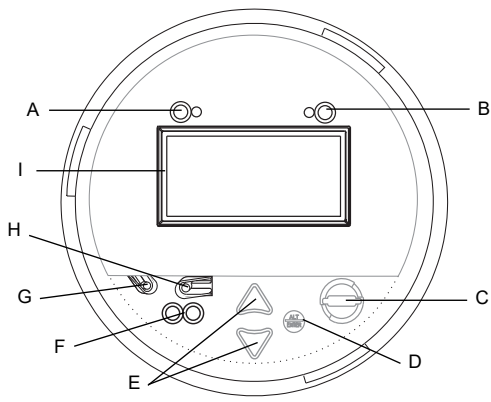
 **NOTE**

The fiber option for communication requires firmware version 404 (v404) and factory template v4.1.0.0.1 or later.

Front panel label

A	Test amperage		I	Voltage transformer ratio (VTR)
B	Class accuracy		J	Current transformer ratio (CTR)
C	Test constant (LED pulse rate)		K	Primary watt-hour constant
D	Frequency		L	Transformer factor (VTR x CTR)
E	Current range		M	Meter internal diagram (view from front of meter)
F	Form factor		N	ANSI bar code
G	Voltage input rating		O	Model number
H	Wiring configuration		P	Serial number

Front panel overview



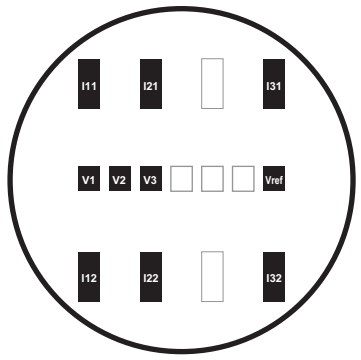
A	Watt pulser: A set of LEDs (infrared, red) used for real energy pulsing.
B	VAR pulser: A set of LEDs (infrared, red) used for reactive energy pulsing.
C	Demand reset switch: Resets the peak demand values logged in the meter. Can be activated with the cover on or off.
D	Round button (ALT/ENTER): Press to select a highlighted option. Also used to toggle between NORM and ALT display modes. Press and hold to access Setup menu.
E	Navigation buttons: Press the up or down buttons to scroll and highlight a different menu item or to increase/decrease the value of a highlighted number. Press and hold the up button to move the cursor to the left. Press and hold the down button to move the cursor to the right.
F	Infrared optical port
G	Master reset button: Located in a recessed button under the front label to prevent accidental activation. You must remove the meter cover and its label to access it.
H	Test mode button: Located under the front cover, this places the meter into Test mode, ceasing accumulation of billable quantities.
I	Meter LCD screen

Meter front with cover removed

Socket meter form factors

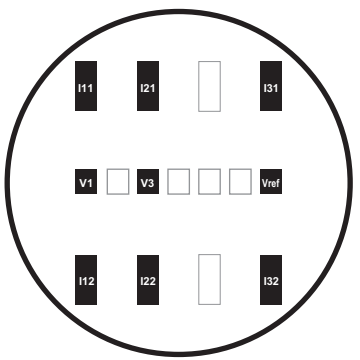
The socket meter is designed to fit an S-base electrical meter socket. Available meter form factors include 9S (supports 29S and 36S socket bases) and 35S.

9S 4-Wire Wye/Delta



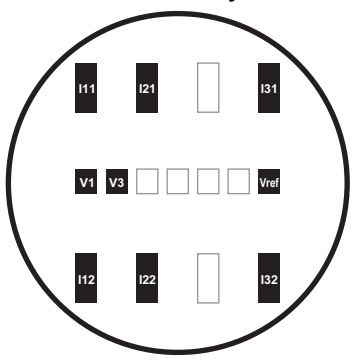
View from the front of socket

29S 4-Wire Wye¹



View from the front of socket

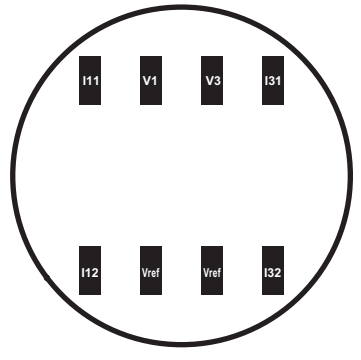
36S 4-Wire Wye¹



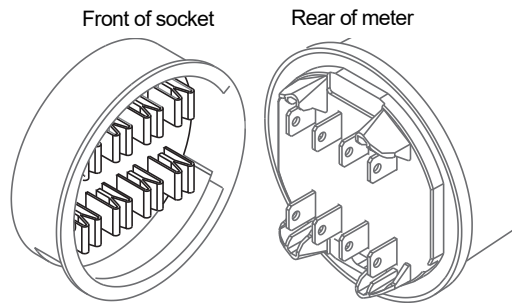
View from the front of socket

¹ The form factor 9S meter functions as a 29S meter or a 36S meter when you set the appropriate Volts Mode. See "Step 7: Set up meter using the front panel" on page 22.

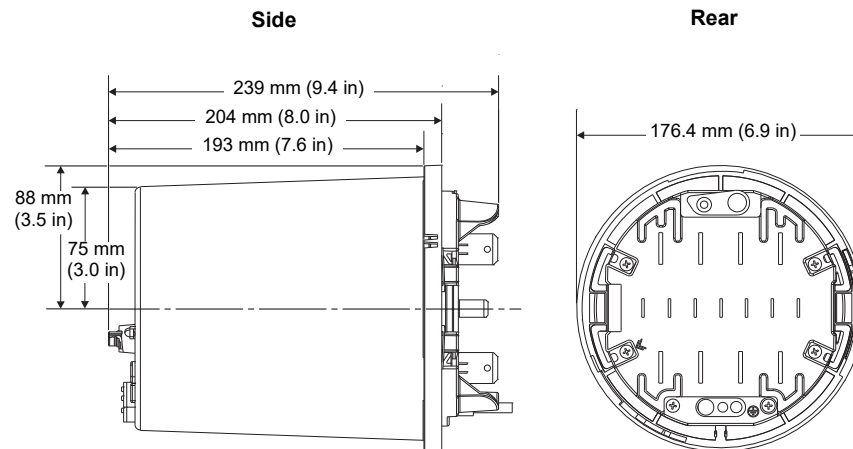
35S 3-Wire



View from the front of socket



Socket meter dimensions



Installation

Installation, wiring, testing and service must be performed in accordance with all local and national electrical codes.

⚠ DANGER

HAZARD OF ELECTRIC SHOCK, EXPLOSION OR ARC FLASH

- Apply appropriate Personal Protective Equipment (PPE) and follow safe electrical work practices. See NFPA 70E, CSA Z462 or other local standards.
- Turn off all power supplying this device and the equipment in which it is installed before working on or in the equipment.
- Always use a properly rated voltage sensing device to confirm that all power is off.
- Never bypass external fusing. Install properly rated fuses in voltage measurement circuits and in auxiliary (control) power circuit.
- Do not exceed the device's ratings for maximum limits. Use PTs (potential transformers) or VTs (voltage transformers) as necessary.
- Never short the secondary of a PT or VT.
- Never open circuit a CT (current transformer); use the shorting block to short circuit the leads of the CT before removing the connection from the device.
- Connect protective ground (earth) before turning on any power supplying this device.
- All electrical connections to the meter terminals must not be user-accessible after installation.
- Replace all devices, doors and covers before turning on power to this equipment.

Failure to follow these instructions will result in death or serious injury.

Step 1: Socket base installation and wiring

For existing installations, verify that the wiring and all required elements (fuses, etc.) are properly installed and working. For new installations, follow local and national electrical standards and refer to the documentation provided by the socket base manufacturer.

Electrical wiring considerations

Install 2 A slow-blow fuses (customer supplied) in the voltage measurement input circuits as shown in the following electrical wiring diagrams. The auxiliary power supply circuit, if applicable, must also be fused. See "Step 4: Connect the optional auxiliary power" on page 18 for details.

Using Potential Transformers

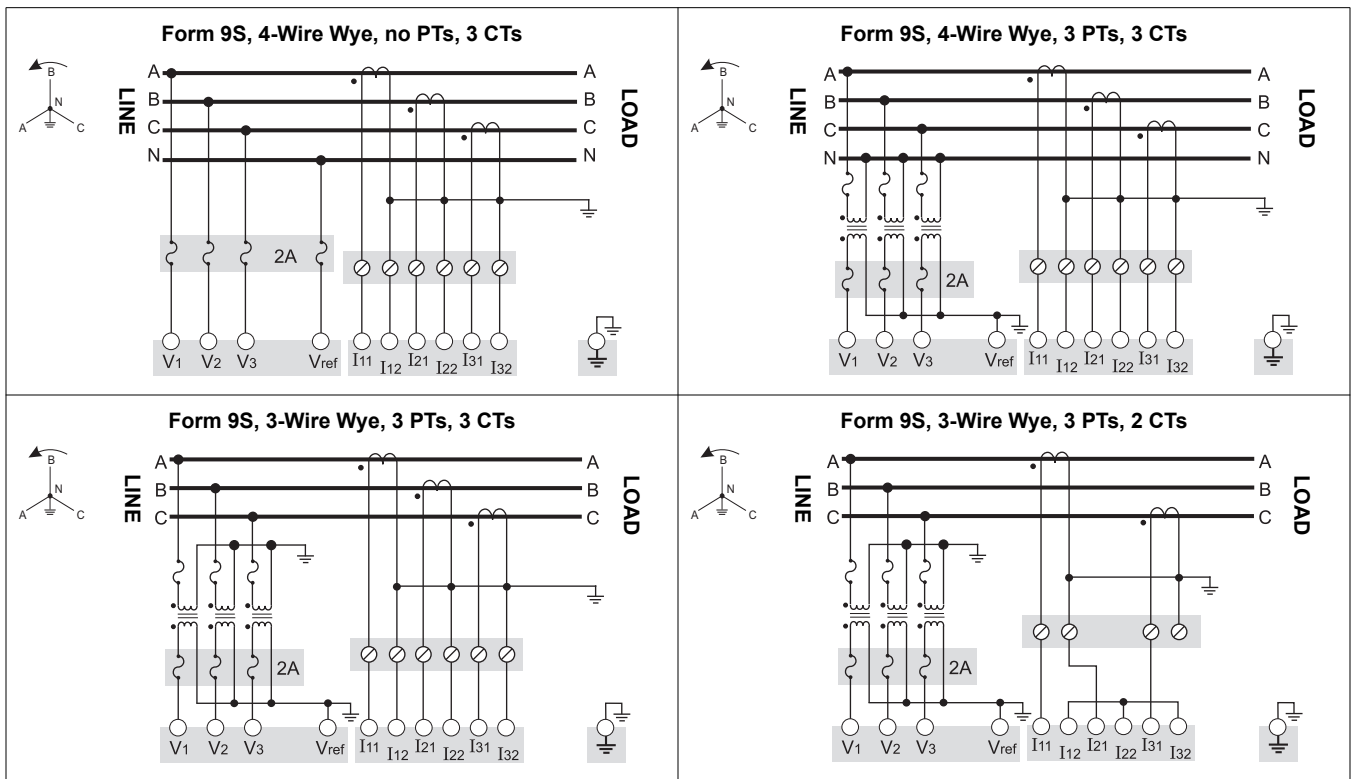
Wye system nominal voltage	Requires PT
120 VAC L-N or 208 VAC L-L	no
277 VAC L-N or 480 VAC L-L	no
347 VAC L-N or 600 VAC L-L	yes
over 347 VAC L-N or 600 VAC L-L	yes

Delta system nominal voltage	Requires PT
up to 480 VAC L-L	no
over 480 VAC L-L	yes

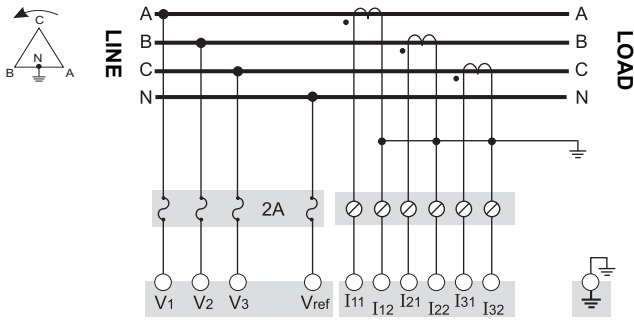
The following diagrams illustrate typical wiring conventions for the electrical service types supported by the different ION8650 meter form factors. After completing all electrical wiring, mounting and installation steps, refer to "Step 10: Use phasor diagrams to verify wiring" on page 25 for details on meter operation for different systems and volts modes, as well as verification of correct phase wiring.

Form 9S (3-element)

Set the meter's Volts Mode to **9S - 4 Wire Wye/Delta**. Voltage measurement limit is 57 to 277 VLN.



Form 9S, 4-Wire Delta, no PTs, 3 CTs (Red/High Leg Delta)



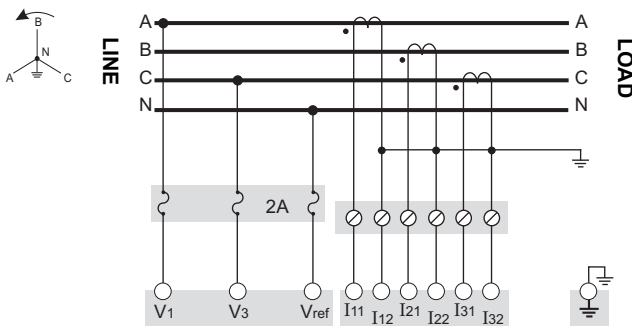
NOTE

Before performing an installation using the Form 9S 4-Wire Delta wiring configuration (diagram on left), see the *Red/High Leg Delta* technical note (download at www.se.com).

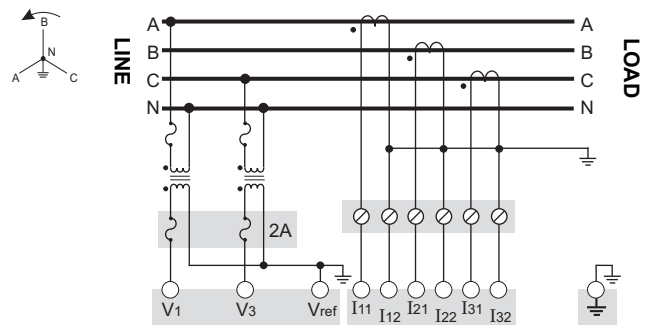
Form 29S (2½-element)

Set the meter's Volts Mode to **29S - 4 Wire Wye**. Voltage measurement limit is 57 to 277 VLN.

Form 29S, 4-Wire Wye, no PTs, 3 CTs



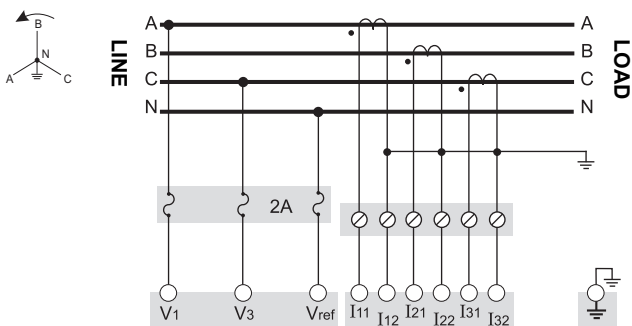
Form 29S 4-Wire Wye, 2 PTs, 3 CTs



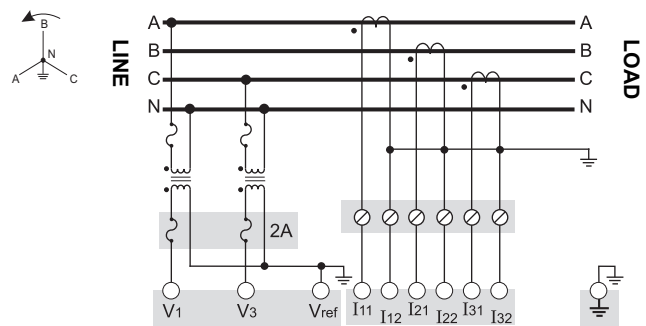
Form 36S (2½-element)

Set the meter's Volts Mode to **36S - 4 Wire Wye**. Voltage measurement limit is 57 to 277 VLN.

Form 36S, 4-Wire Wye, no PTs, 3 CTs



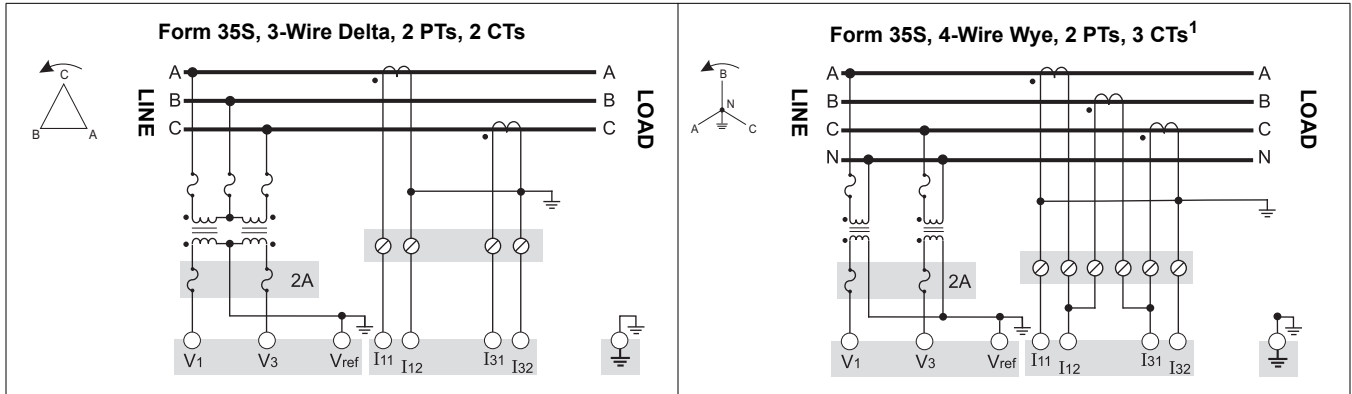
Form 36S 4-Wire Wye, 2 PTs, 3 CTs



Form 35S (2-element)

Set the meter's Volts Mode to **35S - 3 Wire**. Voltage measurement limit is 120 to 480 VLL.

ENGLISH



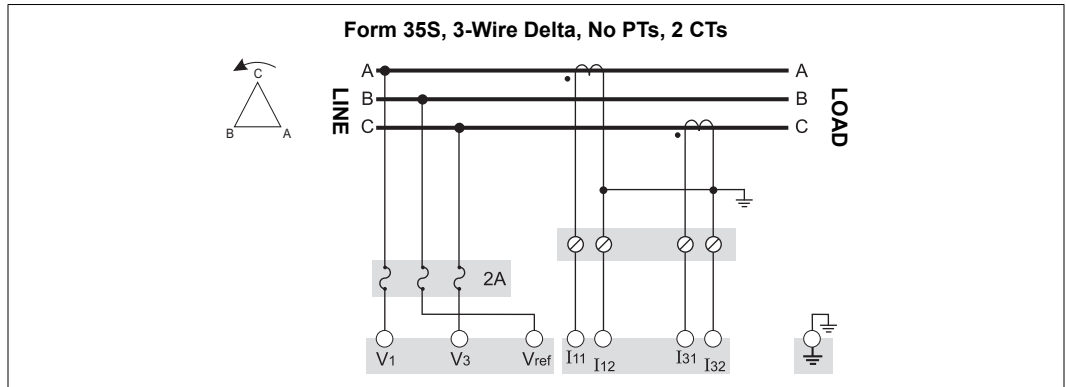
¹ This configuration can affect some of the meter's parameter calculations. Contact Technical Support for more details.

⚠ DANGER

HAZARD OF ELECTRIC SHOCK, EXPLOSION OR ARC FLASH

Do not connect Vref to ground when using the Form 35, 3-Wire Delta, No PTs, 2 CTs wiring diagram.

Failure to follow these instructions will result in death or serious injury



Step 2: Prepare the ground connections

⚠ DANGER

HAZARD OF ELECTRIC SHOCK, EXPLOSION OR ARC FLASH

- The meter's ground must be connected to protective ground (earth).
- Do not power up the meter until the ground is connected.

Failure to follow these instructions will result in death or serious injury.

Proper grounding of the meter helps:

- ◆ Provide a safe path to protective ground (earth)
- ◆ Protect the electronic circuitry in the meter
- ◆ Ensure and maintain meter accuracy

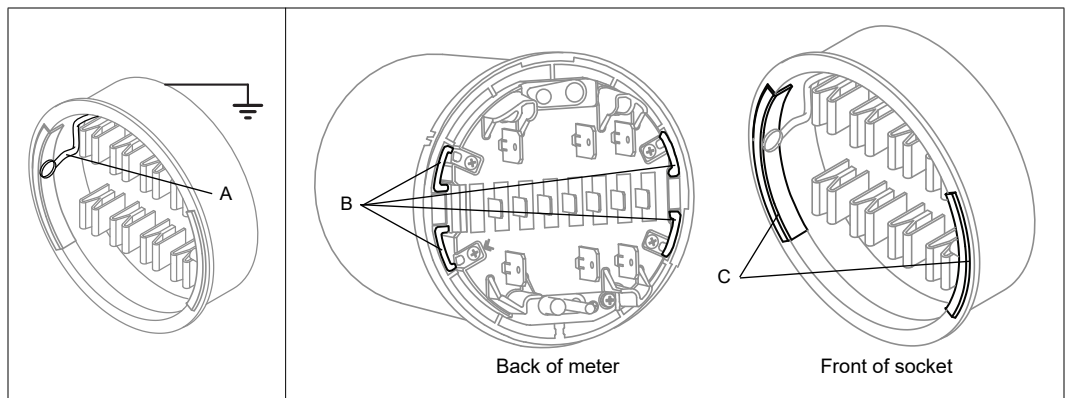
- ◆ Properly operate noise filtering within the meter
- ◆ Properly operate communications ports
- ◆ Comply with all local and national regulations

Grounding methods

You can use either or both grounding methods described below.

Grounding method 1: Using the socket base ground contacts

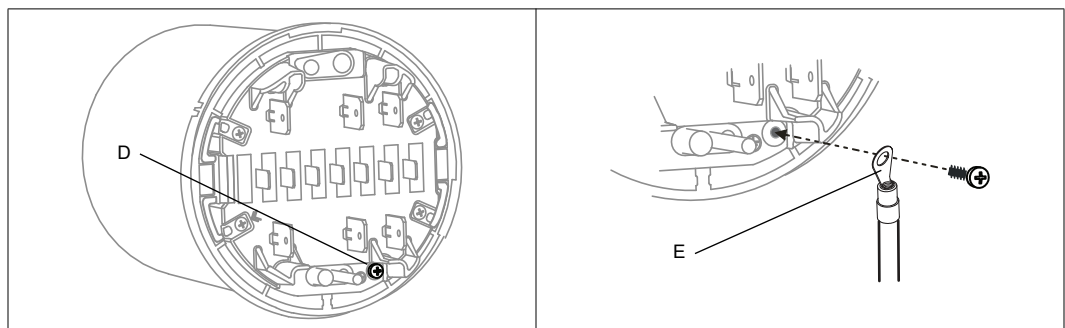
1. Use 3.31 mm² (12 AWG) wire (A) to connect the socket base ground to earth ground.
2. Inspect and clean the ground contacts (C) on the front of the socket base. Remove any paint, oxidation or other surface coating or contaminants that prevents proper electrical connection to meter's ground contacts (B).



3. Make sure that the meter ground contacts (B) are aligned with the socket base ground contacts (C) so they connect properly when the meter is mounted.

Grounding method 2: Using the meter ground lug

1. Crimp a ring type wire connector to a good quality ground wire, size 3.31 mm² (12 AWG).
2. Use a #2 Phillips head screwdriver to remove the meter ground lug (D).



3. Use the ground lug to fasten the ground wire (E) to the meter. Tighten to a torque of 1.6 to 1.9 N·m (14 to 17 in·lb).
4. Proceed to "Step 3: Mount the meter" on page 17, carefully feeding the ground wire, along with the other cables, through the socket base. Connect the meter ground to earth ground.

Step 3: Mount the meter

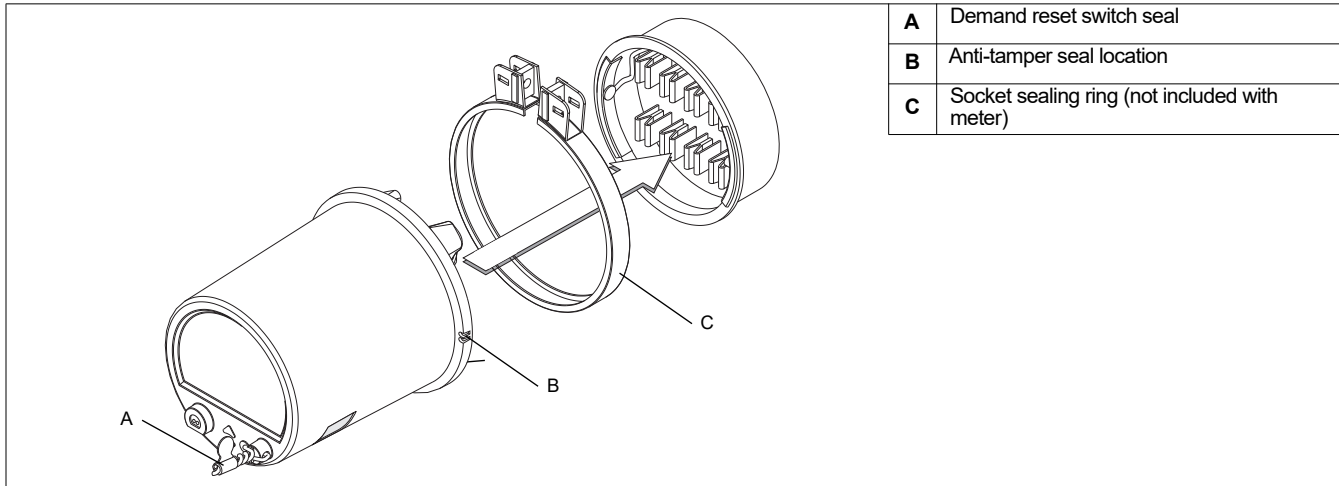
1. Disconnect and lock out power. Use a properly rated voltage sensing device to confirm that power is off.

2. Feed the meter's I/O and communications wiring, and ground wire (if applicable, see "Grounding method 2: Using the meter ground lug" on page 17) through the socket base opening, providing enough slack on the wiring to allow for future maintenance.

 **NOTE**

Depending on the socket style, you may need to loosen the socket bolts in order to feed the cables through.

3. Firmly push the meter into the socket base, taking care not to crush or pinch any wires.
4. If required, attach an anti-tamper seal through the outer cover and the meter.
5. If required, attach the socket sealing ring and seal the Demand Reset switch.



Step 4: Connect the optional auxiliary power

This section only applies if you ordered an auxiliary power supply option for your meter.

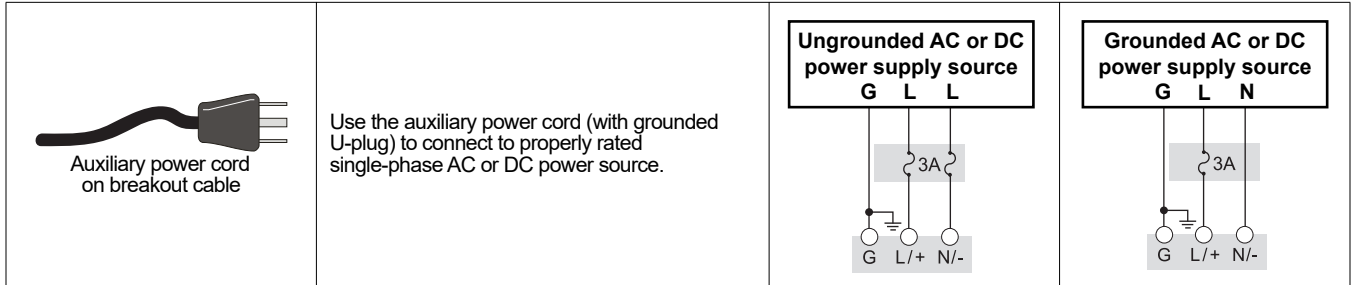
DANGER

HAZARD OF ELECTRIC SHOCK, EXPLOSION OR ARC FLASH

- Turn off all power supplying this device and the equipment in which it is installed before working on the device or equipment.
- Always use a properly rated voltage sensing device to confirm that all power is off.
- Verify the meter's power source meets the specifications for your meter's power supply option.

Failure to follow these instructions will result in death or serious injury.

- ◆ Install a properly-rated 3 A slow-blow fuse (customer supplied) on the L/+ terminal.
- ◆ Do not install a fuse on the meter's N/- terminal if the power supply source N/- terminal is grounded.
- ◆ Connect the G terminal to earth ground.



Step 5: Wire the communications and optional I/O

⚠ WARNING

HAZARD OF UNINTENDED OPERATION

Do not use this device for critical control or protection applications where human or equipment safety relies on the operation of the control circuit.

Failure to follow these instructions can result in death or serious injury.



Front optical port

Use an IEC Type II optical probe to communicate using the meter's front infrared port.

Ethernet option

Below are the default IP service port settings for Ethernet communications.

ION over TCP	Modbus RTU	EtherGate (COM1)	EtherGate (COM4)	Modbus TCP	DNP over TCP	FTP	IEC61850
7700	7701	7801	7802	502	20000	21	102


NOTE

The Ethernet port settings are configurable. See the *PowerLogic ION8650 User Guide* for more information on changing Ethernet port number assignments.

Connecting the fiber option

When you connect the fiber option comm card, terminate the connectors or wires as follows:

Port connection	Ethernet
Wire	62.5/125 multi-mode fiber optic
Length	68.6 mm (27 in)
Maximum length	2000 m (6562 ft)
Connector type	ST connectors on pigtail
Orange (Tx) to Rx)	Attach orange (Tx) to receive (Rx)

Black (Rx) to Tx 	Attach black (Rx) to transmit (Tx)
Data rate	100 Mbps
Isolation	Optical
Connect to	LAN/WAN Ethernet port

ION8650C considerations

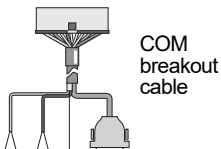



For ION8650C, the front optical port plus a maximum of two other communications ports can be enabled. The following table shows the factory-default enabled ports:

Communications Option	Code	Factory-enabled communications port ¹
M 8 6 5 0 C 0 C 0 H 6 [C 7] A 0 A	A0	RS-232/RS-485 and RS-485
	C7	Ethernet and internal modem (RS-232/RS-485 and RS-485 are disabled)
	E1	RS-485 and Ethernet (RS-485 is disabled)
	F1	RS-485 and Ethernet (RS-485 is disabled)
	M1	RS-232/RS-485 and internal modem (RS-485 is disabled)
	S0	Front panel infrared optical port, RS-232/RS-485, RS-485, Ethernet, cellular modem ²

¹ See "Meter options" on page 11 for a full list of available communications options.

² The cellular modem option is only available on the socket meter.

1. If you are not including an I/O Expander in your installation, connect the COM breakout cable to the meter cable that has a 24-pin Molex connector.
2. Terminate the connectors or wires as follows:

	Port connection	Wire or connector	Connect to
 COM breakout cable	COM1 (RS-232) ¹	DB9 connector (from breakout cable)	computer RS-232 serial port
	COM1 (RS-485) ²	White wire (from breakout cable)	RS-485 Data +
		Black wire (from breakout cable)	RS-485 Data -
	RS-485 common shield	Bare wire (from breakout cable)	RS-485 shield (COM1 and COM4)
	COM4 (RS-485)	Red wire (from breakout cable)	RS-485 Data +
Black wire (from breakout cable)		RS-485 Data -	
	COM 2 (modem)	RJ11 connector	modem telephone line
	Ethernet	RJ45 connector	LAN/WAN Ethernet port
	IRIG-B ³	Red wire	IRIG-B (+)
		Black wire	IRIG-B (-)

¹ Refer to the section, "RS-232 connections" on page 30 for additional information on RS-232 connections.

² For RS-485 communications, use an Ethernet to RS-485 or RS-232 to RS-485 converter. Refer to the communications converter documentation for details.

³ IRIG-B cannot be configured via the meter's front panel. See the *IRIG-B GPS time synchronization* technical note for configuration procedures

NOTE

If the Ethernet or modem connector is covered with a cap, that communications option is not available on your meter. Label or tag the cable end to clearly indicate that the option is not available.

I/O Expander option

If you are including an I/O Expander in your installation, connect the meter cable with the 24-pin Molex connector directly to the I/O Expander. Do not use the COM breakout cable in this situation. Refer to the *I/O Expander Installation Guide* for details on how to terminate the communications connectors.

24-pin Molex connector pinout

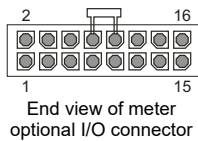
The following table describes the serial communications wiring to the 24-pin Molex connector. Use this if you want to wire the meter's serial communications without using the COM breakout cable:

Function	Wire color / stripe	Pin ¹		Wire color / stripe	Function
COM4 RS-485 Data +	White / blue	1	2	Blue / white	COM4 RS-485 Data -
N/A - do not use	Black / blue	3	4	Black	COM1 RS-232 CTS
COM1 RS-232 CD	White	5	6	Red	COM1 RS-232 RXD
COM1 RS-232 TXD	Green	7	8	Brown	COM1 RS-232 DTR
COM1 RS-232 RTS	Blue	9	10	Orange	COM1 RS-232 ground
COM1 RS-485 Data +	Red / blue	11	12	Blue / red	COM1 RS-485 Data -
RS-485 common shield	Bare wire	13	14	Black/orange, Black/green	N/A - do not use

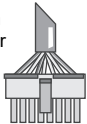
¹ Pins 15 to 24 are not used, and should be left disconnected.

Optional onboard I/O wiring

This section only applies if you ordered an onboard I/O option for your meter. See "Meter options" on page 11 to determine your meter's onboard I/O option. For additional information, see the specifications table, "Onboard I/O" on page 28.



from meter



I/O breakout cable

1. Connect the supplied I/O breakout cable to the onboard I/O connector from the meter (16-pin Molex).
2. Terminate the wire ends as follows:

Onboard I/O Option B					
Function	Wire color / stripe	Pin		Wire color / stripe	Function
Output C1 - K	Black	1	2	White	Output C1 - Z
Output C2 - Z	Red	3	4	Green	Output C1 - Y
Output C2 - Y	Orange	5	6	Blue	Output C2 - K
Output C3 - K	White / black	7	8	Red / black	Output C3 - Z
Output C4 - Z	Green / black	9	10	Orange / black	Output C3 - Y
Output C4 - Y	Blue / black	11	12	Black / white	Output C4 - K
Input S2	Red / white	13	14	Green / white	Input S1
Input SCOM	Blue / white	15	16	Black / red	Input S3

Onboard I/O Option C					
Function	Wire color / stripe	Pin		Wire color / stripe	Function
Output C1 - K	Black	1	2	White	Output C1 - Z
Output C2 - Z	Red	3	4	Green	Output C1 - Y
Output C2 - Y	Orange	5	6	Blue	Output C2 - K
Output C3 - K	White / black	7	8	Red / black	Output C3 - Z
Output C4 - Z	Green / black	9	10	Orange / black	Output C3 - Y
Output C4 - Y	Blue / black	11	12	Black / white	Output C4 - K
Output A1 - K	Red / white	13	14	Green / white	Output A1 - Y
Input SCOM	Blue / white	15	16	Black / red	Input S1

3. Refer to "Additional setup options" on page 30 for more information.

NOTE

All digital inputs are assigned, by default. All solid state digital outputs are not assigned (use Power Monitoring Expert or ION Setup to configure the digital outputs).

Step 6: Power up the meter

DANGER

HAZARD OF ELECTRIC SHOCK, EXPLOSION OR ARC FLASH

- Make sure protective ground (earth) is connected before turning on power to the meter.
- All electrical connections to the meter terminals must not be user-accessible after installation.
- Replace all devices, doors and covers before putting the meter into service.

Failure to follow these instructions will result in death or serious injury.

1. Close the PT fuses (or direct voltage input fuses).
2. Open the CT shorting blocks.
3. Apply power to the meter.

Verify meter operation

When you apply power to the meter, the front panel screen turns on and briefly displays a message to show that the meter is starting, then it scrolls through the different display screens. The LEDs on the side of the meter flash to indicate communications activity.

Step 7: Set up meter using the front panel

The following sections describe how to configure the meter using the front panel buttons.

Front panel button navigation

1. Press and hold the round (ALT/ENTER) button to access the meter's setup screens.
2. Press the up or down (navigation) button to change the selection (highlighted item).
3. Press the round button to select.
4. To go back to the previous screen, highlight RETURN then press the round button.

Modifying the meter setup values

1. Use one of the methods below to change the setup value:
 - ◆ To select a different option from a list, press the up or down button to highlight the item you want, then press the round button to select it.
 - ◆ To change a numeric value, use the up or down button to increase or decrease the number. Press and hold the up button to move the cursor position to the left, or press and hold the down button to move it to the right.
2. Press the round button to set the change:
 - ◆ Enter the password if prompted. Default password is "0" (zero).
 - ◆ Select YES at the CONFIRM CHANGE screen, then press the round button.

Front panel setup menus

The following table lists the setup menus and describes the setup registers. The meter displays "Not Available" if the optional hardware or feature is not present.

Use ION Setup to configure setup registers that are not accessible through the front panel.

Menu	Setting	Description	Range (Values)	Default
Basic Setup	Volts Mode	The power system's wiring configuration	9S - 4 Wire Wye/Delta, 29S - 4 Wire Wye, 35S - 3 Wire, 36S - 4 Wire Wye, DEMO	9S - 4 Wire Wye/Delta
	PT Primary	The Potential Transformer's primary winding voltage rating	1.0 to 999,999.00	120
	PT Secondary	The Potential Transformer's secondary winding voltage rating	1.0 to 999,999.00	120
	CT Primary	The Current Transformer's primary winding current rating	1.0 to 999,999.00	5
	CT Secondary	The Current Transformer's secondary winding current rating	1.0 to 999,999.00	5
	VA Polarity	The polarity of the Potential Transformer on VA	Normal or Inverted	Normal
	VB Polarity	The polarity of the Potential Transformer on VB	Normal or Inverted	Normal
	VC Polarity	The polarity of the Potential Transformer on VC	Normal or Inverted	Normal
	IA Polarity	The polarity of the Current Transformer on IA	Normal or Inverted	Normal
	IB Polarity	The polarity of the Current Transformer on IB	Normal or Inverted	Normal
	IC Polarity	The polarity of the Current Transformer on IC	Normal or Inverted	Normal
	Phase Rotation	Power system's phase rotation	ABC, ACB	ABC
COM1 Setup (RS-232/RS-485)	Protocol	Specifies the protocol used on this port	None, ION, Modbus RTU, Modbus Master ¹ , DNP v3.00, DLMS, ModemGate, GPS: Truetime/Datum, GPS: Arbiter, GPS: Arbiter-Vorne, Factory, EtherGate	ION
	Baud Rate	Specifies COM port baud rate during serial communications	300 to 115200	9600
	Transmit Delay	Specifies the port's transmit delay setting	0 to 1.00	0.01
	Unit ID	Identifies the meter during serial communications	1 to 9999	From serial number ²
	Serial Port	Data, parity and stop bits for the port	8O1, 8O2, 8N1, 8N2, 8E1, 8E2	8N1
	RS232 or RS485	Specifies RS-232 or RS-485	RS232, RS485	RS232
	RTS/CTS Handshake	Specifies if hardware flow control is used during RS-232 communication	RTS with delay, RTS/CTS	RTS with delay
	RS485 Bias	Specifies whether or not RS-485 biasing is applied to port	ON or OFF	OFF
COM2 Setup (Modem)	Protocol	Specifies the protocol used on this port	None, ION, Modbus RTU, DNP v3.00, DLMS, GPS: Truetime/Datum, GPS: Arbiter, GPS: Arbiter-Vorne, Factory	ION
	Baud Rate	Specifies COM port baud rate during serial communications	300 to 115200	9600
	Transmit Delay	Specifies the port's transmit delay setting	0 to 1.00	0.01
	Unit ID	Identifies the meter during serial communications	1 to 9999	101
COM3 Setup (Front optical)	Protocol	Specifies the protocol used on this port	None, ION, Modbus RTU, Modbus Master ¹ , DNP v3.00, DLMS, GPS: Truetime/Datum, GPS: Arbiter, GPS: Arbiter-Vorne, Factory	ION
	Baud Rate	Specifies baud rate during serial communications	300 to 115200 ³	9600
	Transmit Delay	Specifies the port's transmit delay setting	0 to 1.00	0.01
	Unit ID	Identifies the meter during communications	1 to 9999	102
COM4 Setup (RS-485)	Protocol	Specifies the protocol used on this port	None, ION, Modbus RTU, Modbus Master ¹ , DNP v3.00, DLMS, ModemGate, GPS: Truetime/Datum, GPS: Arbiter, GPS: Arbiter-Vorne, Factory, EtherGate	ION
	Baud Rate	Specifies baud rate during serial communications	300 to 115200	9600
	Transmit Delay	Specifies the port's transmit delay setting	0 to 1.00	0.01
	Unit ID	Identifies the meter during communications	1 to 9999	103
	Serial Port	Data, parity and stop bits for the port	8O1, 8O2, 8N1, 8N2, 8E1, 8E2	8N1
Cell Modem Setup	RS485 Bias	Specifies whether or not RS-485 biasing is applied to port	ON or OFF	OFF
	Connection 1 Protocol	Specifies the protocol used for connection 1	None, ION, Modbus TCP, DNP 3.0, EtherGate	None
	Connection 1 Port Number	Specifies the port number to establish connection 1	1 - 65535	0
	Connection 2 Protocol	Specifies the protocol used for connection 2	None, ION, Modbus TCP, DNP 3.0, EtherGate	None
	Connection 2 Port Number	Specifies the port number to establish connection 2	1 - 65535	0
	Connection 3 Protocol	Specifies the protocol used for connection 3	None, ION, Modbus TCP, DNP 3.0, EtherGate	None
	Connection 3 Port Number	Specifies the port number to establish connection 3	1 - 65535	0
	Connection 4 Protocol	Specifies the protocol used for connection 4	None, ION, Modbus TCP, DNP 3.0, EtherGate	None
	Connection 4 Port Number	Specifies the port number to establish connection 4	1 - 65535	0
	Connection 5 Protocol	Specifies the protocol used for connection 5	None, ION, Modbus TCP, DNP 3.0, EtherGate	None
	Connection 5 Port Number	Specifies the port number to establish connection 5	1 - 65535	0
	Connection 6 Protocol	Specifies the protocol used for connection 6	None, ION, Modbus TCP, DNP 3.0, EtherGate	None
	Connection 6 Port Number	Specifies the port number to establish connection 6	1 - 65535	0
	IP Address	Specifies the IP address assigned to the cell modem by the network	xxx.xxx.xxx.xxx	not configurable
	Set Firewall	Specifies up to two networks accepted by the cell modem. Addresses are entered as pairs (ip, mask, ip, mask)	aaa.aaa.aaa.aaa, bbb.bbb.bbb.bbb	None
	MEID	Displays Mobile Equipment Identifier	not configurable	not configurable

Menu	Setting	Description	Range (Values)	Default
Network Setup	IP Address	Specifies TCP/IP Ethernet address	0.0.0.0 to 255.255.255.255 ³	None ⁴
	Mask	Specifies Subnet Mask	0.0.0.0 to 255.255.255.255	None
	Gateway	Specifies Ethernet gateway (if used)	0.0.0.0 to 255.255.255.255	None
	SMTP Address	Specifies location of SMTP Server	0.0.0.0 to 255.255.255.255	None
	MAC Address	Machine Access Control address	hexadecimal ⁵	N/A
	Port Enable	Specifies if the port is enabled or disabled	Webserver, FTP, DNP over TCP, ION over TCP, Modbus over TCP, Modbus TCP, Telnet	TBD
Enabled Com Ports ⁶	COM1	Specifies whether COM1 (RS-232/RS-485) is enabled or not	Enabled, Disabled	
	COM2	Specifies whether COM2 (Modem) is enabled or not	Enabled, Disabled	
	COM3	COM3 (Front optical port) is always enabled	Enabled	Enabled
	COM4	Specifies whether COM4 (RS485) is enabled or not	Enabled, Disabled	
	Ethernet	Specifies whether the Ethernet port is enabled or not	Enabled, Disabled	
	Undo & Return	Select this to cancel the changes made and return to the previous menu		
	Reboot	Select this to reboot the meter		
Format Setup	Phase Labels	Specifies how phases are labeled	123, ABC, RST, XYZ, RYB, RWB	ABC
	PF Symbol	Specifies what symbol pair is used to indicate power factor	CAP/IND (capacitive/inductive), LD/LG (lead/lag), +/-	LD/LG
	Digit Group	Specifies symbols used to delimit thousands & decimal place holder	1000.0 or 1,000.0 or 1 000,0	1000.0
	Date Format	Specifies how dates are displayed	YYYY/MM/DD, MM/DD/YYYY, DD/MM/YYYY	MM/DD/YYYY
	Show DST	Specifies whether or not DST is displayed	Do not display DST, Display DST	Display DST
	Volts Decimal	Number of decimal places displayed for voltages	1. to 123456789.XXX	1.XX
	Current Decimal	Number of decimal places displayed for currents	1. to 123456789.XXX	1.XX
	Power Decimal	Number of decimal places displayed for power values	1. to 123456789.XXX	1.XX
Display Setup	Update Rate	Sets how often the display is updated, in seconds	1s to 6s	1s
	Contrast	Sets the contrast of the display (higher numbers are sharper)	0 to 9	6
	Backlight TO	How long the front panel display backlight stays on after the last button is pressed	0 to 7200 (seconds) ⁷	300
	DMD Lock TO	Minimum time allowed between consecutive demand resets	0 to 5184000 (seconds)	2160000 (25 days)
	Test Mode TO	How long the device remains in test mode before reverting to normal	60 to 21600 (seconds)	1800
	Display Scale	Scale applied to values before they are displayed	1.00 to 999999.0	1000
	Scaling Mode	Specifies if values are divided or multiplied by the Display Scale before being displayed	Multiply or Divide	Divide
Security	Delta Vectors	Specifies how vector diagrams are displayed when in Delta mode	System or Instrument	Instrument
	Modify Passwd	Changes the password in standard security ⁸	0 - 99999999	0
	Disable Security	Removes password requirement for USER0 (front panel) when Advanced Security is not enabled.	Enabled, Disabled ⁹	Password Enabled
	Web Config	Allows configuration through web server interface	Enabled, Disabled	Enabled

¹ ION8650C (Feature set C) does not support Modbus Master protocol.

² The factory set Unit ID is based on the serial number of the meter. For example: Serial number: XXXX-1009X263-XX is factory set to unit ID **9263**.

³ After it has been entered, the address 0.0.0.0 is displayed as 'None' on the front panel.

⁴ To modify the NONE setting, press and hold the up arrow to enter edit mode.

⁵ MAC address is hard-coded at the factory and is for reference use only.

⁶ Applies only to ION8650C (Feature Set C). See "Switching the active communications ports for ION8650C (Feature Set C)" on page 31.

⁷ Setting the backlight timeout to 0 results in the backlight always being on.

⁸ This option is only available in standard security. When advanced security is enabled, the NOT AVAILABLE message is displayed on the front panel.

⁹ To disable or enable meter security, see "Meter security" on page 30.

Step 8: Configure advanced settings using ION Setup

Use ION Setup to configure the advanced features of the ION8650 meter. ION Setup is available as a free download at www.se.com. Refer to the online help for instructions on how to use ION Setup.

Some features are not enabled until you change certain setup parameters, such as setting the *NomVolts* register in Sag/Swell module to enable power quality functions. Refer to the *ION8650 User Guide* for a detailed explanation of all the meter features.

Step 9: View meter data

By default, the NORM (normal) display screens are displayed. Press the round (ALT/ENTER) button to switch to ALT (alternate) display mode. Use the up or down arrow buttons to scroll through the different screens.

NORM screens

Display	Contents	Display	Contents
kWh	kWh delivered/received	Peak Demand Reset	Number of Demand Resets (timestamped)
kVARh	kVARh delivered/received	Q Metering	Approximated VARh measurements
kVAh	kVAh delivered/received	Disk Simulator	Simulates mechanical watt-hour meter disk
Peak Demand Delivered	Maximum delivered kW, kVAR, kVA (timestamped)	All Segments	Black screen indicates functioning LCD pixels

ALT screens

Display	Contents	Display	Contents
Name Plate 1	Owner, firmware version, TAG 1 & 2	Active TOU Seasons	Active TOU billing season
Name Plate 2	Sliding window demand settings	TOU Energy by Rate	kWh delivered values for each TOU rate
Event Log	Most recent high priority (255) events	kW Peak Demand	Maximum kW delivered for each TOU rate
Phasor Diagram	Phasors and values for phase current/voltage	Past Billing Energy	kWh delivered in previous billing (PB)
Instantaneous Voltage	Phase voltage, average voltage (L-N or L-L)	Past Billing Peak Demand	Maximum kW delivered in PB
Instantaneous Current	Phase current, average current	Past Season Energy	kWh delivered for each TOU rate in PB
Instantaneous Power	kW total, kVAR total, kVA total, power factor	Past Season Peak Demand	Max kW delivered for each TOU rate in PB
Instantaneous Demand	kW delivered/received	Past Billing/Season Energy	kWh delivered/received in PB & season
Flicker ¹	Flicker measurements for V1, V2 and V3	Past Bill/Season Pk Dem	Max kW sd received from PB & season
Voltage Harmonics (3 screens)	Per-phase voltage harmonic histograms	Past Billing/Season Energy	kVARh del/rec in PB & season
Current Harmonics (3 screens)	Per-phase current harmonic histograms	Past Bill/Season Pk Demand	Max kVAR del/rec in PB & season
Active TOU Rate	Active TOU billing rate	Past Billing/Season Energy	kVAh del/rec from PB & season
		Past Bill/Season Pk Demand	Max kVA del/rec in PB & season

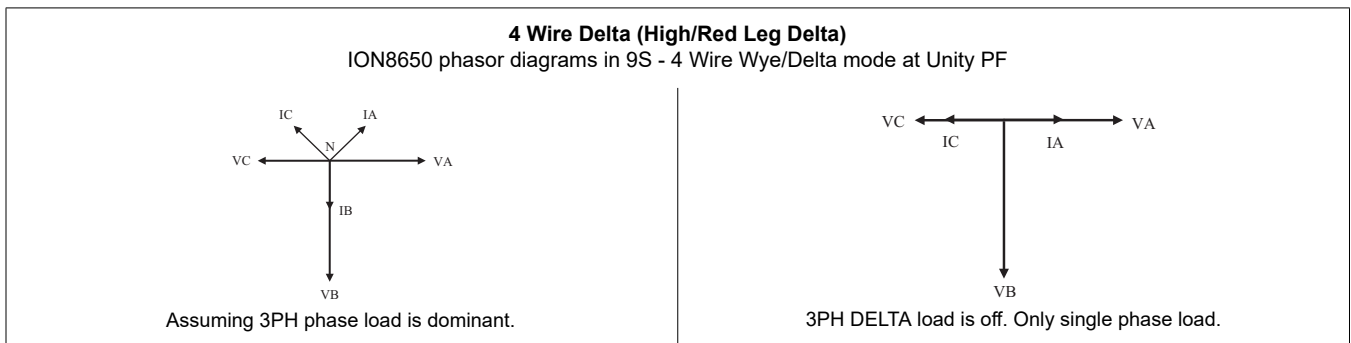
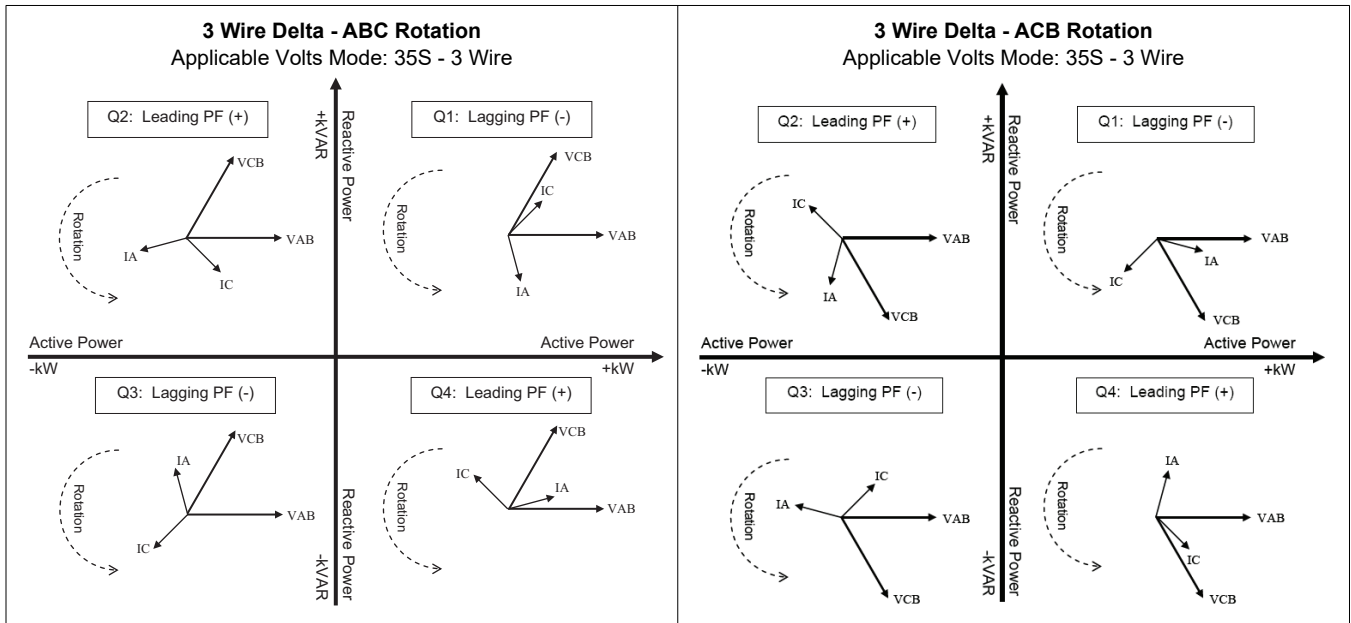
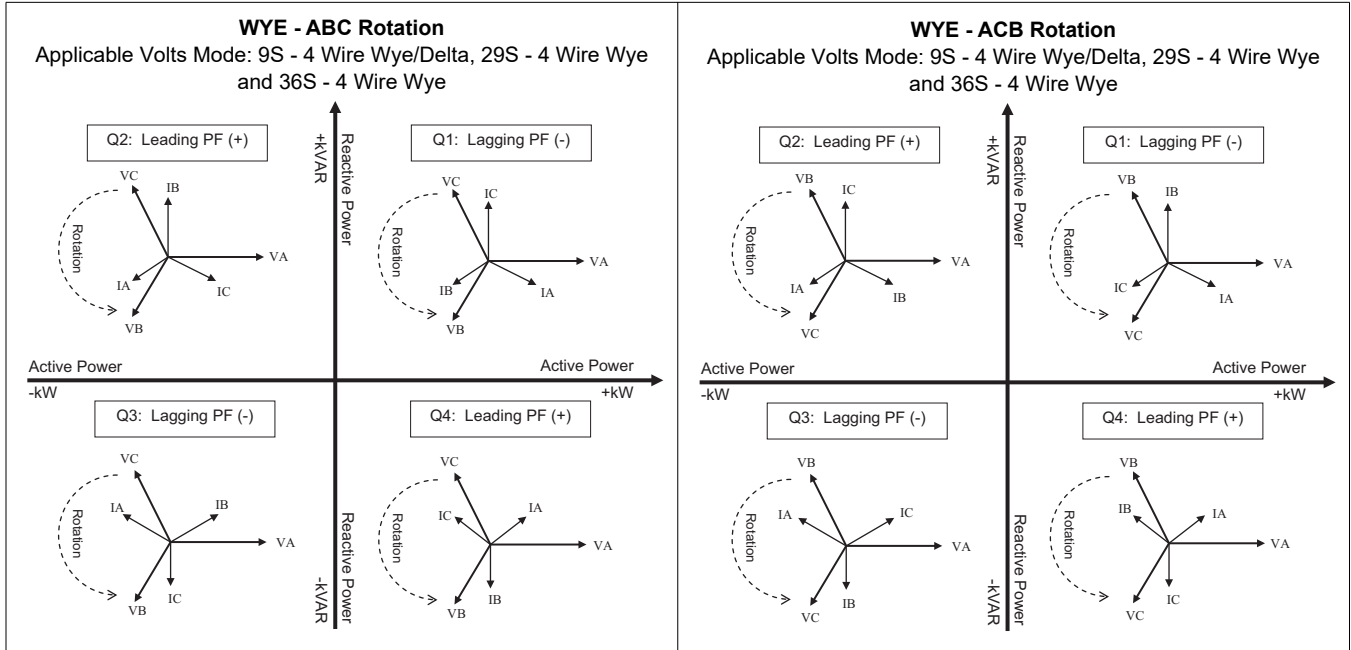
¹ Flicker measurements are only available on the ION8650A (Feature set A) and ION8650B (Feature set B) models.

TEST mode

Test mode is used to modify certain parameters in a hardware-locked meter or to verify the meter's accuracy. Refer to the *ION8650 user guide* and the *ION8650 accuracy verification* technical note for details.

Step 10: Use phasor diagrams to verify wiring

You can view the ION8650's phasor diagram from the front panel or by using ION Setup. The Phasor Viewer in ION Setup is used to verify your meter's wiring. See the ION Setup online help for details.



Specifications

The information contained in this section is subject to change without notice. Contact your local Schneider Electric representative for the latest updates.

Environmental

Pollution degree	2
Altitude	Less than 3000 m (9842 ft) above sea level
Operating range	-40 to 85 °C (-40 to 185 °F) internal ambient. Maximum ambient is -40 to 70 °C (-40 to 158 °F)
Display operating temperature	-20 to 60 °C (-4 to 140 °F)
Humidity	5 to 95% RH non-condensing

Measurement inputs

Voltage measurement inputs	Inputs	Form 9S: Va, Vb, Vc, Vref	Form 29S & 36S: Va, Vc, Vref	Form 35S: Vab, Vcb, Vref	
	Recommended wire gauge	5.26 mm ² (10 AWG)			
	Nominal voltage	Form 9S, 29S & 36S: 57 to 277 V L-N rms (-20%, +25%) Form 35S: 100 to 480 V L-L rms (-20%, +25%)			
	Maximum voltage, auxiliary powered meters	Form 9S, 29S & 36S: 347 V L-N rms, 600 V L-L rms 35S: 600 V L-L rms			
	Dielectric withstand	2500 V rms, 60 Hz for 1 minute			
	Rated impulse voltage	6 kV			
	Measurement / installation category	CAT III			
	Operating fundamental frequency range	42-69 Hz			
	Input impedance	5 MΩ per phase (phase to Vref)			
	Fuse (customer supplied)	2 A slow-blow (see wiring diagrams)			
Current measurement inputs	Inputs	Form 9S, 29S and 36S: Ia, Ib, Ic			Form 35S: Ia, Ic
	Recommended wire gauge	5.26 mm ² (10 AWG)			
	Starting current, class 2/10/20	0.001 A rms			
	Overrange	to 24 A rms			
	Rated inputs	ANSI C12.20 combined current classes 2, 10 and 20 IEC 62053-22, combined 1 A and 5 A nominal, I _{max} = 20 A rms			
	Overload	500 A rms for 1s			
	Dielectric withstand type test	2500 V rms, 60 Hz for 1 minute			
	Max voltage	600 V rms			
	Rated impulse voltage	6 kV			
	Measurement / Installation Category	CAT III			
Burden, class 2/10/20	0.05 VA per phase at 5 A (2 mΩ max)				
Ground	Use 2.08 mm ² (14 AWG) wire				
	Ground lug torque: 1.6 to 1.9 N·m (14 to 17 in-lbs)				

Power supply, standard (blade-powered)

Type	3-phase (powered from voltage sensing inputs)
Rated inputs	Form 9S, 29S and 36S: 69 to 277 V L-N rms (120 to 480 V L-L rms), 42 to 69 Hz Form 35S: 120 to 480 V L-L rms, 42 to 69 Hz
Rated impulse voltage	6 kV
Burden	Typical: 3 W, 8 VA/phase, 3-phase operation; Maximum: 4 W, 11 VA/phase, 3-phase operation
Ride-through: min guaranteed	6 cycles at nominal frequency (minimum 50 Hz), at 120 V L-N rms (208 V L-L rms) 3-phase operation

Power supply, auxiliary power - standard voltage

Type	1-phase supply, powered through external cable with grounded NEMA 5-15 power plug
Rated inputs	AC: 65 to 120 V L-N rms, 42 to 69 Hz DC: 80 to 170 V DC
Rated impulse voltage	6 kV
Burden	Typical: 7 W, 14 VA; Maximum: 11 W, 18 VA
Ride-through: min guaranteed	6 cycles at nominal frequency (minimum 50 Hz), at 65 V L-N minimum voltage

Power supply, auxiliary power - high voltage

Type	1-Phase supply, powered through external cable with Grounded NEMA Power Plug
Rated inputs	AC: 160 to 277 V L-N rms DC: 200 to 390 VDC
Rated impulse voltage	6 kV
Burden	Typical: 8 W, 14 VA; Maximum: 11 W, 19 VA
Ride-through: min guaranteed	6 cycles at nominal frequency (minimum 50 Hz), at 160 V L-N minimum voltage

Onboard I/O

Digital outputs	Type	4 Form C solid state outputs (I/O option B & C) 1 Form A solid state output (I/O option C only)
	Wire	1.3 to 0.13 mm ² (16 to 26 AWG)
	Max load voltage	130 V AC / 200 V DC
	Max load current	100 mA
	ON Resistance	30 Ω typical, 50 Ω maximum
	OFF Resistance	400 MΩ minimum
	Isolation	2000 V rms, 60 Hz for 1 minute (to ground). 1000 V rms, 60 Hz for 1 minute (between outputs)
	Rated impulse voltage	2500 V peak (to ground) 1500 V peak (between inputs or outputs) (CAT II)
	Update Rate	20 ms (accuracy = +/- 7 ms), not including communication lag time. State changes occur within 20 ms. 1/2 cycle for internal I/O
	Signal Type	Continuous or pulse
	Fusing	Protect with 100 mA slow-blow fuse (such as Littlefuse 201 Series 100 mA fuse)
	Max output transition	50 per second
	Min Pulse Width	1 ms
	Timing resolution	1/2 cycle or 1 s
Transient suppression device for digital outputs	Install according to diagrams in the section, "Digital outputs" on page 32. The customer-supplied transient suppression device must meet these specifications: Polarization = Bidirectional. Breakdown voltage = 300 V maximum. Peak power dissipation = 10 kw for 10 microseconds (minimum), and 1.5 kW for 1 millisecond (minimum).	
State change latency	20 ms (Digital output) 40 ms (Digital input modules)	
Control schemes	Use intermediate mechanisms so relay control can be disabled for servicing.	
Digital inputs	Type	3 Form A inputs (I/O option B) 1 Form A inputs (I/O option C) Self-excited, dry contact sensing, no external voltage required. (For external excitation, operation range is 24 to 130 VDC.)
	Wire	Use wiring appropriate for the application
	Max load voltage	30 VDC internal (supplied), or 130 VDC external
	Max load current	100 mA
	Isolation	2000 V rms, 60 Hz for 1 minute (to ground). 1000 V rms, 60 Hz for 1 minute (between inputs)
	Rated impulse voltage	2500 V peak (to ground) 1500 V peak (between inputs or outputs) (CAT II)
	Min pulse width	20 ms
	Max input transition rate	50 per second
	Scan time	20 ms
	Timing resolution	1 ms, with 2 ms accuracy
	Inputs	ON for external resistance of 2 kΩ resistance or less. OFF for external resistance of 4 MΩ resistance or greater

Communications

RS-232/RS485	DB9 cable (breakout cable) or DB9 connector (breakout panel)
RS-485	Shielded twisted pair wire (breakout cable) or spring-loaded captured wire connector (breakout panel)
Analog modem	56k universal modem FCC part 68 RJ11 telephone cord (breakout cable) or RJ11 telephone jack (breakout panel)
Cellular modem	CDMA2000 1xRTT EV-DO Rev A (backwards compatible to EV-DO Rev. 0 and CDMA 1x networks) Dual-band 800/1900 MHz
Infrared optical port	ANSI Type II optical port
RS-485	Shielded twisted pair wire (breakout cable) or spring-loaded captured wire connector (breakout panel)
Ethernet	100BASE-T Category 3 UTP (min) 100BASE-FX multi-mode with male ST connectors (fiber option) RJ45 Ethernet cable (breakout cable) or RJ45 Ethernet jack (breakout panel)
IRIG-B	Nom Voltage = 5 VDC +/- 10%. Max Voltage = 8 VDC 0.33mm ² (22 AWG) twisted pair wire (breakout cable) or spring-loaded captured wire connector (breakout panel)

Appendix A Additional setup options

Meter security

Disabling/enabling security using the front panel

Disable security

1. Select the "Security" setup menu screen. Select "Disable Security".
2. Enter the meter password when prompted. Select "Proceed". Select "Yes" to confirm.
3. Select "Return" twice to go back to the normal screen.

Enable security

To enable meter security, you must first modify the meter password:

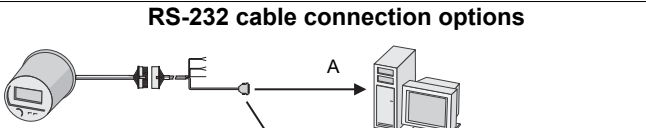
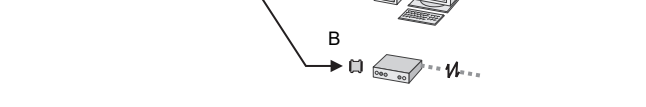
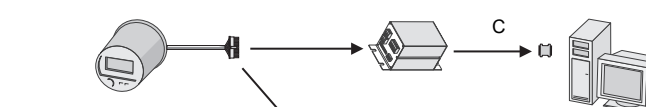
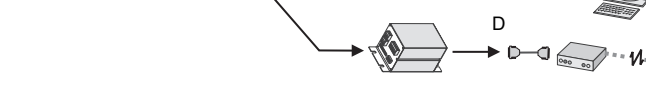
1. Select the "Modify Passwd" setup menu screen. Use the up or down navigation button to change the password. Press the round button to set. Select "Yes" to confirm.
2. Select the "Disable Security" setup menu screen.
3. Enter the new password. Select "Proceed" to set. Select "Yes" to confirm.
4. Select "Return" twice to go back to the normal screen.

 **NOTE**

This feature is only available in basic security. If you attempt to use this feature when advanced security is enabled, the NOT AVAILABLE message is displayed.

RS-232 connections

Use the appropriate diagram below to connect your meter's RS-232 communications.

RS-232 cable connection options	
	<p>A Direct to computer Plug the meter's 24-pin Molex connector to the communications breakout cable. From the breakout cable, plug the DB9 connector to the computer's serial port. If required, use a straight-through modem cable to extend the cable length.</p>
	<p>B Direct to external modem Plug the meter's 24-pin Molex connector to the communications breakout cable. From the breakout cable, plug the DB9 connector to a null modem cable. Plug the other end of this cable to the external modem.</p>
	<p>C I/O Expander to computer Plug the meter's 24-pin Molex connector to I/O Expander. Use a null modem cable to connect the I/O Expander's DB9 connector to the computer's serial port.</p>
	<p>D I/O Expander to external modem Plug the meter's 24-pin Molex connector to I/O Expander. Use a straight-through modem cable to connect the I/O Expander's DB9 connector to the external modem.</p>

Disabling/enabling COM ports using the front panel

From a security standpoint, it is recommended that you disable any COM ports that you are not using.

1. Press and hold the **ALT/ENTER** button for a few seconds. The SETUP menu appears.
2. Use the navigation buttons to highlight the COM port that you want to configure (COM1 through COM4) and press **ALT/ENTER** to select.
3. Use the navigation buttons to highlight the Protocol setting and press **ALT/ENTER** to select.
4. Select None from the list of available protocols.
5. Select YES to confirm the change.

Disabling/enabling Ethernet ports using the front panel

From a security standpoint, it is recommended that you disable any Ethernet ports that you are not using.

1. Press and hold the **ALT/ENTER** button for a few seconds. The SETUP menu appears.
2. Use the up or down arrow buttons to select NETWORK SETUP and press **ALT/ENTER**.
3. Scroll to PORT ENABLE and press **ALT/ENTER**.
4. Select the port you want to change and press **ALT/ENTER**. Select Yes to enable the port and No to disable.
5. Select YES to confirm the change. Enter the meter password if prompted.

Switching the active communications ports for ION8650C (Feature Set C)

The ION8650C meter supports concurrent communications on the optical port and a maximum of two other communications ports. If you ordered the Ethernet and/or internal modem option with this meter, you must first disable one of the active communications port before you can enable another in its place (for example, the COM1 serial port).

NOTE

Switching the active communications port requires a meter reboot before the changes can take effect.

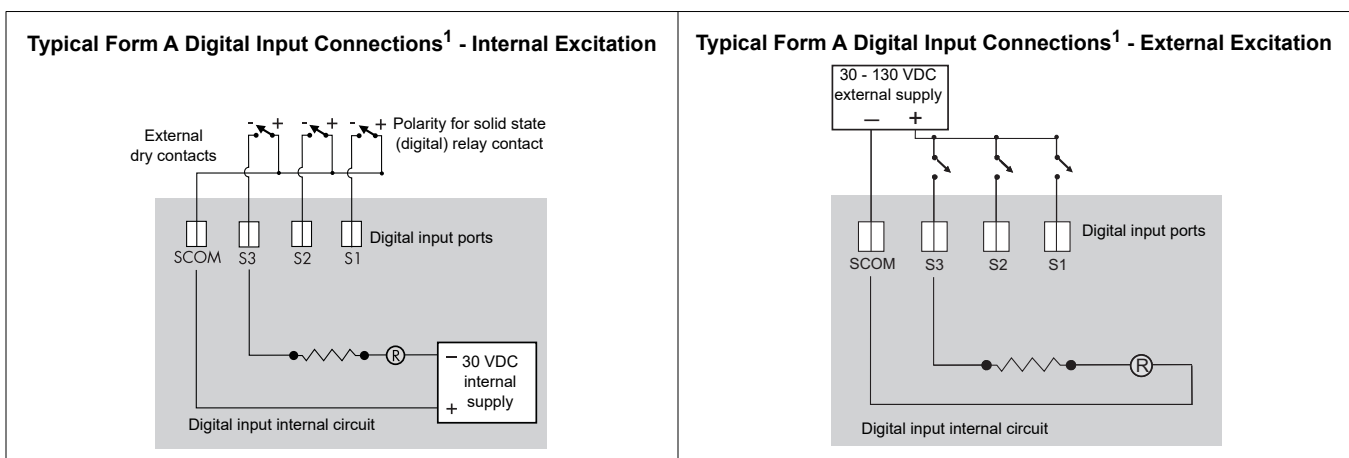
1. Use the front panel to select ENABLED COM PORTS setup menu screen. Select CONTINUE.
2. Select the active communications port you want to disable (e.g., Ethernet). Select DISABLED. Enter the meter password when prompted, then select YES to confirm the change.
3. Select the communications port you want to enable (e.g., COM1). Select ENABLED. Select YES to confirm the change.
4. Select REBOOT. Select YES when prompted. Enter the meter password when prompted.

Onboard I/O (input/output) option

For detailed I/O specifications refer to the table, "Onboard I/O" on page 28.

Digital inputs

Refer to the example part number in "Optional onboard I/O wiring" on page 21 to determine how many digital inputs your meter has. The Form A digitals input are factory set to self-excited (using its internal power supply).



¹ These diagrams depict Onboard I/O option B.

Setting up the digital input for external excitation

Follow the directions below to change the digital inputs' setting to use an external power supply.

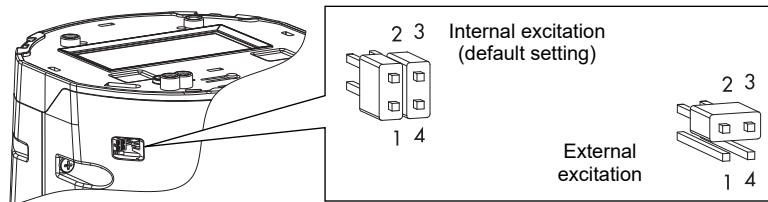
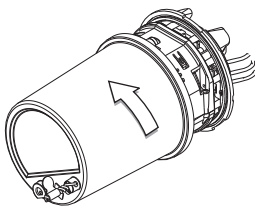
⚠ DANGER

HAZARD OF ELECTRIC SHOCK, EXPLOSION OR ARC FLASH

- Apply appropriate personal protective equipment (PPE) and follow safe electrical work practices. See NFPA 70E in the USA, CSA Z462 or applicable local standards.
- This equipment must only be installed and serviced by qualified electrical personnel.
- Turn off all power supplying this device and the equipment in which it is installed before working on the device or equipment.
- Always use a properly rated voltage sensing device to confirm that all power is off.
- Components inside the meter are extremely sensitive to electrostatic discharge. Use anti-static precautions when working inside the unit.

Failure to follow these instructions will result in death or serious injury.

1. Disconnect and lock out power. Use a properly rated voltage sensing device to confirm power is off.
2. Remove any anti-tamper sealing devices located at the meter's base.
3. Rotate plastic cover ¼ turn counter-clockwise and pull cover off.
The excitation pins and jumpers are in a recessed cavity on the bottom left of the meter.



4. Remove both jumpers and place one jumper on pins 2 and 3 of the four-pin header. Keep the second jumper for future use.
5. Replace the plastic cover and any anti-tamper sealing.

Onboard digital input internal excitation is now disabled; an external supply can be used for external contacts. See the specifications table, "Onboard I/O" on page 28 for details.

Digital outputs

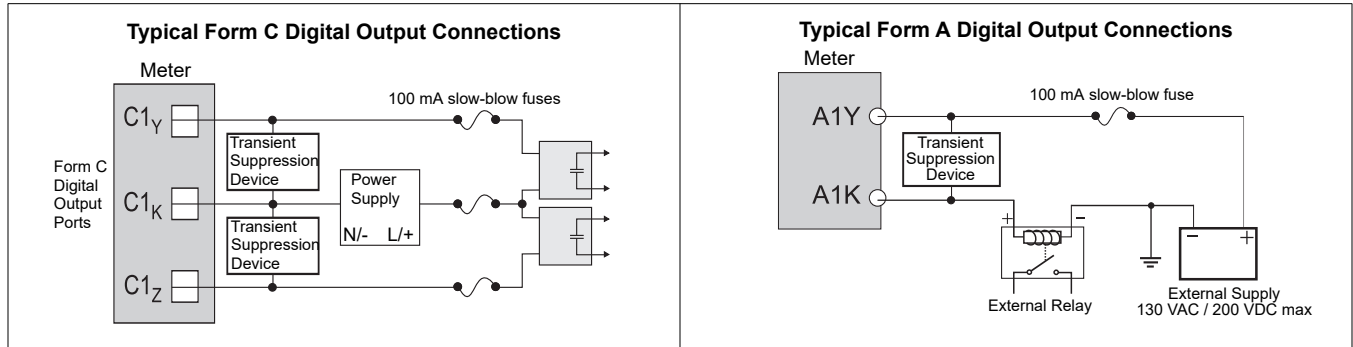
⚠ WARNING

HAZARD OF UNINTENDED OPERATION

Do not use this device for critical control or protection applications where human or equipment safety relies on the operation of the control circuit.

Failure to follow these instructions can result in death or serious injury.

Refer to the example part number in “Optional onboard I/O wiring” on page 21 to determine what digital outputs your meter has.



Información de seguridad

Información importante

Lea estas instrucciones atentamente y examine el equipo para familiarizarse con el dispositivo antes de instalarlo, manipularlo, revisarlo o realizar el mantenimiento de este. Los siguientes mensajes especiales pueden aparecer a lo largo de este documento o en el equipo para advertir de posibles riesgos o remitirle a otras informaciones que le ayudarán a aclarar o simplificar los procedimientos.



La adición de uno de estos dos símbolos a una etiqueta de seguridad del tipo “Peligro” o “Advertencia” indica que existe un riesgo de descarga eléctrica que causará lesiones si no se siguen las instrucciones.

Este es el símbolo de alerta de seguridad. Sirve para alertar de posibles riesgos de lesiones. Siga las recomendaciones de todos los mensajes de seguridad precedidos por este símbolo para evitar posibles lesiones e incluso la muerte.

PELIGRO

PELIGRO indica una situación de riesgo inminente que, si no se evita, **causará** la muerte o lesiones graves.

ADVERTENCIA

ADVERTENCIA indica una situación de riesgo potencial que, si no se evita, **puede causar** a muerte o lesiones graves.

PRECAUCIÓN

PRECAUCIÓN indica una situación de riesgo potencial que, si no se evita, **puede causar** lesiones moderadas o leves.

AVISO

AVISO se usa para indicar prácticas no relacionadas con lesiones físicas.

Por favor, tenga en cuenta lo siguiente

Sólo el personal cualificado puede instalar, manipular y revisar el equipo electrónico así como realizar el mantenimiento de este. Schneider Electric no asume ninguna responsabilidad de las consecuencias que se deriven de la utilización de este manual.

Una persona cualificada es alguien con la capacidad y los conocimientos relativos a la construcción, instalación y operación del equipo eléctrico con la formación de seguridad necesaria para reconocer y evitar los riesgos implícitos.

Avisos

Información legal

La marca Schneider Electric y cualquier marca comercial registrada de Schneider Electric Industries SAS citada en esta guía son propiedad exclusiva de Schneider Electric SA y sus filiales. No se pueden usar sin el permiso por escrito del propietario. Esta guía y su contenido están protegidos, en el sentido del código de la propiedad intelectual francés (Code de la propriété intellectuelle français, denominado en lo sucesivo "el Código"), bajo las leyes de derechos de autor que abarcan textos, ilustraciones y modelos, así como por la legislación de marcas. Usted se compromete a no reproducir, salvo para su propio uso personal, no comercial, tal como se define en el Código, la totalidad o parte de esta guía en ningún soporte sin el permiso de Schneider Electric, por escrito. También se compromete a no establecer ningún vínculo de hipertexto en esta guía o su contenido. Schneider Electric no otorga ningún derecho o licencia para el uso personal y no comercial de la guía o de su contenido, salvo para una licencia no exclusiva para consultarla "tal cual", bajo su propia responsabilidad. Todos los demás derechos están reservados.

Sólo el personal cualificado puede instalar, manipular y revisar el equipo electrónico así como realizar el mantenimiento de este. Schneider Electric no asume ninguna responsabilidad por cualquier consecuencia derivada del uso de este material.

Dado que las normas, especificaciones y diseños cambian de vez en cuando, solicite la confirmación de la información dada en esta publicación.

Aviso de la FCC sección 15

Este equipo ha sido probado y cumple con los límites establecidos para los dispositivos digitales Clase B, según la sección 15 de la normativa de la FCC (Comisión Federal de Comunicaciones de los EE. UU.). Estos límites se establecen para proporcionar la protección adecuada contra interferencias que puedan dañar el equipo cuando este se utiliza en un entorno residencial. Este equipo genera, utiliza y puede emitir energía de radiofrecuencia y, si no se instala y utiliza siguiendo las indicaciones del manual de instrucciones, puede provocar interferencias que afecten a las radiocomunicaciones. No obstante, no hay garantía de que no se produzcan interferencias en una instalación en concreto. Si este equipo causa interferencias en la recepción de señales de radio y televisión, lo cual se puede determinar apagándolo y encendiéndolo, se recomienda al usuario que intente corregir las interferencias con las siguientes medidas:

- ◆ Reoriente o reubique la antena receptora.
- ◆ Aumente la separación entre el equipo y el receptor.
- ◆ Conecte el equipo a una toma de un circuito diferente al que está conectado el receptor.
- ◆ Consulte con el distribuidor o con un técnico experimentado de radio/televisión para obtener más ayuda.

Se advierte al usuario que los cambios o modificaciones que no estén aprobados expresamente por Schneider Electric podrían revocar la autorización del usuario para operar el equipo.

CAN ICES-3(B) /NMB-3(B)

Aviso de la FCC sección 68

Este equipo cumple con la Sección 68 de la normativa de la FCC (Comisión Federal de Comunicaciones de los EE.UU.) y los requisitos adoptados por el Consejo Administrativo de Accesorios Terminales (Administrative Council for Terminal Attachments, ACTA). En el lateral de este equipo se encuentra una etiqueta que contiene, entre otra información, el identificador del producto en el formato usado en los EE.UU.: AAAEQ##TXXXX. Debe proporcionar este número a la compañía telefónica si se le solicita.

Este equipo usa jacks con los siguientes códigos de pedido de servicio universal (Universal Service Order Codes, "USOC"): RJ11.

La toma y el jack usados para conectar este equipo al cableado de las instalaciones y a la red telefónica deben cumplir con la sección 68 de la normativa de la FCC y los requisitos adoptados por la ACTA vigentes. Este producto incluye un cable telefónico y una toma modular o jack modular conformes a la normativa.

El REN se usa para determinar cuántos dispositivos se pueden conectar a la línea telefónica. Un exceso de REN en la línea telefónica puede dar como resultado que los dispositivos no suenen cuando entre una llamada. En la mayoría de zonas, aunque no en todas, el total de REN no debe ser superior a cinco (5,0). Póngase en contacto con la compañía telefónica local para saber con seguridad cuántos dispositivos se pueden conectar a una línea determinados por el total de REN. El REN de este producto forma parte del identificador del producto en el formato usado en los EE.UU.: AAAEQ##TXXXX. Los dígitos representados por ## son el REN sin el decimal (p. ej., 03 es un ren de 0,3).

Si este equipo, el Medidor de potencia digital con módem interno, daña la red telefónica, la compañía telefónica le avisará previamente que se podría interrumpir temporalmente el servicio. Si no puede avisarle previamente, la compañía telefónica le notificará en cuanto sea posible. También le informará de su derecho a abrir una reclamación con la FCC si usted lo creyera necesario.

La compañía telefónica podría realizar cambios en sus instalaciones, equipo, operaciones o procedimientos que podrían afectar el funcionamiento de este equipo. En ese caso, la compañía telefónica le avisará previamente para que usted pueda realizar las modificaciones necesarias para mantener el servicio ininterrumpido.

Si tiene problemas con este equipo, el Medidor de potencia digital con módem interno, póngase en contacto con Schneider Electric en el 615-287-3400. Si este equipo provoca daños en la red telefónica, es posible que la compañía telefónica le solicite que lo desconecte hasta que se haya resuelto el problema.

Este equipo no contiene piezas reparables por el usuario.

La conexión al servicio de conferencia está sujeta a las tarifas estatales. Póngase en contacto con la comisión estatal de utilidades públicas, la comisión de servicios públicos o la comisión corporativa para obtener más información.

Si tiene equipos de alarma por cable especiales conectados a la línea telefónica en sus instalaciones, asegúrese de que la instalación de este Medidor de potencia digital con módem interno no desactive el equipo de alarma. Si tiene dudas sobre qué podría desactivar el equipo de alarma, consulte con su compañía telefónica o con un instalador cualificado.

Aviso de compatibilidad de red del módem interno

El módem interno de medidores equipados con esta opción es compatible con los sistemas telefónicos de la mayoría de los países del mundo, exceptuando Australia y Nueva Zelanda. El uso en algunos países puede exigir la modificación de las cadenas de inicialización del módem interno. Si surge algún problema relativo al uso del módem en la línea telefónica, póngase en contacto con la Asistencia Técnica de Schneider Electric

Cumplimiento de la normativa de calibración

Schneider Electric certifica que este producto cumple las especificaciones publicadas y que se ha calibrado y probado mediante equipos y estándares que concuerdan con el National Institute of Standards and Technology (NIST, Instituto nacional de normalización y tecnología) de EE. UU. o el National Research Council of Canada (NRC, Consejo nacional de investigación de Canadá). Si desea obtener más detalles, consulte el certificado de calibración del producto.

Cumplimiento de normas

EAC



N998

Fabricado por Schneider Electric SE

Descripción general

El avanzado medidor de energía y consumo eléctrico PowerLogic™ ION8650 ofrece funciones de registro exhaustivas, mediciones de calidad de energía avanzadas, comunicaciones multiprotocolo y multipuerto, incluida la compatibilidad con IRIG-B, y capacidades opcionales de entradas/salidas (E/S) incorporadas y remotas.

Este documento resume los pasos necesarios para instalar la versión de soporte del medidor ION8650.

Observaciones sobre mediciones de alta precisión

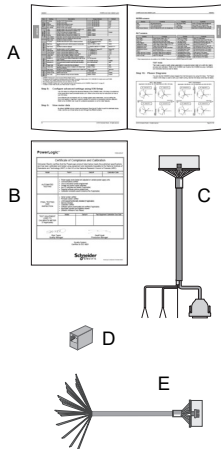
En situaciones en las que la magnitud y la calidad de las fuentes de entrada de tensión son insuficientes, como en instalaciones con TT de bajo valor nominal en VA o largos tendidos de conductores, quizá convenga utilizar un medidor ION8650. con alimentación auxiliar.

Información adicional

Si desea más información sobre el medidor ION8650, descargas de documentación y herramientas de software, visite el sitio web www.se.com. La documentación técnica disponible figura a continuación:

- ◆ *Manual de instalación del medidor de tablero de distribución de energía y calidad de energía ION8650*: Contiene las instrucciones de cableado e instalación de la versión de tablero de distribución del medidor ION8650.
- ◆ Nota técnica *Verificación de la precisión del medidor ION8650*: Detalla los requisitos y procedimientos necesarios para validar la precisión del medidor.
- ◆ *ION8650 user guide* (Manual del usuario del medidor ION8650): Detalla información sobre el manejo del medidor, actualizaciones del firmware de este, compatibilidad de software, comunicaciones, entradas y salidas, registros, tiempos de uso, notificaciones de alarmas y otras funciones avanzadas.
- ◆ Módem celular ION8650: Detalla información sobre las especificaciones, configuración y activación del módem celular.
- ◆ *I/O Expander installation guide* (Manual de instalación del módulo de expansión de E/S de PowerLogic®): Describe el dispositivo opcional de E/S externas que se puede conectar al ION8650 para disponer de E/S digitales adicionales y puertos de salidas analógicas.
- ◆ Documentos de opciones del producto: aportan información específica de cada opción sobre las distintas opciones de producto que puede solicitar para la central de medida. Normalmente se suministran con el producto.
- ◆ Notas técnicas: aportan instrucciones de uso de las funciones de la central de medida y de creación de configuraciones personalizadas.
- ◆ Ayuda en línea de ION Setup: Describe la manera de utilizar el software de configuración de medidores ION Setup.
- ◆ *ION Reference*: Explica la arquitectura ION y describe el funcionamiento y comportamiento de los diferentes módulos ION disponibles en los productos de hardware y software de ION.

Antes de empezar



1. Familiarícese con el contenido de este manual, sobre todo con las secciones "Precauciones de seguridad" en la página 41 y "Especificaciones" en la página 61.
2. Desembale con cuidado el medidor. El medidor de soporte se entrega con los siguientes elementos:

A	Este manual de instalación	B	Certificado de calibración del medidor
C	Cable de conexiones COM: conector de Molex hembra de 24 pines a DB9 hembra (RS-232), dos juegos de cables de par trenzado (RS-485)		
D	Acoplador opcional Ethernet CAT5 de hembra a hembra (solo si encargó la opción de comunicaciones Ethernet)		
E	Cable opcional de conexiones de E/S: de Molex hembra de 16 pines a 16 cables desnudos para la conexión a dispositivos de E/S (solo si encargó la opción de E/S incorporadas)		

3. Compruebe que el número de referencia de la etiqueta de la placa de datos delantera coincide con el número de referencia de la orden de compra o del recibo (consulte la sección "Etiqueta del panel frontal" en la página 43).
4. Verifique que la base del soporte se ha cableado correctamente, de acuerdo con la documentación del fabricante y con la normativa nacional o local en materia de electricidad, y es compatible con el factor de forma del medidor (consulte la sección "Etiqueta del panel frontal" en la página 43) así como con los tipos de servicio eléctrico admitidos (consulte la sección "Paso 1: Instalación y cableado de la base del soporte" en la página 45)
5. Asegúrese de que dispone de todos los equipos y periféricos adecuados para la instalación, por ejemplo un convertidor de Ethernet o de RS-232 a RS-485, una sonda óptica, precinto de consumo eléctrico, etc.

Herramientas recomendadas

- ◆ Destornillador dinamométrico con puntas Phillips n.º 2 y de tuerca
- ◆ Destornillador de boca plana de precisión
- ◆ Cortacables, pelacables y alicata crimpador
- ◆ Alicates pequeños de punta fina
- ◆ Software de configuración de medidores ION Setup (descargue e instale la versión más reciente del sitio web)

Precauciones de seguridad

La instalación, el cableado, la comprobación y la puesta en servicio deben llevarse a cabo de acuerdo con todos los reglamentos locales y nacionales en materia de electricidad.

PELIGRO

RIESGO DE DESCARGA ELÉCTRICA, EXPLOSIÓN O DESTELLO DE ARCO

- Utilice un equipo de protección individual (EPI) adecuado y siga las prácticas de seguridad para trabajos eléctricos. Consulte las normas NFPA 70E y CSA Z462 u otras normas locales aplicables.
- Apague todas las fuentes de alimentación del dispositivo y del equipo en el que está instalado antes de realizar cualquier trabajo en el equipo.
- Utilice siempre un voltímetro de rango adecuado para confirmar que el equipo está apagado por completo.
- No supere los valores nominales máximos de este dispositivo.
- No utilice este dispositivo para funciones de control críticas o para la protección de personas, animales, bienes materiales o equipos.
- No cortocircuite los terminales secundarios del transformador de tensión (TT).
- No abra los terminales secundarios del transformador de intensidad (TI).
- Conecte a tierra el circuito secundario de los TI.
- Suponga que los cableados de comunicaciones y E/S contienen tensiones peligrosas hasta que se determine lo contrario.
- No realice pruebas dieléctricas (de rigidez) ni pruebas de megóhmetro en este dispositivo.
- Conecte el terminal de tierra de protección antes de encender cualquier fuente de alimentación del dispositivo.
- Vuelva a colocar todos los dispositivos, las puertas y las cubiertas antes de encender el equipo.

El incumplimiento de estas instrucciones ocasionará la muerte o lesiones graves.

NOTA

No realice pruebas dieléctricas (de rigidez) ni pruebas de megóhmetro en el medidor ION8650, porque su circuito interno de protección contra sobretensiones comienza a funcionar con valores inferiores a las tensiones habituales de las pruebas de rigidez. Para obtener más información sobre las especificaciones del dispositivo y las pruebas realizadas en fábrica, póngase en contacto con el distribuidor local de Schneider Electric.

Modelos disponibles

Existen tres modelos disponibles del medidor ION8650:

Modelo ¹	Memoria	Grabadores de datos	Descripción
ION8650A	128 MB	50 (800 canales)	Medidor de análisis de la calidad de energía de clase A con detección de transitorios de 1024 muestras/ciclo, flicker, compatibilidad con forma de onda de calidad de energía, interarmónicos, control por Modbus
ION8650B	64 MB	45 (720 canales)	Medidor conforme a Clase S con supervisión de calidad de energía según EN50160 y control por Modbus
ION8650C	32 MB	5 (80 canales)	Medidor básico de tarifas y energía

¹ Visite el sitio web www.se.com para obtener más información sobre los modelos disponibles.

Opciones del medidor

El número de modelo (mostrado en la sección “Etiqueta del panel frontal” en la página 43) indica las opciones del medidor

Opción	Código	Descripción
Fuente de alimentación¹ M 8 6 5 0 A 0 C 0 H 6 C 1 B 0 A	E	Fuente de alimentación trifásica (alimentación por palas) ²
	H	Fuente de alimentación auxiliar (estándar)
	J	Fuente de alimentación auxiliar (alta tensión)
Comunicaciones³ M 8 6 5 0 A 0 C 0 H 6 C 7 A 0 A	A0	Puerto óptico del panel frontal, RS-232/RS-485, RS-485
	C7	Puerto óptico por infrarrojos del panel frontal, RS-232/RS-485, RS-485, Ethernet ⁴ , módem interno.
	E1	Puerto óptico por infrarrojos del panel frontal, RS-232/RS-485, RS-485, Ethernet ⁴
	F1	Puerto óptico por infrarrojos del panel frontal, RS-232/RS-485, RS-485, Ethernet (multimodo 100BASE-FX con conectores ST)
	M1	Puerto óptico por infrarrojos del panel frontal, RS-232/RS-485, RS-485, módem interno
	S0	Puerto óptico por infrarrojos del panel frontal, RS-232/RS-485, RS-485, Ethernet ⁴ , módem celular CDMA ⁵
	S1	Puerto óptico por infrarrojos del panel frontal, RS-232/RS-485, RS-485, Ethernet ⁴ , módem celular LTE ⁵
E/S digitales incorporadas⁶ M 8 6 5 0 A 0 C 0 H 6 C 1 B 0 A	A	Sin E/S digitales
	B	4 salidas digitales de estado sólido de forma C, 3 entradas digitales de forma A
	C	4 salidas digitales de estado sólido de forma C, 1 salida digital de estado sólido de forma A, 1 entrada digital de forma A
	D	Notificación de corte de Ethernet

¹ Para obtener recomendaciones a la hora de seleccionar una opción de fuente de alimentación, consulte la sección “Observaciones sobre mediciones de alta precisión” en la página 39.

² La fuente de alimentación trifásica estándar se alimenta de las conexiones de tensión del medidor. Asegúrese de que el sistema satisface las especificaciones de tensión en estado estable del medidor.

³ El medidor ION8650C puede comunicarse simultáneamente a través de un máximo de tres puertos (el puerto óptico por infrarrojos más otros dos puertos de comunicaciones). Los medidores ION8650A e ION8650B pueden comunicarse simultáneamente a través de todos los puertos de comunicaciones.

⁴ Algunas funciones requieren comunicaciones Ethernet. Consulte la sección “Opción Ethernet” en la página 51 para obtener una lista de servicios

⁵ La opción de módem celular sólo está disponible en el medidor de soporte.

⁶ Hay opciones de entradas y salidas adicionales disponibles a través de un módulo de expansión E/S comprado por separado. La E/S digital incorporada no está disponible en el ION8650 con opción de fibra.



NOTA

La opción de fibra para comunicación requiere la versión de firmware 404 (v404) y la plantilla de fábrica v4.1.0.0.1 o superior.

Etiqueta del panel frontal

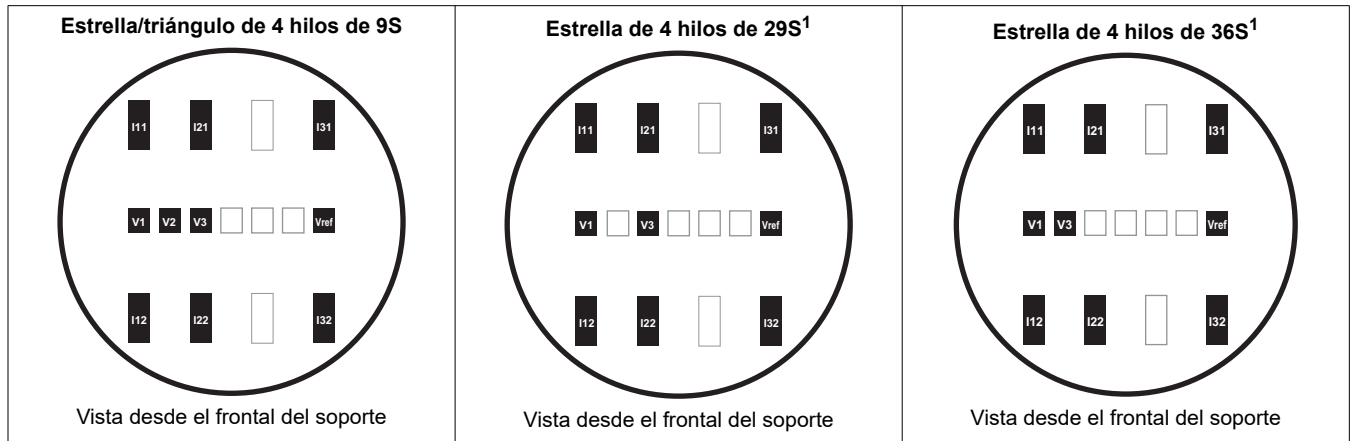
A	Amperaje de prueba		I	Relación de transformador de tensión (VTR)
B	Precisión de clase		J	Relación de transformador de intensidad (CTR)
C	Constante de prueba (frecuencia de impulsos del LED)		K	Constante de vatios-hora primaria
D	Frecuencia		L	Factor de transformador (VTR x CTR)
E	Rango de intensidad		M	Diagrama interno del medidor (vista desde el frontal del medidor)
F	Factor de forma		N	Código de barras ANSI
G	Valor nominal de entrada de tensión		O	Número de modelo
H	Configuración del cableado		P	Número de serie

Descripción general del panel frontal

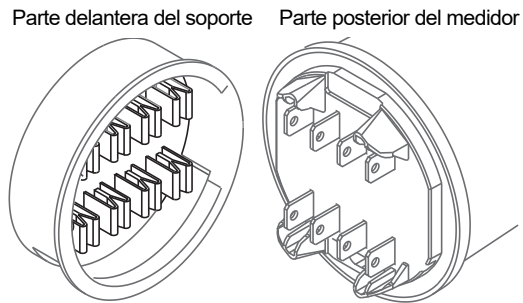
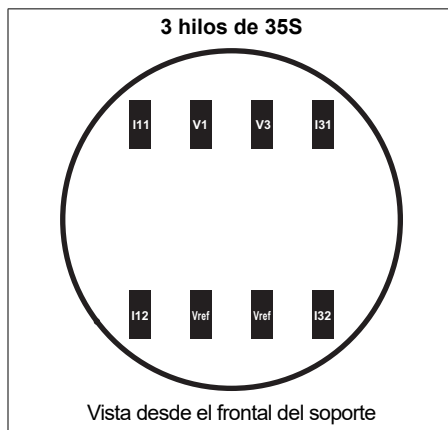
<p>Frontal del medidor con la cubierta quitada</p>	A	Generador de impulsos de vatios: Conjunto de LED (infrarrojo, rojo) que sirven para los impulsos de energía activa.
	B	Generador de impulsos de VAR: Conjunto de LED (infrarrojo, rojo) que sirven para los impulsos de energía reactiva.
	C	Interruptor de restablecimiento de demanda: Restablece los valores de demanda punta registrados en el medidor. Se puede activar con la cubierta puesta o quitada.
	D	Botón redondo (ALT/ENTER): Sirve para seleccionar una opción resaltada. También sirve para alternar entre los modos de visualización NORM y ALT. Si se mantiene pulsado, se accederá al menú "Setup" (Configuración).
	E	Botones de navegación: Los botones de flecha arriba y flecha abajo sirven para desplazarse por elementos de menú diferentes y para resaltarlos, o para incrementar o reducir el valor de un número resaltado. Si se mantiene pulsado el botón de flecha arriba, el cursor se desplazará a la izquierda. Si se mantiene pulsado el botón de flecha abajo, el cursor lo hará a la derecha.
	F	Puerto óptico por infrarrojos
	G	Botón de restablecimiento maestro: Se encuentra en un botón empotrado bajo la etiqueta delantera para evitar su activación accidental. Debe retirar la cubierta y la etiqueta del medidor para acceder a él.
	H	Botón de modo Test: Se encuentra debajo de la cubierta frontal y pone el medidor en modo Test, suspendiéndose así la acumulación de las cantidades facturables.
	I	Pantalla LCD del medidor

Factores de forma del medidor de soporte

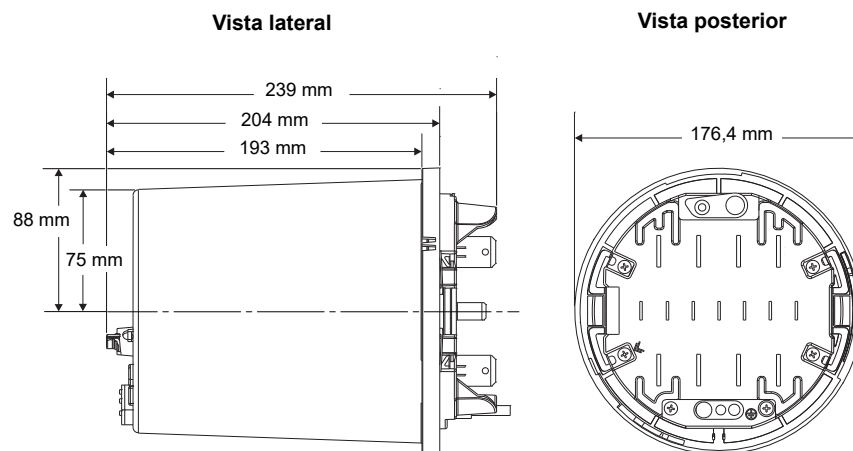
El medidor de soporte está diseñado para que encaje en un soporte de medidor eléctrico de base S. Entre los factores de forma disponibles de los medidores se encuentran 9S (admite bases de soporte 29S y 36S) y 35S.



¹ El medidor de factor de forma 9S funciona como medidor de 29S o medidor de 36S cuando se establece el valor de Volts Mode (Modo de voltios) apropiado. Consulte la sección "Paso 7: Configuración del medidor con el panel frontal" en la página 54.



Dimensiones del medidor de soporte



Instalación

La instalación, el cableado, la comprobación y la puesta en servicio deben llevarse a cabo de acuerdo con todos los reglamentos locales y nacionales en materia de electricidad.

PELIGRO

RIESGO DE DESCARGA ELÉCTRICA, EXPLOSIÓN O DESTELLO DE ARCO

- Utilice un equipo de protección individual (EPI) adecuado y siga las prácticas de seguridad para trabajos eléctricos. Consulte las normas NFPA 70E y CSA Z462 u otras normas locales aplicables.
- Apague todas las fuentes de alimentación del dispositivo y del equipo en el que está instalado antes de realizar cualquier trabajo en el equipo.
- Utilice siempre un voltímetro de rango adecuado para confirmar que el equipo está apagado por completo.
- Nunca conecte una derivación para evitar los fusibles externos. Instale fusibles de rango adecuado en los circuitos de medición de tensión y de alimentación auxiliar.
- No rebase la tensión nominal especificada del dispositivo. Utilice TT (transformadores de tensión) cuando sea necesario.
- Nunca cortocircuite el secundario de un TT.
- Nunca deje abierto el circuito de un TI (transformador de intensidad).
- Utilice un bloque de cortocircuito para establecer un cortocircuito en los conductores del TI antes de desmontar las conexiones del dispositivo.
- Conecte el terminal de tierra de protección antes de encender cualquier fuente de alimentación del dispositivo.
- Las conexiones eléctricas de los terminales del medidor no deben quedar al alcance de los usuarios después de la instalación.
- Vuelva a colocar todos los dispositivos, las puertas y las cubiertas antes de encender el equipo.

El incumplimiento de estas instrucciones ocasionará la muerte o lesiones graves.

Paso 1: Instalación y cableado de la base del soporte

En las instalaciones existentes, verifique que el cableado y todos los elementos necesarios (fusibles, etc.) se encuentran correctamente instalados y en funcionamiento. En las instalaciones nuevas, siga la normativa local y nacional en materia de electricidad y consulte la documentación proporcionada por el fabricante de la base del soporte.

Consideraciones sobre el cableado eléctrico

Instale fusibles de acción retardada de 2 A (que deberá aportar el cliente) en los circuitos de entrada de mediciones de tensión, tal como se ilustra en los diagramas de cableado eléctrico que figuran a continuación. El circuito de la fuente de alimentación auxiliar, si se utiliza, debe contar también con la protección de un fusible. Consulte la sección "Paso 4: Conexión de la fuente de alimentación auxiliar opcional" en la página 50 para obtener más detalles.

Uso de transformadores de tensión

Tensión nominal de sistema en estrella	Requiere PT
120 VCA L-N o 208 VCA L-L	No
277 VCA L-N o 480 VCA L-L	No
347 VCA L-N o 600 VCA L-L	Sí

Tensión nominal de sistema en triángulo	Requiere PT
Hasta 480 VCA L-L	No
Por encima de 480 VCA L-L	Sí

Tensión nominal de sistema en estrella	Requiere PT
Por encima de 347 VCA L-N o 600 VCA L-L	Sí

Tensión nominal de sistema en triángulo	Requiere PT

Los diagramas de más adelante describen las convenciones de cableado habituales correspondientes a los tipos de servicio eléctrico que admiten los diferentes factores de forma del medidor ION8650. Una vez completadas todas las etapas de cableado eléctrico, montaje e instalación, consulte la sección "Paso 10: Uso de los diagramas fasoriales para verificar el cableado" en la página 59 para obtener más detalles sobre el manejo del medidor en los diferentes sistemas y modos de voltios, así como sobre la verificación del correcto cableado de las fases

Forma 9S (de 3 elementos)

Establezca el valor de Volts Mode en el medidor como **9S - 4 Wire Wye/Delta**. El límite de medición de tensión se encuentra entre 57 y 277 VLN.

Forma 9S:
Estrella de 4 hilos, sin TT y con 3 TI

Forma 9S:
Estrella de 4 hilos, con 3 TT y 3 TI

Forma 9S:
Estrella de 3 hilos, con 3 TT y 3 TI

Forma 9S:
Estrella de 3 hilos, con 3 TT y 2 TI

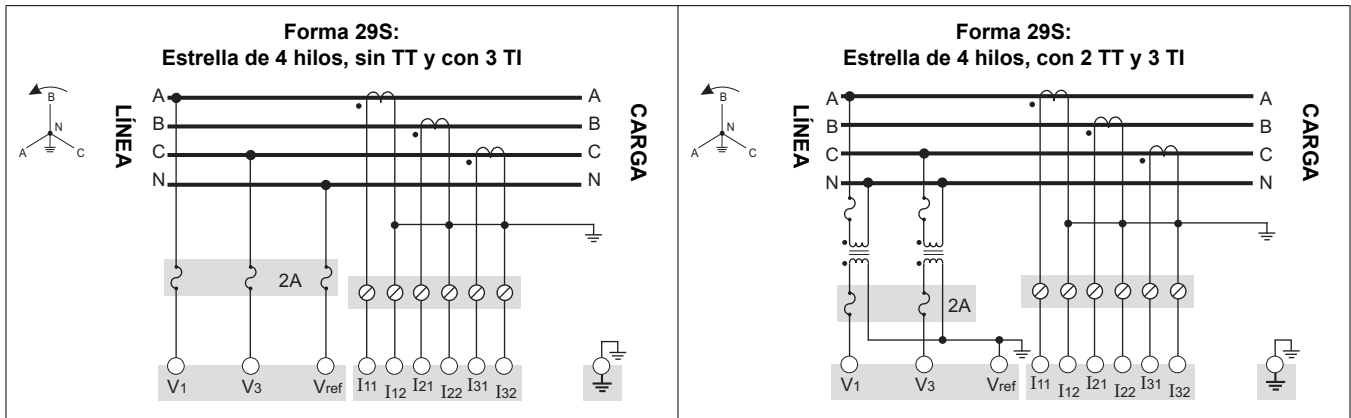
Forma 9S:
Triángulo de 4 hilos, sin TT y con 3 TI (triángulo de extremo alto)

NOTA

Antes de llevar a cabo una instalación utilizando la configuración de cableado "Forma 9S: Triángulo de 4 hilos" (diagrama mostrado a la izquierda), consulte la nota técnica sobre la configuración del triángulo de extremo alto *Red/High Leg Delta* (disponible para su descarga en el sitio web www.se.com).

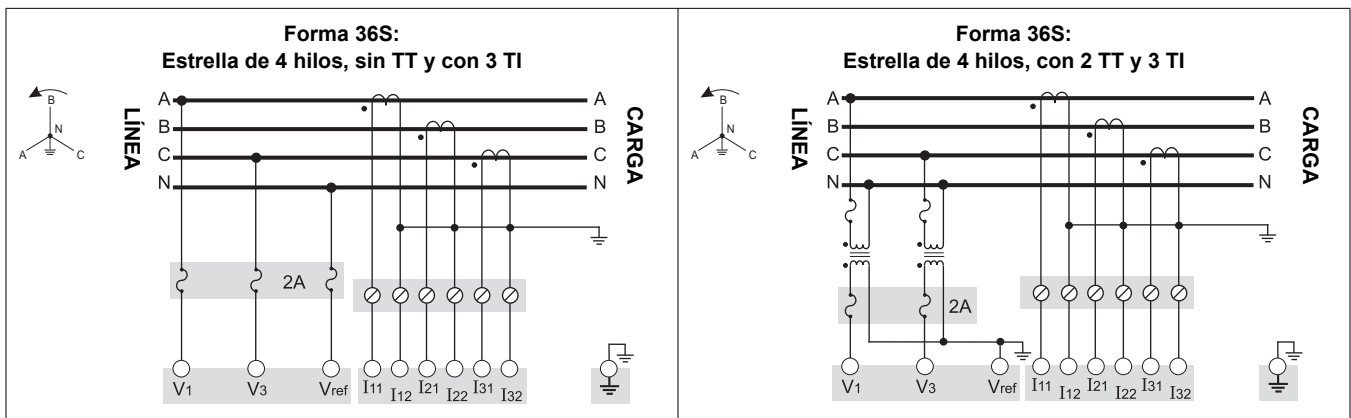
Forma 29S (de 2½ elementos)

Establezca el valor de Volts Mode en el medidor como **29S - 4 Wire Wye**. El límite de medición de tensión se encuentra entre 57 y 277 VLN.



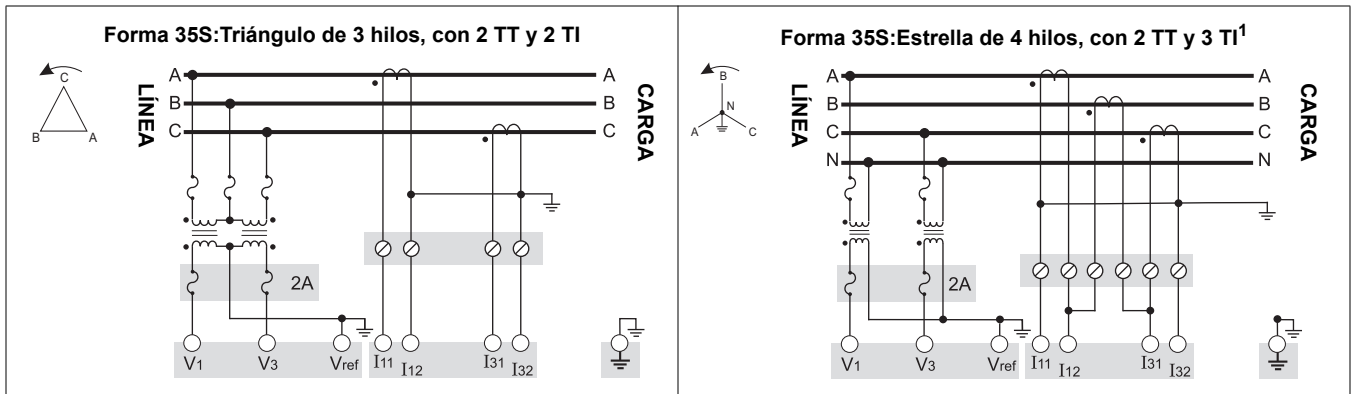
Forma 36S (de 2½ elementos)

Establezca el valor de Volts Mode en el medidor como **36S - 4 Wire Wye**. El límite de medición de tensión se encuentra entre 57 y 277 VLN.



Forma 35S (de 2 elementos)

Establezca el valor de Volts Mode en el medidor como **35S - 3 Wire**. El límite de medición de tensión se encuentra entre 120 y 480 VLL.



¹ Esta configuración puede afectar algunos cálculos de los parámetros del medidor. Póngase en contacto con Technical Support para obtener información más detallada.

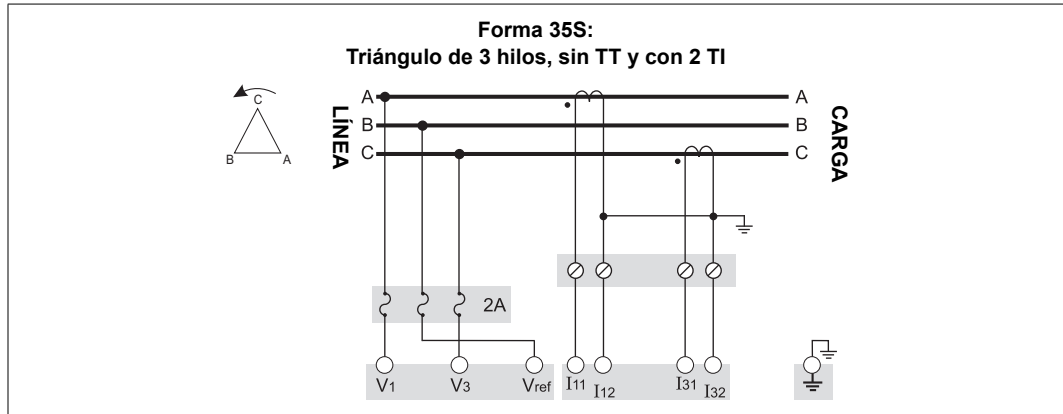
ESPAÑOL

⚠ PELIGRO

RIESGO DE DESCARGA ELÉCTRICA, EXPLOSIÓN O DESTELLO DE ARCO

No conecte la entrada Vref a tierra cuando utilice el diagrama de cableado "Forma 35S: Triángulo de 3 hilos, sin TT y con 2 TI".

El incumplimiento de estas instrucciones ocasionará la muerte o lesiones graves



Paso 2: Preparación de las conexiones a tierra

⚠ PELIGRO

RIESGO DE DESCARGA ELÉCTRICA, EXPLOSIÓN O DESTELLO DE ARCO

- La tierra del medidor debe estar conectada a una tierra de protección.
- No aplique tensión al medidor hasta que se haya conectado la tierra.

El incumplimiento de estas instrucciones ocasionará la muerte o lesiones graves.

La correcta puesta a tierra del medidor ayuda en los siguientes aspectos:

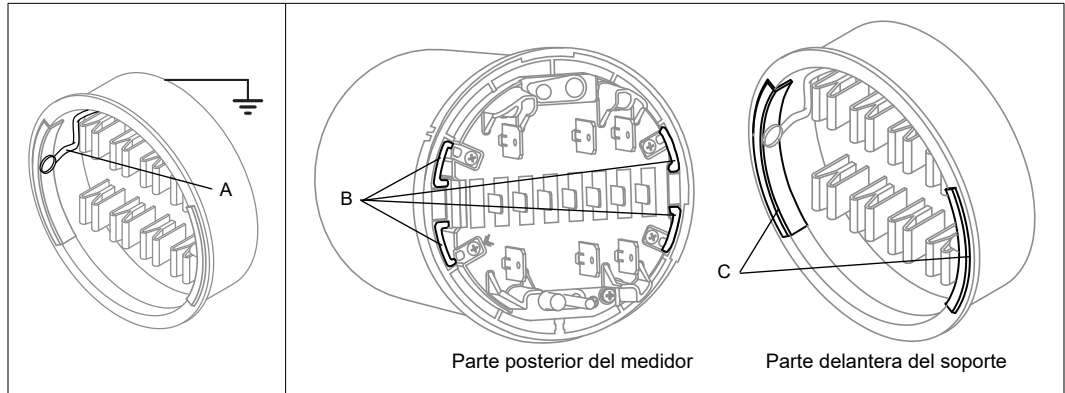
- ◆ Proporciona una ruta segura a la tierra de protección.
- ◆ Protege la circuitería electrónica del medidor.
- ◆ Asegura y preserva la precisión del medidor.
- ◆ Permite un correcto funcionamiento del filtrado del ruido en el medidor.
- ◆ Permite un correcto funcionamiento de los puertos de comunicaciones.
- ◆ Cumple todas las normativas locales y nacionales.

Métodos de puesta a tierra

Utilice uno o los dos métodos de puesta a tierra descritos a continuación.

Método de puesta a tierra 1: Mediante los contactos de tierra de la base del soporte

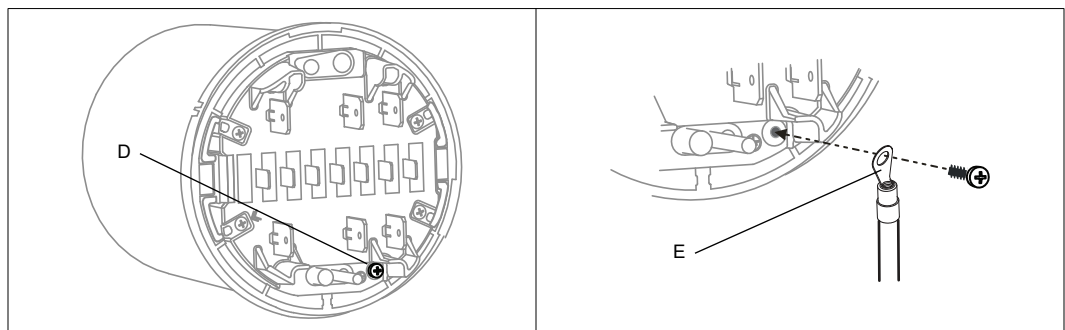
1. Utilice cable de 3,31 mm² (12 AWG) (A) para conectar la tierra de la base del soporte a tierra
2. Inspeccione y limpie los contactos de tierra (C) que se encuentran en el frontal de la base del soporte. Retire la pintura, óxido o cualquier otro recubrimiento o contaminación superficial que impida la correcta conexión eléctrica con los contactos de tierra (B) del medidor.



3. Asegúrese de que los contactos de tierra (B) del medidor estén alineados con los contactos de tierra (C) de la base del soporte de manera que se conecten correctamente cuando se monte el medidor.

Método de puesta a tierra 2: Mediante el terminal de tierra del medidor

1. Engarce un conector de tipo anilla a un cable de tierra de 3,31 mm² (12 AWG) de buena calidad.
2. Utilice un destornillador Phillips n.º 2 para extraer el terminal de tierra (D) del medidor.



3. Fije el cable de tierra (E) al medidor mediante el terminal de tierra. Apriételo a un par de 1,6 a 1,9 N·m.
4. Continúe con el "Paso 3: Montaje del medidor" en la página 49, haciendo pasar con cuidado el cable de puesta a tierra junto con los demás cables a través de la base del soporte. Conecte la tierra del medidor a tierra.

Paso 3: Montaje del medidor

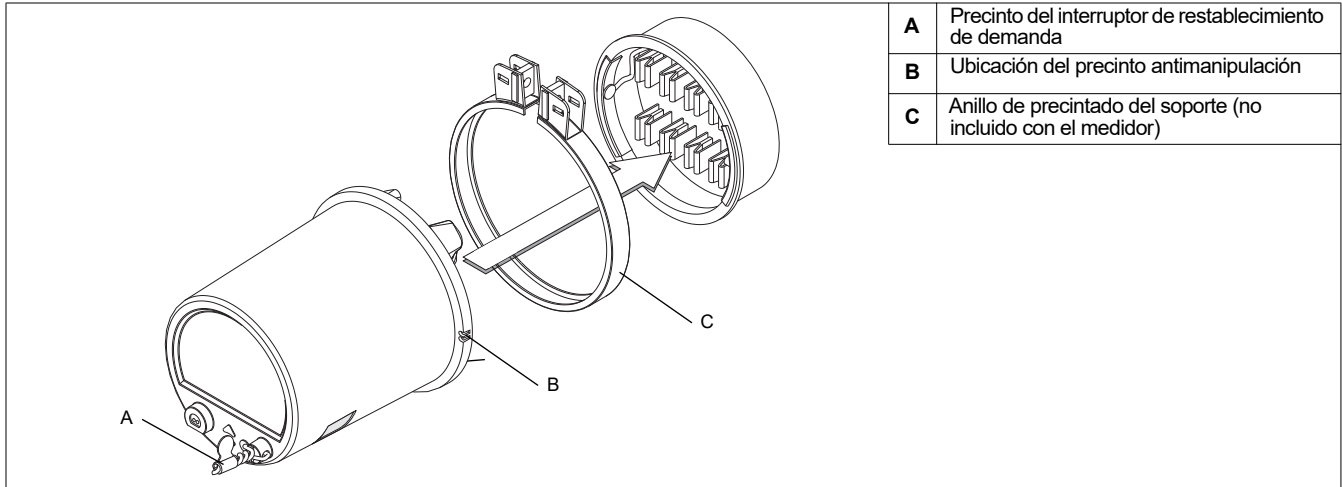
1. Desconecte y bloquee la alimentación. Utilice un voltímetro de rango adecuado para confirmar que el equipo está apagado.
2. Haga pasar el cableado de E/S y de comunicaciones y el cable de tierra del medidor (si procede, consulte la sección "Método de puesta a tierra 2: Mediante el terminal de tierra del medidor" en la página 49) a través de la abertura de la base del soporte, dejando suficiente holgura en el cableado como para permitir las operaciones de mantenimiento en el futuro.

NOTA

Dependiendo del tipo de soporte, es posible que tenga que aflojar los pernos del soporte para hacer pasar los cables.

3. Empuje firmemente el medidor contra la base del soporte con cuidado de no pillar ningún cable.
4. Si fuera necesario, coloque un precinto antimanipulación que atraviese la cubierta exterior y el medidor.

- Si fuera necesario, coloque el anillo de precintado del soporte y precinte el interruptor de restablecimiento de demanda.



Paso 4: Conexión de la fuente de alimentación auxiliar opcional

Esta sección se aplica únicamente si ha encargado la opción de fuente de alimentación auxiliar del medidor.

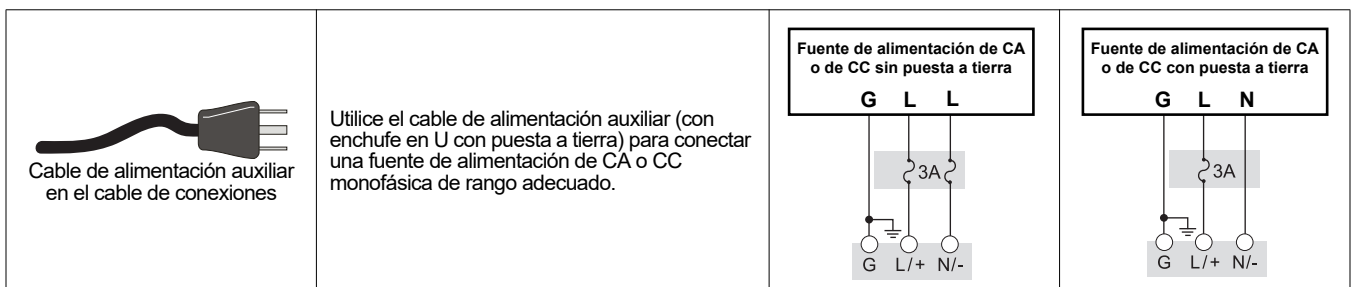
⚠ PELIGRO

RIESGO DE DESCARGA ELÉCTRICA, EXPLOSIÓN O DESTELLO DE ARCO

- Apague todas las fuentes de alimentación de este dispositivo y del equipo en el que está instalado antes de trabajar con ellos.
- Utilice siempre un voltímetro de rango adecuado para confirmar que el equipo está totalmente apagado.
- Verifique que la fuente de alimentación del medidor cumple las especificaciones correspondientes a la opción de fuente de alimentación del medidor.

El incumplimiento de estas instrucciones ocasionará la muerte o lesiones graves.

- ◆ Instale un fusible de acción retardada de 3 A de rango adecuado (que deberá aportar el cliente) en el terminal L/+.
- ◆ No instale un fusible en el terminal N/- del medidor si el terminal N/- de la fuente de alimentación está conectado a tierra.
- ◆ Conecte el terminal G a tierra.



Paso 5: Cableado de las comunicaciones y las E/S opcionales

⚠ ADVERTENCIA

RIESGO DE FUNCIONAMIENTO IMPREVISTO

No utilice este dispositivo en aplicaciones críticas de control o protección en las que la seguridad de las personas o equipos dependa del funcionamiento del circuito de control.

El incumplimiento de estas instrucciones ocasionará la muerte o lesiones graves.



Puerto óptico delantero

Utilice una sonda óptica IEC Tipo II para permitir la comunicación mediante el puerto por infrarrojos delantero del medidor.

Opción Ethernet

A continuación se muestra la configuración de puertos de servicio IP correspondiente a las comunicaciones Ethernet.

ION sobre TCP	Modbus RTU	EtherGate (COM1)	EtherGate (COM4)	Modbus TCP	DNP sobre TCP	FTP	IEC61850
7700	7701	7801	7802	502	20000	21	102





NOTA

Los ajustes del puerto Ethernet son configurables. Consulte la *PowerLogic ION8650 User Guide* (Guía de usuario PowerLogic ION8650) para obtener más información sobre cómo cambiar las asignaciones de números de puerto Ethernet.

Conectar la opción de fibra

Cuando conecte la tarjeta de comunicaciones de la opción de fibra, termine los conectores y cables como se indica a continuación:

Conexión de puerto	Ethernet
Cable	Fibra óptica multimodo 62,5/125
Longitud	68,6 mm (27 pulgadas)
Longitud máxima	2000 m (6562 pies)
Tipo de conector	Conectores ST en trenza
Naranja (Tx) a (Rx) 	Conecte el naranja (Tx) para recibir (Rx)
Negro (Rx) a Tx 	Conecte el negro (Rx) para transmitir (Tx)
Tasa de datos	100 Mbps
Aislamiento	Óptico
Conectar a	Puerto Ethernet para red LAN/WAN

Consideraciones sobre el modelo ION8650C

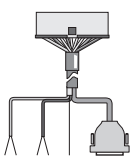



En el caso del modelo ION8650C, es posible activar el puerto óptico delantero y, como máximo, otros dos puertos de comunicaciones. La tabla que aparece a continuación muestra los puertos activados de manera predeterminada en fábrica.

Opción de comunicaciones	Código	Puerto de comunicaciones activado de fábrica ¹
M 8 6 5 0 C 0 C 0 H 6 [C 7] A 0 A	A0	RS-232/RS-485 y RS-485
	C7	Ethernet y módem interno (RS-232/RS-485 y RS-485 están desactivados)
	E1	RS-485 y Ethernet (RS-485 está desactivado)
	F1	RS-485 y Ethernet (RS-485 está desactivado)
	M1	RS-232/RS-485 y módem interno (RS-485 está desactivado)
	S0	Puerto óptico por infrarrojos del panel frontal, RS-232/RS-485, RS-485, Ethernet, módem celular ²

¹ Consulte la sección "Opciones del medidor" en la página 42 para obtener una lista completa de las opciones de comunicaciones disponibles.

² La opción de módem celular sólo está disponible en el medidor de soporte.

- Si no va a incluir un módulo de expansión de E/S en la instalación, conecte el cable de conexiones COM al cable del medidor que tiene un conector Molex de 24 pines.
- Termine los conectores o los cables de la siguiente manera:

	Conexión de puerto	Cable o conector	Conectar a
 <p>Cable de conexiones COM</p>	COM1 (RS-232) ¹	Conector DB9 (del cable de conexiones)	Puerto serie RS-232 del ordenador
	COM1 (RS-485) ²	Cable blanco (del cable de conexiones)	RS-485 Datos +
		Cable negro (del cable de conexiones)	RS-485 Datos -
	Blindaje común de RS-485	Cable desnudo (del cable de conexiones)	Blindaje de RS-485 (COM1 y COM4)
COM4 (RS-485)	Cable rojo (del cable de conexiones)	RS-485 Datos +	
	Cable negro (del cable de conexiones)	RS-485 Datos -	
	COM 2 (módem)	Conector RJ11	Línea telefónica del módem
	Ethernet	Conector RJ45	Puerto Ethernet para red LAN/WAN
	IRIG-B ³	Cable rojo	IRIG-B (+)
		Cable negro	IRIG-B (-)

¹ Consulte la sección "Conexiones RS-232" en la página 64 para obtener más información sobre conexiones RS-232.

² En el caso de comunicaciones RS-485, utilice un convertidor de Ethernet a RS-485 o de RS-232 a RS-485. Para obtener más información, consulte la documentación del convertidor de comunicaciones.

³ No se puede configurar IRIG-B por medio del panel frontal del medidor. Consulte la nota técnica *IRIG-B GPS time synchronization* (Sincronización horaria por GPS IRIG-B) para obtener información sobre los procedimientos de configuración.

NOTA

Si el conector Ethernet o del módem está cubierto por una tapa, el medidor no dispone de esa opción de comunicación. Etiquete el extremo del cable de manera que indique con claridad que la opción no está disponible.

Opción de módulo de expansión de E/S

Si va a añadir un módulo de expansión de E/S a la instalación, conecte el cable del medidor con el conector Molex de 24 pines directamente al módulo de expansión de E/S. No utilice en este caso el cable de conexiones COM. Si desea acceder a información pormenorizada sobre la manera de terminar los conectores de comunicaciones, consulte el *I/O Expander Installation Guide* (Manual de instalación del módulo de expansión de E/S de PowerLogic®).

Distribución de pines del conector Molex de 24 pines

La tabla dispuesta a continuación describe el cableado de comunicaciones serie del conector Molex de 24 pines. Le será de utilidad si desea cablear las comunicaciones serie del medidor sin utilizar el cable de comunicaciones COM.

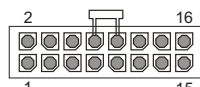
Función	Color o banda del cable	Pin ¹		Color o banda del cable	Función
COM4 RS-485 Datos +	Blanco/azul	1	2	Azul/blanco	COM4 RS-485 Datos -
No procede: No utilizar	Negro/azul	3	4	Negro	COM1 RS-232 CTS
COM1 RS-232 CD	Blanco	5	6	Rojo	COM1 RS-232 RXD
COM1 RS-232 TXD	Verde	7	8	Marrón	COM1 RS-232 DTR
COM1 RS-232 RTS	Azul	9	10	Naranja	COM1 RS-232 tierra
COM1 RS-485 Datos +	Rojo/azul	11	12	Azul/rojo	COM1 RS-485 Datos -
Blindaje común de RS-485	Cable desnudo	13	14	Negro/naranja, negro/verde	No procede: No utilizar

¹ Los pines 15 a 24 no se utilizan y deben dejarse desconectados.

Cableado de E/S incorporadas opcionales

Esta sección se aplica únicamente si ha encargado la opción de E/S incorporadas del medidor. Consulte la sección "Opciones del medidor" en la página 42 para averiguar la opción de E/S incorporadas correspondiente a su medidor. Si desea más información, consulte la tabla de especificaciones "E/S incorporadas" en la página 62.

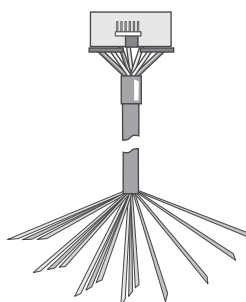
1. Conecte el cable de conexiones de E/S proporcionado al conector de E/S incorporadas del medidor (Molex de 16 pines).
2. Termine los extremos del cable de la siguiente manera:



Vista del extremo del conector opcional de E/S del medidor



Desde el medidor



Cable de conexiones de E/S

Opción B de E/S incorporadas					
Función	Color o banda del cable	Pin		Color o banda del cable	Función
Salida C1 K	Negro	1	2	Blanco	Salida C1 Z
Salida C2 Z	Rojo	3	4	Verde	Salida C1 Y
Salida C2 Y	Naranja	5	6	Azul	Salida C2 K
Salida C3 K	Blanco/negro	7	8	Rojo/negro	Salida C3 Z
Salida C4 Z	Verde/negro	9	10	Naranja/negro	Salida C3 Y
Salida C4 Y	Azul/negro	11	12	Negro/blanco	Salida C4 K
Entrada S2	Rojo/blanco	13	14	Verde/blanco	Entrada S1
Entrada SCOM	Azul/blanco	15	16	Negro/rojo	Entrada S3

Opción C de E/S incorporadas					
Función	Color o banda del cable	Pin		Color o banda del cable	Función
Salida C1 K	Negro	1	2	Blanco	Salida C1 Z
Salida C2 Z	Rojo	3	4	Verde	Salida C1 Y
Salida C2 Y	Naranja	5	6	Azul	Salida C2 K
Salida C3 K	Blanco/negro	7	8	Rojo/negro	Salida C3 Z
Salida C4 Z	Verde/negro	9	10	Naranja/negro	Salida C3 Y
Salida C4 Y	Azul/negro	11	12	Negro/blanco	Salida C4 K
Salida A1 K	Rojo/blanco	13	14	Verde/blanco	Salida A1 Y
Entrada SCOM	Azul/blanco	15	16	Negro/rojo	Entrada S1

3. Si desea más información, consulte la sección "Opciones adicionales de configuración" en la página 64.

NOTA

De manera predeterminada todas las entradas digitales están asignadas. No se asigna ninguna salida digital de estado sólido (utilice el software Power Monitoring Expert o ION Setup para configurar las salidas digitales).

Paso 6: Aplicación de tensión al medidor

PELIGRO

RIESGO DE DESCARGA ELÉCTRICA, EXPLOSIÓN O DESTELLO DE ARCO

- Antes de aplicar tensión al medidor, asegúrese de que la tierra de protección está conectada.
- Las conexiones eléctricas de los terminales del medidor no deben quedar al alcance de los usuarios después de la instalación.
- Vuelva a colocar todos los dispositivos, las puertas y las cubiertas antes de poner en servicio el medidor.

El incumplimiento de estas instrucciones ocasionará la muerte o lesiones graves.

1. Cierre los fusibles del TT (o los fusibles de entrada de tensión directa).
2. Abra los bloques de cortocircuito del TI.
3. Aplique tensión al medidor.

Verificación del funcionamiento del medidor

Cuando se aplica tensión al medidor, la pantalla del panel frontal se enciende y muestra brevemente un mensaje que indica que el medidor se está iniciando, para desplazarse seguidamente por las diferentes pantallas. Los indicadores LED de la parte lateral del medidor parpadean para indicar que hay actividad de comunicaciones.

Paso 7: Configuración del medidor con el panel frontal

Las secciones que siguen describen la manera de configurar el medidor mediante los botones del panel frontal.

Navegación mediante los botones del panel frontal

1. Mantenga pulsado el botón redondo (ALT/ENTER) para acceder a las pantallas de configuración del medidor.
2. Pulse el botón de flecha arriba o flecha abajo (navegación) para cambiar la selección (elemento resaltado).
3. Pulse el botón redondo para seleccionarlo.
4. Para retroceder a la pantalla anterior, resalte "RETURN" (Volver) y pulse el botón redondo.

Modificación de los valores de configuración del medidor

1. Cualquiera de los dos métodos descritos a continuación le permitirán cambiar los valores de configuración:
 - ◆ Si desea seleccionar una opción diferente de una lista, pulse el botón de flecha arriba o de flecha abajo para resaltar el elemento que desee y, a continuación, pulse el botón redondo para seleccionarlo.
 - ◆ Si desea cambiar un valor numérico, utilice el botón de flecha arriba o de flecha abajo para incrementar o reducir el valor. Mantenga pulsado el botón de flecha arriba para mover el cursor hacia la izquierda, o bien mantenga pulsado el botón de flecha abajo para hacerlo hacia la derecha.
2. Pulse el botón redondo para establecer el cambio:
 - ◆ Introduzca la contraseña, si así se le indica. La contraseña predeterminada es "0" (cero).
 - ◆ En la pantalla "CONFIRM CHANGE" (Confirmar cambio), seleccione "YES" (Sí) y, a continuación, pulse el botón redondo.

Menús de configuración del panel frontal

La tabla que figura a continuación muestra los menús de configuración y describe sus registros. Si la función o hardware opcional no están presentes, el medidor muestra el mensaje "Not available" (No disponible).

Use ION Setup para configurar los registros de configuración que no sean accesibles a través del panel frontal.

Menú	Valor	Descripción	Intervalo (valores)	Predet.
Basic Setup (Configuración básica)	Volts Mode (Modo de voltios)	Configuración de cableado del sistema de alimentación.	9S – 4 Wire Wye/Delta (Estrella/triángulo de 4 hilos de 9S), 29S – 4 Wire Wye (Estrella de 4 hilos de 29S), 35S – 3 Wire (3 hilos de 35S), 36S – 4 Wire Wye (Estrella de 4 hilos de 36S), DEMO (Demostración)	9S – 4 Wire Wye/Delta
	PT Primary (Primario del TT)	Tensión nominal del devanado primario del transformador de tensión.	De 1.0 a 999,999.00	120
	PT Secondary (Secundario del TT)	Tensión nominal del devanado secundario del transformador de tensión.	De 1.0 a 999,999.00	120
	CT Primary (Primario del TI)	Intensidad nominal del devanado primario del transformador de intensidad.	De 1.0 a 999,999.00	5
	CT Secondary (Secundario del TI)	Intensidad nominal del devanado secundario del transformador de intensidad.	De 1.0 a 999,999.00	5
	VA Polarity (Polaridad de V1)	Polaridad del transformador de tensión en V1.	Normal o Inverted (Invertida)	Normal
	VB Polarity (Polaridad de V2)	Polaridad del transformador de tensión en V2.	Normal o Inverted (Invertida)	Normal
	VC Polarity (Polaridad de V3)	Polaridad del transformador de tensión en V3.	Normal o Inverted (Invertida)	Normal
	IA Polarity (Polaridad de I1)	Polaridad del transformador de intensidad en I1.	Normal o Inverted (Invertida)	Normal
	IB Polarity (Polaridad de I2)	Polaridad del transformador de intensidad en I2.	Normal o Inverted (Invertida)	Normal
	IC Polarity (Polaridad de I3)	Polaridad del transformador de intensidad en I3.	Normal o Inverted (Invertida)	Normal
Phase Rotation (Rotación de fases)	Rotación de fases del sistema de alimentación.	ABC, ACB	ABC	
COM1 Setup (Configuración de COM1) (RS-232/RS-485)	Protocol (Protocolo)	Especifica el protocolo utilizado en este puerto.	Ninguna, ION, Modbus RTU, Modbus Master ¹ , DNP v3.00, DLMS, ModemGate, GPS: Truetime/Datum, GPS: Arbiter, GPS: Arbiter-Vorne, Factory, EtherGate	ION
	Baud Rate (Velocidad en baudios)	Especifica la velocidad en baudios del puerto COM durante las comunicaciones serie.	De 300 a 115200	9600
	Transmit Delay (Retardo de transmisión)	Especifica el valor del retardo de transmisión del puerto.	De 0 a 1.00	0,01
	Unit ID (ID de la unidad)	Identifica el medidor durante las comunicaciones serie.	De 1 a 9999	A partir del número de serie ²
	Serial Port (Puerto serie)	Bits de datos, de paridad y de parada del puerto	8O1, 8O2, 8N1, 8N2, 8E1, 8E2	8N1
	RS232 or RS485 (RS232 o RS485)	Especifica RS-232 o RS-485.	RS232, RS485	RS232
	RTS/CTS Handshake (Reconocimiento de RTS/CTS)	Especifica si se utiliza control de flujo de hardware durante la comunicación RS-232.	RTS with delay (RTS con retardo), RTS/CTS	RTS with delay
	RS485 Bias (Polaridad de RS485)	Especifica si se debe aplicar o no la polarización RS-485 al puerto.	ON (conectada) u OFF (desconectada)	OFF
COM2 Setup (Configuración de COM2) (módem)	Protocol (Protocolo)	Especifica el protocolo utilizado en este puerto.	Ninguna, ION, Modbus RTU, DNP v3.00, DLMS, GPS: Truetime/Datum, GPS: Arbiter, GPS: Arbiter-Vorne, Factory	ION
	Baud Rate (Velocidad en baudios)	Especifica la velocidad en baudios del puerto COM durante las comunicaciones serie.	De 300 a 115200	9600
	Transmit Delay (Retardo de transmisión)	Especifica el valor del retardo de transmisión del puerto.	De 0 a 1.00	0,01
	Unit ID (ID de la unidad)	Identifica el medidor durante las comunicaciones serie.	De 1 a 9999	101

Menú	Valor	Descripción	Intervalo (valores)	Predet.
COM3 Setup (Configuración de COM3) (puerto óptico delantero)	Protocol (Protocolo)	Especifica el protocolo utilizado en este puerto.	Ninguna, ION, Modbus RTU, Modbus Master ¹ , DNP v3.00, DLMS, GPS: Truetime/Datum, GPS: Arbiter, GPS: Arbiter-Vorne,Factory	ION
	Baud Rate (Velocidad en baudios)	Especifica la velocidad en baudios durante las comunicaciones serie.	300 a 115200 ³	9600
	Transmit Delay (Retardo de transmisión)	Especifica el valor del retardo de transmisión del puerto.	De 0 a 1.00	0,01
	Unit ID (ID de la unidad)	Identifica el medidor durante las comunicaciones.	De 1 a 9999	102
	Serial Port (Puerto serie)	Bits de datos, de paridad y de parada del puerto	8O1, 8O2, 8N1, 8N2, 8E1, 8E2	8N1
COM4 Setup (Configuración de COM4) (RS-485)	Protocol (Protocolo)	Especifica el protocolo utilizado en este puerto.	Ninguna, ION, Modbus RTU, Modbus Master ¹ , DNP v3.00, DLMS, ModemGate, GPS: Truetime/Datum, GPS: Arbiter, GPS: Arbiter-Vorne,Factory, EtherGate	ION
	Baud Rate (Velocidad en baudios)	Especifica la velocidad en baudios durante las comunicaciones serie.	De 300 a 115200	9600
	Transmit Delay (Retardo de transmisión)	Especifica el valor del retardo de transmisión del puerto.	De 0 a 1.00	0,01
	Unit ID (ID de la unidad)	Identifica el medidor durante las comunicaciones.	De 1 a 9999	103
	Serial Port (Puerto serie)	Bits de datos, de paridad y de parada del puerto	8O1, 8O2, 8N1, 8N2, 8E1, 8E2	8N1
	RS485 Bias (Polaridad de RS485)	Especifica si se debe aplicar o no la polarización RS-485 al puerto.	ON (conectada) u OFF (desconectada)	OFF
Configuración de módem celular	Protocolo de conexión 1	Especifica el protocolo usado para la conexión 1	Ninguno, ION, Modbus TCP, DNP 3.0, EtherGate	Ninguno
	Número de puerto de conexión 1	Especifica el número de puerto para establecer la conexión 1	1 - 65535	0
	Protocolo de conexión 2	Especifica el protocolo usado para la conexión 2	Ninguno, ION, Modbus TCP, DNP 3.0, EtherGate	Ninguno
	Número de puerto de conexión 2	Especifica el número de puerto para establecer la conexión 2	1 - 65535	0
	Protocolo de conexión 3	Especifica el protocolo usado para la conexión 3	Ninguno, ION, Modbus TCP, DNP 3.0, EtherGate	Ninguno
	Número de puerto de conexión 3	Especifica el número de puerto para establecer la conexión 3	1 - 65535	0
	Protocolo de conexión 4	Especifica el protocolo usado para la conexión 4	Ninguno, ION, Modbus TCP, DNP 3.0, EtherGate	Ninguno
	Número de puerto de conexión 4	Especifica el número de puerto para establecer la conexión 4	1 - 65535	0
	Protocolo de conexión 5	Especifica el protocolo usado para la conexión 5	Ninguno, ION, Modbus TCP, DNP 3.0, EtherGate	Ninguno
	Número de puerto de conexión 5	Especifica el número de puerto para establecer la conexión 5	1 - 65535	0
	Protocolo de conexión 6	Especifica el protocolo usado para la conexión 6	Ninguno, ION, Modbus TCP, DNP 3.0, EtherGate	Ninguno
	Número de puerto de conexión 6	Especifica el número de puerto para establecer la conexión 6	1 - 65535	0
	IP Address (Dirección IP)	Especifica la dirección IP asignada al módem celular por la red	xxx.xxx.xxx.xxx	no configurable
Configurar el cortafuegos	Especifica hasta dos redes aceptadas por el módem celular Las direcciones se introducen en parejas (ip, máscara, ip, máscara)	aaa.aaa.aaa.aaa, bbb.bbb.bbb.bbb	Ninguno	
MEID	Muestra el Identificador de Equipo Móvil	no configurable	no configurable	
Configuración de red	IP Address (Dirección IP)	Especifica la dirección Ethernet TCP/IP.	De 0.0.0.0 a 255.255.255.255 ³	Ninguno ⁴
	Mask (Máscara)	Especifica la máscara de subred.	De 0.0.0.0 a 255.255.255.255	Ninguna
	Gateway (Pasarela)	Especifica la pasarela Ethernet (si se utiliza).	De 0.0.0.0 a 255.255.255.255	Ninguno
	SMTP Address (Dirección SMTP)	Especifica la ubicación del servidor SMTP.	De 0.0.0.0 a 255.255.255.255	Ninguna
	MAC Address (Dirección MAC)	Dirección de control de acceso a la máquina.	Hexadecimal ⁵	No procede
	Port Enable (Activar puerto)	Especifica si el puerto está activado o desactivado	Webserver, FTP, DNP over TCP, ION over TCP, Modbus over TCP, Modbus TCP, Telnet	TBD
Puertos Com activados⁶	COM1	Especifica si COM1 (RS-232/RS-485) está activado o no.	Disabled (Desactivada), Enabled (Activada)	
	COM2	Especifica si COM2 (módem) está activado o no.	Disabled (Desactivada), Enabled (Activada)	
	COM3	COM3 (puerto óptico delantero) siempre está activado.	Puertos Com	Puertos Com
	COM4	Especifica si COM4 (RS-485) está activado o no.	Disabled (Desactivada), Enabled (Activada)	
	Ethernet	Especifica si el puerto Ethernet está activado o no.	Disabled (Desactivada), Enabled (Activada)	
	Undo & Return (Deshacer y volver)	Sirve para cancelar los cambios realizados y volver al menú anterior.		
	Reboot (Reiniciar)	Sirve para reiniciar el medidor.		

Menú	Valor	Descripción	Intervalo (valores)	Predet.
Format Setup (Configuración de formato)	Phase Labels (Etiquetas de fases)	Especifica cómo se etiquetan las fases	123, ABC, RST, XYZ, RYB, RWB	ABC
	PF Symbol (Símbolo del FP)	Especifica qué par de símbolos se utilizará para indicar el factor de potencia.	CAP/IND (capacitivo/inductivo), LD/LG (avance/retraso), +/-	LD/LG
	Digit Group (Grupo de dígitos)	Especifica los símbolos utilizados para delimitar los miles y el separador de decimales.	1000.0 o 1,000.0 o 1 000,0	1000,0
	Date Format (Formato de fecha)	Especifica cómo se muestran las fechas.	YYYY/MM/DD, MM/DD/YYYY, DD/MM/YYYY	MM/DD/ YYYY
	Show DST (Mostrar DST)	Especifica si se visualiza el horario de verano o no.	Do not display DST (No mostrar DST), Display DST (Mostrar DST)	Display DST
	Volts Decimal (Decimales de voltios)	Número de cifras decimales que se muestran en valores de tensión.	De 1. a 123456789.XXX	1.XX
	Current Decimal (Decimales de intensidad)	Número de cifras decimales que se muestran en valores de intensidad.	De 1. a 123456789.XXX	1.XX
	Power Decimal (Decimales de potencia)	Número de cifras decimales que se muestran en valores de potencia.	De 1. a 123456789.XXX	1.XX
Display Setup (Configuración de la pantalla)	Update Rate (Tasa de refresco)	Establece la frecuencia en segundos con la que se actualiza la pantalla.	De 1 s a 6 s	1 s
	Contrast (Contraste)	Establece el contraste de la pantalla (los números más altos corresponden a mayor nitidez).	De 0 a 9	6
	Backlight TO (Límite de tiempo de retroiluminación)	Cuánto tiempo permanece encendida la retroiluminación de la pantalla del panel frontal después de pulsar el último botón.	De 0 a 7200 (segundos) ⁷	300
	DMD Lock TO (Límite de tiempo de bloqueo de demanda)	Tiempo mínimo permitido entre restablecimientos de demanda consecutivos.	De 0 a 5184000 (segundos)	2160000 (25 días)
	TEST Mode TO (Límite de tiempo del modo Test)	Cuánto tiempo permanece el dispositivo en modo Test antes de volver al estado normal.	De 60 a 21600 (segundos)	1800
	Display Scale (Escala de visualización)	Escala que se aplica a los valores antes de ser mostrados.	De 1.00 a 999999.0	1000
	Scaling Mode (Modo de escala)	Especifica si los valores se dividen o se multiplican por la escala de visualización antes de ser mostrados.	Multiply (Multiplicar) o Divide (Dividir)	Divide
	Delta Vectors (Vectores modo triángulo)	Especifica cómo se muestran los diagramas vectoriales cuando se está en modo Delta (Triángulo).	System (Sistema) o Instrument (Instrumento)	Instrument
Security (Seguridad)	Modify Passwd (Modificar contraseña)	Cambia la contraseña de la seguridad estándar ⁸	De 0 a 99999999	0
	Disable Security (Desactivar seguridad)	Elimina el requisito de contraseña del USUARIO00 (panel frontal) cuando se activa la Seguridad avanzada.	Disabled (Desactivada), Enabled (Activada) ⁹	Password Enabled (Contraseña activada)
	Web Config (Configuración web)	Permite la configuración mediante una interfaz de servidor web.	Disabled (Desactivada), Enabled (Activada)	Enabled

¹ ION8650C (conjunto de funciones C) no admite el protocolo Modbus Master.

² El ID de unidad configurado de fábrica se basa en el número de serie del medidor. Por ejemplo, si el número de serie es XXXX-1009X263-XX el ID de unidad configurado de fábrica es **9263**.

³ Una vez introducida, la dirección 0.0.0.0 aparece como 'Ninguna' en el panel frontal.

⁴ Para modificar el ajuste "NONE" (Ninguna), mantenga pulsado el botón de flecha arriba para entrar en el modo de edición.

⁵ La dirección MAC se codifica en fábrica de manera rígida (no modificable) y su finalidad es meramente indicativa.

⁶ Sólo se aplica a ION8650C (conjunto de funciones C). Consulte la sección "Conmutación de los puertos de comunicaciones activos en el modelo ION8650C (conjunto de funciones C)" en la página 65.

⁷ Si se configura el tiempo de apagado de la retroiluminación en 0, se mantendrá encendida siempre.

⁸ Esta opción sólo está disponible con la seguridad estándar. Cuando se activa la seguridad avanzada, aparece el mensaje NO DISPONIBLE en el panel frontal.

⁹ Para activar o desactivar la seguridad del medidor, consulte la sección "Seguridad del medidor" en la página 64.

Paso 8: Configuración de los parámetros avanzados mediante ION Setup

ION Setup sirve para configurar las funciones avanzadas del medidor ION8650. La descarga gratuita de ION Setup está disponible en el sitio web www.se.com. Para obtener instrucciones sobre el uso de ION Setup, consulte la ayuda en línea,

Algunas funciones no se activan hasta que se cambian ciertos parámetros de la configuración, como el valor del registro *NomVolts* (Tensión nominal) en el módulo Sag/Swell (Huecos/puntas) para activar las funciones de calidad de energía. Para obtener una explicación pormenorizada de todas las funciones del medidor, consulte el *ION8650 User Guide* (Manual del usuario del medidor ION8650).

Paso 9: Visualización de los datos del medidor

De manera predeterminada se muestran las pantallas del modo de visualización NORM (normal). Pulse el botón redondo (ALT/ENTER) para pasar al modo de visualización ALT (alternativo). Los botones de flecha arriba o flecha abajo le permitirán desplazarse por las distintas pantallas.

Pantallas del modo NORM

Pantalla	Contenido	Pantalla	Contenido
kWh	Valores de kWh suministrados/recibidos	Peak Demand Reset (Restablecimiento de demanda punta)	Número de restablecimientos de demanda (con sello de fecha y hora)
kVARh	Valores de kVARh suministrados/recibidos	Q Metering (Medición de Q)	Mediciones aproximadas de VARh
kVAh	Valores de kVAh suministrados/recibidos	Disk Simulator (Simulador del disco)	Simula el disco del medidor mecánico de vatios hora.
Peak Demand Delivered (Demanda punta suministrada)	Valor máximo de kW, kVAR y kVA suministrados (con sello de fecha y hora)	All Segments (Todos los segmentos)	La pantalla negra muestra los píxeles LCD que funcionan correctamente.

Pantallas del modo ALT

Pantalla	Contenido	Pantalla	Contenido
Name Plate 1 (Placa de datos 1)	Propietario, versión del firmware, ETIQUETAS 1 y 2	Active TOU Seasons (Temporadas de TOU activas)	Temporada activa de facturación de TOU
Name Plate 2 (Placa de datos 2)	Configuración de demanda de ventana deslizante	TOU Energy by Rate (Energía de TOU por tarifa)	Valores de kWh suministrados correspondientes a cada tarifa de TOU
Event Log (Registro de eventos)	Eventos más recientes de alta prioridad (255)	kW Peak Demand (Demanda punta de kW)	Valores de kW máximos suministrados correspondientes a cada tarifa de TOU
Phasor Diagram (Diagrama fasorial)	Fasores y valores de intensidad/tensión de fase	Past Billing Energy (Energía de facturación anterior)	Valores de kWh suministrados en la facturación anterior
Instantaneous Voltage (Tensión instantánea)	Tensión de fase, tensión media (L-N o L-L)	Past Billing Peak Demand (Demanda punta de facturación anterior)	Valores de kWh máximos suministrados en la facturación anterior
Instantaneous Current (Intensidad instantánea)	Intensidad de fase, intensidad media	Past Season Energy (Consumo energético de la temporada anterior)	Valores de kWh suministrados correspondientes a cada tarifa de TOU de la facturación anterior
Instantaneous Power (Potencia instantánea)	Valores de kW totales, kVAR totales, kVA totales, factor de potencia	Past Season Peak Demand (Demanda punta de la temporada anterior)	Valores de kWh máximos suministrados correspondientes a cada tarifa de TOU de la facturación anterior
Instantaneous Demand (Demanda instantánea)	Valores de kW suministrados/recibidos	Past Billing/Season Energy (Consumo energético de la facturación/temporada anterior)	Valores de kWh suministrados/recibidos en la facturación y temporada anteriores
Flicker ¹	Mediciones de flicker de V1, V2 y V3	Past Bill/Season Pk Dem (Demanda punta de la facturación/temporada anterior)	Valores de kW máximos recibidos de demanda de ventana deslizante correspondientes a la facturación y temporada anteriores
Voltage Harmonics (Armónicos de tensión [3 pantallas])	Histogramas de armónicos de tensión por fase	Past Billing/Season Energy (Consumo energético de la facturación/temporada anterior)	Valores de kVARh suministrados/recibidos en la facturación y temporada anteriores
Current Harmonics (Armónicos de intensidad [3 pantallas])	Histogramas de armónicos de intensidad por fase	Past Bill/Season Pk Demand (Demanda punta de la facturación/temporada anterior)	Valores de kVAR máximos suministrados/recibidos en la facturación y temporada anteriores
Active TOU Rate (Tarifa de TOU activa)	Tasa activa de facturación de TOU	Past Billing/Season Energy (Consumo energético de la facturación/temporada anterior)	Valores de kVAh suministrados/recibidos de la facturación y temporada anteriores
		Past Bill/Season Pk Demand (Demanda punta de la facturación/temporada anterior)	Valores de kVA máximos suministrados/recibidos en la facturación y temporada anteriores

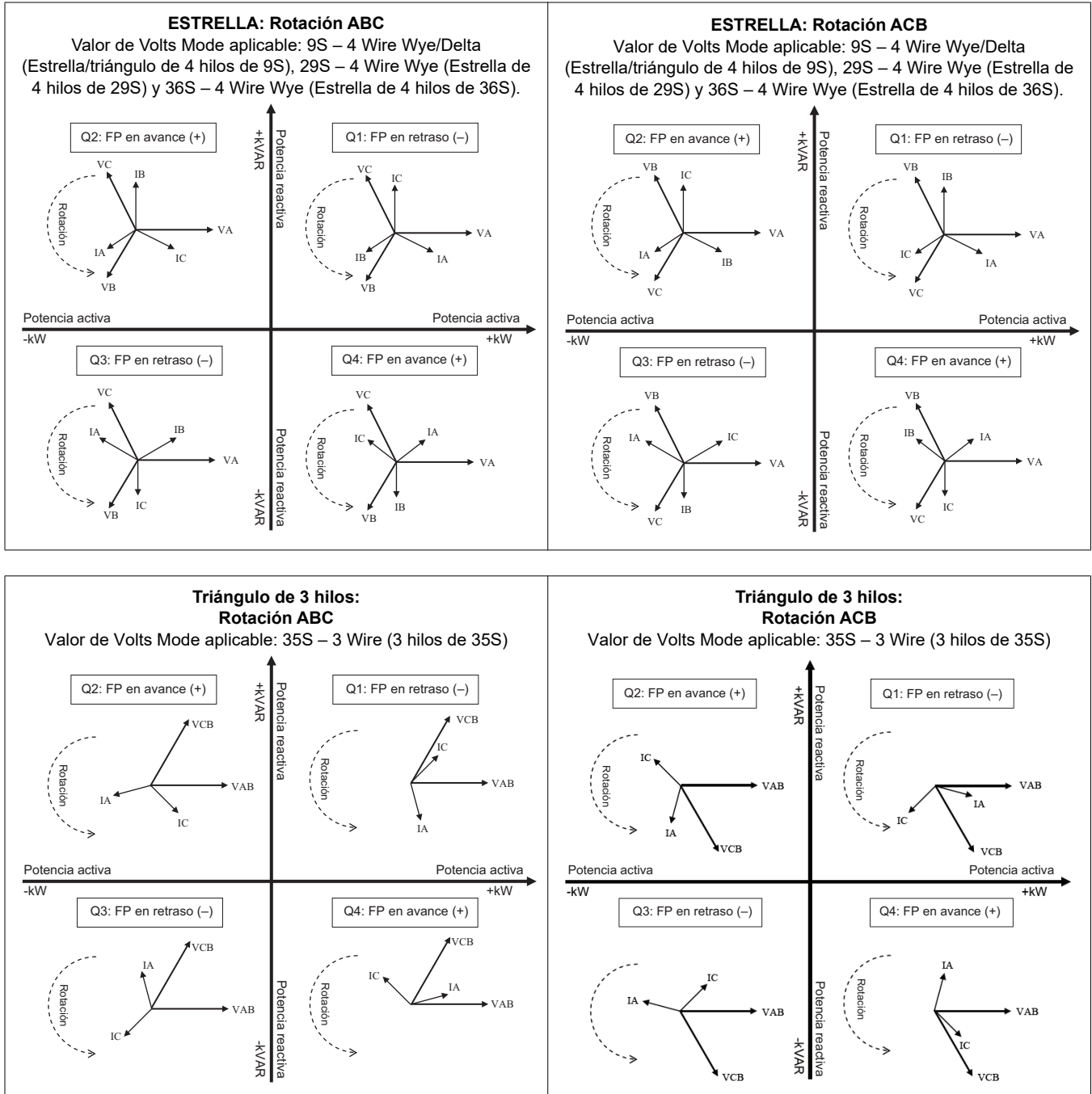
¹ Las mediciones de flicker sólo están disponibles en los modelos ION8650A (conjunto de funciones A) and ION8650B (conjunto de funciones B).

Modo TEST

El modo Test sirve para modificar ciertos parámetros de un medidor bloqueado por hardware o para verificar la precisión del medidor. Si desea obtener más detalles, consulte el *ION8650 user guide* (Manual del usuario del medidor ION8650) y la nota técnica *Verificación de la precisión del medidor ION8650*.

Paso 10: Uso de los diagramas fasoriales para verificar el cableado

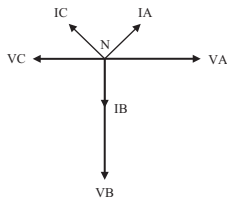
El diagrama fasorial se visualiza en el panel frontal del IONION8650 o mediante ION Setup. El visor de fasor de ION Setup sirve para verificar el cableado del medidor. Consulte la ayuda en línea de ION Setup para obtener detalles.



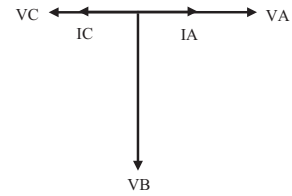
ESPAÑOL

Triángulo de 4 hilos (triángulo de extremo alto)

Diagrama fasorial del ION8650 en modo 9S – 4 Wire Wye/Delta en FP uno



Suponiendo que la carga trifásica es dominante.



La carga trifásica en triángulo está apagada. Sólo una carga monofásica.

Especificaciones

La información contenida en esta sección está sujeta a cambios sin previo aviso. Para obtener la información más reciente, póngase en contacto con el distribuidor local de Schneider Electric.

Ambientales

Nivel de contaminación	2
Altitud	Menos de 3000 m sobre el nivel del mar
Rango de funcionamiento	De -40 a 85 °C (ambiente en el interior). La temperatura ambiente máxima es de -40 a 70 °C.
Temperatura de funcionamiento de la pantalla	De -20 a 60 °C
Humedad	De 5% a 95% de humedad relativa (sin condensación)

Entradas de mediciones

Entradas de mediciones de tensión	Entradas	Forma 9S: Va, Vb, Vc, Vref	Forma 29S y 36S: Va, Vc, Vref	Forma 35S: Vab, Vcb, Vref	
	Sección de cable recomendada	5,26 mm ² (10 AWG)			
	Tensión nominal	Forma 9S, 29S y 36S: 57 a 277 V L-N rms (-20%,+25%) Forma 35S: 100 a 480 V L-L rms (-20%,+25%)			
	Tensión máxima: medidores con alimentación auxiliar	Forma 9S, 29S y 36S: 347 V L-N rms, 600 V L-L rms Forma 35S: 600 V L-L rms			
	Rigidez dieléctrica	2500 V rms, 60 Hz durante 1 minuto			
	Tensión de impulsos nominal	6 kV			
	Categoría de medición/instalación	CAT III			
	Rango de frecuencia fundamental de funcionamiento	42-69 Hz			
	Impedancia de entrada	5 MΩ/fase (de fase a Vref)			
	Fusible (aportado por el cliente)	2 A de acción retardada (consulte los diagramas de cableado)			
Entradas de mediciones de intensidad	Entradas	Forma 9S, 29S y 36S: Ia, Ib, Ic		Forma 35S: Ia, Ic	
	Sección de cable recomendada	5,26 mm ² (10 AWG)			
	Intensidad de arranque: clase 2/10/20	0,001 A rms			
	Carga máxima admisible	Hasta 24 A rms			
	Valores nominales de las entradas	ANSI C12.20: clases de intensidad combinadas 2, 10 y 20 IEC 62053-22: combinación 1 A y 5 A nominal, Imáx.= 20 A rms			
	Sobrecarga	500 A rms durante 1 s			
	Prueba de tipo de rigidez dieléctrica	2500 V rms, 60 Hz durante 1 minuto			
	Tensión máxima	600 V rms			
	Tensión de impulsos nominal	6 kV			
	Categoría de medición/instalación	CAT III			
Carga: clase 2/10/20	0,05 VA por fase a 5 A				
Tierra	Utilice cable de 2,08 mm ² (14 AWG)				
	Par de conector de tierra: 1,6 a 1,9 N·m (14 a 17 in-lbs)				

Fuente de alimentación: estándar (alimentación por palas)

Tipo	Trifásica (alimentada por las entradas de detección de tensión)
Valores nominales de las entradas	Forma 9S, 29S y 36S: 69 a 277 V L-N rms (120 a 480 V L-L rms), 42 a 69 Hz Forma 35S: 120 a 480 V L-L rms, 42 a 69 Hz
Tensión de impulsos nominal	6 kV
Carga	Normal: 3 W, 8 VA/fase, funcionamiento trifásico; Máxima: 4 W, 11 VA/fase, funcionamiento trifásico.
Ride-through: mínimo garantizado	6 ciclos a frecuencia nominal (mín. 50 Hz), a 120 V L-N rms (208 V L-L), funcionamiento trifásico

Fuente de alimentación: alimentación auxiliar (tensión estándar)

Tipo	Monofásica, alimentada mediante un cable externo con enchufe de alimentación NEMA 5-15 con puesta a tierra
Valores nominales de las entradas	CA: de 65 a 120 V L-N rms, de 42 a 69 Hz CC: de 80 a 170 VCC
Tensión de impulsos nominal	6 kV
Carga	Normal: 7 W, 14 VA; Máxima: 11 W, 18 VA.
Ride-through: mínimo garantizado	6 ciclos a frecuencia nominal (mín. 50 Hz), a 65 V L-N de tensión mínima

Fuente de alimentación: alimentación auxiliar (alta tensión)

Tipo	Monofásica, alimentada mediante un cable externo con enchufe de alimentación NEMA con puesta a tierra
Valores nominales de las entradas	CA: de 160 a 277 V L-N rms CC: de 200 a 390 VCC
Tensión de impulsos nominal	6 kV
Carga	Normal: 8 W, 14 VA; Máxima: 11 W, 19 VA.
Ride-through: mínimo garantizado	6 ciclos a frecuencia nominal (mín. 50 Hz), a 160 V L-N de tensión mínima

E/S incorporadas

Salidas digitales	Tipo	4 salidas de estado sólido de forma C (opción B y C de E/S) 1 salida de estado sólido de forma A (sólo con la opción C de E/S)
	Cable	1,3 a 0,13 mm ² (16 a 26 AWG)
	Tensión de carga máx.	130 VCA/200 VCC
	Intensidad de carga máx.	100 mA
	Resistencia (en funcionamiento)	30 Ω típica, 50 Ω máxima
	Resistencia (desactivada)	400 MΩ mínima
	Aislamiento	2000 V rms, 60 Hz durante 1 minuto (a tierra) 1000 V rms, 60 Hz durante 1 minuto (entre salidas)
	Tensión de impulsos nominal	2500 V punta (a tierra) 1500 V punta (entre entradas o salidas) (CAT II)
	Update Rate (Tasa de refresco)	20 ms (precisión = +/- 7 ms), sin incluir el retardo de comunicación. Los cambios de carga se producen dentro de plazos de 20 ms. 1/2 ciclo para las E/S internas.
	Tipo de señal	Continua o impulsos
	Fusibles	Protección mediante fusible de acción retardada de 100 mA (como fusibles Littlefuse serie 201 de 100 mA)
	Transición de salidas máx.	50 por segundo
	Amplitud de impulso mín.	1 ms
	Resolución de la temporización	1/2 ciclo o 1 s
Dispositivo de supresión de transitorios de las salidas digitales	Instalar según los diagramas de la sección, "Salidas digitales" en la página 67. El dispositivo de supresión de transitorios, proporcionado por el cliente, debe cumplir las siguientes especificaciones: Polarización = bidireccional. Tensión de avería = máximo 300 V. Disipación de potencia punta = 10 kW durante 10 microsegundos (mínimo) y 1,5 kW durante 1 milisegundo (mínimo).	
Latencia de cambio de estado	20 ms (salida digital) 40 ms (módulos de entrada digital)	
Esquemas de control	Utilice mecanismos intermedios de modo que se pueda desactivar el control de los relés para las tareas de mantenimiento.	
Entradas digitales	Tipo	3 entradas de forma A (opción B de E/S) 1 entrada de forma A (opción C de E/S) Autoexcitada, detección de contacto seco, no se requiere tensión externa. (Para excitación externa, el rango de funcionamiento es de 24 a 130 VCC.)
	Cable	Utilice cables apropiados para la aplicación.
	Tensión de carga máx.	30 VCC interna (suministrada) o 130 VCC externa
	Intensidad de carga máx.	100 mA
	Aislamiento	2000 V rms, 60 Hz durante 1 minuto (a tierra) 1000 V rms, 60 Hz durante 1 minuto (entre entradas)
	Tensión de impulsos nominal	2500 V punta (a tierra) 1500 V punta (entre entradas o salidas) (CAT II)
	Amplitud de impulso mín.	20 ms
	Velocidad de transición de entrada máx.	50 por segundo
	Tiempo de exploración	20 ms
	Resolución de la temporización	1 ms, con precisión de 2 ms
	Entradas	Activadas para una resistencia externa de 2 kΩ o inferior. Desactivadas para una resistencia externa de 4 MΩ o superior.

Comunicaciones

RS-232/RS-485	Cable DB9 (cable de conexiones) o conector DB9 (panel de conexiones)
RS-485	Cable de par trenzado blindado (cable de conexiones) o conector de conexión por resorte de muelle (panel de conexiones)
Módem analógico	Módem universal de 56k Cable de teléfono RJ11 que cumpla la sección 68 de la normativa de la FCC (cable de conexiones) o toma de teléfono RJ11 (panel de conexiones)
Módem celular	CDMA2000 1xRTT EV-DO Rev A (retrocompatible con redes EV-DO Rev. 0 y CDMA 1x) Banda dual 800/1900 MHz
Puerto óptico por infrarrojos	Puerto óptico ANSI Tipo II
RS-485	Cable de par trenzado blindado (cable de conexiones) o conector de conexión por resorte de muelle (panel de conexiones)
Ethernet	UTP Categoría 3 100BASE-T (mín) Multimodo 100BASE-FX con conectores ST macho (opción de fibra) Cable Ethernet RJ45 (cable de conexiones) o toma Ethernet RJ45 (panel de conexiones)
IRIG-B	Tensión nom. = 5 VCC +/- 10%. Tensión máx. = 8 VCC Cable de par trenzado blindado (cable de conexiones) de 0,33 mm ² (22 AWG) o conector de conexión por resorte de muelle (panel de conexiones)

Apéndice A Opciones adicionales de configuración

Seguridad del medidor

Desactivación/activación de la seguridad mediante el panel frontal

Desactivación de la seguridad

1. Seleccione la pantalla del menú de configuración "Security" (Seguridad). Seleccione "Disable Security" (Desactivar seguridad).
2. Introduzca la contraseña del medidor cuando se le indique. Seleccione "Proceed" (Continuar). Seleccione "Yes" (Sí) para confirmar.
3. Seleccione "Return" (Volver) dos veces para volver a la pantalla normal.

Activación de la seguridad

Para activar la seguridad del medidor, primero debe modificar la contraseña del medidor:

1. Seleccione la pantalla del menú de configuración "Modify Passwd" (Modificar contraseña). Utilice el botón de navegación de flecha arriba o flecha abajo para cambiar la contraseña. Pulse el botón redondo para establecerla. Seleccione "Yes" (Sí) para confirmar.
2. Seleccione la pantalla del menú de configuración "Disable Security" (Desactivar seguridad).
3. Introduzca la nueva contraseña. Seleccione "Proceed" (Continuar) para establecerla. Seleccione "Yes" (Sí) para confirmar.
4. Seleccione "Return" (Volver) dos veces para volver a la pantalla normal.

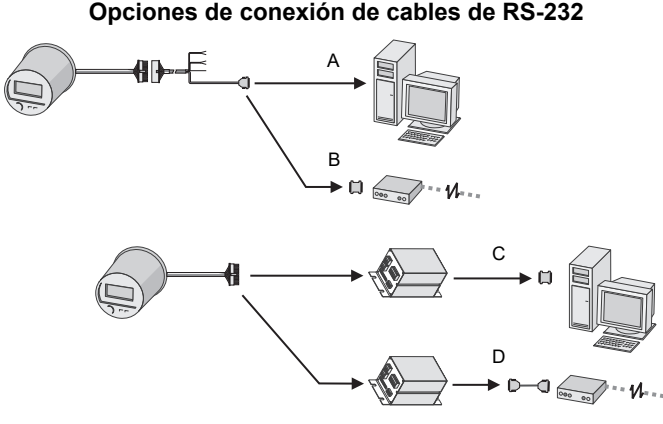
 **NOTA**

Esta función sólo está disponible con la seguridad básica. Si intenta usar esta función cuando está activada la seguridad avanzada, aparecerá el mensaje NOT AVAILABLE (NO DISPONIBLE).

ESPAÑOL

Conexiones RS-232

Utilice el diagrama adecuado de los que figuran a continuación para conectar las comunicaciones RS-232 del medidor.

Opciones de conexión de cables de RS-232	
	<p>A Directamente al ordenador</p> <p>Enchufe el conector Molex de 24 pines al cable de conexiones de comunicación. Enchufe el conector DB9 del cable de conexiones al puerto serie del ordenador. Si es necesario, utilice un cable pasante al módem para prolongar el cable.</p>
	<p>B Directamente al módem externo</p> <p>Enchufe el conector Molex de 24 pines al cable de conexiones de comunicación. Enchufe el conector DB9 del cable de conexiones a un cable de módem nulo. Enchufe el otro extremo de este cable al módem externo.</p>
	<p>C Del módulo de expansión de E/S al ordenador</p> <p>Enchufe el conector Molex de 24 pines al módulo de expansión de E/S. Utilice un cable de módem nulo para conectar el conector DB9 del módulo de expansión de E/S al puerto serie del ordenador.</p>
	<p>D Del módulo de expansión de E/S al módem externo</p> <p>Enchufe el conector Molex de 24 pines al módulo de expansión de E/S. Utilice un cable pasante al módem para conectar el conector DB9 del módulo de expansión de E/S al módem externo.</p>

Desactivar/Activar los puertos COM desde el panel frontal

Desde el punto de vista de la seguridad, se recomienda desactivar los puertos COM que no esté utilizando.

1. Mantenga pulsado el botón **ALT/ENTER** durante unos segundos. Aparecerá el menú SETUP (Configuración).
2. Use los botones de navegación para marcar al puerto COM que desea configurar (de COM1 a COM4) y pulse **ALT/ENTER** para seleccionarlo.
3. Use los botones de navegación para marcar la configuración del Protocolo y pulse **ALT/ENTER** para seleccionarla.
4. Seleccione "None" (Ninguno) en la lista de protocolos disponibles.
5. Seleccione "YES" (Sí) para confirmar el cambio.

Desactivar/Activar los puertos Ethernet desde el panel frontal

Desde el punto de vista de la seguridad, se recomienda desactivar los puertos Ethernet que no esté utilizando.

1. Mantenga pulsado el botón **ALT/ENTER** durante unos segundos. Aparecerá el menú SETUP (Configuración).
2. Use los botones de dirección arriba y abajo para seleccionar NETWORK SETUP (Configuración de red) y pulse **ALT/ENTER**.
3. Desplácese hasta PORT ENABLE (Activar puerto) y pulse **ALT/ENTER**.
4. Seleccione el puerto que desea cambiar y pulse **ALT/ENTER**. Seleccione "Yes" (Sí) para activar el puerto y "No" para desactivarlo.
5. Seleccione "YES" (Sí) para confirmar el cambio. Escriba la contraseña del medidor cuando se le indique.

Conmutación de los puertos de comunicaciones activos en el modelo ION8650C (conjunto de funciones C)

El modelo de medidor ION8650 admite comunicaciones simultáneas en el puerto óptico y en un máximo de otros dos puertos de comunicaciones. Si encargó con este medidor las opciones de Ethernet y/o de módem interno, primero debe desactivar uno de los puertos de comunicaciones activos antes de activar otro en su lugar (por ejemplo, el puerto serie COM1).



NOTA

Para que el cambio del puerto de comunicaciones activo surta efecto, es necesario reiniciar el medidor.

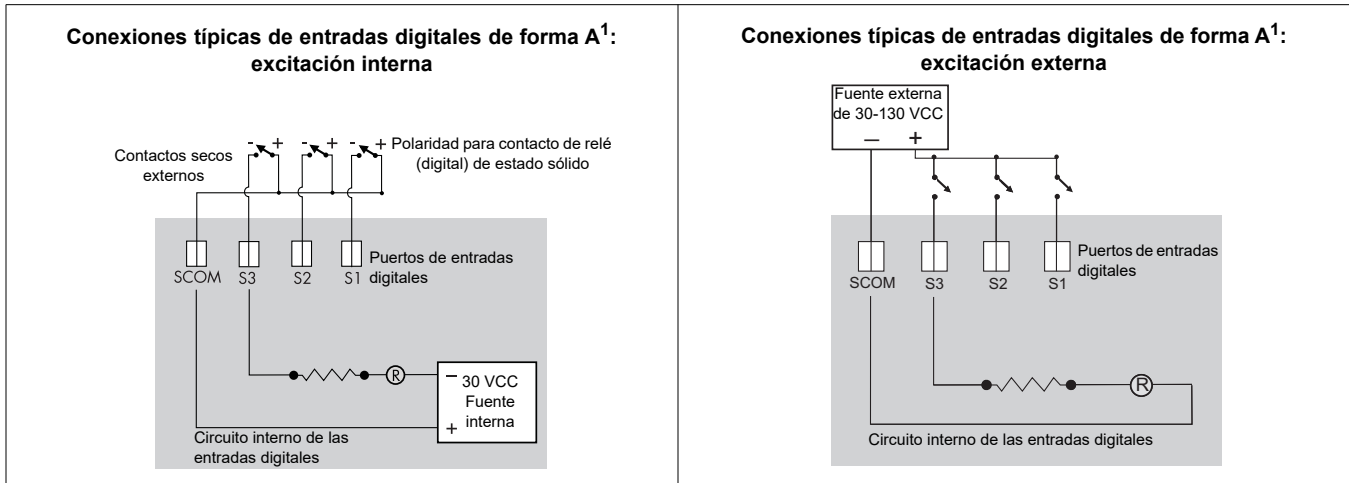
1. En el panel frontal, seleccione la pantalla del menú de configuración "ENABLED COM PORTS". Seleccione "CONTINUE" (Continuar). Seleccione "CONTINUE" (Continuar).
2. Seleccione el puerto de comunicaciones activo que desea desactivar (por ejemplo, Ethernet). Seleccione "DISABLED" (Desactivado). Escriba la contraseña del medidor cuando se le indique y, a continuación, seleccione "YES" para confirmar el cambio.
3. Seleccione el puerto de comunicaciones que desea activar (por ejemplo, COM1). Seleccione "ENABLED" (Activado). Seleccione "YES" (Sí) para confirmar el cambio.
4. Seleccione "REBOOT" (Reiniciar). Seleccione "YES" cuando se le indique. Introduzca la contraseña del medidor cuando se le indique.

Opción de E/S incorporadas

Para ver las especificaciones pormenorizadas de E/S, consulte la tabla de especificaciones “E/S incorporadas” en la página 62.

Entradas digitales

Para averiguar cuántas entradas digitales tiene el medidor, consulte el ejemplo de número de referencia en la sección “Cableado de E/S incorporadas opcionales” en la página 53. Las entradas digitales de forma A se configuran en fábrica como autoexcitadas (utilizan su propia fuente de alimentación interna).



¹ Estos diagramas muestran la opción B de E/S incorporadas.

Configuración de las entradas digitales para excitación externa

Siga las instrucciones descritas a continuación para cambiar la configuración de las entradas digitales de modo que utilicen una fuente de alimentación externa.

⚠ PELIGRO

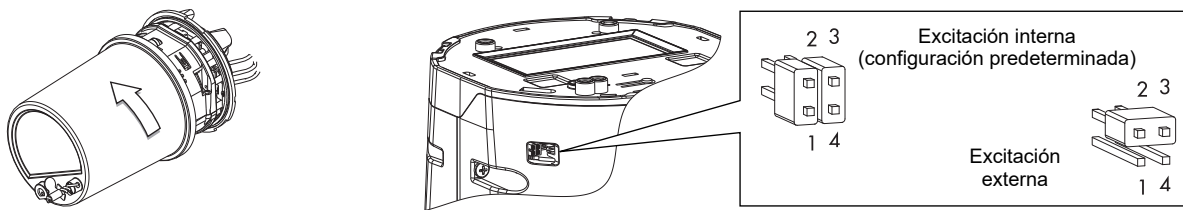
RIESGO DE DESCARGA ELÉCTRICA, EXPLOSIÓN O DESTELLO DE ARCO

- Utilice un equipo de protección individual (EPI) adecuado y siga las prácticas de seguridad de trabajo eléctrico. Consulte la normativa NFPA 70E para los EE. UU., CSA Z462 o la normativa local aplicable.
- Sólo el personal electricista cualificado puede instalar y reparar este equipo.
- Apague todas las fuentes de alimentación de este dispositivo y del equipo en el que está instalado antes de trabajar con ellos.
- Utilice siempre un voltímetro de rango adecuado para confirmar que el equipo está totalmente apagado.
- Los componentes del interior del medidor son extremadamente sensibles a las descargas electrostáticas. Adopte precauciones antiestáticas siempre que realice cualquier operación en el interior de la unidad.

El incumplimiento de estas instrucciones ocasionará la muerte o lesiones graves.

1. Desconecte y bloquee la alimentación. Utilice un voltímetro de rango adecuado para confirmar que el equipo está apagado.
2. Quite los dispositivos de precinto antimanipulación de la base del medidor.
3. Gire la cubierta de plástico ¼ de giro en el sentido contrario al de las agujas del reloj y quítela.

Los puentes y pines de excitación se encuentran en un hueco rebajado en la parte inferior izquierda del medidor.



4. Quite los dos puentes y coloque un puente en los pines 2 y 3 del cabezal de 4 pines. Conserve el otro puente para futuros usos.
5. Vuelva a poner la cubierta de plástico y los precintos antimanipulación.

La excitación interna de las entradas digitales incorporadas se habrá desactivado; se podrá utilizar una fuente de alimentación externa para los contactos externos. Para obtener más detalles, consulte la tabla de especificaciones "E/S incorporadas" en la página 62.

Salidas digitales

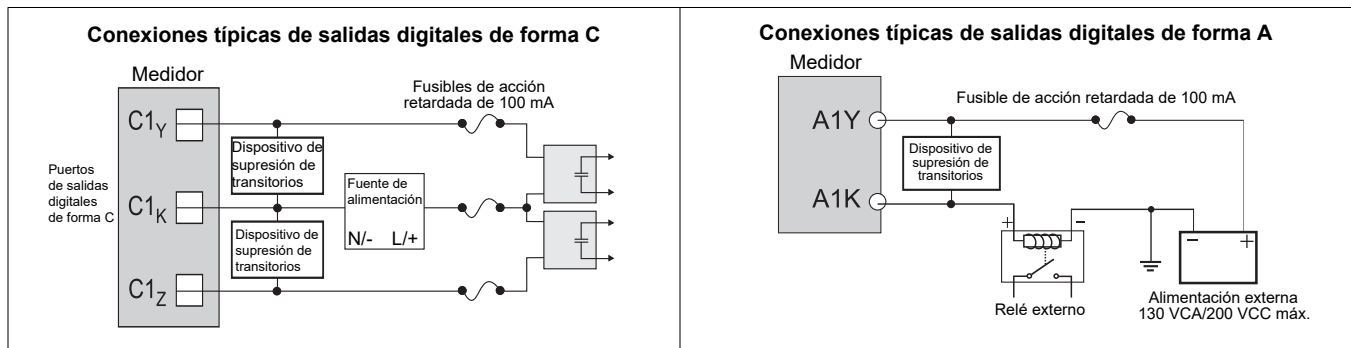
⚠ ADVERTENCIA

RIESGO DE FUNCIONAMIENTO IMPREVISTO

No utilice este dispositivo en aplicaciones críticas de control o protección en las que la seguridad de las personas o equipos dependa del funcionamiento del circuito de control.

El incumplimiento de estas instrucciones ocasionará la muerte o lesiones graves.

Para averiguar cuántas salidas digitales tiene el medidor, consulte el ejemplo de número de referencia en la sección "Cableado de E/S incorporadas opcionales" en la página 53.



Informations de sécurité

Informations importantes

Lisez attentivement ces directives et examinez l'appareil afin de vous familiariser avec lui avant l'installation, l'utilisation ou l'entretien. Les messages spéciaux suivants peuvent apparaître dans ce manuel ou sur l'appareil pour prévenir de dangers potentiels ou pour attirer l'attention sur des informations qui clarifient ou simplifient une procédure.



L'ajout d'un de ces symboles à une étiquette de sécurité «Danger» ou «Avertissement» indique qu'il existe un danger électrique qui peut entraîner des blessures si les instructions ne sont pas respectées.



Ceci est le symbole d'alerte de sécurité. Il sert à vous avertir d'un danger potentiel de blessures corporelles. Respectez toutes les consignes de sécurité accompagnant ce symbole pour éviter tout risque potentiel de blessure ou de mort.

DANGER

DANGER indique une situation dangereuse qui, si elle n'est pas évitée, **entraînera** la mort ou des blessures graves.

AVERTISSEMENT

AVERTISSEMENT indique une situation dangereuse qui, si elle n'est pas évitée, **pourrait entraîner** la mort ou des blessures graves.

ATTENTION

ATTENTION indique une situation dangereuse qui, si elle n'est pas évitée, **pourrait entraîner** des blessures mineures ou modérées.

AVIS

AVIS s'emploie pour aborder des pratiques non liées aux blessures physiques.

Veillez noter

Les appareils électriques devraient être installés, utilisés, réparés et entretenus uniquement par du personnel qualifié. Schneider Electric n'assume aucune responsabilité pour toutes conséquences découlant de l'utilisation de ce matériel.

Une personne qualifiée est quelqu'un qui possède les capacités et les connaissances nécessaires à la construction, l'installation et l'utilisation d'équipements électriques et qui a reçu une formation de sécurité lui permettant d'éviter les dangers potentiels.

Avis

Informations juridiques

La marque Schneider Electric et toutes marques déposées de Schneider Electric Industries SAS dont il est question dans ce guide sont la seule propriété de Schneider Electric SA et de ses filiales. Elles ne peuvent être utilisées dans aucun but sans la permission écrite de leur propriétaire. Ce guide et son contenu sont protégés, au sens du code de la propriété intellectuelle français, ci-après "le Code", en vertu des lois sur les droits d'auteurs couvrant les textes, les dessins et les modèles, ainsi que par les lois sur les marques commerciales. Vous acceptez de ne pas reproduire, autrement que pour votre usage personnel et non commercial, comme défini dans le Code, tout ou une partie de ce guide sur quelque support que ce soit sans la permission écrite de Schneider Electric. Vous acceptez également de ne pas établir d'hyperliens vers ce guide ou son contenu. Schneider Electric n'accorde aucun droit ou licence pour l'utilisation personnelle et non commerciale de ce guide ou de son contenu, sauf une licence non exclusive pour le consulter "en l'état", à vos propres risques. Tous les autres droits sont réservés.

Les appareils électriques devraient être installés, utilisés, réparés et entretenus uniquement par du personnel qualifié. Schneider Electric n'assume aucune responsabilité pour toutes conséquences découlant de l'utilisation de ce matériel.

Comme les normes, spécifications et modèles changent de temps en temps, veuillez demander confirmation des informations données dans cette publication.

Avis FCC Paragraphe 15

Cet appareil a subi des essais et a été reconnu conforme aux limites imposées aux appareils numériques de classe B, selon le paragraphe 15 de la réglementation FCC (Commission fédérale des communications des États-Unis). Ces limites ont été établies afin d'assurer une protection raisonnable contre les interférences nuisibles dans une installation résidentielle. Cet appareil génère, utilise et peut rayonner une énergie de radiofréquence et, s'il n'est pas installé et utilisé suivant les instructions, peut causer des interférences nuisibles aux communications radio. Toutefois, il n'est pas garanti qu'il n'y aura aucune interférence dans une installation particulière. Si cet appareil cause des interférences nuisibles à la réception de la radio ou de la télévision, ce qui peut être déterminé en éteignant et allumant l'appareil, l'utilisateur est encouragé à tenter de corriger l'interférence en adoptant l'une des mesures suivantes ou plusieurs d'entre elles :

- ◆ Changer l'orientation de l'antenne de réception ou la déplacer.
- ◆ Augmenter la distance entre l'appareil et le récepteur.
- ◆ Connecter l'appareil à une prise d'un circuit différent de celui auquel le récepteur est connecté.
- ◆ Consulter le distributeur ou un technicien radio/TV qualifié.

L'utilisateur est prévenu que tous changements ou modifications non expressément approuvés par Schneider Electric pourrait annuler le droit de l'utilisateur à utiliser cet appareil.

CAN ICES-3(B) /NMB-3(B)

Avis FCC Paragraphe 68

Cet appareil est conforme au paragraphe 68 de la réglementation FCC et aux exigences adoptées par le Conseil Administratif pour les Connexions de Terminaux (ACTA). Sur le côté de cet appareil, il y a une étiquette avec, parmi d'autres informations, un identifiant du produit au format US : AAAEQ##TXXXX. S'il est demandé, ce numéro doit être fourni à la compagnie de téléphone.

Cet appareil utilise les prises suivante du Code Universel de Commande de Service ("USOC") : RJ11.

La fiche et la prise utilisées pour raccorder cet appareil au câblage du local et au réseau téléphonique doivent être en conformité avec le règlement FCC paragraphe 68 pertinent et les exigences adoptées par l'ACTA. Un cordon téléphonique et une fiche modulaire aux normes ou une prise modulaire aux normes est fournie avec ce produit.

L'indice d'équivalence de sonnerie (REN) est utilisé pour déterminer le nombre d'appareils qui peuvent être branchés sur une ligne téléphonique. Un nombre excessif de REN sur une ligne téléphonique peut faire en sorte que l'appareil ne sonne pas en réponse à un appel entrant. Dans la plupart des endroits, mais pas tous, la somme des REN ne devrait pas excéder cinq (5). Pour s'assurer du nombre d'appareils qui peuvent être branchés sur une ligne, comme déterminé par le total des REN, contactez la compagnie de téléphone locale. Le REN pour ce produit fait partie de l'identifiant du produit au format US : AAAEQ##TXXXX. Les chiffres représentés par ## sont le REN sans décimale (par ex. 03 est un REN de 0,3).

Si cet appareil, le wattmètre numérique avec modem interne, nuit au réseau téléphonique, la compagnie de téléphone vous préviendra à l'avance qu'il est possible que le service soit temporairement suspendu. Lorsqu'un avis préalable n'est pas pratique, la compagnie de téléphone vous préviendra dès que cela sera possible. Vous serez également prévenu de votre droit à présenter une réclamation auprès de la FCC si vous considérez que cela est nécessaire.

La compagnie du téléphone peut effectuer des changements à ses installations, équipements, opérations ou procédures qui pourraient affecter le fonctionnement de cet appareil. Si cela arrive, la compagnie du téléphone vous avertira suffisamment à l'avance pour que vous puissiez effectuer les modifications nécessaires et ne subissiez pas d'interruption de service.

Si vous avez des problèmes avec cet appareil, le wattmètre numérique avec modem interne, veuillez contacter Schneider Electric au 615-287-3400. Si cet appareil nuit au réseau téléphonique, la compagnie du téléphone peut vous demander de débrancher cet appareil jusqu'à ce que le problème soit résolu.

Cet appareil ne contient aucun composant susceptible d'être réparé par l'utilisateur.

La connexion aux services de ligne commune est sujette aux tarifications locales. Contactez la commission des services publics de l'état, la commission de la fonction publique ou la commission des corporations pour obtenir des informations.

Si vos locaux possèdent un équipement d'alarme spécialement câblé branché sur la ligne téléphonique, assurez-vous que l'installation de ce wattmètre numérique avec modem interne ne mette pas votre équipement d'alarme hors-service. Si vous avez des questions sur ce qui mettra hors-service le dispositif d'alarme, consultez votre compagnie de téléphone ou un installateur qualifié.

Avis de compatibilité réseau pour le modem interne

Le modem interne des compteurs pourvus de cette option est compatible avec les réseaux téléphoniques de la plupart des pays, à l'exception de l'Australie et de la Nouvelle-Zélande. Son utilisation dans certains pays peut nécessiter la modification des chaînes d'initialisation du modem interne. Si des problèmes apparaissent lors de l'utilisation du modem sur votre système de téléphone, veuillez contacter le Support Technique Schneider Electric.

Conformité de l'étalonnage

Schneider Electric certifie que ce produit est conforme aux spécifications publiées et qu'il a été étalonné et testé au moyen d'appareils et d'étalons identifiables de l'Institut national de normalisation et de technologie (NIST) aux États-Unis ou du Conseil national de recherche du Canada (NRC). Pour plus d'informations, reportez-vous au Certificat d'étalonnage du produit.

Conformité aux normes



Fabriqué par Schneider Electric SE

Général

Le PowerLogic™ ION8650 est un compteur de facturation avancé pour la mesure de l'électricité et l'énergie qui intègre un riche éventail de fonctions : enregistrement de journaux exhaustifs, mesures avancées de qualité de l'énergie, communications multiprotocole et multiport (dont IRIG-B). Des options d'E/S internes ou déportées sont également proposées.

Ce document décrit la procédure d'installation de la version à socle du compteur ION8650.

Recommandations pour une haute précision des mesures

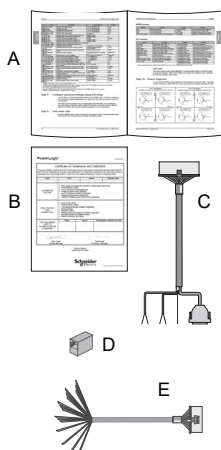
Dans les situations où l'amplitude et la qualité de la source de tension en entrée sont insuffisantes (par exemple dans des installations avec TP à faible plage nominale VA ou conducteurs particulièrement longs), il est recommandé d'utiliser un ION8650 à alimentation auxiliaire.

Informations supplémentaires

Pour plus d'informations sur le compteur ION8650, notamment pour le téléchargement de documentation et de logiciels, rendez-vous sur www.se.com. La documentation technique disponible comprend les titres suivants :

- ◆ *ION8650 Manuel d'installation du compteur de tableau* - contient des instructions de raccordement et d'installation pour la version tableau du compteur ION8650.
- ◆ *ION8650 Vérification de la précision* note technique - spécifie les critères et procédures de validation de la précision du compteur.
- ◆ *ION8650 Manuel d'utilisation* - contient des informations complètes sur le compteur : fonctionnement, mise à jour du logiciel embarqué, logiciels compatibles, communications, entrées/sorties, enregistrement de journaux, registres tarifaires, notification des alarmes et autres fonctions avancées.
- ◆ Modem cellulaire ION8650 - contient des informations sur les spécifications des modems cellulaires, leur configuration et activation.
- ◆ *Manuel d'installation de l'appareil d'extension E/S* décrit le module d'E/S externes en option que vous pouvez connecter au ION8650 pour augmenter le nombre des ports d'E/S logiques et de sorties analogiques.
- ◆ Documents d'options produit – Contiennent des informations spécifiques aux différentes options de produits que vous pouvez commander pour le compteur. Ils sont généralement fournis avec le produit.
- ◆ Notes techniques – Contiennent des instructions pour utiliser les fonctions du compteur et créer des configurations personnalisées.
- ◆ Fichier d'aide ION Setup. Explique comment utiliser le logiciel de configuration de compteurs ION Setup.
- ◆ *ION Reference*. Explique l'architecture ION et décrit le fonctionnement et le comportement des différents modules ION disponibles dans la gamme d'appareils ION et de logiciels ION.

Avant de commencer



1. Familiarisez-vous avec le contenu de ce manuel, en particulier les sections «Mesures de sécurité» page 74 et «Spécifications» page 95.
2. Retirez soigneusement le compteur de sa boîte. Le compteur sur socle est envoyé avec ce qui suit :

A	Le présent manuel d'installation	B	Certificat d'étalonnage du compteur
C	Câble de dérivation COM : Connecteur Molex femelle 24 broches vers DB9 femelle (RS-232), deux jeux de fils à paires torsadées (RS-485)		
D	Coupleur femelle/femelle Ethernet CAT5 en option (uniquement si vous avez commandé l'option Ethernet)		
E	Câble de dérivation E/S en option : connecteur Molex femelle 16 broches pour 16 fils nus à raccorder aux modules d'E/S (uniquement si vous avez commandé l'option E/S internes)		

3. Vérifiez que la référence qui figure sur l'étiquette d'identification avant correspond bien à la référence indiquée sur votre bon de commande ou d'achat (voir «Étiquette sur panneau avant» page 76) :

4. Vérifiez que le socle a bien été raccordé (conformément à la documentation du fabricant et aux normes électriques nationales et locales) et qu'il est compatible avec la configuration de broches du compteur (voir «Étiquette sur panneau avant» page 76) comme avec les types de services électriques pris en charge (voir «Étape 1 : Installation et raccordement du socle» page 79).
5. Vérifiez que vous disposez de tous les autres équipements et accessoires nécessaires à votre installation : convertisseur Ethernet ou RS-232 vers RS-485, câble optique, plombage de facturation, etc.

Outils recommandés

- ◆ Tournevis dynamométrique avec embouts cruciforme n° 2 et jeu de douilles
- ◆ Tournevis plat de précision
- ◆ Pince coupante, à dénuder et à sertir
- ◆ Mini-pince à bec effilé
- ◆ Logiciel de configuration de compteurs ION Setup (installez la dernière version téléchargeable sur le site)

Mesures de sécurité

L'installation, le raccordement, les essais et l'entretien doivent être effectués conformément aux normes électriques nationales et locales.

DANGER

RISQUE D'ÉLECTROCUTION, D'EXPLOSION OU D'ARC ÉLECTRIQUE

- Porter un équipement de protection individuelle (EPI) adapté et respecter les consignes de sécurité électrique courantes. Consulter la norme NFPA 70E, la norme CSA Z462 ou les autres normes locales.
- Couper toute alimentation de cet appareil et de l'équipement dans lequel il est installé avant de travailler sur ou dans l'équipement.
- Toujours utiliser un dispositif de détection de tension à valeur nominale appropriée pour s'assurer que l'alimentation est coupée.
- Ne pas dépasser les valeurs nominales maximales de cet appareil.
- Ne pas utiliser cet appareil pour le contrôle ou la protection critiques des personnes, des animaux, des biens ou des équipements.
- Ne pas court-circuiter les bornes de secondaire du transformateur de tension (TT).
- Ne pas ouvrir les bornes de secondaire du transformateur de courant (TC).
- Mettre à la terre le circuit secondaire des TC.
- Considérer le câblage des communications et des E/S comme sous tension et dangereux jusqu'à preuve du contraire.
- N'effectuez ni essai de rigidité diélectrique ni test d'isolement sur cet appareil.
- Raccordez la borne de terre de protection avant de mettre l'appareil sous tension.
- Remplacez tous les dispositifs, couvercles et portes avant de mettre l'appareil sous tension.

Le non-respect de ces instructions entraînera la mort ou des blessures graves.



REMARQUE

N'effectuez ni essai de rigidité diélectrique ni test d'isolement sur le ION8650. Les circuits internes de protection contre les surtensions commencent à fonctionner à des niveaux inférieurs aux tensions d'essai diélectrique habituelles. Pour plus d'informations sur les spécifications de l'équipement et les essais en usine, contactez votre représentant Schneider Electric.

Modèles disponibles

Le compteur ION8650 est disponible en trois modèles :

Modèle ¹	Mémoire	Enregistreurs de données	Description
ION8650A	128 MB	50 (800 voies)	Compteur de classe A pour l'analyse de la qualité de l'énergie avec détection des transitoires à 1024 échantillons/période, papillotement (flicker), prise en charge des captures d'onde de QÉ, interharmoniques, surveillance de la qualité de l'énergie selon EN50160 et configuration Modbus maître
ION8650B	64 MB	45 (720 voies)	Compteur de classe S avec surveillance de la qualité de l'énergie selon EN 50160 et configuration Modbus maître
ION8650C	32 MB	5 (80 voies)	Compteur de base pour la facturation de l'énergie

¹ Rendez-vous sur www.se.com pour plus d'informations sur ces différents modèles.

Options des compteurs

Le numéro de modèle (montré dans «Étiquette sur panneau avant» page 76) indique les options du compteur

Option	Code	Description
Alimentation¹ M 8 6 5 0 A 0 C 0 H 6 C 1 B 0 A	E	Alimentation triphasée (auto-alimentation) ²
	H	Alimentation auxiliaire – standard
	J	Alimentation auxiliaire – haute tension
Communications³ M 8 6 5 0 A 0 C 0 H 6 C 7 A 0 A	A0	Port optique sur panneau avant, RS-232/RS-485, RS-485
	C7	Port optique infrarouge sur panneau avant, RS-232/RS-485, RS-485, Ethernet ⁴ , modem interne
	E1	Port optique infrarouge sur panneau avant, RS-232/RS-485, RS-485, Ethernet ⁴
	F1	Port optique infrarouge sur panneau avant, RS-232/RS-485, RS-485, Ethernet (100BASE-FX multi-mode avec connecteurs ST)
	M1	Port optique infrarouge sur panneau avant, RS-232/RS-485, RS-485, modem interne
	S0	Port optique infrarouge sur panneau avant, RS-232/RS-485, RS-485, Ethernet ⁴ , modem cellulaire CDMA ⁵
	S1	Port optique infrarouge sur panneau avant, RS-232/RS-485, RS-485, Ethernet ⁴ , modem cellulaire LTE ⁵
E/S logiques internes⁶ M 8 6 5 0 A 0 C 0 H 6 C 1 B 0 A	A	Pas d'entrées/sorties logiques
	B	4 sorties logiques statiques de type C et 3 entrées logiques de type A
	C	4 sorties logiques statiques de type C, 1 sortie logique statique de type A, 1 sortie logique de type A
	D	Notification de panne Ethernet

¹ Reportez-vous à «Recommandations pour une haute précision des mesures» page 73, pour des recommandations au moment de choisir une option d'alimentation.

² L'alimentation triphasée standard est alimentée par les connexions de tension du compteur. Assurez-vous que votre réseau répond aux spécifications de tension en état stable du compteur.

³ Le modèle ION8650C peut communiquer simultanément par un maximum de 3 ports (port optique infrarouge plus 2 autres ports de communication). Les modèles ION8650A et ION8650B peuvent communiquer simultanément par tous les ports de communication.

⁴ Les communications Ethernet sont nécessaires pour certaines fonctions. Voir «Option Ethernet» page 84 pour une liste des services.

⁵ L'option avec modem cellulaire n'est disponible que pour le compteur sur socle.

⁶ Il est possible d'ajouter des entrées et sorties par le biais d'un module d'extension E/S (à commander séparément). Les E/S logiques internes ne sont pas disponibles sur le ION8650 avec option fibres.



REMARQUE

L'option fibres pour les communications requiert la version 404 (v404) du logiciel embarqué et le modèle d'usine v4.1.0.0.1 ou supérieur.

Étiquette sur panneau avant

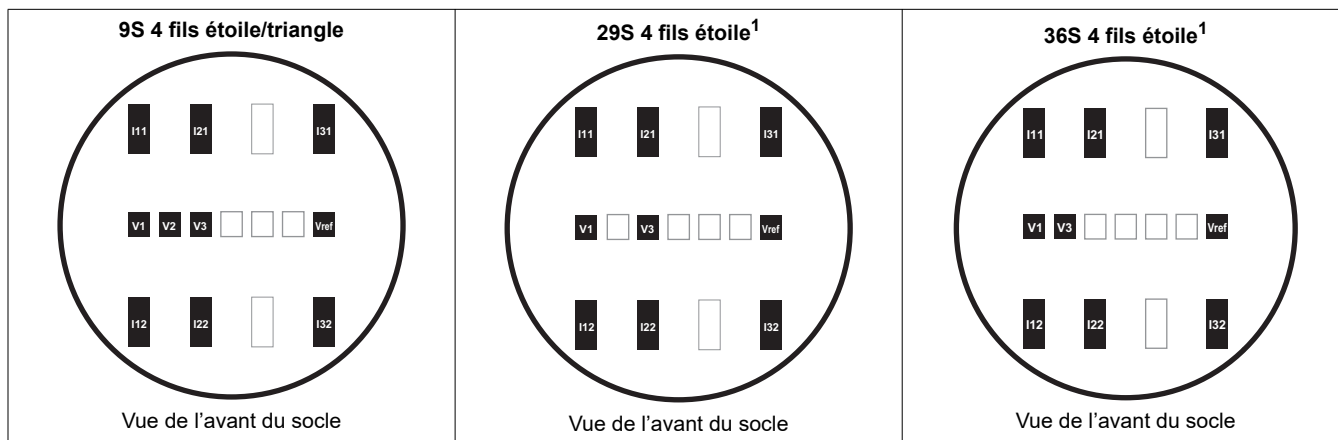
A	Ampérage d'essai		I	Rapport de transformateur de tension (VTR)
B	Classe de précision		J	Rapport de transformateur de courant (CTR)
C	Constante de test (fréquence impulsions LED)		K	Constante watt-heure primaire
D	Fréquence		L	Coefficient transformateur (VTR x CTR)
E	Plage de courant		M	Schéma interne du compteur (vue de l'avant)
F	Configuration de broches		N	Code à barres ANSI
G	Tension d'entrée nominale		O	Numéro de modèle
H	Configuration de câblage		P	Numéro de série

Présentation du panneau avant

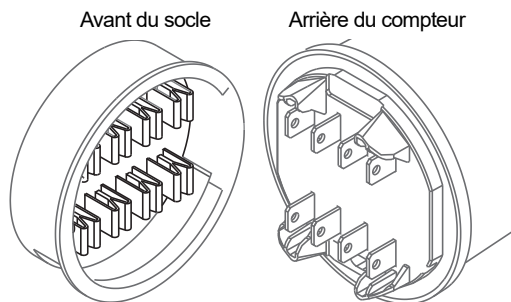
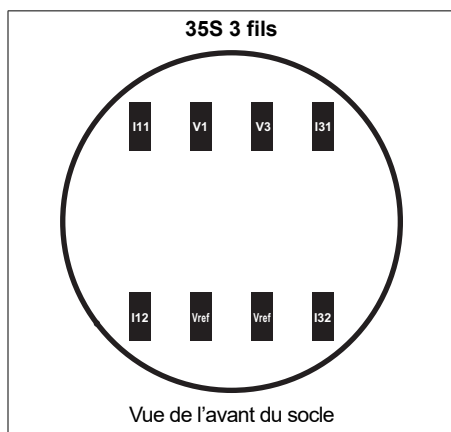
<p>Avant du compteur après dépose du couvercle</p>	A	Générateur d'impulsions, W : Ensemble de voyants LED (infrarouge, rouge) utilisé pour les impulsions d'énergie active.
	B	Générateur d'impulsions, VAR : Ensemble de voyants LED (infrarouge, rouge) utilisé pour les impulsions d'énergie réactive.
	C	Interrupteur de réinitialisation de demande : Réinitialise les valeurs de demande de pointe enregistrées dans le compteur. Activation possible avec le couvercle en place ou déposé.
	D	Bouton rond (ALT/ENTER) : Appuyez pour sélectionner une option en surbrillance. Permet également d'alterner entre les modes d'affichage NORM et ALT. Appuyez et maintenez pour passer en mode de configuration.
	E	Touches de navigation : Utilisez les touches haut et bas pour faire défiler les options et sélectionner un autre élément de menu ou pour augmenter/réduire la valeur en surbrillance. Appuyez sur la touche haut et maintenez pour déplacer le curseur vers la gauche. Appuyez sur la touche bas et maintenez pour déplacer le curseur vers la droite.
	F	Port optique infrarouge
	G	Bouton de réinitialisation générale : Encastré sous l'étiquette avant pour éviter une activation accidentelle. Il faut retirer le couvercle du compteur et son étiquette pour y accéder.
	H	Bouton de mode test : Situé sous le couvercle avant, ce bouton permet de mettre le compteur en mode test, avec arrêt de l'accumulation des grandeurs facturables.
	I	Écran à cristaux liquides du compteur

Configurations de broches du compteur sur socle

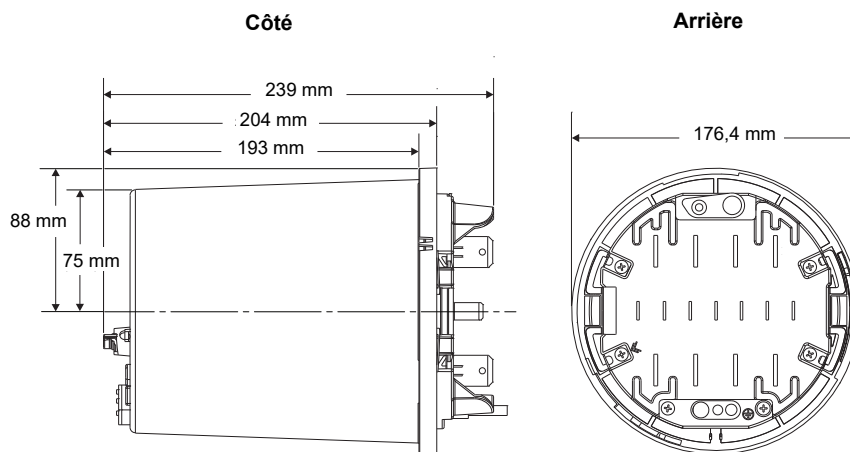
Le compteur sur socle est conçu pour s'adapter à un socle pour compteur électrique de base-S. Les configurations de broches disponibles sont 9S (compatible avec les socles 29S et 36S) et 35S.



¹ Vous pouvez utiliser le modèle à configuration de broches 9S comme compteur 29S ou 36S en sélectionnant le mode volts approprié. Voir «Étape 7 : Configuration du compteur à l'aide du panneau avant» page 88.



Dimensions du compteur sur socle



Installation

L'installation, le raccordement, les essais et l'entretien doivent être effectués conformément aux normes électriques nationales et locales.

DANGER

RISQUE D'ÉLECTROCUTION, D'EXPLOSION OU D'ARC ÉLECTRIQUE

- Porter un équipement de protection individuelle (EPI) adapté et respecter les consignes de sécurité électrique courantes. Consulter la norme NFPA 70E, la norme CSA Z462 ou les autres normes locales.
- Couper toute alimentation de cet appareil et de l'équipement dans lequel il est installé avant de travailler sur ou dans l'équipement.
- Toujours utiliser un dispositif de détection de tension à valeur nominale appropriée pour s'assurer que l'alimentation est coupée.
- Ne shuntez jamais un coupe-circuit externe. Installez des fusibles dans les circuits de mesure de tension et dans les circuits d'alimentation auxiliaire.
- Ne dépassez pas les caractéristiques nominales de l'appareil pour les limites maximales. Utilisez des transformateurs de potentiel (TP) ou de tension (TT) selon besoin.
- Ne court-circuitiez jamais le secondaire d'un transformateur de potentiel ou de tension.
- N'ouvrez jamais le circuit d'un transformateur de courant (TC) ; utilisez le bloc court-circuiteur pour court-circuiter les fils du TC avant de retirer le raccordement du compteur.
- Raccordez la borne de terre de protection avant de mettre l'appareil sous tension.
- Les raccordements électriques sur les bornes du compteur ne doivent pas être accessibles à l'utilisateur après l'installation.
- Remplacez tous les dispositifs, couvercles et portes avant de mettre l'appareil sous tension.

Le non-respect de ces ces instructions entraînera la mort ou des blessures graves.

Étape 1 : Installation et raccordement du socle

Pour les installations existantes, vérifiez que le raccordement et tous les éléments requis (fusibles, etc.) sont correctement installés et fonctionnels. Pour les nouvelles installations, conformez-vous aux normes électriques nationales et locales et reportez-vous à la démonstration fournie par le fabricant du socle.

Raccordement électrique

Installez des fusibles 2 A à temporisation (non fournis) dans les circuits d'entrée de mesure de tension comme indiqué dans les schémas de raccordement électrique ci-dessous. Le circuit d'alimentation auxiliaire, si applicable, doit lui aussi être muni d'un fusible. Voir «Étape 4 : Raccordement de l'alimentation auxiliaire en option» page 84 pour les détails.

Utilisation de transformateurs de potentiel

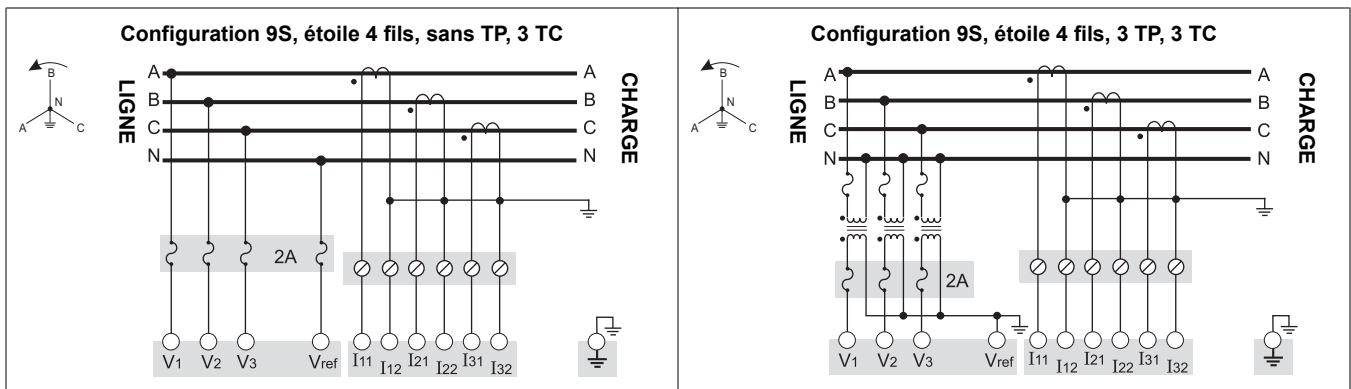
Tension nominale d'un système en étoile	Requiert PT
120 V CA L-N ou 208 V CA L-L	Non
277 V CA L-N ou 480 V CA L-L	Non
347 V CA L-N ou 600 V CA L-L	Oui
Supérieure à 347 V CA L-N ou 600 V CA L-L	Oui

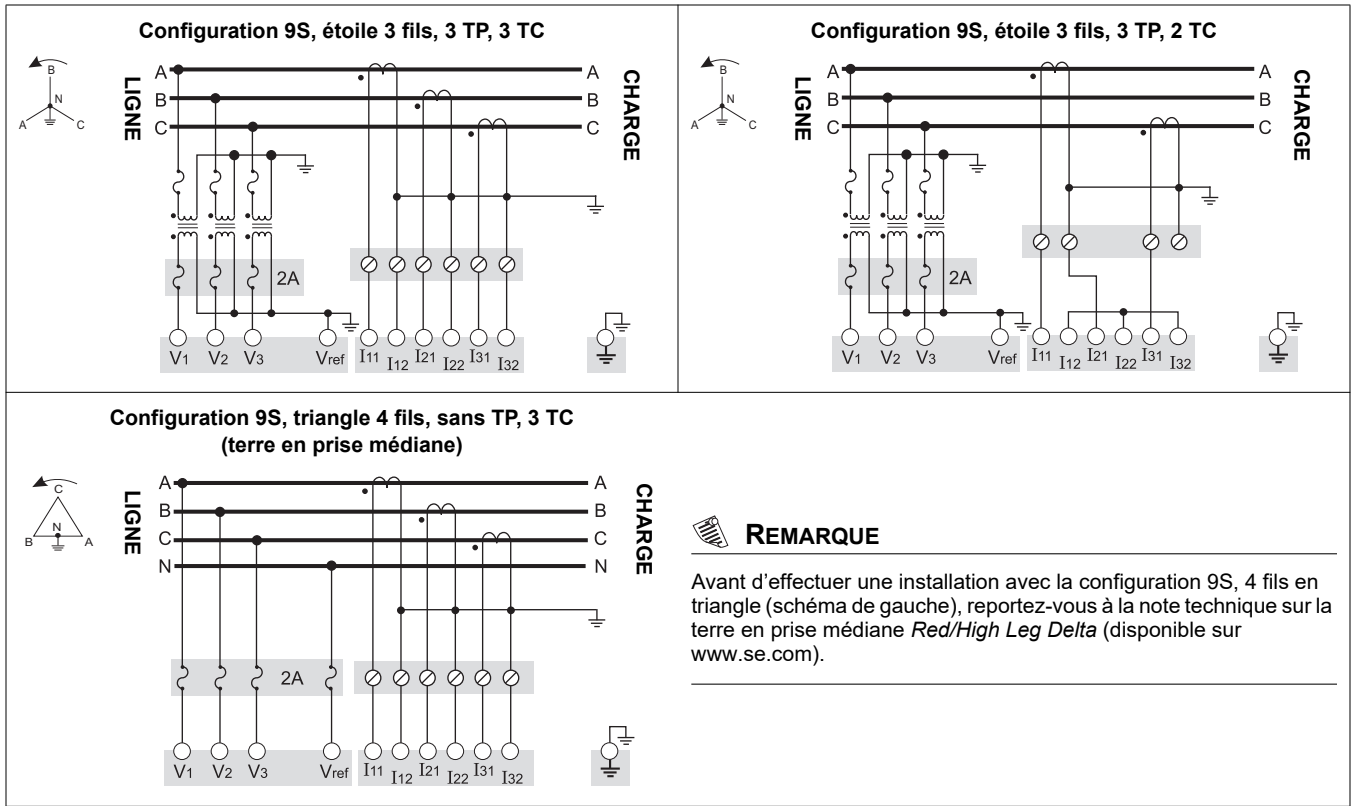
Tension nominale d'un système en triangle	Requiert PT
Jusqu'à 480 V CA L-L	Non
Supérieure à 480 V CA L-L	Oui

Les diagrammes suivants illustrent les conventions de raccordement courantes pour les types de services électriques pris en charge par les configurations de broches du compteur ION8650. Après avoir terminé le raccordement électrique, le montage et la procédure d'installation, reportez-vous à «Étape 10 : Vérification du raccordement à l'aide des diagrammes de phaseur» page 93, pour plus d'informations sur le fonctionnement du compteur et les différents systèmes et modes volts, ainsi que pour la vérification du câblage de phase correct.

Configuration 9S (3 éléments)

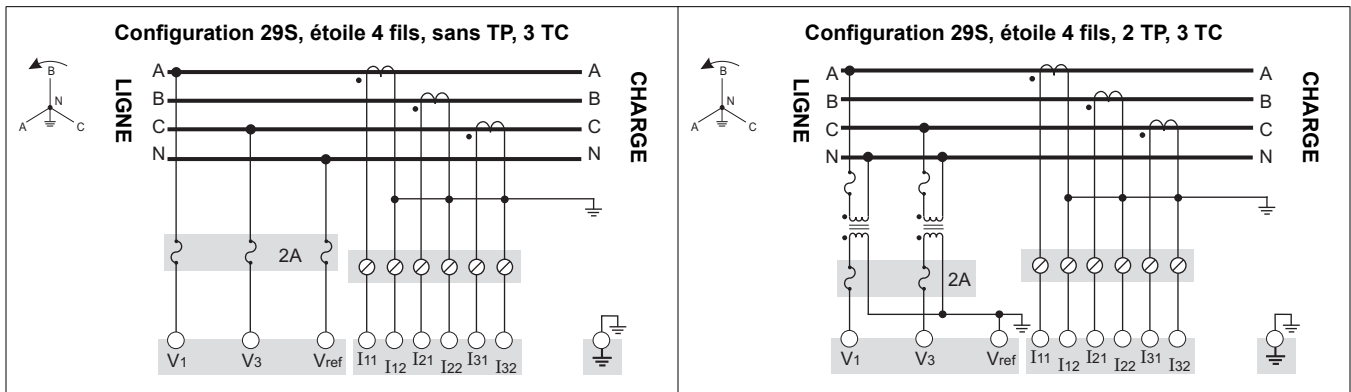
Réglez le mode volts du compteur sur **9S 4 fils étoile/triangle**. Plage de mesure de la tension :





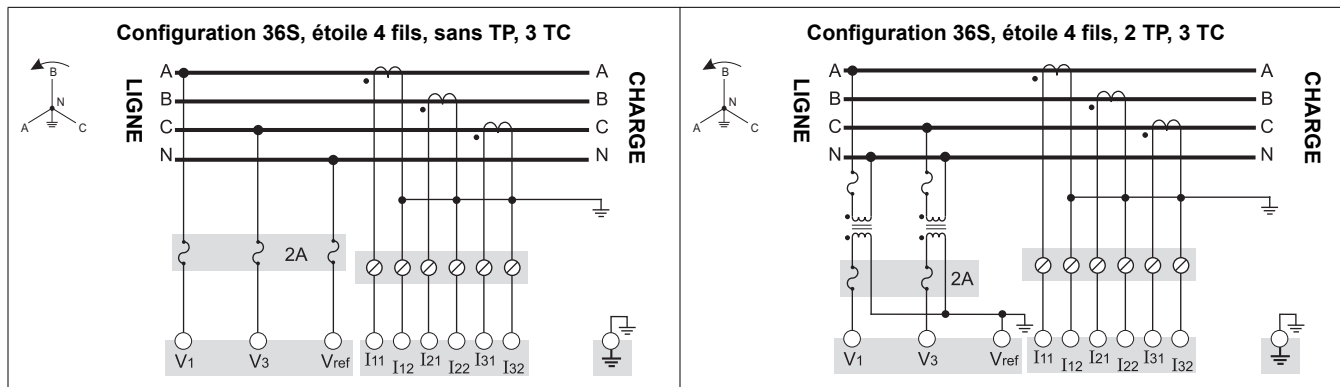
Configuration 29S (2½ éléments)

Réglez le mode volts du compteur sur **29S 4 fils étoile**. Plage de mesure de la tension : 57-277 V L-N.



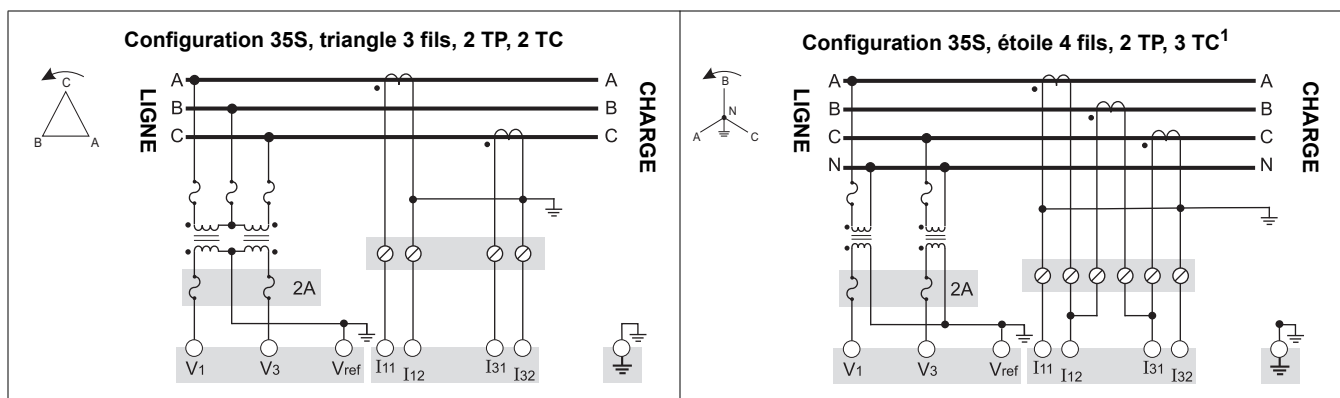
Configuration 36S (2½ éléments)

Réglez le mode volts du compteur sur **36S 4 fils étoile**. Plage de mesure de la tension : 57-277 V L-N.



Configuration 35S (2 éléments)

Réglez le mode volts du compteur sur **35S - 3 fils**. Plage de mesure de la tension : 120-480 V L-L.



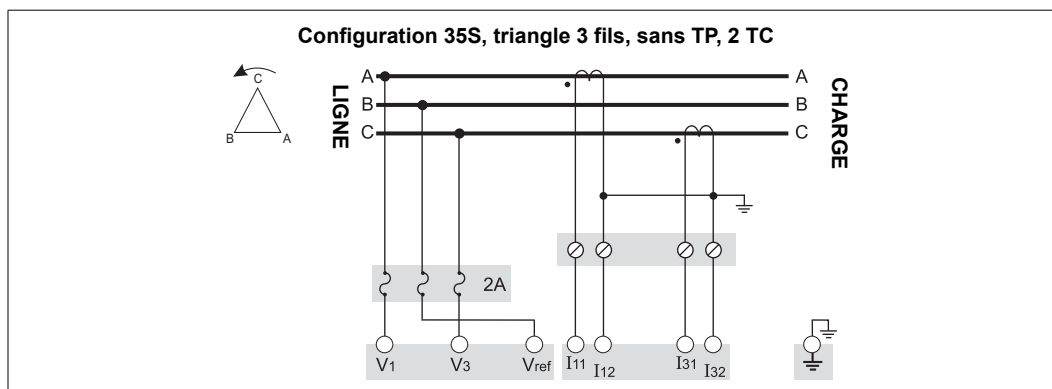
¹ Cette configuration peut affecter certains calculs de paramètres du compteur. Contactez le Technical Support Service clientèle pour plus de détails.

⚠ DANGER

RISQUE D'ÉLECTROCUTION, D'EXPLOSION OU D'ARC ÉLECTRIQUE

Ne connectez jamais Vref à la terre si vous utilisez le diagramme de raccordement de la configuration 35S, triangle 3 fils, sans TP, 2 TC.

Le non-respect de ces ces instructions entraînera la mort ou des blessures graves.



Étape 2 : Préparation de la mise à la terre

⚠ DANGER

RISQUE D'ÉLECTROCUTION, D'EXPLOSION OU D'ARC ÉLECTRIQUE

- La masse du compteur doit être connectée à une terre de protection.
- Ne pas mettre le compteur sous tension avant d'avoir relié la borne de masse à la terre.

Le non-respect de ces ces instructions entraînera la mort ou des blessures graves.

La mise à la terre correcte du compteur est nécessaire pour les motifs suivants :

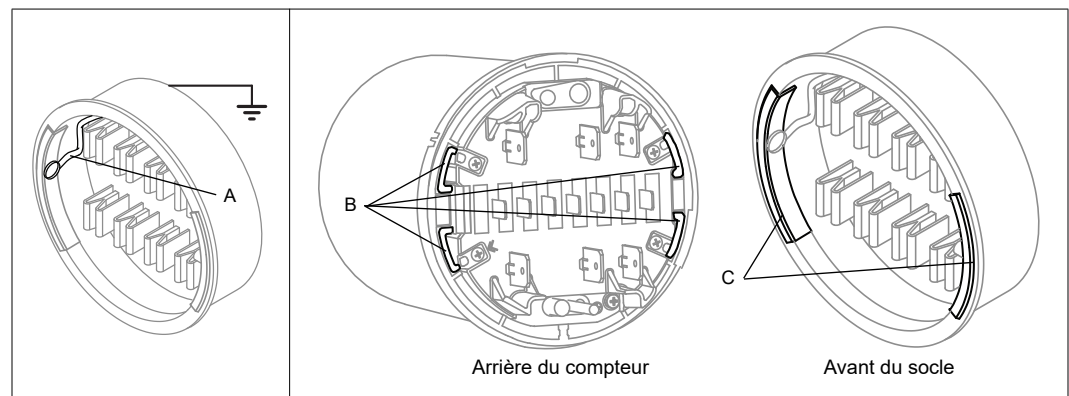
- ◆ Établir une connexion sûre à la terre de protection
- ◆ Protéger les circuits électroniques du compteur
- ◆ Préserver la précision du compteur
- ◆ Filtrer les bruits dans le compteur
- ◆ Assurer le bon fonctionnement des ports de communication
- ◆ Assurer la conformité avec les réglementations locales et nationales

Méthodes de mise à la terre

Vous pouvez utiliser l'une ou l'autre des deux méthodes de mise à la terre décrites ci-dessous.

Méthode de mise à la terre 1 : par les contacts de masse du socle

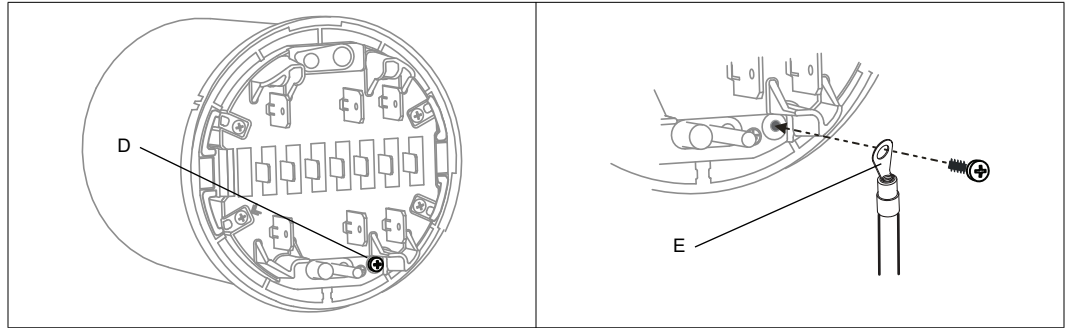
1. Reliez la masse du socle à la terre par un fil de 3,31 mm² (A) (12 AWG).
2. Inspectez et nettoyez les contacts de masse (C) à l'avant du socle. Retirez toute trace de peinture, de rouille ou d'autres revêtements ou contaminants susceptibles de gêner le raccordement électrique aux contacts de masse du compteur (B).



3. Assurez-vous que les contacts de masse du compteur (B) sont alignés avec ceux du socle (C) afin d'obtenir une connexion correcte après montage du compteur.

Méthode de mise à la terre 2 : par la borne de masse du compteur

1. Sertissez un connecteur circulaire sur un fil de masse de bonne qualité de calibre 3,31 mm² (12 AWG).
2. À l'aide d'un tournevis cruciforme n° 2, retirez la borne de masse du compteur (D).



3. Fixez le fil de masse (E) au compteur via la borne de masse. Serrez à un couple de 1,6 à 1,9 N·m.
4. Passez à «Étape 3 : Montage du compteur» page 83, en faisant délicatement passer le fil de masse et les autres câbles par l'ouverture du socle. Raccordez la masse du compteur à la terre.

Étape 3 : Montage du compteur

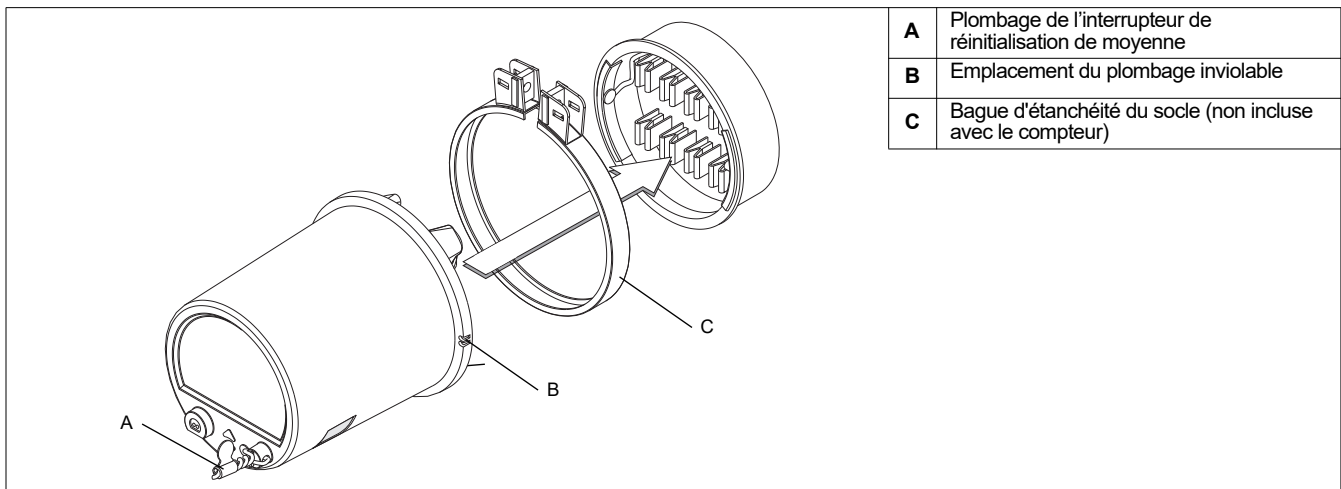
1. Coupez et isolez complètement l'alimentation. Utilisez un dispositif de détection de tension adéquat pour vérifier que l'alimentation est coupée.
2. Faites passer le câblage E/S et communications ainsi que le fil de masse (si applicable, voir «Méthode de mise à la terre 2 : par la borne de masse du compteur» page 82) par l'ouverture du socle, en laissant assez de mou dans les câbles pour permettre l'entretien ultérieur.



REMARQUE

Selon le type de socle, vous devrez peut-être desserrer les vis du socle pour faire passer les câbles.

3. Poussez le compteur à fond dans le socle en veillant à ne pas pincer ou écraser un fil ou un câble.
4. Le cas échéant, insérez un plombage inviolable dans le couvercle externe du compteur.
5. Si nécessaire, fixez l'anneau de plombage du socle et plombez l'interrupteur de réinitialisation de moyenne.



Étape 4 : Raccordement de l'alimentation auxiliaire en option

Cette section ne s'applique que si vous avez commandé l'option d'alimentation auxiliaire pour votre compteur.

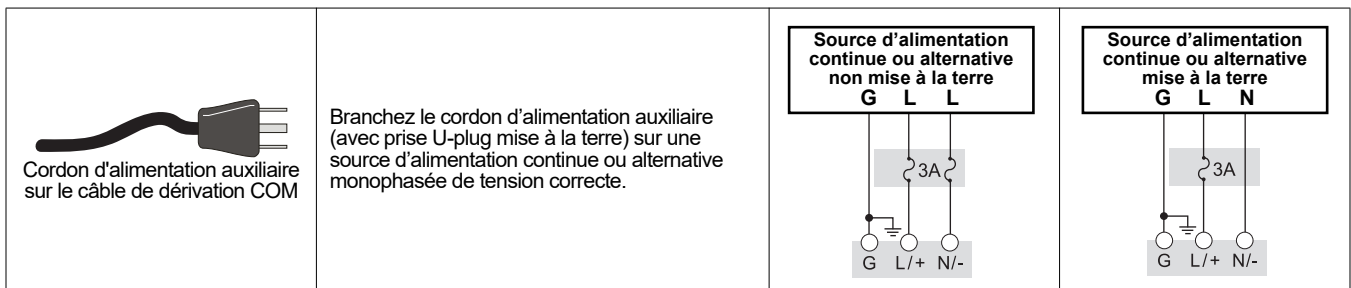
⚠ DANGER

RISQUE D'ÉLECTROCUTION, D'EXPLOSION OU D'ARC ÉLECTRIQUE

- Coupez toute alimentation électrique de l'appareil et de l'équipement dans lequel il est installé avant toute intervention.
- Utilisez toujours un appareil de vérification de tension correctement calibré pour vérifier que l'alimentation est coupée.
- Vérifiez que la source d'alimentation du compteur est conforme aux spécifications de l'option d'alimentation de votre compteur.

Le non-respect de ces ces instructions entraînera la mort ou des blessures graves.

- ◆ Installez un fusible à temporisation de calibre approprié 3 A (non fourni) sur la borne L/+.
- ◆ N'installez pas de fusible sur la borne d'alimentation N/- du compteur si cette borne est mise à la terre.
- ◆ Raccordez la borne G à la terre.



Étape 5 : Raccordement des communications et des E/S en option

⚠ AVERTISSEMENT

RISQUE LORS D'UTILISATIONS NON PRÉVUES

N'utilisez pas cet équipement pour les applications critiques de commande ou de protection dans lesquelles la sécurité du personnel ou de l'équipement dépend du fonctionnement du circuit de commande.

Le non-respect de ces ces instructions peut entraîner la mort ou des blessures graves.



Port optique avant

Utilisez un câble optique CEI type II pour communiquer avec le port infrarouge avant du compteur.

Option Ethernet

Voici les paramètres par défaut du port de service IP pour les communications Ethernet.



ION sur TCP	Modbus RTU	EtherGate (COM1)	EtherGate (COM4)	Modbus TCP	DNP sur TCP	FTP	IEC61850
7700	7701	7801	7802	502	20000	21	102

REMARQUE

Les paramètres du port Ethernet sont configurables. Voir le *Manuel de l'utilisateur de PowerLogic ION8650* pour d'autres informations sur le changement d'affectations de ports Ethernet.

Raccorder l'option fibres

Lorsque vous raccordez la carte comm de l'option fibres, terminez les connecteurs ou fils de la façon suivante :

Connexion de port	Ethernet
Câble	fibre optique multi-mode 62,5/125
Longueur	68,6 mm (27 in)
Longueur maximale	2000 m (6562 ft)
Type de connecteur	Connecteurs ST sur fibre-amorce
Orange (Tx) à Rx 	Attachez l'orange (Tx) pour recevoir (Rx)
Noir (Rx) à Tx 	Attachez le noir (Rx) pour transmettre (Tx)
Débit des données	100 Mbps
Isolement	Optique
Raccorder à	Port Ethernet réseau local/étendu

Modèle ION8650C

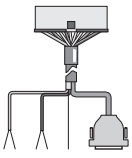



Sur le modèle ION8650C, il est possible d'activer un maximum de deux ports de communication en plus du port optique avant. Le tableau ci-dessous indique les ports activés en usine :

Option de communication	Code	Port de communication activé en usine ¹
M 8 6 5 0 C 0 C 0 H 6 C7 A 0 A	A0	RS-232/RS-485 et RS-485
	C7	Ethernet et modem interne (RS-232/RS-485 et RS-485 désactivés)
	E1	RS-485 et Ethernet (RS-485 désactivé)
	F1	RS-485 et Ethernet (RS-485 désactivé)
	M1	RS-232/RS-485 et modem interne (RS-485 désactivé)
	S0	Port optique infrarouge sur panneau avant, RS-232/RS-485, RS-485, Ethernet, modem cellulaire ²

¹ Voir «Options des compteurs» page 75 pour une liste complète des options de communications disponibles.

² L'option avec modem cellulaire n'est disponible que pour le compteur sur socle.

1. Si vous n'utilisez pas le module d'extension E/S dans votre installation, connectez le câble de dérivation COM au câble du compteur terminé par un connecteur Molex 24 broches.
2. Les connecteurs et fils doivent être munis de terminaisons comme suit :

	Connexion de port	Fil ou connecteur	Raccorder à
 COM de dérivation câble	COM1 (RS-232) ¹	Connecteur DB9 (du câble de dérivation)	Port série RS-232 de l'ordinateur
	COM1 (RS-485) ²	Fil blanc (du câble de dérivation)	RS-485 données +
		Fil noir (du câble de dérivation)	RS-485 données –
	Blindage commun RS-485	Fil nu (du câble de dérivation)	Blindage RS-485 (COM1 et COM4)
	COM4 (RS-485)	Fil rouge (du câble de dérivation)	RS-485 données +
Fil noir (du câble de dérivation)		RS-485 données –	
	COM2 (modem)	Connecteur RJ-11	Ligne téléphonique du modem
	Ethernet	Connecteur RJ-45	Port Ethernet réseau local/étendu
	IRIG-B ³	Fil rouge	IRIG-B (+)
		Fil noir	IRIG-B (-)

¹ Reportez-vous à la section «Liaisons RS-232» page 98 pour plus d'informations sur les connexions RS-232.

² Pour les communications RS-485, utilisez un adaptateur Ethernet vers RS-485 ou RS-232 vers RS-485. Reportez-vous à la documentation de l'adaptateur pour plus d'informations.

³ IRIG-B ne peut pas être configuré depuis le panneau avant du compteur. Reportez-vous à la note technique Synchronisation GPS IRIG-B pour les procédures de configuration

REMARQUE

Si un connecteur modem ou Ethernet est recouvert d'un capuchon, l'option de communication en question n'est pas disponible sur votre compteur. Étiquetez l'extrémité du câble pour indiquer clairement que l'option n'est pas disponible.

Option d'extension E/S

Si vous utilisez un module d'extension E/S dans votre installation, connectez le câble du compteur terminé par un connecteur Molex 24 broches directement au module d'extension. Vous ne devez pas utiliser le câble de dérivation COM dans ce cas. Reportez-vous au Manuel d'installation de l'appareil d'extension E/S pour plus d'informations sur la terminaison des connecteurs de communication.

Brochage du connecteur Molex 24 broches

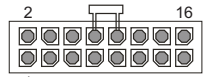
Le tableau ci-dessous décrit le câblage des communications série au connecteur Molex 24 broches. Suivez ces instructions si vous souhaitez raccorder les communications série du compteur sans utiliser le câble de dérivation COM :

Fonction	Couleur ou rayures du fil	Broche ¹		Couleur ou rayures du fil	Fonction
COM4 RS-485 données +	Blanc/bleu	1	2	Bleu/blanc	COM4 RS-485 données –
N/A – ne pas utiliser	Noir/bleu	3	4	Noir	COM1 RS-232 CTS
COM1 RS-232 CD	Blanc	5	6	Rouge	COM1 RS-232 RXD
COM1 RS-232 TXD	Vert	7	8	Marron	COM1 RS-232 DTR
COM1 RS-232 RTS	Bleu	9	10	Orange	COM1 RS-232 terre
COM1 RS-485 données +	Rouge/bleu	11	12	Bleu/rouge	COM1 RS-485 données –
Blindage commun RS-485	Fil nu	13	14	Noir/orange, noir/vert	N/A – ne pas utiliser

¹ Les broches 15 à 24 ne sont pas utilisées et doivent être laissées sans raccordement.

Raccordement des E/S internes en option

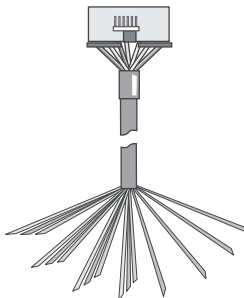
Cette section ne s'applique que si vous avez commandé l'option d'E/S internes pour votre compteur. Voir «Options des compteurs» page 75 pour déterminer l'option E/S internes de votre compteur. Pour des informations supplémentaires, voir le tableau des spécifications «Entrées/sorties internes» page 96.



Extrémité du connecteur d'E/S en option



depuis le compteur



Câble de dérivation E/S

1. Reliez le câble de dérivation E/S fourni au connecteur d'E/S internes du compteur (Molex 16 broches).
2. Les fils doivent être munis de terminaisons comme suit :

E/S internes, option B					
Fonction	Couleur ou rayures du fil	Broche		Couleur ou rayures du fil	Fonction
Sortie C1-K	Noir	1	2	Blanc	Sortie C1-Z
Sortie C2-Z	Rouge	3	4	Vert	Sortie C1-Y
Sortie C2-Y	Orange	5	6	Bleu	Sortie C2-K
Sortie C3-K	Blanc/noir	7	8	Rouge/noir	Sortie C3-Z
Sortie C4-Z	Vert/noir	9	10	Orange/noir	Sortie C3-Y
Sortie C4-Y	Bleu/noir	11	12	Noir/blanc	Sortie C4-K
Entrée S2	Rouge/blanc	13	14	Vert/blanc	Entrée S1
Entrée SCOM	Bleu/blanc	15	16	Noir/rouge	Entrée S3

E/S internes, option C					
Fonction	Couleur ou rayures du fil	Broche		Couleur ou rayures du fil	Fonction
Sortie C1-K	Noir	1	2	Blanc	Sortie C1-Z
Sortie C2-Z	Rouge	3	4	Vert	Sortie C1-Y
Sortie C2-Y	Orange	5	6	Bleu	Sortie C2-K
Sortie C3-K	Blanc/noir	7	8	Rouge/noir	Sortie C3-Z
Sortie C4-Z	Vert/noir	9	10	Orange/noir	Sortie C3-Y
Sortie C4-Y	Bleu/noir	11	12	Noir/blanc	Sortie C4-K
Sortie A1-K	Rouge/blanc	13	14	Vert/blanc	Sortie A1-Y
Entrée SCOM	Bleu/blanc	15	16	Noir/rouge	Entrée S1

3. Reportez-vous à «Options de configuration supplémentaires» page 98 pour d'autres informations.

REMARQUE

Toutes les entrées logiques sont attribuées par défaut. Toutes les sorties logiques à semi-conducteurs ne sont pas attribuées (utilisez Power Monitoring Expert ou ION Setup pour configurer les sorties logiques).

Étape 6 : Mise sous tension du compteur

DANGER

RISQUE D'ÉLECTROCUTION, D'EXPLOSION OU D'ARC ÉLECTRIQUE

- Ne mettez pas le compteur sous tension avant d'avoir raccordé la terre de protection.
- Les raccordements électriques sur les bornes du compteur ne doivent pas être accessibles à l'utilisateur après l'installation.
- Remettez en place tous les appareils, portes et couvercles avant de mettre l'appareil sous tension.

Le non-respect de ces ces instructions entraînera la mort ou des blessures graves.

1. Fermez les fusibles des TP (ou les fusibles d'entrées directes de tension).
2. Ouvrez les blocs de court-circuitage des TC.
3. Mettez le compteur sous tension.

Vérification du fonctionnement du compteur

Lorsque vous mettez le compteur sous tension, l'écran du panneau avant s'allume et affiche brièvement un message indiquant que le compteur démarre, puis fait défiler les différents écrans. Les voyants lumineux sur le côté du compteur clignotent pour indiquer l'activité des communications.

Étape 7 : Configuration du compteur à l'aide du panneau avant

Les sections suivantes expliquent comment configurer le compteur à l'aide des boutons du panneau avant.

Navigation avec les boutons du panneau avant

1. Appuyez pendant deux secondes sur le bouton rond (ALT/ENTER) pour accéder aux écrans de configuration du compteur.
2. Appuyez sur les touches de navigation haut et bas pour changer la sélection (élément en surbrillance).
3. Appuyez sur le bouton rond pour confirmer la sélection.
4. Pour revenir à l'écran précédent, sélectionnez RETURN puis appuyez sur le bouton rond.

Modification des valeurs de configuration du compteur

1. Pour modifier une valeur de configuration, employez l'une des méthodes suivantes :
 - ◆ Pour sélectionner une autre option dans une liste, appuyez sur les touches haut ou bas pour mettre l'élément de votre choix en surbrillance, puis appuyez sur le bouton rond pour confirmer la sélection.
 - ◆ Pour modifier une valeur numérique, appuyez sur les touches haut ou bas pour augmenter ou réduire le nombre. Appuyez pendant deux secondes sur la touche haut pour déplacer le curseur vers la gauche, sur la touche bas pour le déplacer vers la droite.
2. Appuyez sur le bouton rond pour confirmer la modification :
 - ◆ Entrez le mot de passe lorsque vous y êtes invité. Le mot de passe par défaut est «0» (zéro).
 - ◆ Sélectionnez YES à l'écran CONFIRM CHANGE, puis appuyez sur le bouton rond.

Menus de configuration du panneau avant

Le tableau ci-dessous liste les menus de configuration et décrit les registres de configuration. Le compteur affiche «Not Available» pour les modules ou fonctions en option qui ne sont pas disponibles.

Utilisez ION Setup pour configurer les registres de configuration qui ne sont pas accessibles par le biais du panneau avant.

Menu	Valeur	Description	Plage (valeurs)	Valeur par défaut
Basic Setup (configuration de base)	Volts Mode (mode volts)	Configuration de raccordement du réseau électrique	9S 4 fils étoile/triangle, 29S 4 fils étoile, 35S 3 fils, 36S 4 fils étoile, «DEMO»	9S 4 Wire Wye/Delta
	PT Primary (primaire TP)	Tension nominale de l'enroulement primaire du transformateur de potentiel	1.0 à 999.999	120
	PT Secondary (secondaire TP)	Tension nominale de l'enroulement secondaire du transformateur de potentiel	1.0 à 999.999	120
	CT Primary (primaire TC)	Courant nominal de l'enroulement primaire du transformateur de courant	1.0 à 999.999	5
	CT Secondary (secondaire TC)	Courant nominal de l'enroulement secondaire du transformateur de courant	1.0 à 999.999	5
	VA Polarity (polarité VA)	Polarité du transformateur de potentiel sur VA	Normal (normale) ou Inverted (inversée)	Normal
	VB Polarity (polarité VB)	Polarité du transformateur de potentiel sur VB	Normal (normale) ou Inverted (inversée)	Normal
	VC Polarity (polarité VC)	Polarité du transformateur de potentiel sur VC	Normal (normale) ou Inverted (inversée)	Normal
	IA Polarity (polarité IA)	Polarité du transformateur de courant sur IA	Normal (normale) ou Inverted (inversée)	Normal
	IB Polarity (polarité IB)	Polarité du transformateur de courant sur IB	Normal (normale) ou Inverted (inversée)	Normal
	IC Polarity (polarité IC)	Polarité du transformateur de courant sur IC	Normal (normale) ou Inverted (inversée)	Normal
Phase Rotation (sens de rotation des phases)	Sens de rotation des phases du système électrique	ABC, ACB	ABC	

Menu	Valeur	Description	Plage (valeurs)	Valeur par défaut
COM1 Setup (configuration COM1) (RS-232/RS-485)	Protocol	Spécifie le protocole utilisé sur ce port.	Aucun, ION, Modbus RTU, Modbus maître ¹ , DNP v3.00, DLMS, ModemGate, GPS : Truetime/Datum, GPS : Arbiter, GPS : Arbiter-Vorne, Factory, EtherGate	ION
	Baud Rate (vitesse de transmission)	Spécifie la vitesse de transmission du port COM choisi pour les communications série.	300 à 115200	9600
	Transmit Delay (retard transmission)	Spécifie le réglage du retard de transmission du port	0 à 1	0,01
	Unit ID (identification unité)	Identifie le compteur dans les communications série.	1 à 9999	Provient du numéro de série. ²
	Serial Port (port série)	Données, bits de parité et bits d'arrêt pour le port	8O1, 8O2, 8N1, 8N2, 8E1, 8E2	8N1
	RS-232 ou RS-485	Spécifie RS-232 ou RS-485.	RS-232 ou RS-485	RS-232
	RTS/CTS Handshake (établissement liaison RTS/CTS)	Spécifie si le contrôle de flux est utilisé pour la communication par RS-232.	RTS with delay (avec retard), RTS/CTS	RTS with delay
RS485 Bias (polarité RS-485)	Spécifie si la polarité RS-485 doit être appliquée au port.	ON ou OFF	OFF	
COM2 Setup (configuration COM2) (modem)	Protocol	Spécifie le protocole utilisé sur ce port.	Aucun, ION, Modbus RTU, DNP v3.00, DLMS, GPS : Truetime/Datum, GPS : Arbiter, GPS : Arbiter-Vorne, Factory	ION
	Baud Rate (vitesse de transmission)	Spécifie la vitesse de transmission du port COM choisi pour les communications série.	300 à 115200	9600
	Transmit Delay (retard transmission)	Spécifie le réglage du retard de transmission du port	0 à 1	0,01
	Unit ID (identification unité)	Identifie le compteur dans les communications série.	1 à 9999	101
COM3 Setup (configuration COM3) (Optique avant)	Protocol	Spécifie le protocole utilisé sur ce port.	Aucun, ION, Modbus RTU, Modbus maître ¹ , DNP v3.00, DLMS, GPS : Truetime/Datum, GPS : Arbiter, GPS : Arbiter-Vorne, Factory	ION
	Baud Rate (vitesse de transmission)	Spécifie la vitesse de transmission pour les communications série.	300 à 115200 ³	9600
	Transmit Delay (retard transmission)	Spécifie le réglage du retard de transmission du port	0 à 1	0,01
	Unit ID (identification unité)	Identifie le compteur dans les communications.	1 à 9999	102
	Serial Port (port série)	Données, bits de parité et bits d'arrêt pour le port	8O1, 8O2, 8N1, 8N2, 8E1, 8E2	8N1
COM4 Setup (configuration COM4) (RS-485)	Protocole	Spécifie le protocole utilisé sur ce port.	Aucun, ION, Modbus RTU, Modbus maître ¹ , DNP v3.00, DLMS, ModemGate, GPS : Truetime/Datum, GPS : Arbiter, GPS : Arbiter-Vorne, Factory, EtherGate	ION
	Baud Rate (vitesse de transmission)	Spécifie la vitesse de transmission pour les communications série.	300 à 115200	9600
	Transmit Delay (retard transmission)	Spécifie le réglage du retard de transmission du port	0 à 1	0,01
	Unit ID (identification unité)	Identifie le compteur dans les communications.	1 à 9999	103
	Serial Port (port série)	Données, bits de parité et bits d'arrêt pour le port	8O1, 8O2, 8N1, 8N2, 8E1, 8E2	8N1
	RS485 Bias (polarité RS-485)	Spécifie si la polarité RS-485 doit être appliquée au port.	ON ou OFF	OFF

Menu	Valeur	Description	Plage (valeurs)	Valeur par défaut
COM1 Setup (configuration COM1) (RS-232/RS-485)	Protocol	Spécifie le protocole utilisé sur ce port.	Aucun, ION, Modbus RTU, Modbus maître ¹ , DNP v3.00, DLMS, ModemGate, GPS : Truetime/Datum, GPS : Arbiter, GPS : Arbiter-Vorne, Factory, EtherGate	ION
	Baud Rate (vitesse de transmission)	Spécifie la vitesse de transmission du port COM choisi pour les communications série.	300 à 115200	9600
	Transmit Delay (retard transmission)	Spécifie le réglage du retard de transmission du port	0 à 1	0,01
	Unit ID (identification unité)	Identifie le compteur dans les communications série.	1 à 9999	Provient du numéro de série. ²
	Serial Port (port série)	Données, bits de parité et bits d'arrêt pour le port	8O1, 8O2, 8N1, 8N2, 8E1, 8E2	8N1
	RS-232 ou RS-485	Spécifie RS-232 ou RS-485.	RS-232 ou RS-485	RS-232
	RTS/CTS Handshake (établissement liaison RTS/CTS)	Spécifie si le contrôle de flux est utilisé pour la communication par RS-232.	RTS with delay (avec retard), RTS/CTS	RTS with delay
RS485 Bias (polarité RS-485)	Spécifie si la polarité RS-485 doit être appliquée au port.	ON ou OFF	OFF	
COM2 Setup (configuration COM2) (modem)	Protocol	Spécifie le protocole utilisé sur ce port.	Aucun, ION, Modbus RTU, DNP v3.00, DLMS, GPS : Truetime/Datum, GPS : Arbiter, GPS : Arbiter-Vorne, Factory	ION
	Baud Rate (vitesse de transmission)	Spécifie la vitesse de transmission du port COM choisi pour les communications série.	300 à 115200	9600
	Transmit Delay (retard transmission)	Spécifie le réglage du retard de transmission du port	0 à 1	0,01
	Unit ID (identification unité)	Identifie le compteur dans les communications série.	1 à 9999	101
COM3 Setup (configuration COM3) (Optique avant)	Protocol	Spécifie le protocole utilisé sur ce port.	Aucun, ION, Modbus RTU, Modbus maître ¹ , DNP v3.00, DLMS, GPS : Truetime/Datum, GPS : Arbiter, GPS : Arbiter-Vorne, Factory	ION
	Baud Rate (vitesse de transmission)	Spécifie la vitesse de transmission pour les communications série.	300 à 115200 ³	9600
	Transmit Delay (retard transmission)	Spécifie le réglage du retard de transmission du port	0 à 1	0,01
	Unit ID (identification unité)	Identifie le compteur dans les communications.	1 à 9999	102
	Serial Port (port série)	Données, bits de parité et bits d'arrêt pour le port	8O1, 8O2, 8N1, 8N2, 8E1, 8E2	8N1
COM4 Setup (configuration COM4) (RS-485)	Protocole	Spécifie le protocole utilisé sur ce port.	Aucun, ION, Modbus RTU, Modbus maître ¹ , DNP v3.00, DLMS, ModemGate, GPS : Truetime/Datum, GPS : Arbiter, GPS : Arbiter-Vorne, Factory, EtherGate	ION
	Baud Rate (vitesse de transmission)	Spécifie la vitesse de transmission pour les communications série.	300 à 115200	9600
	Transmit Delay (retard transmission)	Spécifie le réglage du retard de transmission du port	0 à 1	0,01
	Unit ID (identification unité)	Identifie le compteur dans les communications.	1 à 9999	103
	Serial Port (port série)	Données, bits de parité et bits d'arrêt pour le port	8O1, 8O2, 8N1, 8N2, 8E1, 8E2	8N1
	RS485 Bias (polarité RS-485)	Spécifie si la polarité RS-485 doit être appliquée au port.	ON ou OFF	OFF

Menu	Valeur	Description	Plage (valeurs)	Valeur par défaut
Modem cellulaire Configuration	Protocole de la connexion 1	Spécifie le protocole utilisé pour la connexion 1	Aucun, ION, Modbus TCP, DNP 3.0, EtherGate	None (aucune)
	Numéro de port de la connexion 1	Spécifie le numéro de port pour établir la connexion 1	1 - 65535	0
	Protocole de la connexion 2	Spécifie le protocole utilisé pour la connexion 2	Aucun, ION, Modbus TCP, DNP 3.0, EtherGate	None (aucune)
	Numéro de port de la connexion 2	Spécifie le numéro de port pour établir la connexion 2	1 - 65535	0
	Protocole de la connexion 3	Spécifie le protocole utilisé pour la connexion 3	Aucun, ION, Modbus TCP, DNP 3.0, EtherGate	None (aucune)
	Numéro de port de la connexion 3	Spécifie le numéro de port pour établir la connexion 3	1 - 65535	0
	Protocole de la connexion 4	Spécifie le protocole utilisé pour la connexion 4	Aucun, ION, Modbus TCP, DNP 3.0, EtherGate	None (aucune)
	Numéro de port de la connexion 4	Spécifie le numéro de port pour établir la connexion 4	1 - 65535	0
	Protocole de la connexion 5	Spécifie le protocole utilisé pour la connexion 5	Aucun, ION, Modbus TCP, DNP 3.0, EtherGate	None (aucune)
	Numéro de port de la connexion 5	Spécifie le numéro de port pour établir la connexion 5	1 - 65535	0
	Protocole de la connexion 6	Spécifie le protocole utilisé pour la connexion 6	Aucun, ION, Modbus TCP, DNP 3.0, EtherGate	None (aucune)
	Numéro de port de la connexion 6	Spécifie le numéro de port pour établir la connexion 6	1 - 65535	0
	IP Address (adresse IP)	Spécifie l'adresse IP attribuée au modem cellulaire par le réseau	xxx.xxx.xxx.xxx	non configurable
	Définir un pare-feu	Spécifie jusqu'à deux réseaux acceptés par le modem cellulaire. Les adresses sont entrées par paires (ip, masque, ip, masque)	aaa.aaa.aaa.aaa, bbb.bbb.bbb.bbb	None (aucune)
MEID (identifiant d'équipement mobile)	Affiche l'identifiant de l'équipement mobile	non configurable	non configurable	
Réseau Configuration	IP Address (adresse IP)	Spécifie l'adresse Ethernet TCP/IP.	0.0.0.0 à 255.255.255.255 ³	None (aucune) ⁴
	Mask (masque)	Spécifie le masque de sous-réseau.	0.0.0.0 à 255.255.255.255	None (aucune)
	Gateway (passerelle)	Spécifie la passerelle Ethernet (le cas échéant).	0.0.0.0 à 255.255.255.255	None (aucune)
	SMTP Address (adresse SMTP)	Spécifie l'emplacement du serveur SMTP.	0.0.0.0 à 255.255.255.255	None (aucune)
	MAC Adress (adresse MAC)	Adresse de contrôle d'accès au support.	Hexadécimal ⁵	N/A
	Activation du port	Spécifie si le port Ethernet est activé ou non	Webserver, FTP, DNP sur TCP, ION sur TCP, Modbus sur TCP, Modbus TCP, Telnet	TBD
Enabled Com Ports (ports COM activés) ⁶	COM1	Spécifie si COM1 (RS-232/RS-485) est activé.	Disabled (désactivée), Enabled (activée)	
	COM2	Spécifie si COM2 (modem) est activé.	Disabled (désactivée), Enabled (activée)	
	COM3	COM3 (port optique avant) est toujours activé.	Enabled	Enabled
	COM4	Spécifie si COM4 (RS-485) est activé.	Disabled (désactivée), Enabled (activée)	
	Ethernet	Spécifie si le port Ethernet est activé.	Disabled (désactivée), Enabled (activée)	
	Undo & Return (annuler et retour)	Sélectionnez cette option pour annuler les modifications et revenir au menu précédent.		
	Reboot (redémarrer)	Sélectionnez cette option pour redémarrer.		
Format Setup (configuration format)	Phase Labels (étiquettes phases)	Indique comment sont repérées les phases	123, ABC, RST, XYZ, RYB, RWB	ABC
	PF Symbol (symbole FP)	Spécifie la paire de symboles employée pour indiquer le facteur de puissance.	CAP/IND (capacitif/inductif), LD/LG (avance/retard), +/-	LD/LG
	Digit Group (notation nombres)	Symboles utilisés pour délimiter les milliers et les décimales	1000.0 ou 1,000.0 ou 1 000,0	1000,0
	Date Format (format date)	Indique le format d'affichage de la date.	YYYY/MM/DD (aaaa/mm/jj), MM/DD/YYYY (mm/jj/aaaa), DD/MM/YYYY (jj/mm/aaaa)	MM/DD/YYYY
	Show DST (afficher DST)	Définit si l'heure d'été est affichée ou non.	Do not display DST (ne pas afficher DST), Display DST (afficher DST)	Display DST
	Volts Decimal (décimales tension)	Nombre de décimales affichées pour la tension	1 à 123456789.XXX	1.XX
	Current Decimal (décimales courant)	Nombre de décimales affichées pour le courant	1 à 123456789.XXX	1.XX
	Power Decimal (décimales puissance)	Nombre de décimales affichées pour les valeurs de puissance	1 à 123456789.XXX	1.XX

Menu	Valeur	Description	Plage (valeurs)	Valeur par défaut
Display Setup (configuration affichage)	Update Rate (taux de mise à jour)	Spécifie la fréquence d'actualisation de l'affichage en secondes.	1 s à 6 s	1 s
	Contrast (contraste)	Spécifie le contraste de l'écran (valeur plus élevée pour un contraste plus net).	0 à 9	6
	Backlight TO (durée rétroéclairage)	Durée pendant laquelle le rétroéclairage de l'afficheur avant reste allumé après la dernière pression sur une touche	0 à 7200 (secondes) ⁷	300
	DMD Lock TO (durée verrouillage DMD)	Durée minimale permise entre deux réinitialisations des valeurs moyennes	0 à 5184000 (secondes)	2160000 (25 jours)
	Test Mode TO (durée mode test)	Durée pendant laquelle l'appareil reste en mode test avant de revenir au mode normal.	60 à 21600 (secondes)	1800
	Display Scale (échelle affichage)	Coefficient d'échelle appliqué aux valeurs avant leur affichage	1,00 à 999999	1000
	Scaling Mode (mode échelle)	Indique si les valeurs sont divisées ou multipliées par l'échelle d'affichage avant d'être affichées.	Multiply (multiplier) ou Divide (diviser)	Divide
	Delta Vectors (vecteurs triangle)	Spécifie le type d'affichage des diagrammes vectoriels en mode Triangle.	System (système) ou Instrument	Instrument
Security	Modify Passwd (modifier mot de passe)	Changements du mot de passe en sécurité de base ⁸	0 - 99999999	0
	Disable Security (désactiver sécurité)	Retire l'exigence de mot de passe pour USER0 (panneau avant) lorsque la sécurité avancée n'est pas activée.	Disabled (désactivée), Enabled (activée) ⁹	Mot de passe activé
	Web Config (config. web)	Permet la configuration par une interface de serveur web.	Disabled (désactivée), Enabled (activée)	Activée

¹ Le ION8650C (spécifications C) ne prend pas en charge le protocole Modbus maître.

² Le paramètre Unit ID est défini en usine à partir du numéro de série du compteur. Par exemple : Numéro de série : XXXX-1009X263-XX est défini en usine pour l'unité ID **9263**.

³ Une fois qu'elle a été entrée, l'adresse 0.0.0.0 est affichée comme "None" (Aucune) sur le panneau avant.

⁴ Pour modifier le paramètre NONE, appuyez sur la touche haut pendant deux secondes pour passer en mode édition.

⁵ L'adresse MAC est réglée en usine et indiquée à titre de référence uniquement.

⁶ Applicable uniquement au ION8650C (spécifications C). Voir «Changement de ports de communication actifs pour le ION8650C (spécifications C)» page 99.

⁷ Paramétrer le délai de rétroéclairage sur 0 résultats si le rétroéclairage reste toujours allumé.

⁸ Cette option n'est disponible qu'en sécurité de base. Si la sécurité avancée est activée, le message NOT AVAILABLE (non disponible) s'affiche sur le panneau avant.

⁹ Pour activer ou désactiver la sécurité de base du compteur, voir «Sécurité du compteur» page 98.

Étape 8 : Configuration des paramètres avancés avec ION Setup

Utilisez ION Setup pour configurer les caractéristiques avancées du compteur ION8650. ION Setup est disponible en téléchargement gratuit sur www.se.com. Reportez-vous au fichier d'aide pour les instructions d'utilisation de ION Setup.

Certaines fonctions restent désactivées jusqu'à ce que vous changiez certains paramètres de configuration, par exemple pour régler le registre NomVolts du module Sag/Swell de façon à activer les fonctions de qualité de l'énergie. Reportez-vous au *ION8650 manuel d'utilisation* pour une explication détaillée de toutes les fonctions du compteur.

Étape 9 : Affichage des données du compteur

Par défaut, les écrans NORM (normal) sont affichés. Appuyez sur le bouton rond (ALT/ENTER) pour passer en mode ALT (autre). Utilisez les touches haut et bas pour parcourir les écrans.

Écrans NORM

Écran	Contenu	Écran	Contenu
kWh	kWh fournis/reçus	Peak Demand Reset (réinitialisation du maximum de la valeur moyenne)	Nombre de réinitialisations de valeur moyenne (avec horodatage)
kVARh	kVARh fournis/reçus	Q Metering (mesure Q)	Mesures VARh approximatives
kVAh	kVAh fournis/reçus	Disk Simulator (simulateur disque)	Simulation du disque d'un compteur mécanique de watts-heures
Peak Demand Delivered (maximum de la valeur moyenne fournie)	Valeur maximale de kW, kVAR, kVA fournie (avec horodatage)	All Segments (tous segments)	Un écran noir indique que les pixels LCD fonctionnent.

Écrans ALT

Écran	Contenu
Name Plate 1 (plaque signalétique 1)	Propriétaire, version du logiciel embarqué, TAG 1 et 2
Name Plate 2 (plaque signalétique 1)	Réglages du calcul de valeur moyenne par fenêtre glissante
Event Log	Événements haute priorité les plus récents (255)
Phasor Diagram (diagramme des phaseurs)	Phaseurs et valeurs de courants/tensions de phases
Instantaneous Voltage	Tension de phase, tension moyenne (L-N ou L-L)
Instantaneous Current	Courant de phase, courant moyen
Instantaneous Power	Total kW, total kvar, total kVA, facteur de puissance
Instantaneous Demand	kW fournis/reçus
Flicker ¹	Mesures de papillotement pour V1, V2 et V3
Voltage Harmonics (3 écrans)	Histogrammes harmoniques de tension par phase
Current Harmonics (3 écrans)	Histogrammes harmoniques de courant par phase
Active TOU Rate	Tarif facturation TOU actif

Écran	Contenu
Active TOU Seasons	Saison de facturation TOU active
TOU Energy by Rate	Valeurs kWh fournis pour chaque tarif TOU
kW Peak Demand	Maximum kW fournis pour chaque tarif TOU
Past Billing Energy	kWh fournis dans la période de facturation précédente (FP)
Prev Billing Peak Demand	Maximum kW fournis dans FP
Past Season Energy	kWh fournis pour chaque tarif TOU dans FP
Past Season Peak Demand	Maximum kW fournis pour chaque tarif TOU dans FP
Past Billing/Season Energy	kWh fournis/reçus dans FP et saison
Past Bill/Season Pk Dem	Maximum kW moyenne de fenêtre glissante reçus dans FP et saison
Past Billing/Season Energy	kVARh fournis/reçus dans FP et saison
Past Bill/Season Pk Demand	Max. kVARh fournis/reçus dans FP et saison
Past Billing/Season Energy	kVAh fournis/reçus dans FP et saison facturation
Past Bill/Season Pk Demand	Max. kVA fournis/reçus dans FP et saison

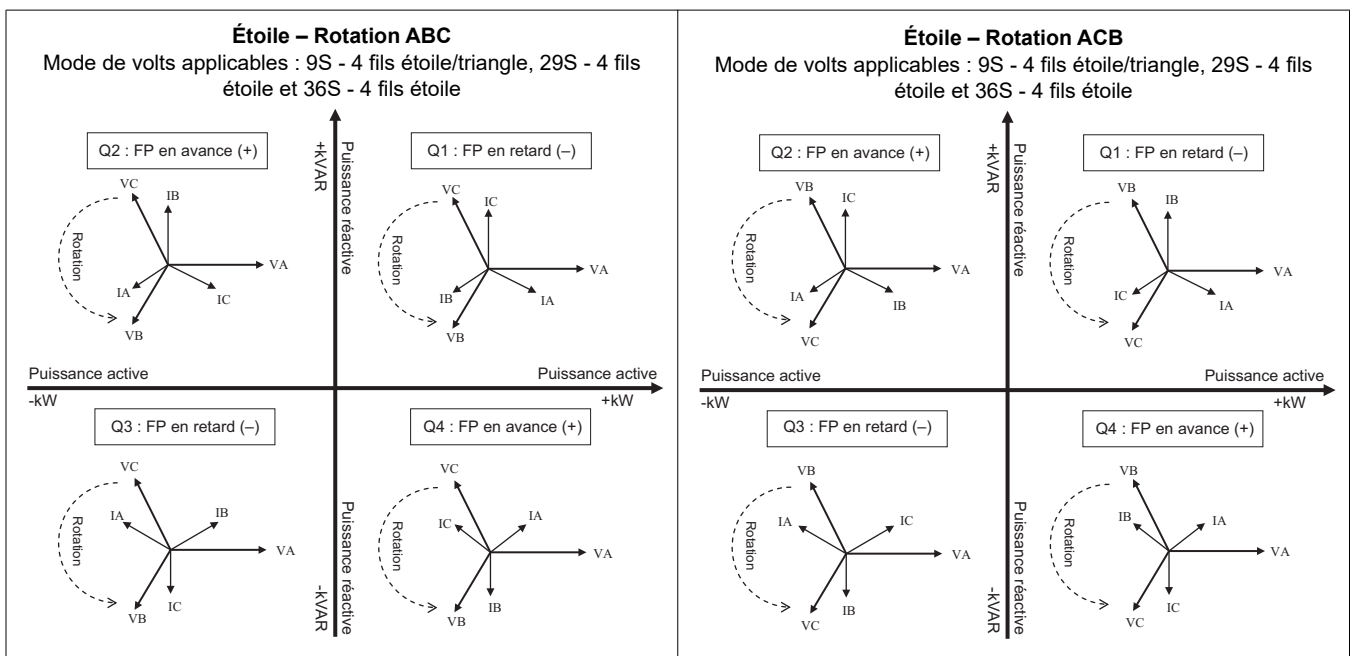
¹ Les mesures de flicker (papillotement) sont uniquement disponibles pour les modèles ION8650A (spécifications A) et ION8650B (spécifications B).

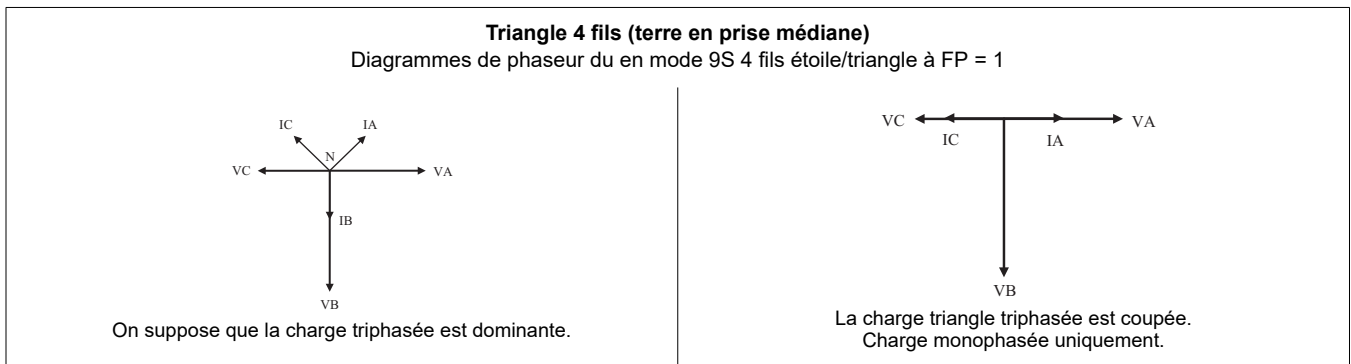
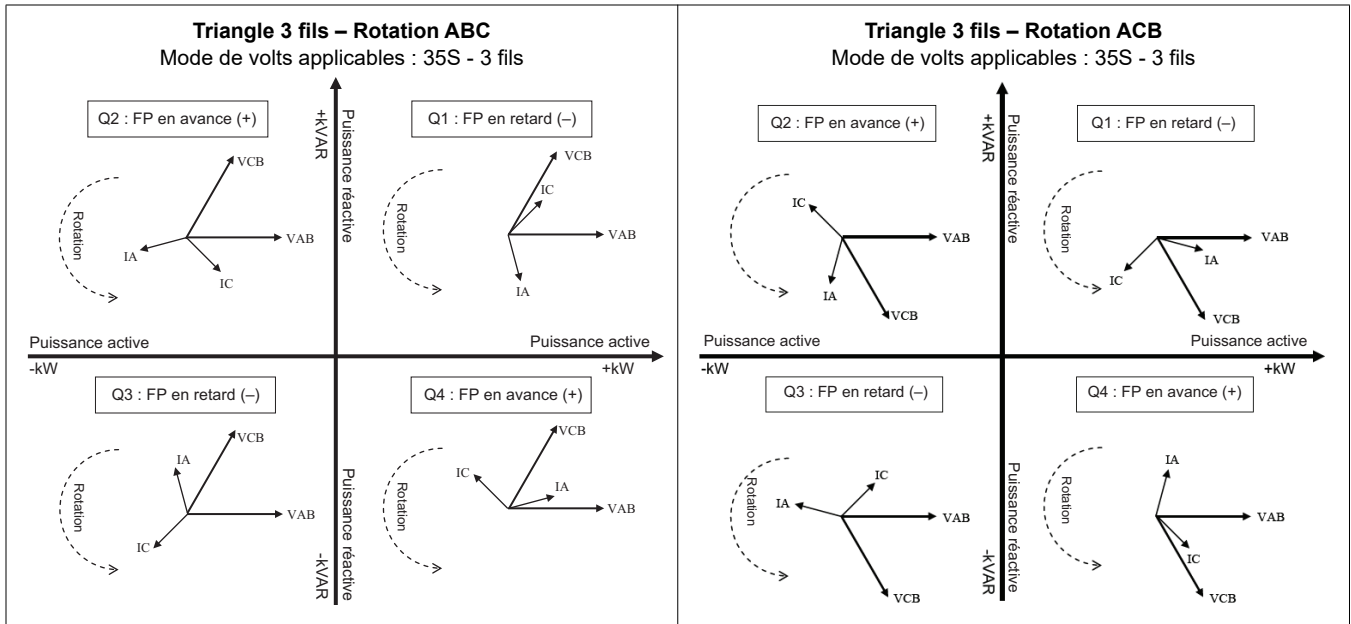
Mode TEST

Le mode Test permet de modifier certains paramètres dans un compteur à verrouillage matériel ou de vérifier la précision du compteur. Reportez-vous au *Manuel d'utilisation* du ION8650 et à la note technique *ION8650 Vérification de la précision* pour plus d'informations.

Étape 10 : Vérification du raccordement à l'aide des diagrammes de phaseur

Vous pouvez afficher le diagramme de phaseur du ION8650 depuis le panneau avant ou via le ION Setup. L'afficheur de phaseur disponible dans ION Setup permet de vérifier le raccordement du compteur. Reportez-vous à l'aide en ligne de ION Setup pour plus d'informations.





Spécifications

Les informations contenues dans cette section sont sujettes à modification sans préavis. Veuillez contacter votre représentant local Schneider Electric pour les dernières mises à jour.

Environnement

Degré de pollution	2
Altitude	Moins de 3000 m au-dessus du niveau de la mer
Plage de fonctionnement	-40 à 85 °C interne. Température ambiante max. -40 à 70 °C
Température de fonctionnement de l'afficheur	-20 à 60 °C
Humidité	5 à 95 % d'humidité relative sans condensation

Entrées de mesure

Entrées de mesure de la tension	Entrées	Configuration 9S : Va, Vb, Vc, Vref	Configuration 29S et 36S : Va, Vc, Vref	Configuration 35S : Vab, Vcb, Vref	
	Section de fil recommandée	5,26 mm ² (10 AWG)			
	Tension nominale	Configuration 9S, 29S et 36S : 57 à 277 V L-N eff. (-20%,+25%) Configuration 35S : 100 à 480 V L-L eff. (-20%,+25%)			
	Tension maximum, compteurs à alimentation auxiliaire	Configuration 9S, 29S et 36S : 347 V L-N eff., 600 V L-L eff. 35S : 600 V L-L eff.			
	Tenue diélectrique	2500 V eff., 60 Hz pendant 1 minute			
	Tension nominale de tenue aux chocs	6 kV			
	Catégorie de mesure/installation	CAT III			
	Plage de fréquence fondamentale de fonctionnement	42-69 Hz			
	Impédance d'entrée	5 MW par phase (phase-Vref)			
	Fusible (non fourni)	2 A à temporisation (voir diagrammes de raccordement)			
Entrées de mesure du courant	Entrées	Configuration 9S, 29S et 36S : Ia, Ib, Ic		Configuration 35S : Ia, Ic	
	Section de fil recommandée	5,26 mm ² (10 AWG)			
	Courant de démarrage, classe 2/10/20	0,001 A eff.			
	Dépassement	à 24 A eff.			
	Plage de tension nominale	ANSI C12.20, classes de courant combinées 2, 10 et 20 CEI 62053-22, combinaison 1 A et 5 A nominal, I _{max} = 20 A eff.			
	Surcharge	500 A eff. pendant 1 s			
	Essai de type de tenue diélectrique	2500 V eff., 60 Hz pendant 1 minute			
	Tension max.	600 V eff.			
	Tension nominale de tenue aux chocs	6 kV			
	Catégorie de mesure/installation	CAT III			
Charge, classe 2/10/20	0,05 VA par phase à 5 A				
Terre	Utilisez un fil de 2,08 mm ² (14 AWG)				
	Couple de la borne de masse : 1,6 à 19 N·m (14 à 17 in-lbs)				

Alimentation, standard (auto-alimentation)

Type	Triphasée (via entrées de détection de tension)
Plage de tension nominale	Configuration 9S, 29S et 36S : 69-277 V L-N eff. (120-480 V L-L eff.), 42-69 Hz Configuration 35S : 120-480 V L-L eff., 42-69 Hz
Tension nominale de tenue aux chocs	6 kV
Charge	Normale : 3 W, 8 VA/phase, fonctionnement triphasé; Maximum : 4 W, 11 VA/phase, fonctionnement triphasé
Micro-coupeure maximale : minimum garanti	6 périodes à la fréquence nominale (min. 50 Hz), à 120 V L-N eff. (208 V L-L eff.), triphasé

Alimentation, source auxiliaire – tension standard

Type	Monophasé, via câble externe avec prise type NEMA 5-15 mise à la terre
Plage de tension nominale	CA : 65-120 V L-N eff., 42-69 Hz CC : 80-170 V CC
Tension nominale de tenue aux chocs	6 kV
Charge	Normale : 7 W, 14 VA; Maximale : 11 W, 18 VA

Alimentation, source auxiliaire – tension standard

Micro-coupure maximale : minimum garanti	6 périodes à la fréquence nominale (min. 50 Hz), à 65 V L-N de tension minimum
--	--

Alimentation, source auxiliaire – haute tension

Type	Monophasé, via câble externe avec prise type NEMA mise à la terre
Plage de tension nominale	CA : 160-277 V L-N eff. CC : 200-390 V CC
Tension nominale de tenue aux chocs	6 kV
Charge	Normale : 8 W, 14 VA; Maximale : 11 W, 19 VA
Micro-coupure maximale : minimum garanti	6 périodes à la fréquence nominale (min. 50 Hz), à 160 V L-N de tension minimum

Entrées/sorties internes

		Sorties logiques
Type	4 sorties statiques de type C (options d'E/S B et C) 1 sortie statique de type A (option C uniquement)	
Câble	1,3 à 0,13 mm ² (16 à 26 AWG)	
Tension de charge max.	130 V CA / 200 V CC	
Courant de charge max.	100 mA	
Résistance sous tension	30 W normale, 50 W maximum	
Résistance hors tension	400 MW minimum	
Isolement	2000 V efficace, 60 Hz pendant 1 min (terre) 1000 V efficace, 60 Hz pendant 1 min (entre les sorties)	
Tension nominale de tenue aux chocs	2500 V crête (terre) 1500 V crête (entre les entrées ou les sorties) (CAT II)	
Update Rate (taux de mise à jour)	20 ms (précision = +/- 7 ms), sans compter le retard de communication. Des changement d'état ont lieu dans les 20 ms. 1/2 cycle pour les E/S internes	
Type de signal	Continu ou impulsions	
Fusible	Protéger avec un fusible de 100 mA à temporisation, du type Littlefuse série 201 à 100 mA.	
Fréquence max. transitions sortie	50 par seconde	
Largeur min. impulsion	1 ms	
Résolution temporelle	Demi-alternance ou 1 s	
Dispositif de suppression de transitoires pour les sorties logiques	Installez selon les schémas de la section «Sorties logiques» page 101. Le dispositif de suppression de transitoires doit satisfaire aux spécifications suivantes : Polarisation = bidirectionnelle. Tension de claquage = 300 V maximum. Puissance dissipée en crête = 10 kW pendant 10 ms (minimum) et 1,5 kW pendant 1 milliseconde (minimum).	
Temps d'attente de changement d'état	20 ms (sortie logique) 40 ms (modules d'entrées logiques)	
Schémas de commande	Utilisez des mécanismes intermédiaires permettant de désactiver les commandes de relais pour l'entretien.	
		Entrées logiques
Type	3 entrées de type A (option d'E/S B) 1 entrée de type A (option d'E/S C) Autoexcité, contact sec, aucune tension externe requise. (Pour l'excitation externe, la plage de fonctionnement est de 24-130 V CC.)	
Câble	Utiliser le fil convenant à l'application.	
Tension de charge max.	30 V CC interne (fourni) ou 130 V CC externe	
Courant de charge max.	100 mA	
Isolement	2000 V efficace, 60 Hz pendant 1 min (terre) 1000 V eff., 60 Hz pendant 1 min (entre les entrées)	
Tension nominale de tenue aux chocs	2500 V crête (terre) 1500 V crête (entre les entrées ou les sorties) (CAT II)	
Largeur min. impulsion	20 ms	
Fréquence max. transitions entrée	50 par seconde	
Période de balayage	20 ms	
Résolution temporelle	1 ms, avec 2 ms de précision	
Entrées	État haut pour résistance externe de 2 kW maximum. État bas pour résistance externe de 4 MW minimum.	

Communications

RS-232/RS-485	Câble DB9 (câble de dérivation) ou connecteur DB9 (panneau de dérivation)
RS-485	Câble à paire torsadée blindée (câble de dérivation) ou connecteur de repiquage à ressort (panneau de dérivation)
Modem analogique	Modem 56k universel Cordon téléphonique FCC section 68 RJ-11 (câble de dérivation) ou prise téléphonique RJ-11 (panneau de dérivation)
Modem cellulaire	CDMA2000 1xRTT EV-DO Rev A (rétrocompatible avec EV-DO Rev. 0 et les réseaux CDMA 1x) Double bande 800/1900 MHz
Port optique infrarouge	Port optique ANSI Type II
RS-485	Câble à paire torsadée blindée (câble de dérivation) ou connecteur de repiquage à ressort (panneau de dérivation)
Ethernet	100BASE-T Catégorie 3 UTP (min.) 100BASE-FX multi-mode avec connecteurs mâles ST (option fibres) Câble Ethernet RJ-45 (câble de dérivation) ou connecteur Ethernet RJ-45 (panneau de dérivation)
IRIG-B	Tension nominale = 5 V CC +/- 10 %. Tension max. = 8 V CC Câble à paire torsadée blindée de 0,33 mm ² (22 AWG) (câble de dérivation) ou connecteur de repiquage à ressort (panneau de dérivation)

Annexe A Options de configuration supplémentaires

Sécurité du compteur

Désactivation/activation de la sécurité via le panneau avant

Désactiver la sécurité

1. Sélectionnez le menu de configuration «Security». Sélectionnez «Disable Security» pour désactiver.
2. Entrez le mot de passe du compteur si nécessaire. Sélectionnez «Proceed» pour exécuter. Sélectionnez «Yes» pour confirmer.
3. Sélectionnez «Return» deux fois pour revenir à l'écran normal.

Activer la sécurité

Pour activer la sécurité du compteur, vous devez d'abord changer le mot de passe :

1. Sélectionnez le menu de configuration «Modify Passwd». Utilisez les touches de navigation haut et bas pour changer le mot de passe. Appuyez sur le bouton rond pour le saisir. Sélectionnez «Yes» pour confirmer.
2. Sélectionnez le menu de configuration «Disable Security».
3. Saisissez le nouveau mot de passe. Sélectionnez "Proceed" pour le saisir. Sélectionnez «Yes» pour confirmer.
4. Sélectionnez «Return» deux fois pour revenir à l'écran normal.



REMARQUE

Cette caractéristique n'est disponible qu'en sécurité de base. Si vous tentez d'utiliser cette caractéristique lorsque la sécurité avancée est activée, le message NOT AVAILABLE s'affichera.

Liaisons RS-232

Reportez-vous au diagramme approprié ci-dessous pour raccorder les communications du RS-232.

Options de connexion du câble RS-232	
	<p>A Directement à l'ordinateur</p> <p>Connectez le connecteur Molex 24 broches du compteur au câble de dérivation des communications. Connectez le connecteur DB9 du câble de dérivation au port série de l'ordinateur. Si nécessaire, utilisez un câble de raccordement direct au modem pour augmenter la longueur du câble.</p>
	<p>B Connexion directe au modem externe</p> <p>Connectez le connecteur Molex 24 broches du compteur au câble de dérivation des communications. Connectez le connecteur DB9 du câble de dérivation à un câble simulateur de modem. Branchez l'autre extrémité de ce câble au modem externe.</p>
	<p>C Module d'extension E/S vers ordinateur</p> <p>Connectez le connecteur Molex 24 broches du compteur au module d'extension E/S. Reliez le connecteur DB9 du module d'extension E/S au port série de l'ordinateur par un câble Null modem.</p>
	<p>D Module d'extension E/S vers modem externe</p> <p>Connectez le connecteur Molex 24 broches du compteur au module d'extension E/S. Reliez le connecteur DB9 du module d'extension E/S au modem externe par un câble de raccordement direct au modem.</p>

Désactivation/activation des ports COM via le panneau avant

D'un point de vue sécuritaire, il est recommandé de désactiver les ports COM que vous n'utilisez pas.

1. Appuyez sur le bouton **ALT/ENTER** et maintenez la pression pendant quelques secondes. Le menu SETUP (configuration) apparaît.
2. Utilisez les boutons de navigation pour mettre en surbrillance le port COM que vous voulez configurer (de COM1 à COM 4) et appuyez sur **ALT/ENTER** pour le sélectionner.
3. Utilisez les boutons de navigation pour mettre en surbrillance le paramètre Protocole et appuyez sur **ALT/ENTER** pour le sélectionner.
4. Sélectionnez Aucun dans la liste des protocoles disponibles.
5. Sélectionnez YES pour confirmer la modification.

Désactivation/activation des ports Ethernet via le panneau avant

D'un point de vue sécuritaire, il est recommandé de désactiver les ports Ethernet que vous n'utilisez pas.

1. Appuyez sur le bouton **ALT/ENTER** et maintenez la pression pendant quelques secondes. Le menu SETUP (configuration) apparaît.
2. Utilisez les touches haut et bas pour sélectionner NETWORK SETUP (configuration réseau) et appuyez sur **ALT/ENTER**.
3. Faites défiler jusqu'à PORT ENABLE (activer port) et appuyez sur **ALT/ENTER**.
4. Sélectionnez le port que vous voulez changer et appuyez sur **ALT/ENTER**. Sélectionnez YES pour activer le port et NO pour le désactiver.
5. Sélectionnez YES pour confirmer la modification. Entrez le mot de passe du compteur si vous y êtes invité.

Changement de ports de communication actifs pour le ION8650C (spécifications C)

Le compteur ION8650C permet plusieurs communications simultanées sur le port optique avant et sur un maximum de deux autres ports de communication. Si vous avez commandé l'option Ethernet et/ou modem interne avec ce compteur, vous devez d'abord désactiver l'un des ports de communication actifs avant d'en activer un autre à la place (par exemple le port série COM1).



REMARQUE

Le changement de ports de communication actifs prend effet après redémarrage du compteur.

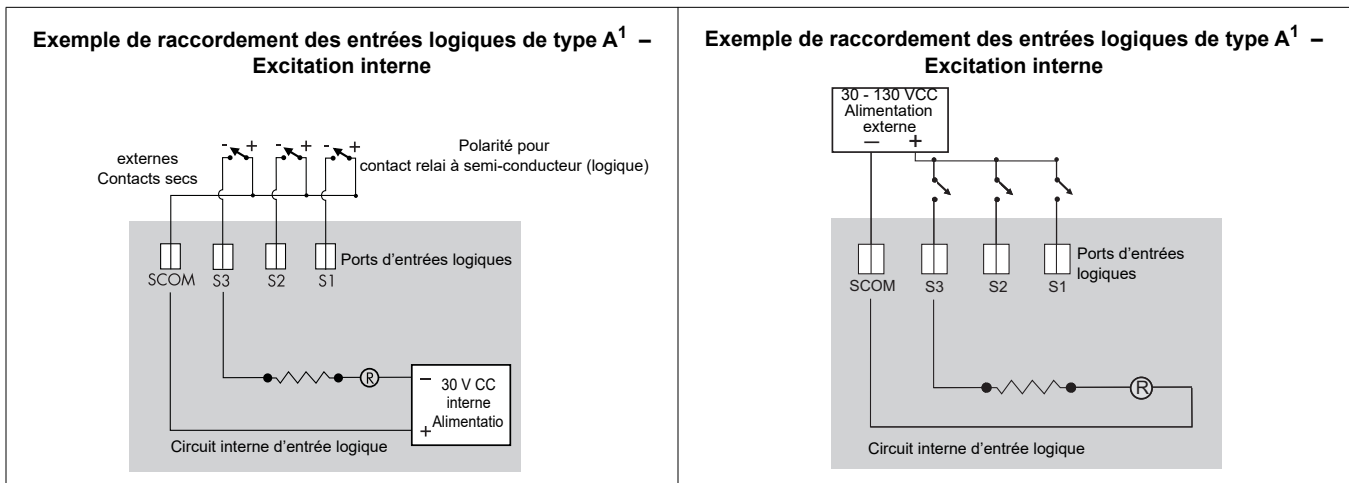
1. Sélectionnez le menu de configuration ENABLED COM PORTS sur le panneau avant. Sélectionnez CONTINUE.
2. Sélectionnez le port de communication actif à désactiver (par exemple Ethernet). Sélectionnez DISABLED. Saisissez le mot de passe d'accès au compteur lorsque vous y êtes invité, puis sélectionnez YES pour confirmer la modification.
3. Sélectionnez le port de communication à activer (par exemple COM1). Sélectionnez ENABLED. Sélectionnez YES pour confirmer la modification.
4. Sélectionnez REBOOT. Sélectionnez YES lorsque vous y êtes invité. Entrez le mot de passe du compteur si nécessaire.

Option d'entrées/sorties internes

Pour des spécification d'E/S détaillées, reportez-vous au tableau «Entrées/sorties internes» page 96.

Entrées logiques

Reportez-vous à l'exemple de numéro de pièce de la section «Raccordement des E/S internes en option» page 87 pour déterminer le nombre d'entrées logiques sur votre compteur. Les entrées logiques de type A sont réglées en usine pour l'autoexcitation (utilisation de l'alimentation électrique interne).



¹ Ces diagrammes représentent l'option d'E/S internes B.

Configuration de l'entrée logique pour l'excitation externe

Suivez les instructions ci-dessous pour configurer l'entrée logique pour l'alimentation externe.

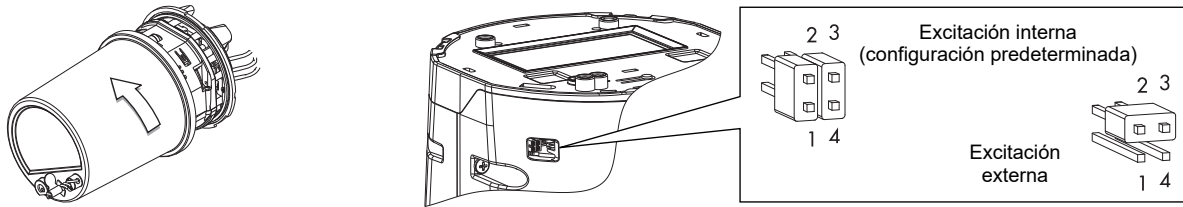
⚠ DANGER

RISQUE D'ÉLECTROCUTION, D'EXPLOSION OU D'ARC ÉLECTRIQUE

- Portez un équipement de protection individuelle (EPI) approprié et observez les règles de sécurité en matière de travaux électriques. Consultez la norme NFPA 70E aux États-Unis, la norme CSA Z462 ou les réglementations locales applicables.
- Cet appareil doit impérativement être installé et entretenu par un électricien qualifié.
- Coupez toute alimentation électrique de l'appareil et de l'équipement dans lequel il est installé avant toute intervention.
- Utilisez toujours un appareil de vérification de tension correctement calibré pour vérifier que l'alimentation est coupée.
- Les composants internes du compteur sont extrêmement sensibles aux décharges électrostatiques. Prenez les précautions antistatiques d'usage lors des interventions à l'intérieur de l'appareil.

Le non-respect de ces ces instructions entraînera la mort ou des blessures graves.

1. Coupez et isolez complètement l'alimentation. Utilisez un dispositif de détection de tension nominale adéquat pour vérifier que l'alimentation est hors service.
2. Retirez les dispositifs de plombage inviolable de la base du compteur.
3. Tournez le couvercle en plastique d'un quart de tour dans le sens contraire des aiguilles d'une montre et retirez-le.
Les broches d'excitation et les cavaliers sont situés dans un renforcement en bas à gauche du compteur.



4. Retirez les deux cavaliers et placez-en un sur les broches 2 et 3 de l'embase à quatre broches. Gardez le deuxième cavalier pour une utilisation ultérieure.
5. Remettez le couvercle en plastique et tout plombage inviolable.

L'excitation interne de l'entrée logique est à présent désactivée ; une alimentation externe peut être utilisée pour les contacts externes. Reportez-vous au tableau des spécifications «Entrées/sorties internes» page 96 pour plus d'informations.

Sorties logiques

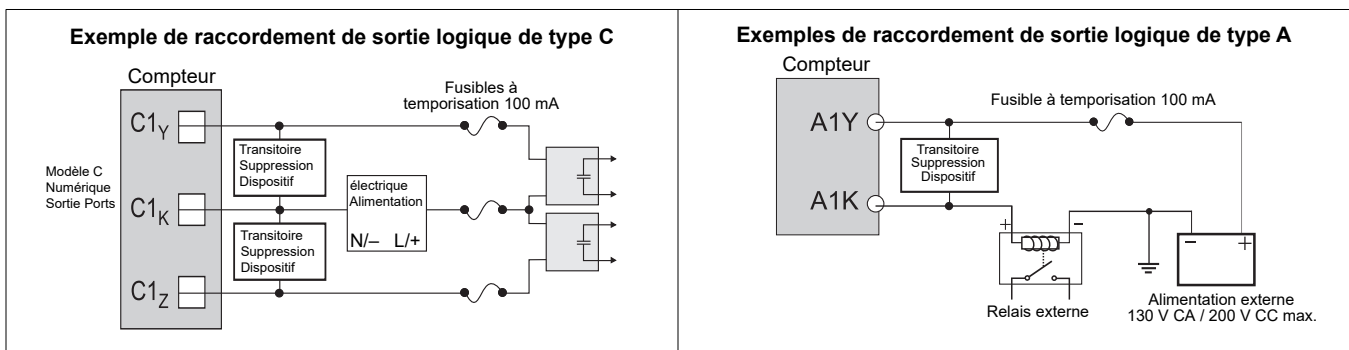
⚠ AVERTISSEMENT

RISQUE LORS D'UTILISATIONS NON PRÉVUES

N'utilisez pas cet équipement pour les applications critiques de commande ou de protection dans lesquelles la sécurité du personnel ou de l'équipement dépend du fonctionnement du circuit de commande.

Le non-respect de ces ces instructions peut entraîner la mort ou des blessures graves.

Reportez-vous à l'exemple de références dans «Raccordement des E/S internes en option» page 87 pour déterminer quelles sorties numériques possède votre compteur.



**PowerLogic™ ION8650
with WebMeter™**

Socket meter installation guide

**PowerLogic™ ION8650
con WebMeter™**

**Manual de instalación del medidor
de soporte**

**PowerLogic™ ION8650
avec le WebMeter™**

**Manuel d'installation du compteur
à socle**

Manufacturer

Schneider Electric

35 rue Joseph Monier
92500 Rueil Malmaison
France

UK Representative

Schneider Electric Ltd

Stafford Park 5
Telford, TF3 3BL
United Kingdom

Contact your local Schneider Electric sales representative for assistance or go to www.se.com.

ION, ION Enterprise, Modbus, Modicon, PowerLogic, Schneider Electric, Square D, and WebMeter are either trademarks or registered trademarks of Schneider Electric in France, the USA and other countries. All other trademarks are property of their respective owners.

Electrical equipment should be installed, operated, serviced, and maintained only by qualified personnel. No responsibility is assumed by Schneider Electric for any consequences arising out of the use of this material.

7ML02-0304-03 10/2021

© 2021 Schneider Electric.

All rights reserved. / Reservados todos los derechos. / Tous droits réservés.

Póngase en contacto con su distribuidor local de Schneider Electric para obtener asistencia o visite el sitio web:

www.se.com

ION, ION Enterprise, Modbus, Modicon, PowerLogic, Schneider Electric, Square D y WebMeter son marcas comerciales o marcas comerciales registradas de Schneider Electric en Francia, EE. UU. y otros países. Todas las demás marcas comerciales son propiedad de sus respectivos propietarios

Sólo el personal cualificado puede instalar, manipular y revisar el equipo electrónico así como realizar el mantenimiento de este. Schneider Electric no asume ninguna responsabilidad en relación a cualquier consecuencia que pudiera derivarse del uso de este material.

Contactez le représentant commercial Schneider Electric de votre région pour toute assistance ou rendez-vous sur le site :

www.se.com

ION, ION Enterprise, Modbus, Modicon, PowerLogic, Schneider Electric, Square D et WebMeter sont des marques commerciales ou des marques déposées de Schneider Electric en France, aux États-Unis et dans d'autres pays. Toutes les autres marques commerciales appartiennent à leurs propriétaires respectifs.

Seul du personnel qualifié doit se charger de l'installation, de l'utilisation, de l'entretien et de la maintenance du matériel électrique. Schneider Electric décline toute responsabilité quant aux conséquences de l'utilisation de ce matériel.