

EasyPact™

EZB250 EZB400
EZB630

75501-122-01

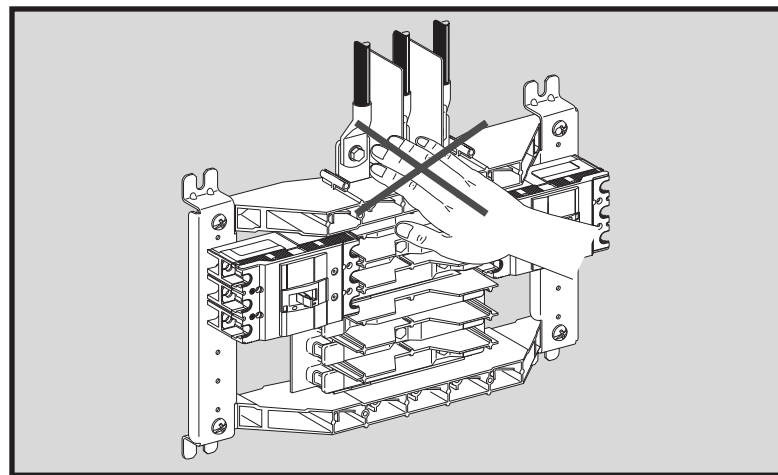
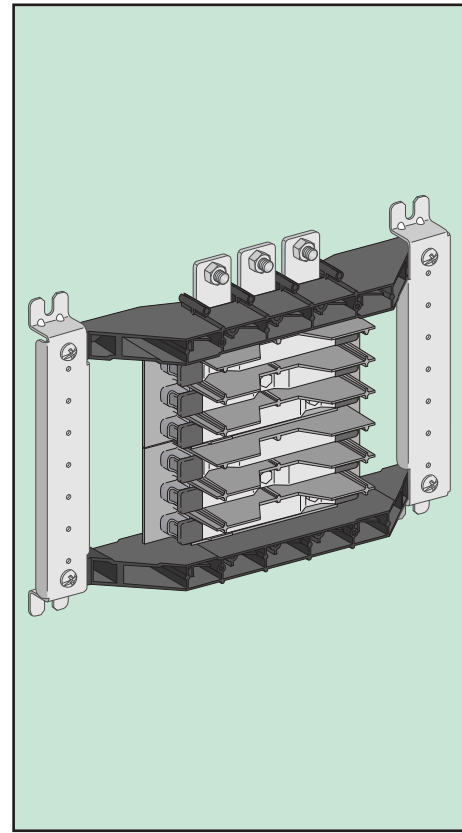
Busbar

The manufacturer assumes no responsibility for damage resulting from the non-application or incorrect application of the instructions provided herein.

Le non respect des indications de la présente notice ne saurait engager la responsabilité du constructeur.

El fabricante no se responsabiliza de los daños originados como resultado de la falta de aplicación o aplicación incorrecta de las presentes instrucciones.

O fabricante declinará toda e qualquer responsabilidade pelo resultado do não cumprimento das indicações constantes do presente manual de instruções



⚠ DANGER
Hazardous voltage can shock, burn or cause death. Disconnect power from source before installing, modifying or servicing.

EasyPact™ Busbar System
CIRCUIT DIRECTORY

EasyPact™ Busbar System
EZB250W04
4 Way (2-pole)
250A Max. Main Busbar

See installed breakers for ratings
Use EZB100/EZB100 breakers only

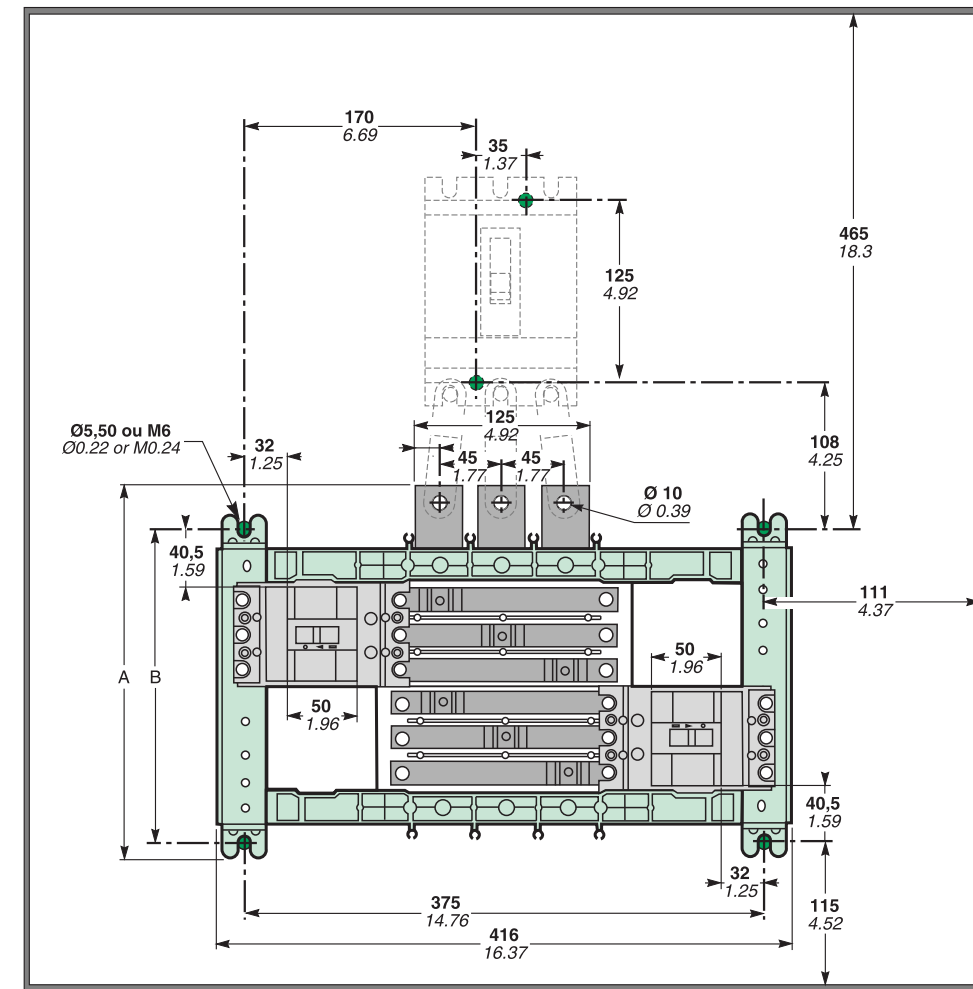
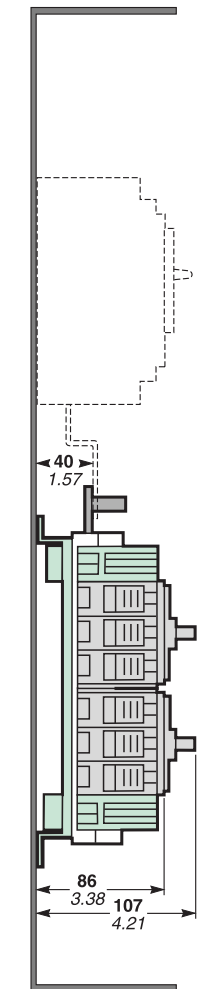
⚠ DANGER
HAZARD OF ELECTRIC SHOCK, BURN OR EXPLOSION

* If the equipment used is not listed and approved only for use with electrical equipment.
* Full list of approved equipment is available in the equipment directory.
* Always use primary rated voltage breaking device to prevent circuit arcing.
* Measure all wires, slots, and covers before turning on power in this area.
* Failure to follow these instructions will result in death or serious injury.

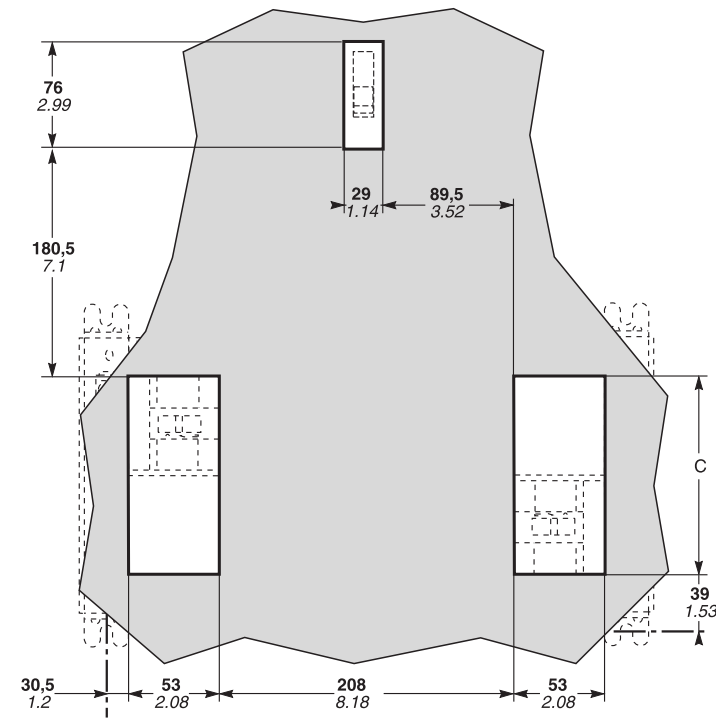
- Merlin Gerin
- Modicon
- Square D
- Telemecanique



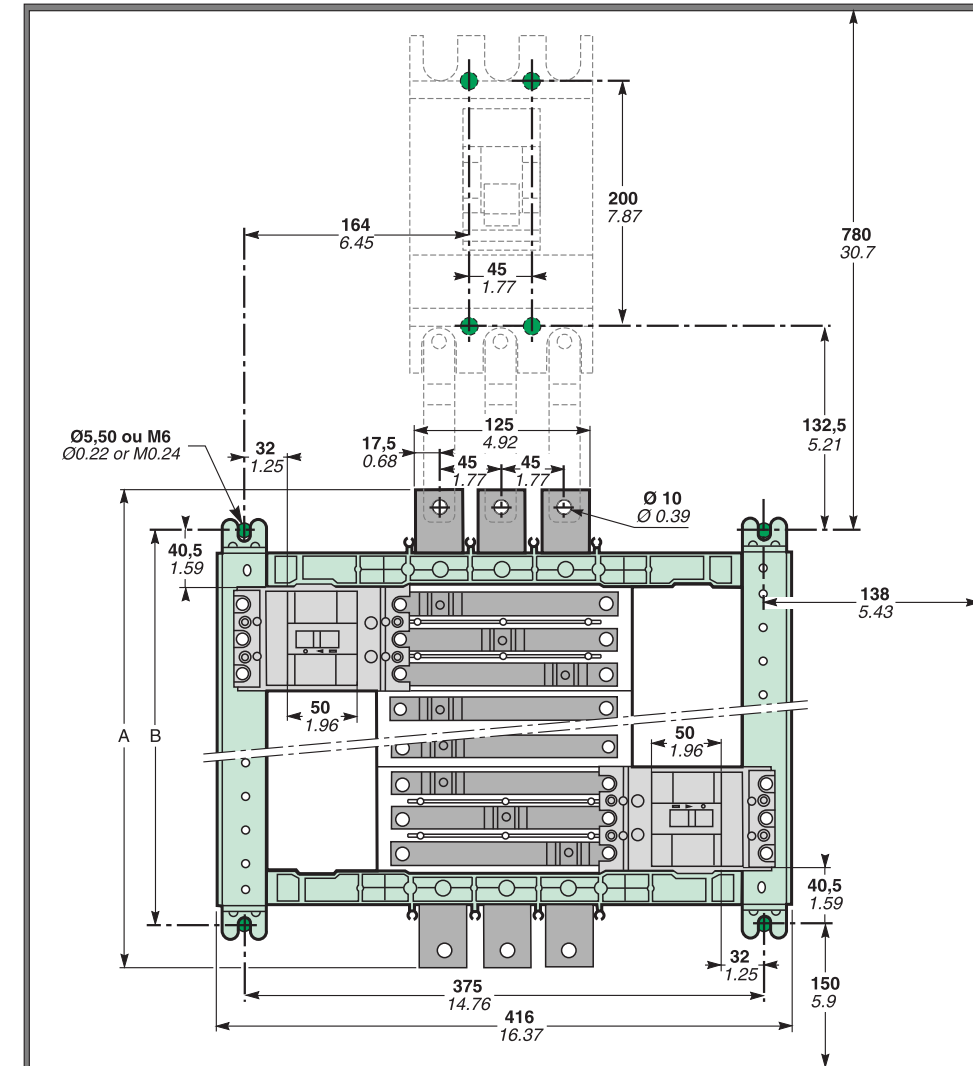
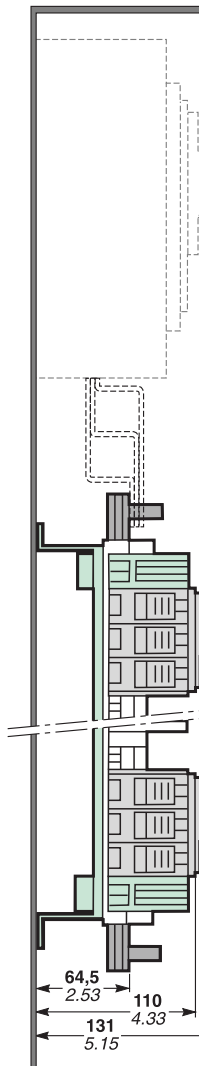
EZB250



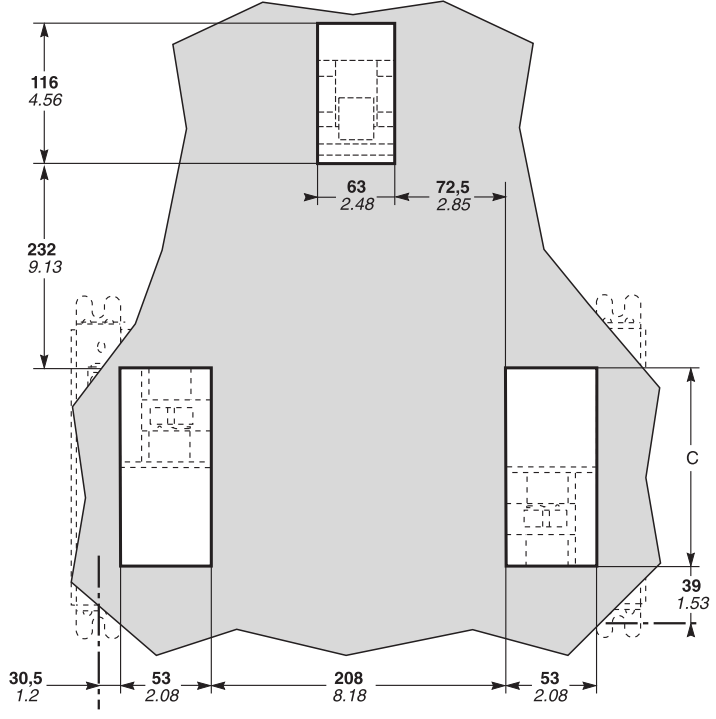
Nb of ways	Cat . Nb	mm In.		
		A	B	C
4 ways	EZB250W04	268,5 10.57	225 8.85	147 5.78
6 ways	EZB250W06	343,5 13.52	300 11.81	222 8.74
8 ways	EZB250W08	418,5 16.47	375 14.76	297 11.69
10 ways	EZB250W10	493,5 19.42	450 17.71	372 14.64
12 ways	EZB250W12	568,5 22.38	525 20.66	447 17.59

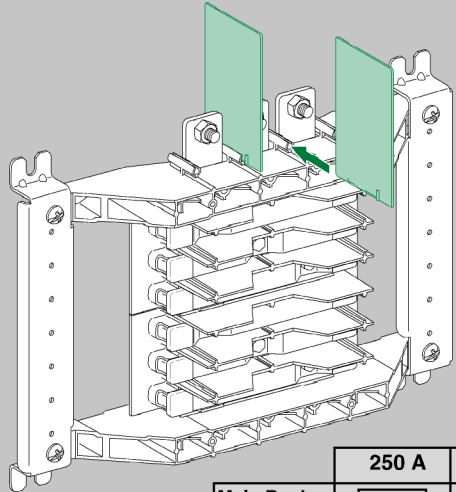


EZB400-630



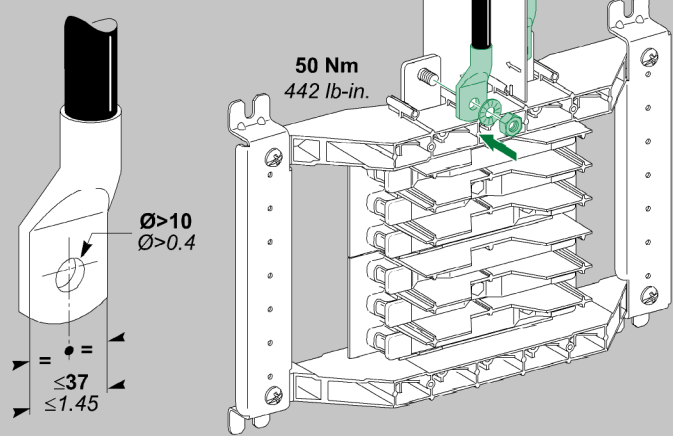
Nb of ways	Cat . Nb	mm In.		
		A	B	C
4 ways	EZB400W04 EZB630W04	290 11.41	225 8.85	147 5.78
6 ways	EZB400W06 EZB630W06	365 14.37	300 11.81	222 8.74
8 ways	EZB400W08 EZB630W08	440 17.32	375 14.76	297 11.69
10 ways	EZB400W10 EZB630W10	515 20.27	450 17.71	372 14.64
12 ways	EZB400W12 EZB630W12	590 23.22	525 20.66	447 17.59



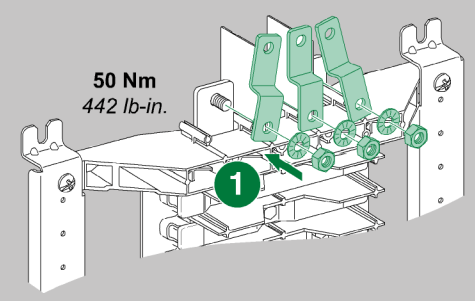
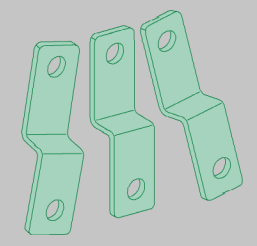


Main Busbar	250 A	400 A	630 A
	5 x 35mm	10 x 35mm	15 x 35mm

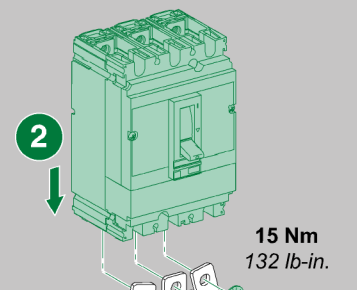
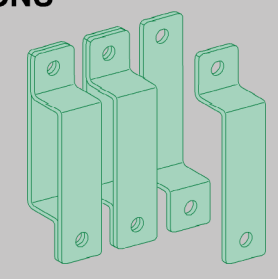
mm
in.



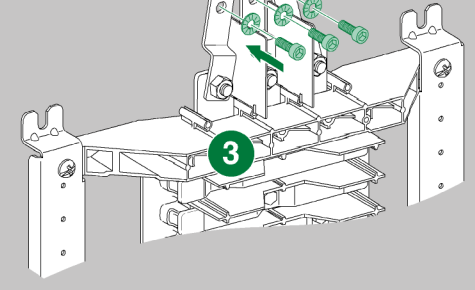
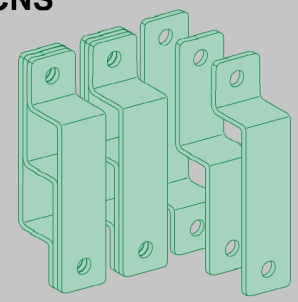
EZB250MCNS



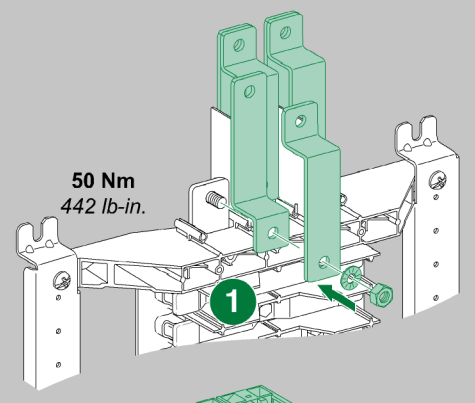
EZB400MCNS



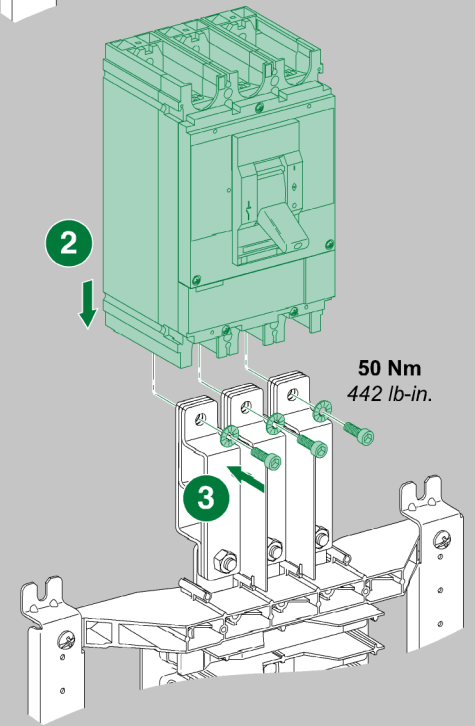
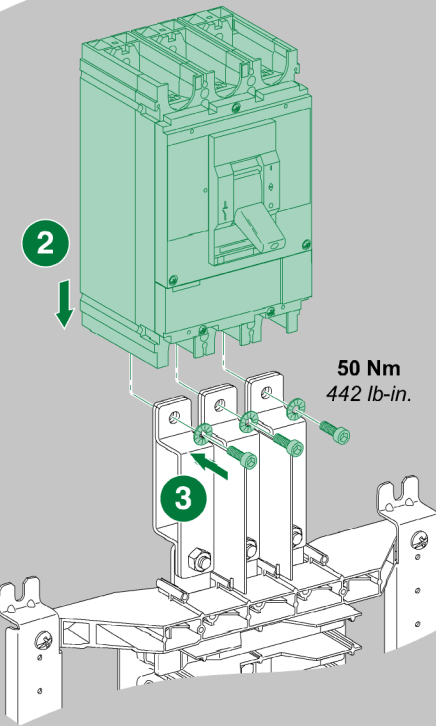
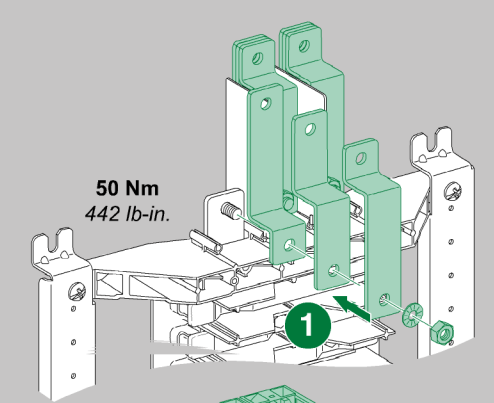
EZB630MCNS



EZB400MCNS



EZB630MCNS

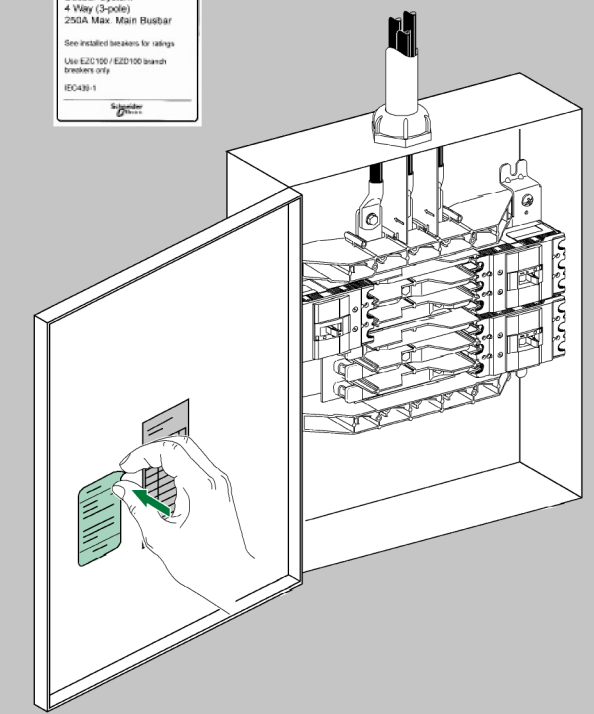
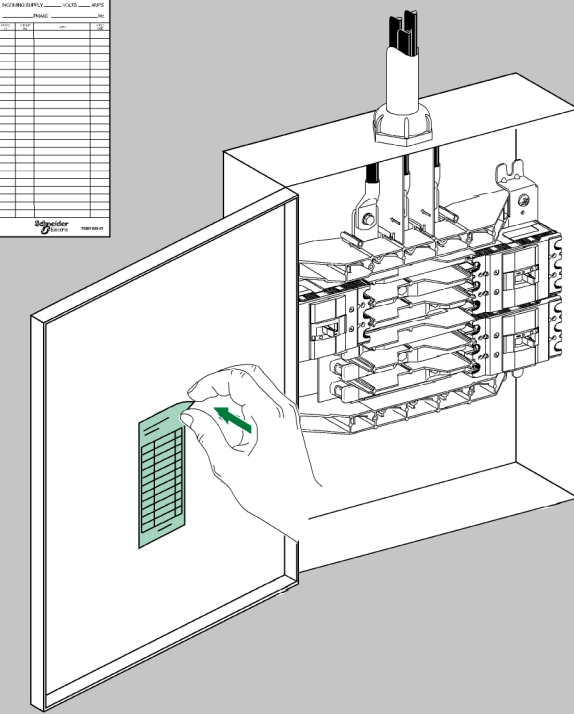


EasyPact™ Busbar System
CIRCUIT DIRECTORY

Model	Max. I _{sc}	Max. I _{th}	Max. I _{th} (10s)	Max. I _{th} (30s)	Max. I _{th} (60s)	Max. I _{th} (120s)	Max. I _{th} (180s)	Max. I _{th} (240s)	Max. I _{th} (300s)	Max. I _{th} (360s)	Max. I _{th} (420s)	Max. I _{th} (480s)	Max. I _{th} (540s)	Max. I _{th} (600s)	Max. I _{th} (660s)	Max. I _{th} (720s)	Max. I _{th} (780s)	Max. I _{th} (840s)	Max. I _{th} (900s)	Max. I _{th} (960s)	Max. I _{th} (1020s)	Max. I _{th} (1080s)	Max. I _{th} (1140s)	Max. I _{th} (1200s)		

EasyPact™
EZB250W04 Series 1
Busbar System
4 Way (3 poles)
250A Max. Main Busbar

See installed breakers for ratings
Low IEC 100 / IEC 100 branch
breakers only
IEC 485-1



⚠ DANGER
HAZARD OF ELECTRIC SHOCK, BURN
OR EXPLOSION

• If the enclosure is not installed and serviced only by qualified electrical personnel.
• Turn off all power including this equipment before working on or inside equipment.
• Monitor all voltage, shock and temperature to avoid personal injury or death.

	A	B	C
250 A			
a	Ø	Ø	Ø
A	26 1.02	16-150mm ² , 2-300KCM	31Nm 275 lb-in
B	35 1.37	35-300mm ² , 2-600KCM	56Nm 500 lb-in
C	30 1.18	25-240mm ² , 4-500KCM	56Nm 500 lb-in
	60 2.36	25-240mm ² , 4-500KCM	56Nm 500 lb-in

