

DATASHEET

752DALIS

PIR sensor, Slave for 752DALIRC, 360deg

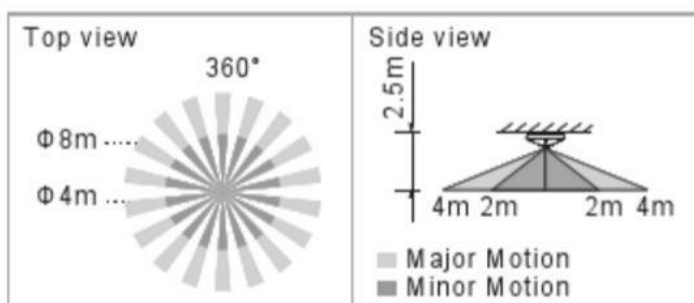
Application

The 752DALIS is a slave unit for the 752DALIRC providing occupancy and motion detection with multi-functional capabilities including switching on and off and dimming of the end point DALI fitting, offering comfort and convenience as well as energy saving benefits. The DALI Slave PIR sensor provides detection range extension for the PIR Sensor Master Detector. Ideal for lobbies, class rooms, offices and conference rooms.

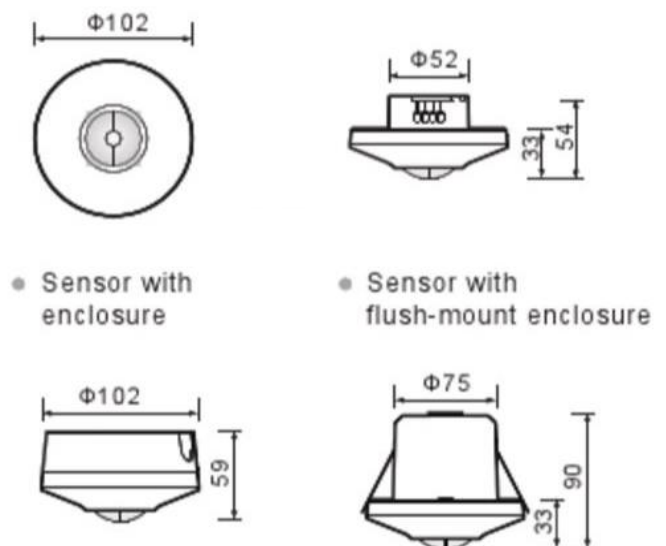


Features

- Occupancy and motion detection via passive infra-red technology
- Records movement and communicates to the DALI Master PIR Sensor
- Provides detection range extension for the 752DALIRC
- Adjustable PIR sensitivity
- Suitable for surface or flush mounting (both bases are included)
- PIR lens mask provided to shield zones if required



Field of View



Product Dimensions

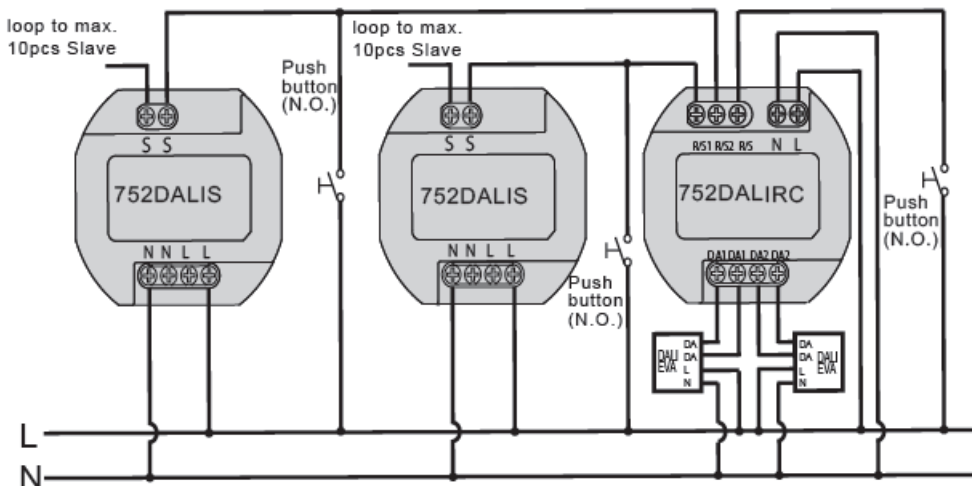
Life Is On

CLIPSAL
by Schneider Electric

Specifications

Mains voltage:	AC 220-240 V, 50/60 Hz Max 10 Slaves per Master
Angle of detection:	360°
Range:	Radius of max. 4 m (at 2.5 m mounting height)
Connection:	3-wire, neutral conductor required
Terminal Specs:	Power (N, N, L, L): 4-pin, Max 1 x 2.5mm ² Slave (S,S): 2-pin, max, 1 x 2.5mm ²
Sensitivity adjustment:	Approx. 1m – 4m radius.
Detection type:	PIR (Passive Infra-red)
Operating temperature:	At room temperature
IP protection rating:	IP40 (flush mount) or IP 42 (surface mount)
Compliance:	RCM and CE - Low voltage directive 2006/95EC and EMC directive 2004/108/EC.
Colours;	White
Dimensions (LxWxH):	102x102x33 mm (flush mounted) 102x102x59 mm (surface mounted)
NOTES:	Time and lux level settings are managed by the Master unit 752DALIRC. DALI Zone control is performed by the Master.

Wiring Example.



Life Is On **CLIPSAL**

Schneider Electric (Australia) Pty Ltd

Contact us: clipsal.com/feedback

National Customer Care Enquiries:

Tel 1300 2025 25 Fax 1300 2025 56

New Zealand National Customer Care Enquiries:

Tel 0800 652 999 Fax 0800 101 152

Life Is On

CLIPSAL
by Schneider Electric

Schneider Electric (Australia) Pty Ltd reserves the right to change specifications, modify designs and discontinue items without incurring obligation and whilst every effort is made to ensure that descriptions, specifications and other information in this catalogue are correct, no warranty is given in respect thereof and the company shall not be liable for any error therein.

© 2015 Schneider Electric. All Rights Reserved.

Trademarks are owned by Schneider Electric Industries SAS or its affiliated companies.