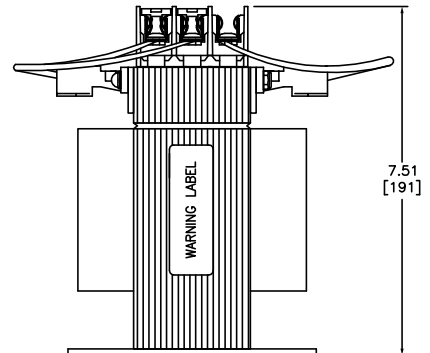
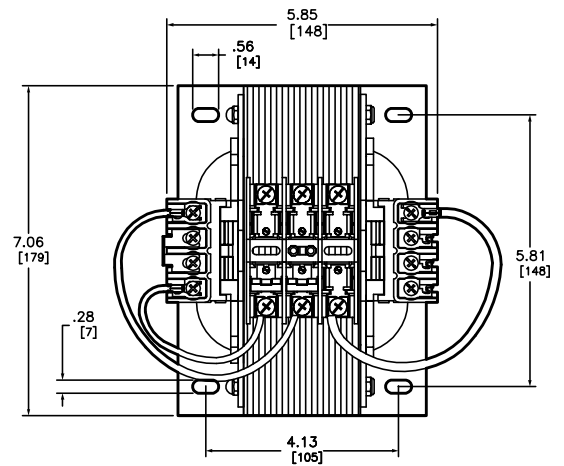


CATALOG NUMBER	PRIMARY VOLTAGE	SECONDARY VOLTAGE	50/60 Hz 1 PHASE		APPROXIMATE WEIGHT (Lbs/Kg)
			UL/cUL/CSA/NOM RATINGS (VA)	CE RATINGS (VA)	
9070TF1500D1	220/440 230/460 240/480	110 115 120	1500	1000	34.6 / 15.7



FILES/STANDARDS:
 UL/cUL FILE: E61239
 CSA FILE: LR37055
 CE: TUV CERTIFIED TO 61558
 NOM 117

1500VA--CONTROL POWER TRANSFORMER
 9070 TYPE 1F
 CATALOG NUMBERS: FROM CHART



DWG# 5945
 NO.