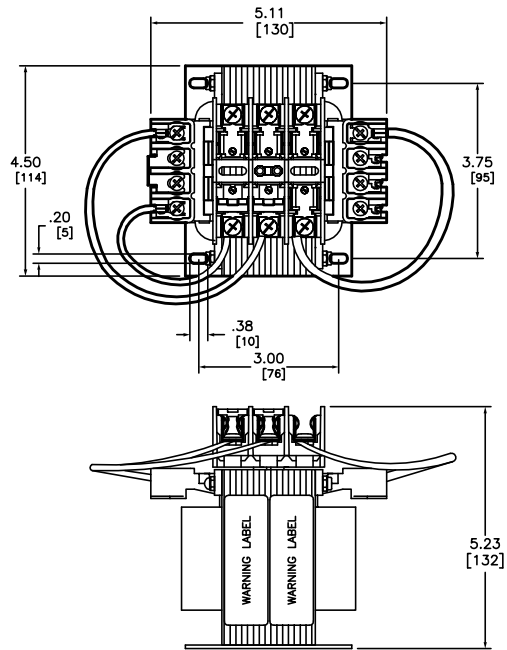


CATALOG NUMBER	PRIMARY VOLTAGE	SECONDARY VOLTAGE	50/60 Hz 1 PHASE		APPROXIMATE WEIGHT (Lbs/Kg)
			UL/cUL/CSA/NOM RATINGS (VA)	CE RATINGS (VA)	
9070TF350D1	220/440 230/460 240/480	110 115 120	350	250	10.1 / 4.5
9070TF350D2	240/480	24	350	250	9.5 / 4.3
9070TF350D23	120/240	24	350	250	10.2 / 4.6



FILES/STANDARDS:  
 UL/cUL FILE: E81239  
 CSA FILE: LR37055  
 CE: TUV-CERTIFIED TO 61558  
 NOM 117

350VA—CONTROL POWER TRANSFORMER  
 9070 TYPE TF  
 CATALOG NUMBERS: FROM CHART



DWG# 5933  
 NO.