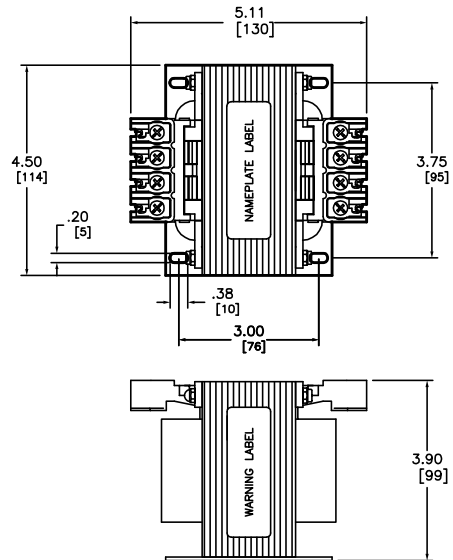


CATALOG NUMBER	PRIMARY VOLTAGE	SECONDARY VOLTAGE	50/60 Hz 1 PHASE		APPROXIMATE WEIGHT (Lbs/Kg)
			UL/cUL/CSA/NOM RATINGS (VA)	CE RATINGS (VA)	
9070T300D18	208/277/380	95/115	300	200	10.3 / 4.6
9070T300D20	208/230/460	115	300	200	10.2 / 4.6
9070T300D51	208/277	120	300	200	10.1 / 4.5
9070T300D95	208/240/480 200/230/460 220/440	120 115 110	300	200	10.1 / 4.5



FILES/STANDARDS:
 UL/cUL FILE: E61239
 CSA FILE: LR37055
 CE: TUV CERTIFIED TO 61558
 NOM 117

300VA—CONTROL POWER TRANSFORMER
 9070 TYPE T
 CATALOG NUMBERS: FROM CHART



DWG# 5896
 NO.