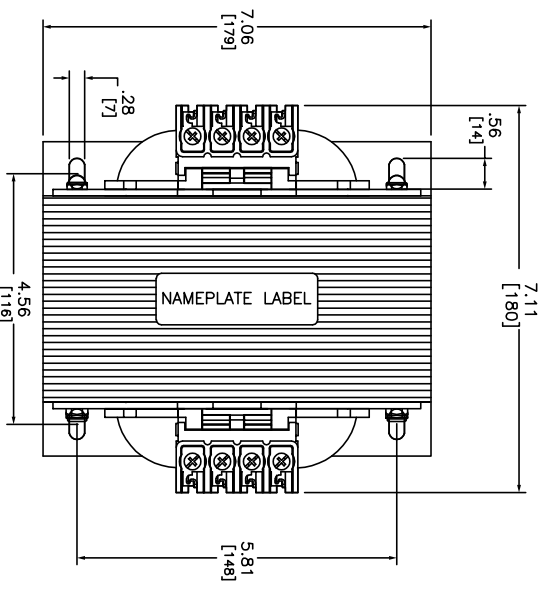


CATALOG NUMBER	PRIMARY VOLTAGE	SECONDARY VOLTAGE	50/60 Hz 1 PHASE UL/CUL/GSA/NOM RATINGS (VA)	PHASE RATINGS (VA)	APPROXIMATE WEIGHT (Lbs/Kg)
9070T2000D3	208	120	2000	1500	46.1 / 20.9
9070T2000D4	277	120	2000	1500	45.8 / 20.7
9070T2000D5	550 575 600	110 115 120	2000	1500	45.9 / 20.8
9070T2000D12	440 460 480	220 230 240	2000	1500	45.7 / 20.7
9070T2000D15	240/480	24/120	2000	N/A	49.3 / 22.3
9070T2000D22	480	277	2000	1500	46.6 / 21.1
9070T2000D24	110 115 120	110 115 120	2000	1500	45.8 / 20.7
9070T2000D31	220/440 230/460 240/480	110/220 115/230 120/240	2000	1500	45.7 / 20.7
9070T2000D37	550 575 600	110/220 115/230 120/240	2000	1500	45.9 / 20.8
9070T2000D55	110/220 115/230 120/240	110/220 115/230 120/240	2000	1500	47.9 / 21.7
9070T2000D60	277	120/240	2000	1500	46.3 / 21.0
9070T2000D62	600	240	2000	1500	47.6 / 21.6

FILES/STANDARDS:
 UL/CUL FILE: E91239
 LISTED TO:
 CE-TUV CERTIFIED TO 61558
 NOM 117



2000VA-CONTROL POWER TRANSFORMER
 9070 TYPE T
 CATALOG NUMBERS: FROM CHART



DWG# 5874
 NO.

JULY 2003

9070T2000_SEC120.