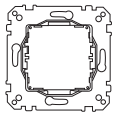
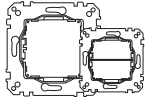
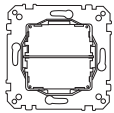


## LED light signal insert

User Guide



**LED light signal insert, single-colour**  
587090/91/93/94



**LED light signal insert, two-coloured**  
587092

### For your safety

#### ⚠ ⚠ DANGER

#### HAZARD OF ELECTRIC SHOCK, EXPLOSION, OR ARC FLASH

Safe electrical installation must be carried out only by skilled professionals. Skilled professionals must prove profound knowledge in the following areas:

- Connecting to installation networks
- Connecting several electrical devices
- Laying electric cables
- Safety standards, local wiring rules and regulations

**Failure to follow these instructions will result in death or serious injury.**

#### ⚠ ⚠ DANGER

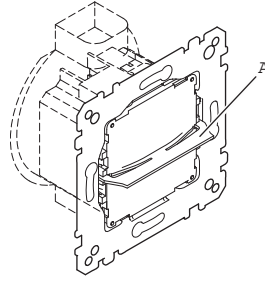
#### HAZARD OF ELECTRIC SHOCK, EXPLOSION, OR ARC FLASH

The outputs may carry an electrical current even when the device is switched off. Always disconnect the fuse in the incoming circuit from the supply before working on connected loads.

**Failure to follow these instructions will result in death or serious injury.**

### About the LED light signal insert

The LED light signal insert (hereinafter referred to as **insert**) serves as an illuminated display unit. The single-coloured version has the option of either a green LED (587090), a red LED (587091), a white LED (587093) or a blue LED lighting (587094). The two-coloured version has a red/green LED lighting (587092). To separate the lit area on the two-coloured version, a separating web is placed onto the insert (A).



The accompanying central plate with window must be ordered separately. The various preprinted films are included with the insert. If required, you can create films with individual lettering at any time. The central plate with window is clipped onto the insert. You can switch the insert on and off via the following inserts:

- **LED-light signal insert 587092, two coloured:** Shutter rocker switch insert with mechanical reverse voltage protection (MEG3715-0000).

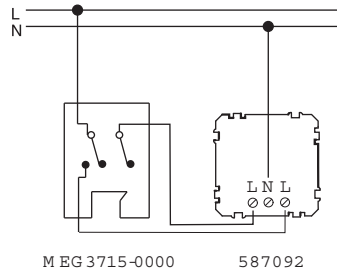
For this application, the rocker for two-circuit switch (4356.. and 4326..) is available with the imprint "bell crossed through" and "chambermaid".

If both illuminated areas should light up at the same time, use the series switch insert (MEG3115-0000, MEG3615-0000, MEG3515-0000) instead of the shutter rocker switch insert. The series switch insert is connected in the same way but has no reverse voltage protection.

- **LED light insert 587090/91/93/94, single-colour:** Two-way switch insert (MEG3116-0000, MEG3616-0000, MEG3516-0000).

### Connect insert

Connection to the shutter rocker switch insert with mechanical reverse voltage protection:

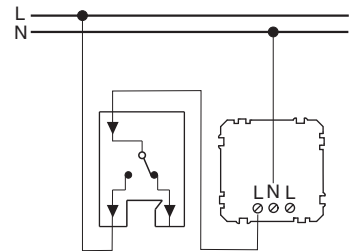


#### NOTICE

**The insert may be damaged if two different phases are connected.**

- Only connect the same phase to the L connection terminals.

Connection to the two-way switch insert:



MEG3116-0000 587090/91/93/94  
MEG3616-0000  
MEG3516-0000



#### NOTICE

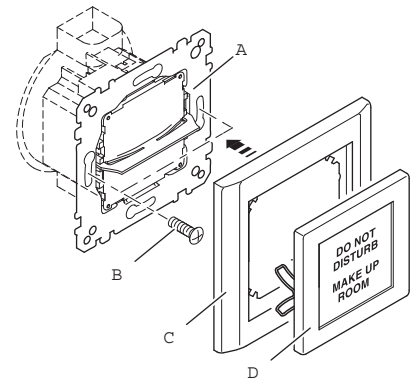
**The insert can be damaged.**

Power transmission via the two L connection terminals can destroy the device.

- Only ever connect one L connection terminal.
- Do not use the L connection terminals for through-wiring

### Install insert

You can install the LED light signal insert in any size 60 installation box (flush-mounted box, hollow wall box, cable duct box.).

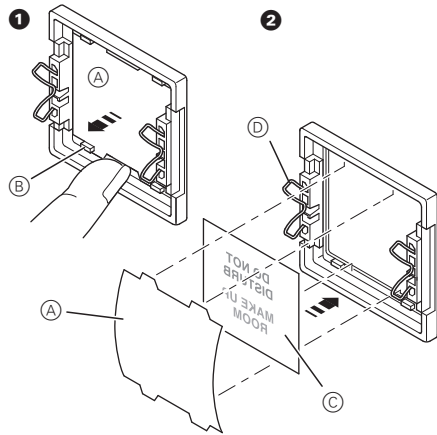


- (A) Insert on flush-mounted box
- (B) Screws
- (C) Frame
- (D) Central plate with viewing window

- ① Using the screws provided, screw the supporting ring of the LED light signal insert onto the flush-mounted socket.
- ② Clip the central plate with window onto the supporting ring, together with the frame.

## Insert the desired film into the central plate with window

The central plate with window is supplied with a retaining film already inserted. This retaining film serves the purpose of securing the symbol film in the central plate with window.



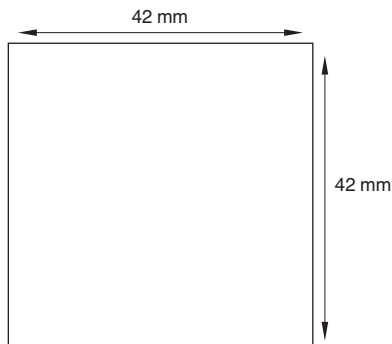
- (A) Retaining film
- (B) Lug
- (C) Symbol film
- (D) Spring

- 1 Remove retaining film (A). To do this, insert your fingernail underneath the lug (B) and peel off the retaining film.
- 1 Insert symbol film (C) towards the front in the central plate with window. While doing this, springs (D) of the central plate must be to the left and right of the printed motif.
- 1 Insert retaining film (A) into the central plate with window again. To do this, push the retaining film under the lugs (B).

## Create individual films

Using the Merten lettering software, you can easily create individual films for the LED light signal insert.

Alternatively, you can create your own template according to the dimensioned sketch pictured.



Please consult the operating manual for your printer to find out which films you can use.

## Clean the central plate with window

Wipe the central plate with window with a moderately damp cloth and, if necessary, rub dry with a lint-free cloth.



Do not use harsh cleaning agents or those which contain solvents to clean the central plate with window. Do not spray cleaning agents directly onto the central plate, as excess cleaning agent could get underneath the central plate.

## Technical Data

Supply voltage:	AC 120 V - 230 V / 60 Hz AC 150 V - 230 V / 50 Hz
Protection type:	IP 20
Dimensions LED light signal insert (W x H x D):	50.2 x 46.5 x 32 mm (without separating web and supporting ring)
Dimensions of central plate (W x H):	55.5 x 55.5 mm



Dispose of the device separately from household waste at an official collection point. Professional recycling protects people and the environment against potential negative effects.

## Merten GmbH

Fritz-Kotz-Str. 8  
51674 Wiehl - Germany  
[se.com/contact](http://se.com/contact)

**Schneider**  
Electric