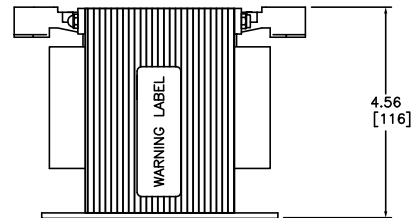
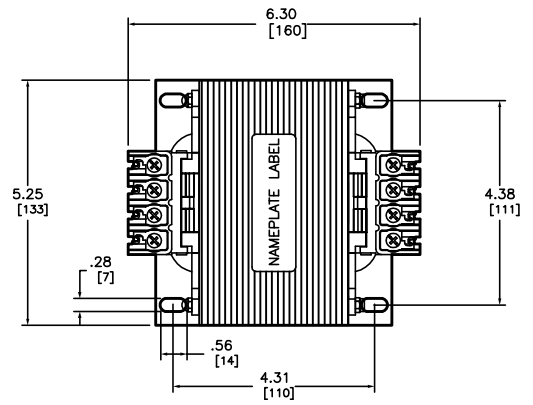


j:\wip\209\control_online\5865.dwg 07/22/2008 12:14:59 PM

| CATALOG NUMBER | PRIMARY VOLTAGE | SECONDARY VOLTAGE | 50/60 Hz 1 PHASE | | APPROXIMATE WEIGHT (Lbs/Kg) |
|----------------|---|-----------------------------|-----------------------------|-----------------|-----------------------------|
| | | | UL/cUL/CSA/NOM RATINGS (VA) | CE RATINGS (VA) | |
| 9070T750D18 | 208/277/380 | 95/115 | 750 | 500 | 20.8 / 9.4 |
| 9070T750D20 | 208/230/460 | 115 | 750 | 500 | 21.0 / 9.5 |
| 9070T750D32 | 220/440/550 230/460/575 240/480/800 | 90/110 95/115 100/120 | 750 | 500 | 20.8 / 9.4 |
| 9070T750D51 | 208/277 | 120 | 750 | 500 | 20.9 / 9.4 |
| 9070T750D95 | 208/240/480 200/230/460 220/440 | 120 115 110 | 750 | 500 | 20.1 / 9.1 |



FILES/STANDARDS:
 UL/cUL FILE: E61239
 CSA FILE: LR37055
 CE: TUV CERTIFIED TO 61558
 NOM 117

750VA—CONTROL POWER TRANSFORMER
 9070 TYPE T
 CATALOG NUMBERS: FROM CHART



DWG# 5865
 NO.