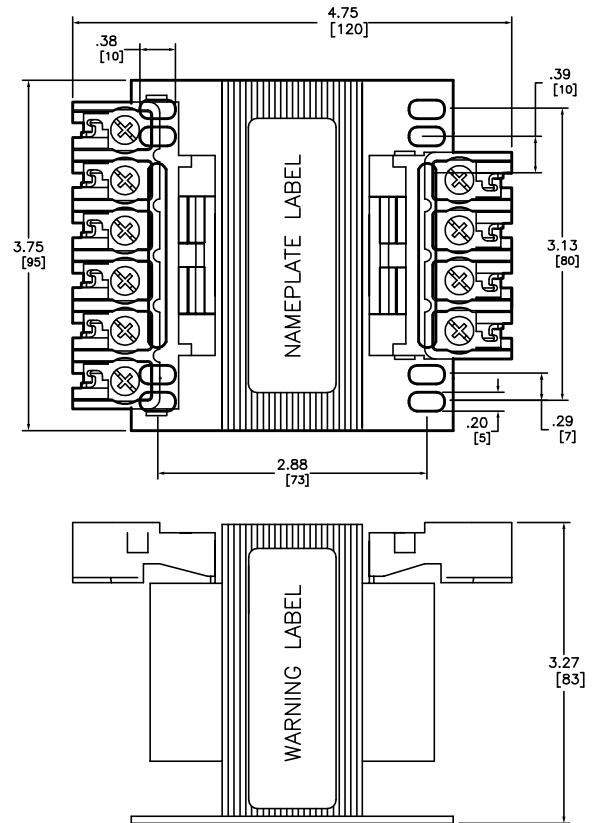


CATALOG NUMBER	PRIMARY VOLTAGE	SECONDARY VOLTAGE	50/60 Hz 1 PHASE		APPROXIMATE WEIGHT (Lbs/Kg)
			UL/cUL/CSA/NOM RATINGS (VA)	CE RATINGS (VA)	
9070T100D19	208/240/277/380/480	24	150	150	6.3 / 2.8
9070T100D50	240/416/480/600 230/400/460/575 220/380/440/550 208/500	99/120/130 95/115/125 91/110/120 85/100/110	150	150	7.2 / 3.2



FILES/STANDARDS:
 UL/cUL FILE: E61239
 CSA FILE: LR37055
 CE: TUV CERTIFIED TO 61558
 NOM 117

100VA—CONTROL POWER TRANSFORMER
 9070 TYPE T
 CATALOG NUMBERS: FROM CHART



DWG# 5848
 NO.