

# SpaceLogic Sensors

## Pressure - Dry Differential Analog

### EP Series



#### Product Description

The SpaceLogic EP Series pressure sensors can measure either air pressure or velocity with the flip of a switch. The EP is available in three installation configurations: duct, panel or universal. Duct and panel models have two pressure and velocity options: 0-1 in. WC/ 0-3,000 ft/min or 1-10 in. WC / 3,000-6,000 ft/min with four field-selectable sub-ranges. The universal model comes in one pressure/velocity range: 0-10 in. WC / 0-7,000 ft/min with seven field-selectable sub-ranges for pressure and eight for velocity. All variants are available with and without display. The EP has an IP65/NEMA 4 environmental rating and a 5-year limited warranty.

**Note: This product is intended for use in HVAC and building environmental control applications. It is not intended for direct medical monitoring of patients.**

#### Features

- High reliability sensor technology for long-term, maintenance-free operation
- Seven pressure and eight velocity sub-ranges with three selectable outputs for easy on-the-job setup
- IP65/NEMA 4 housing allows mounting in wash-down locations
- Circuit protection avoids damage due to incorrect input wiring

#### Available Products

<p>EP</p> <p>Enclosure</p> <p><input type="checkbox"/> D</p> <p>D = Duct P = Panel</p>	<p>Accuracy</p> <p><input type="checkbox"/> 30</p> <p>30 = 1%</p>	<p>Range</p> <p><input type="checkbox"/> 1</p> <p>1 = <u>Pressure</u>: 0 to 1 in. WC, 0 to 250 Pa <u>Velocity</u>: 0 to 3,000 ft/min, 0 to 15 m/s</p> <p><input type="checkbox"/> 2</p> <p>2 = <u>Pressure</u>: 1 to 10 in. WC, 250 to 2,500 Pa <u>Velocity</u>: 3,000 to 6,000 ft/min, 15 to 30 m/s</p>	<p>Local Display</p> <p><input type="checkbox"/> Blank</p> <p>Blank = No Display LCD = LCD Display</p>	<p>Wireless Technology</p> <p><input type="checkbox"/> S</p> <p>S = Standard, No Wireless Technology</p>
<p>EP</p> <p>Enclosure</p> <p><input type="checkbox"/> U</p> <p>U = Universal</p>	<p>Accuracy</p> <p><input type="checkbox"/> 30</p> <p>30 = 1%</p>	<p>Range</p> <p><input type="checkbox"/> 5</p> <p>5 = <u>Pressure</u>: 0 to 10 in. WC, 0 to 2,500 Pa <u>Velocity</u>: 0 to 7,000 ft/min, 0 to 35 m/s</p>	<p>Local Display</p> <p><input type="checkbox"/> Blank</p> <p>Blank = No Display LCD = LCD Display</p>	<p>Wireless Technology</p> <p><input type="checkbox"/> S</p> <p>S = Standard, No Wireless Technology</p>

USA: +1 888-444-1311  
Europe: +46 10 478 2000  
Asia: +65 6484 7877  
www.schneider-electric.com

Life Is On



## Specifications

Media Compatibility	Dry or inert gas
Input Power	Three-wire Volt mode: 24 Vac or 12-30 Vdc*, Two-wire mA mode: 12-30 Vdc*
Output Power	Field-selectable: 2-wire, loop-powered 4-20 mA Minimum input voltage for 4-20 mA operation: 250 $\Omega$ loop = 12 Vdc; 500 $\Omega$ loop = 19 Vdc (DC only, clipped and capped), 24 Vac/dc or 3-wire 0-5V/0-10V Minimum load resistance for Volt operation: 5 k $\Omega$
Pressure Range 1	<u>Pressure mode:</u> Unidirectional: 0.1/0.25/0.5/1 in. WC, switch selectable Bidirectional: $\pm 0.1/\pm 0.25/\pm 0.5/\pm 1$ in. WC, switch selectable Unidirectional: 25/50/100/250 Pa, switch selectable Bidirectional: $\pm 25/\pm 50/\pm 100/\pm 250$ Pa, switch selectable <u>Velocity mode:</u> 500/1,000/2,000/3,000 ft/min, 2.5/5/10/15 m/s
Pressure Range 2	<u>Pressure mode:</u> Unidirectional: 1.0/2.5/5/10 in. WC, switch selectable Bidirectional: $\pm 1.0/\pm 2.5/\pm 5/\pm 10$ in. WC, switch selectable Unidirectional: 250/500/1,000/2,500 Pa, switch selectable Bidirectional: $\pm 250/\pm 500/\pm 1,000/\pm 2,500$ Pa, switch selectable <u>Velocity mode:</u> 3,000/4,000/5,000/6,000 ft/min, 15/20/25/30 m/s
Pressure Range 5	<u>Pressure mode:</u> Unidirectional: 0.1/0.25/0.5/1/2.5/5/10 in. WC, switch selectable Bidirectional: $\pm 0.1/\pm 0.25/\pm 0.5/\pm 1/\pm 2.5/\pm 5/\pm 10$ in. WC, switch selectable Unidirectional: 25/50/100/250/500/1,000/2,500 Pa, switch selectable Bidirectional: $\pm 25/\pm 50/\pm 100/\pm 250/\pm 500/\pm 1,000/\pm 2,500$ Pa, switch selectable <u>Velocity mode:</u> 500/1,000/2,000/3,000/4,000/5,000/6,000/7,000 ft/min, 2.5/5/10/15/20/25/30/35 m/s
Response Time	Standard: T95 in 20 sec, Fast: T95 in 2 sec, DIP switch selectable
Mode	Unidirectional or bidirectional, DIP switch selectable
Display (Option)	Pressure mode: Signed 3-1/2 digit LCD, indicates pressure, overrange indicator Velocity mode: Signed 4-1/2 digit LCD, indicates velocity, overrange indicator
Proof Pressure	3 psid (20,600 Pa)
Burst Pressure	5 psid (34,500 Pa)
Pressure Mode Accuracy	$\pm 1\%$ FS (combined linearity and hysteresis)
Velocity Mode Accuracy	$\pm 90$ ft/min ( $\pm 0.45$ m/s) plus 5% of measured value**
Temperature Effect	1 in. WC (250 Pa) models: 0.05%/°C; 10 in. WC (2,500 Pa) models: 0.01%/°C (Relative to 25 °C) 0 to 50 °C (32 to 122 °F)
Zero Drift (1 year)	1 in. WC (250 Pa) models: 2.5% FS typ.; 10 in. WC (2,500 Pa) models: 0.25% FS typ.
Zero Adjust	Pushbutton auto-zero and digital input (2-position terminal block)
Operating Environment	-20 to 60 °C (-4 to 140 °F)***
Altitude of Operation	0 to 3,000 m
Pollution Degree	2
Humidity Range	100% RH, non-condensing
Mounting Location	For indoor or outdoor use (display will not function below 0 °C (32 °F))
Fittings	Brass barb; 0.24" (6.1 mm) o.d.
Environmental Rating	IP65, NEMA 4
Flammability Rating	UL 94 5VA fire retardant ABS, plenum rated
Limited Warranty	5 years

EMC Conformance: EN 61000-6-3 and A1, Class B, EN 61000-6-1, EN61326-1 and EN61326-2-3.

\* Class 2/II power source.

\*\* For measured values between 200 and 7,000 ft/min (1 and 35 m/s).

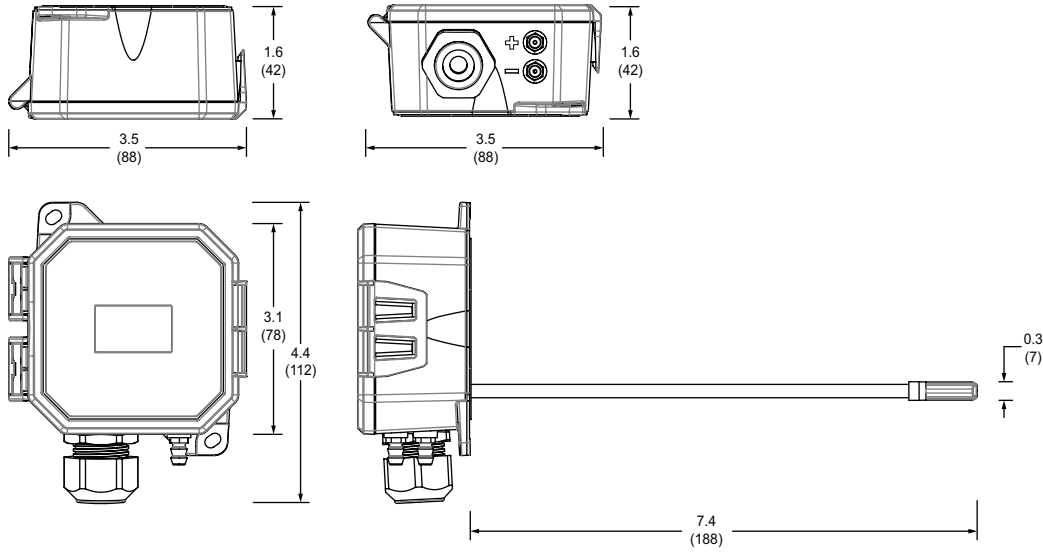
\*\*\* Display will not function below 0 °C (32 °F).

USA: +1 888-444-1311  
Europe: +46 10 478 2000  
Asia: +65 6484 7877  
www.schneider-electric.com

Life Is On

**Schneider**  
Electric

Dimensions in. (mm)



Accessories

VFXP Series Air Velocity Measurement Probe\*

Velocity Pitot Tubes, 8-5/8", 12-5/8", 18-5/8"  
(AA18, AA19, AA20)\*

Static-04 Pick-up - 4" Duct Static Pickup Probe (AA06)

Static-08 Pick up - 8" Duct Static Pickup Probe (AA07)

Wall Plate Remote Pickup (AA56)

\*For use with EPP (panel) and EPU (universal) models in Velocity mode only. Sold separately.



USA: +1 888-444-1311  
Europe: +46 10 478 2000  
Asia: +65 6484 7877  
www.schneider-electric.com

Life Is On

