

DATASHEET

41E350PBT2SM-VW

Pushbutton 2-wire 350 W Timer with ControlLink

Application

The 350W pushbutton timer is a 2 wire, 350 W maximum rated device suitable for controlling dimmable LED, electronic low voltage lighting transformers, iron core low voltage lighting transformers and incandescent halogen lamps. The tactile pushbutton has been designed to match the pushbutton dimmer and electronic switch with respect to look and feel. A user menu allows for customisation of features such as LED indicator behaviour and timer durations.

The 2 wire pushbutton timer includes Clipsal's ControlLink technology that allows for multi-way control over conventional mains wiring.

Clipsal's simple momentary ControlLink switch (Cat No 41EPBM-VW) can be connected so that low cost multi-way switching/remote triggering can be achieved without the need for expensive secondary switch mechanisms. ControlLink will also operate with conventional electro-mechanical momentary switches

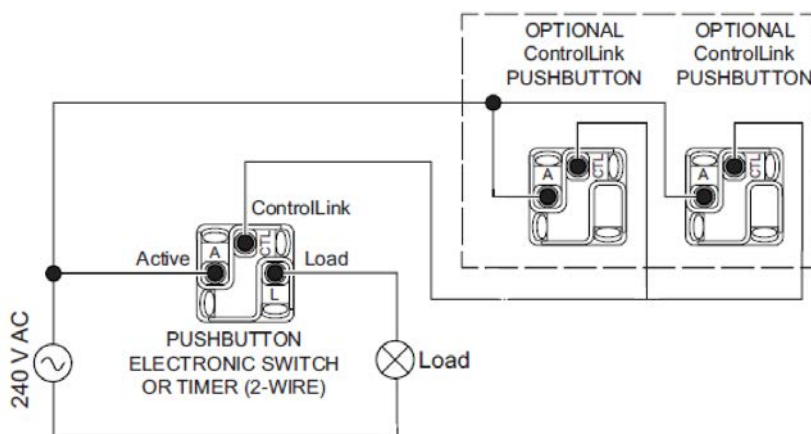
The robust design includes over-temperature, over-current as well as short circuit protection.

Features

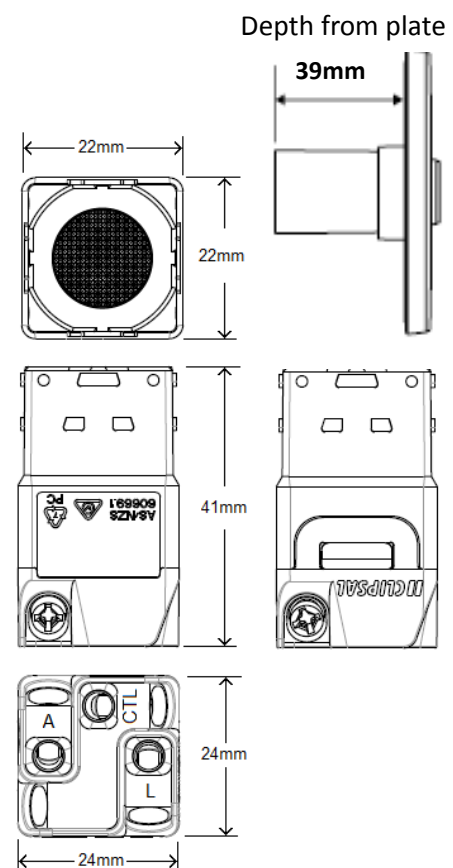
- Configurable LED Indicator
- Configurable time delays from 30 seconds to 4 hours
- ControlLink for multi-way remote triggering
- 2 wire design, 350W max (dimmable loads only – Not for motors)
- Integrally switched
- In-built over-current and over-temperature protection
- In-built short-circuit protection
- Supplied with Vivid White (VW) push button assembly.
- Additional colour buttons through optional parts packs
- Optimised for controlling Clipsal TPD series LEDs.



Clipsal
TPDL1C1
LEDs



Example Switching Application



Life Is On

CLIPSAL
by Schneider Electric

Specifications

Operating Voltage:	220-240V ac 50Hz
Maximum Load:	350 W, Min: 10W (use a 31LCDA if required)
Switching Technique:	Semiconductor
Operating Temperature:	0°-45° C
Ambient Operating Humidity:	5% ~ 90% Relative Humidity, Non-Condensing
Storage Temperature:	0°-60° C
Storage Humidity:	5% ~ 90% Relative Humidity, Non-Condensing
Protection:	Short circuit, Over Current and Over Temperature
Connections Terminals:	Screw type, square head & combination head (Suits: 3x1.5mm ² cable, Torque: 0.8Nm)
LED Indicator:	Warm white
Multi-way Control:	Remote triggering via ControlLink, using conventional wiring. (Max cable length: 30m)
Configurable Time Delays:	30 sec, 60 sec, 5 min, 15 min, 30 min, 1 hr, 2 hrs & 4 hrs
Compatible Loads:	*LED lighting with compatible electronic transformers
Notes: Not for Motor loads. Use Iconic 3 wire timer for motors and non dimmable loads	Incandescent lighting, Halogen 240 V lamps
	Low voltage halogen/dichroic lighting with compatible electronic transformers
	Low voltage halogen/dichroic lighting with compatible iron core transformers
	Dimmable Linear and Compact Fluorescent Lamps
*Visit Clipsal.com/load for recommended Clipsal LEDs (other LEDs may not be compatible, use 31LCDA if required)	

Derating Details

Mechanisms per Plate	Maximum load per mechanism
1	350 W
2	250 W
3	220 W
4	175 W
5	120 W
6	100 W

Ordering details

Catalogue No.	Description
41E350PBT2SM-VW	Pushbutton 350 W Timer with ControlLink (Note: Supplied with VW push button assembly)
Accessories	
40APB-VW	PB Mech Colour Cap- Vivid White (pk 5)
40APB-WY	PB Mech Colour Cap- Warm Grey (pk 5)
40APB-CY	PB Mech Colour Cap- Cool Grey (pk 5)
40APB-AN	PB Mech Colour Cap- Anthracite (pk 5)



40APB-AN

Note: Suitable for 40 Mech compatible wall plates (e.g. Iconic). Not suitable for 30 series apertures.

Schneider Electric (Australia) Pty Ltd

Contact us: clipsal.com/feedback

National Customer Care Enquiries:

Tel 1300 2025 25 Fax 1300 2025 56

New Zealand National Customer Care Enquiries:

Tel 0800 652 999 Fax 0800 101 152

Life Is On

CLIPSAL
by Schneider Electric

Schneider Electric (Australia) Pty Ltd reserves the right to change specifications, modify designs and discontinue items without incurring obligation and whilst every effort is made to ensure that descriptions, specifications and other information in this catalogue are correct, no warranty is given in respect thereof and the company shall not be liable for any error therein.

© 2015 Schneider Electric. All Rights Reserved.

Trademarks are owned by Schneider Electric Industries SAS or its affiliated companies.