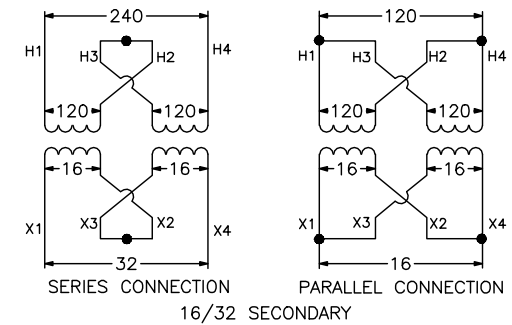
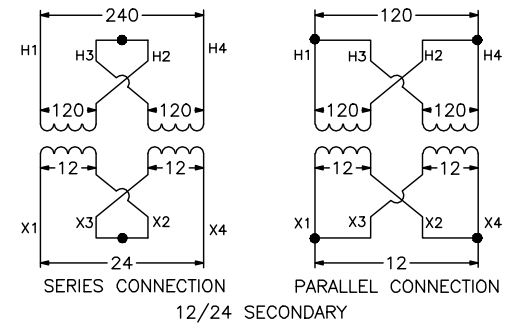
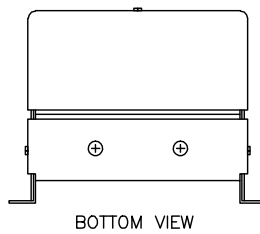
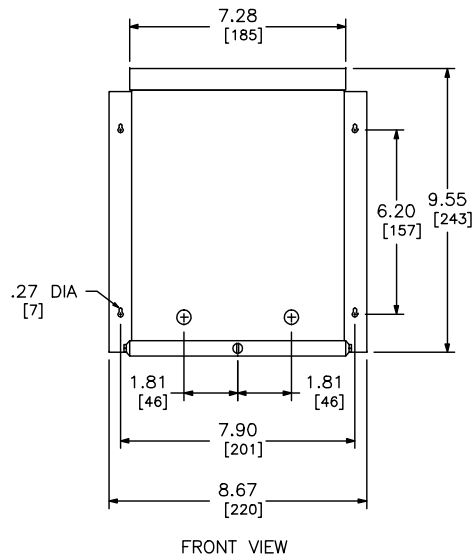
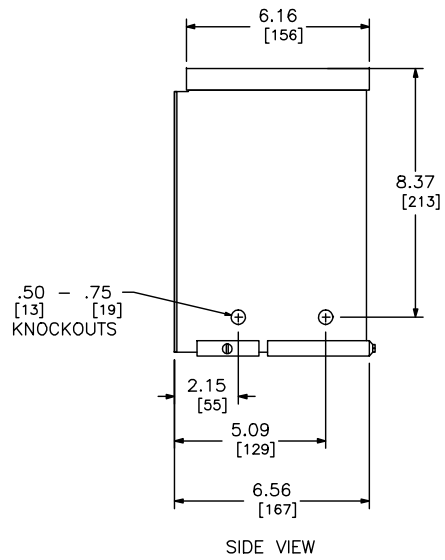


BUCK AND BOOST TRANSFORMER
 2.0 KVA 1Ø 60HZ
 120 X 240V PRIMARY



SEISMIC QUALIFICATION:
 TO BE COMPLIANT WITH THE SEISMIC REQUIREMENTS OF
 ASCE/SEI7, THIS UNIT HAS BEEN QUALIFIED BY SHAKE
 TABLE TESTING THROUGH SELF CERTIFICATION TO ICC
 ES AC156. THE ENCLOSURE SHOWN ABOVE IS 9A. CONTACT
 YOUR LOCAL SCHNEIDER ELECTRIC/SQUARE D REPRESENTATIVE
 FOR RELATED QUESTIONS.

NOTES:
 UL/CUL LISTED
 NEMA 3R NON-VENTILATED ENCLOSURE
 COPPER WOUND
 185°C INSULATION SYSTEM FOR 115°C RISE
 EPOXY-RESIN ENCAPSULATED

DUAL DIMENSIONS: INCHES
 MILLIMETERS

KVA	CATALOG NUMBERS		TEMP. RISE	WGT LBS
	12/24 SECONDARY	16/32 SECONDARY		
2.0	2S43F	2S46F	115°C	39.1

BUCK AND BOOST TRANSFORMERS
 2.0 KVA 1PH 60HZ
 120 X 240V PRIMARY



DWG# 3620
 No.