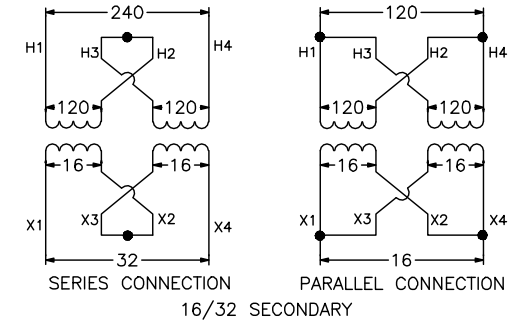
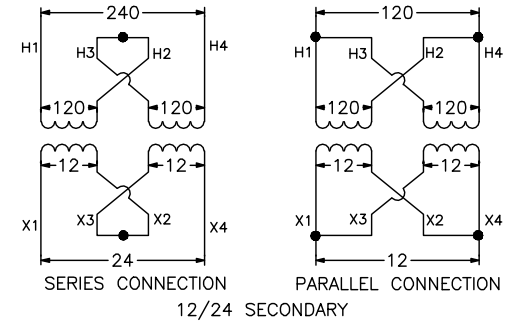
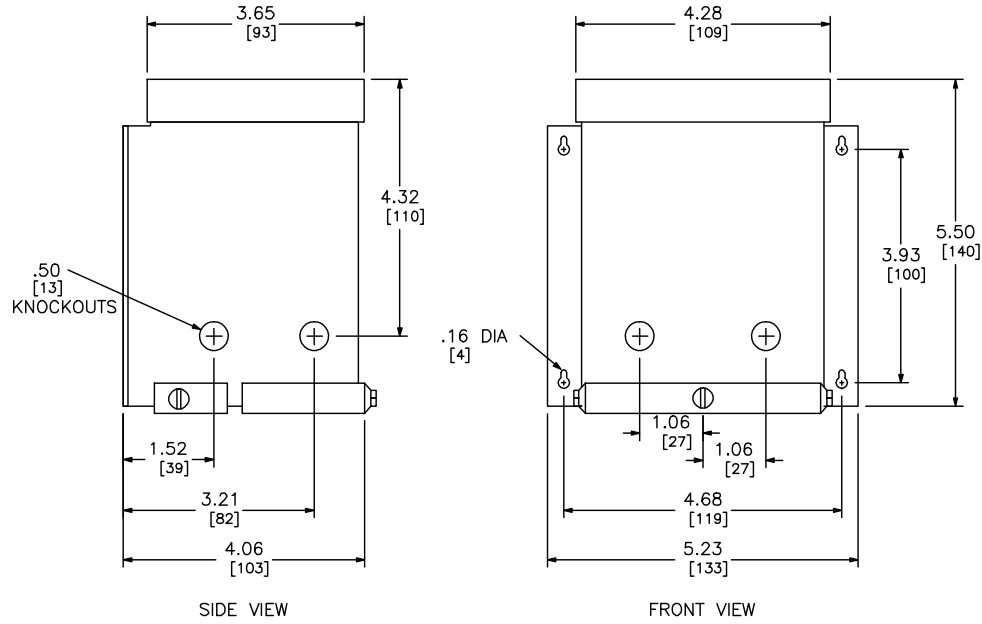


BUCK AND BOOST TRANSFORMER  
 .250 KVA 1Ø 60HZ  
 120 X 240V PRIMARY



SEISMIC QUALIFICATION:  
 TO BE COMPLIANT WITH THE SEISMIC REQUIREMENTS OF ASCE/SEI7, THIS UNIT HAS BEEN QUALIFIED BY SHAKE TABLE TESTING THROUGH SELF CERTIFICATION TO ICC ES AC156. THE ENCLOSURE SHOWN ABOVE IS 4A. CONTACT YOUR LOCAL SCHNEIDER ELECTRIC/SQUARE D REPRESENTATIVE FOR RELATED QUESTIONS.

NOTES:  
 UL/CUL LISTED  
 NEMA 3R NON-VENTILATED ENCLOSURE  
 COPPER WOUND  
 150°C INSULATION SYSTEM FOR 80°C RISE  
 EPOXY-RESIN ENCAPSULATED

DUAL DIMENSIONS: INCHES  
 MILLIMETERS

KVA	CATALOG NUMBERS		TEMP. RISE	WGT LBS
	12/24 SECONDARY	16/32 SECONDARY		
.250	250SV43B	250SV46B	80°C	10.5

BUCK AND BOOST TRANSFORMERS  
 .250 KVA 1PH 60HZ  
 120 X 240V PRIMARY



DWG# 3615  
 No.