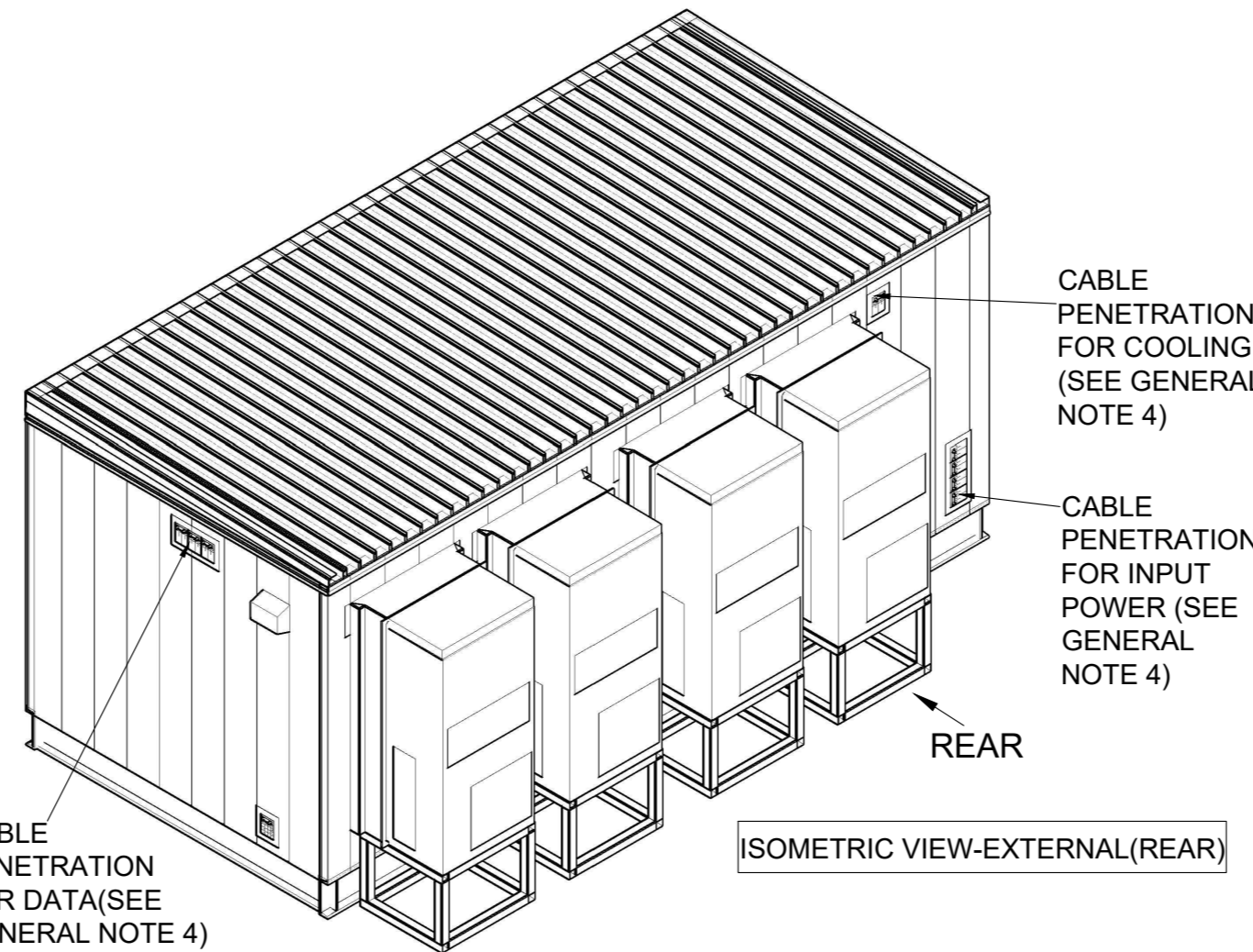
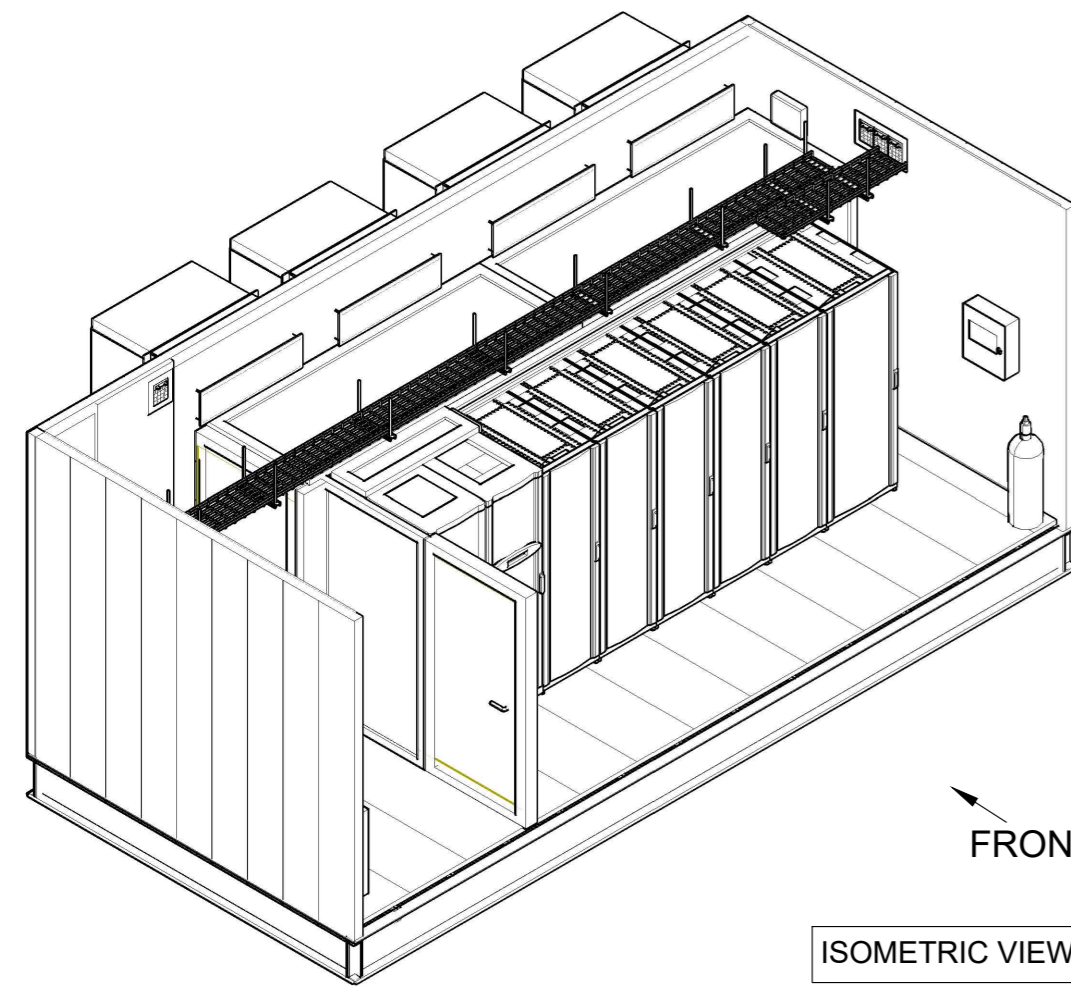
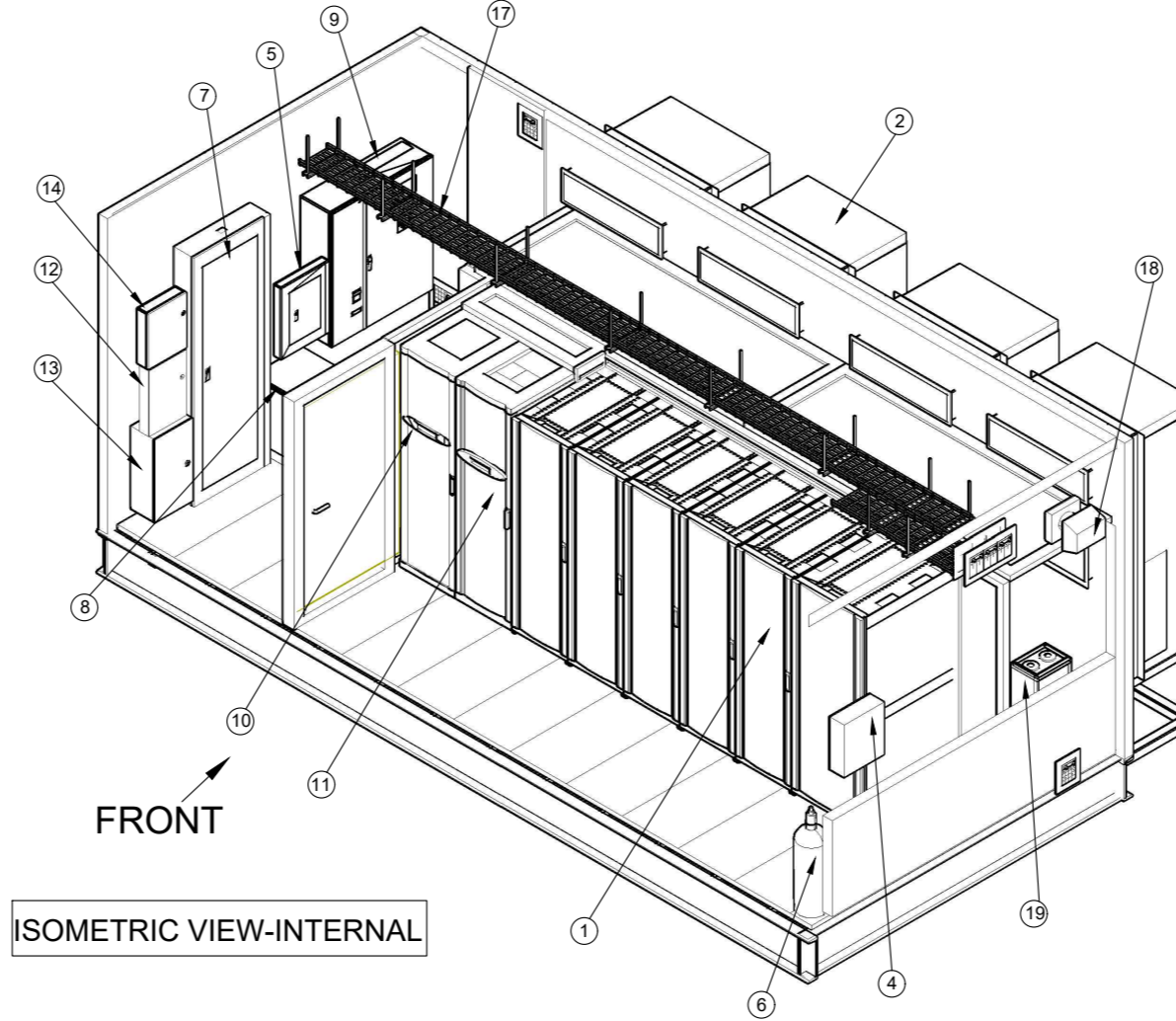
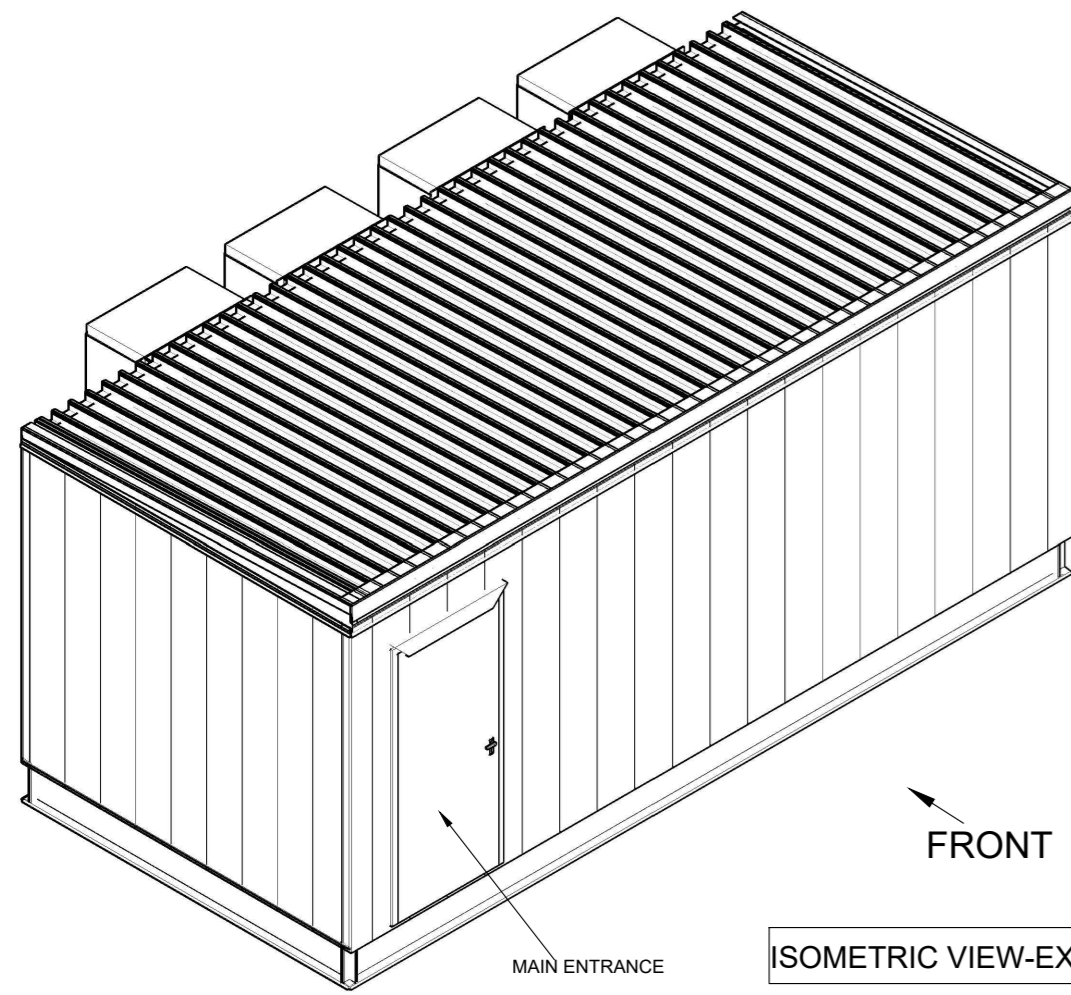


**NOT FOR CONSTRUCTION**

\* - UNLESS OTHERWISE SPECIFIED QUANTITY IS ONE

| SL.NO. | DESCRIPTION*   |
|--------|--|
| 1      | IT Racks-(qty 5) 42Ux600x1200, (qty 1) 42Ux750x1200  |
| 2      | Wall Mount Cooling Unit(Typical)-WMF0661(qty 4)      |
| 3      | Aisle Containment                                    |
| 4      | Fire Alarm Control Panel                             |
| 5      | 208V/120V Distribution Panel                         |
| 6      | Fire Suppression Cylinder                            |
| 7      | 480V Main Distribution Panel                         |
| 8      | 480-208/120V Step Down Transformer                   |
| 9      | ASCO-300 Automatic Transfer Switch(Service Entrance) |
| 10     | UPS Symmetra PX40 with Batteries                     |
| 11     | Power Distribution Cabinet for Symmetra PX40 UPS     |
| 12     | Generator Annunciator Panel(Optional)                |
| 13     | Control Panel  |
| 14     | Access Control Panel(Optional)                       |
| 15     | 120V Receptacle(Typical, See sectional views)        |
| 16     | DX-Control Panel                                     |
| 17     | Cable Tray(Typical)                                  |
| 18     | Energy Recovery Ventilator System                    |
| 19     | Humidifier(Optional)                                 |



**GENERAL NOTES:**

1. INSTALLATION SHALL COMPLY WITH ALL APPLICABLE NATIONAL, STATE AND LOCAL CODES.
2. PLEASE REFER TO PRODUCT DOCUMENTATION FOR FURTHER INFORMATION.
3. UNLESS OTHERWISE SPECIFIED, ALL DIMENSIONS ARE IN INCHES[MILLIMETERS].
4. REFER TO ELECTRICAL DRAWINGS FOR OBTAINING CONDUIT SIZES AND THE EXACT LOCATIONS OF CABLE/CONDUIT PENETRATIONS FOR INPUT POWER, DATA CABLES AND COOLING SYSTEM.
5. REFER TO THE ELECTRICAL DRAWINGS FOR SPECIFIC DETAILS ON THE ELECTRICAL SYSTEM.

| REV | DESCRIPTION   | DRWN | DATE      | ENGR | DATE | APPR | DATE |
|-----|---|------|-----------|------|------|------|------|
| 0   | THIS DRAWING IS BASED ON DRAWING NUMBER PLACEHOLDER - INITIAL RELEASE |      | DD-MMM-YY |      |      |      |      |

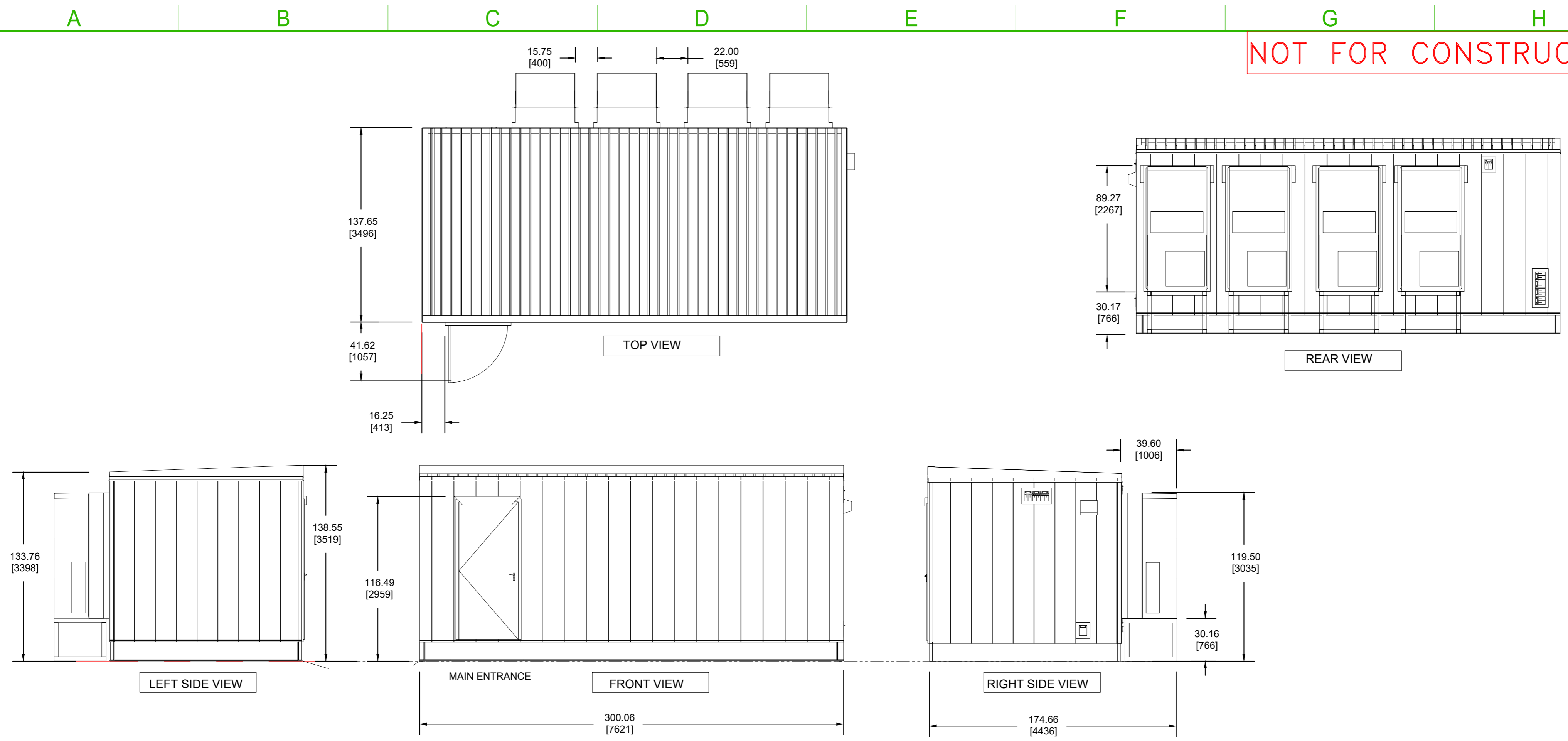
  

| REVISIONS  |   |
|--|---|
| <p>THIS DRAWING AND SPECIFICATIONS HEREIN ARE THE PROPERTY OF SCHNEIDER ELECTRIC AND SHALL NOT BE COPIED, REPRODUCED OR USED IN WHOLE OR IN PART, AS THE BASIS FOR THE MANUFACTURE OR SALE OF ITEMS WITHOUT WRITTEN PERMISSION FROM SCHNEIDER ELECTRIC. THIS DRAWING IS BASED UPON LATEST AVAILABLE INFORMATION AND IS SUBJECT TO CHANGE WITHOUT NOTICE.</p> | <p>TITLE: PREFAB CONFIGURATION-2<br/>35KW, ROOM COOLING, 6-RACKS<br/>INPUT - 480V,3PH,4W<br/>OUTPUT - 208V,3PH,4W<br/>ISOMETRIC VIEWS</p> <p>PROJECT: INTouch#/DESIGN PORTAL IS# / SHEET 1 OF 3</p> |

|                                  |  |
|----------------------------------|--|
| <p><b>Schneider Electric</b></p> | <p>DWG NO: PEMIEC040D1N5D</p> <p>REV: A/0</p> <p>DATE: 07-AUG-19</p> <p>ENGINEER: X XXX</p> <p>APPROVED: X XXX</p> |
|----------------------------------|--|

NOT FOR CONSTRUCTION

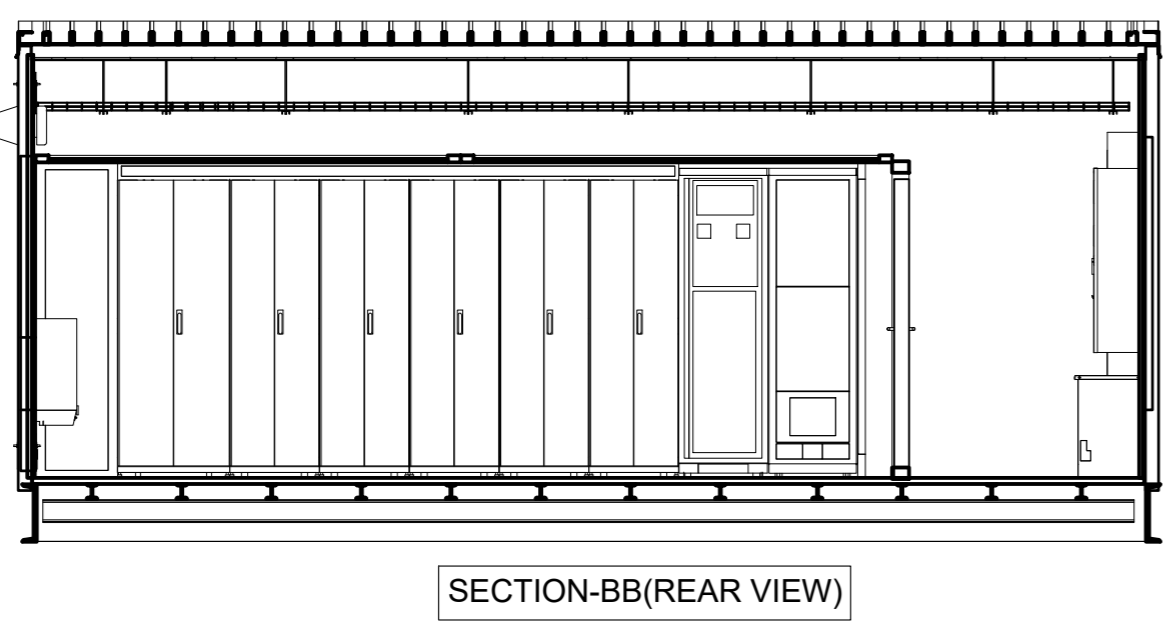
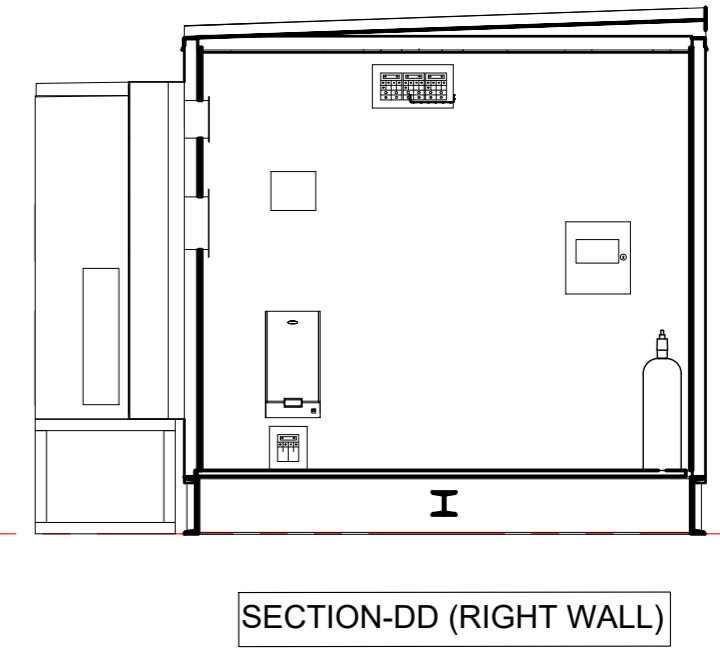
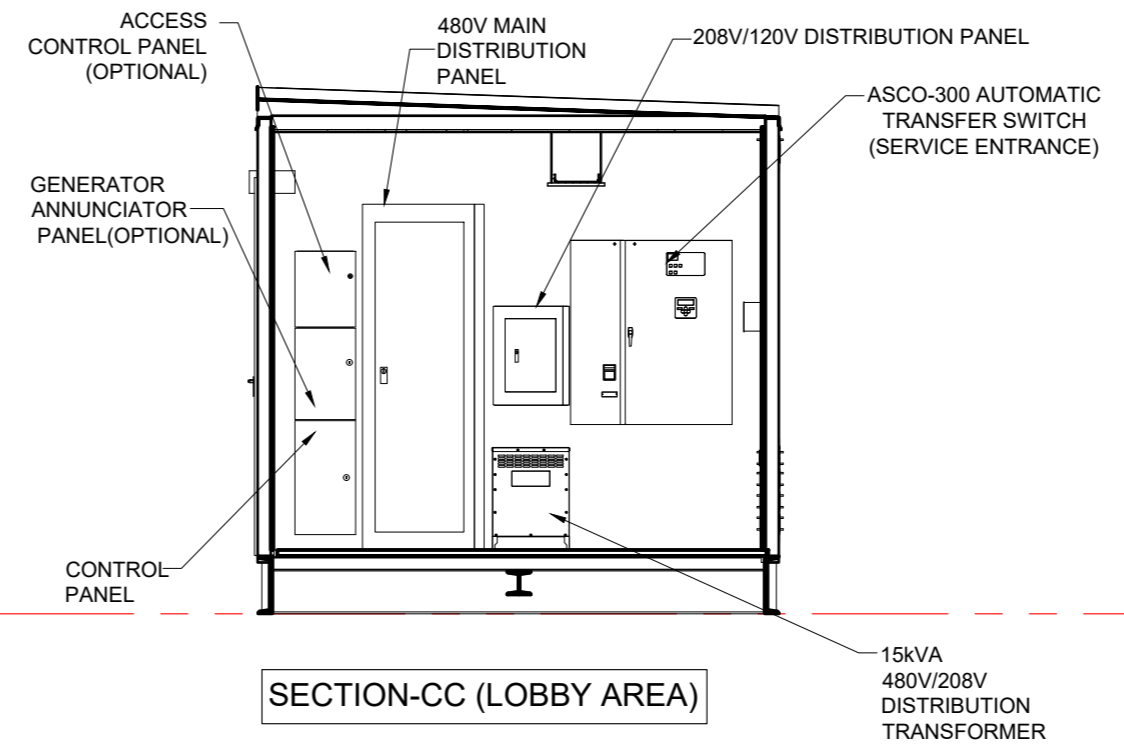
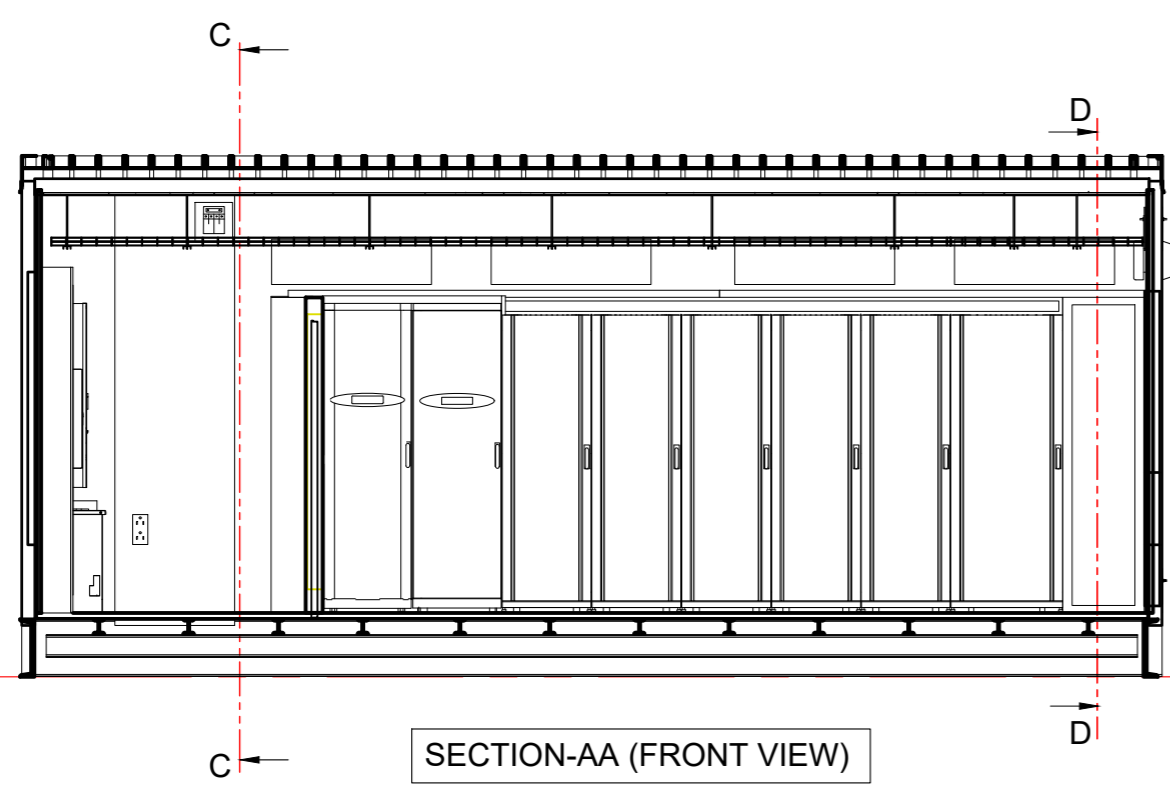
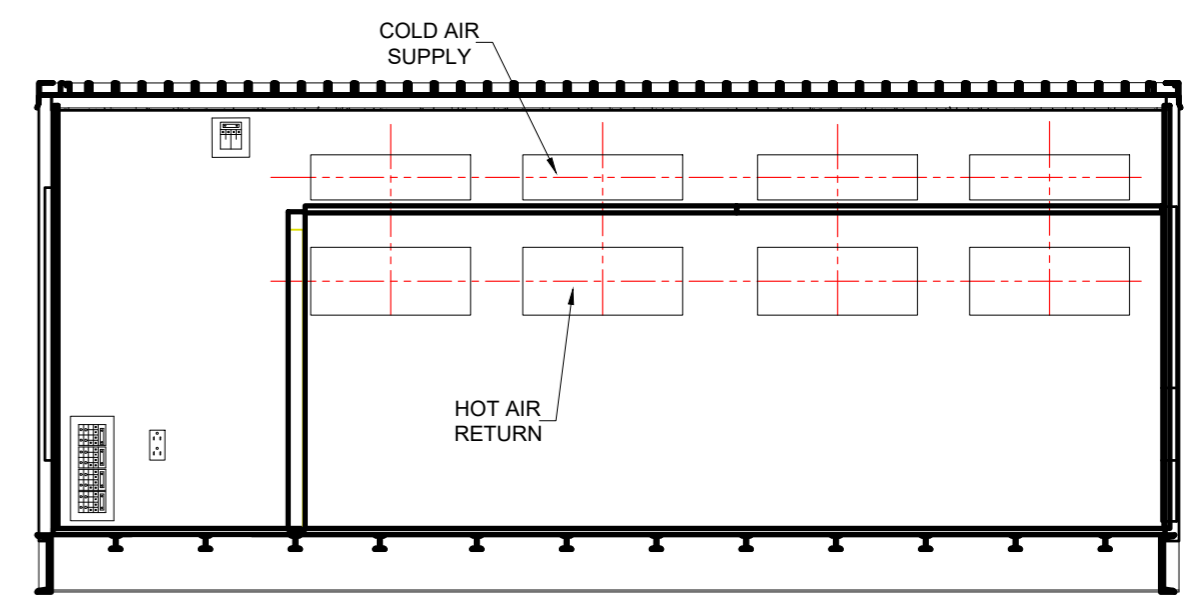
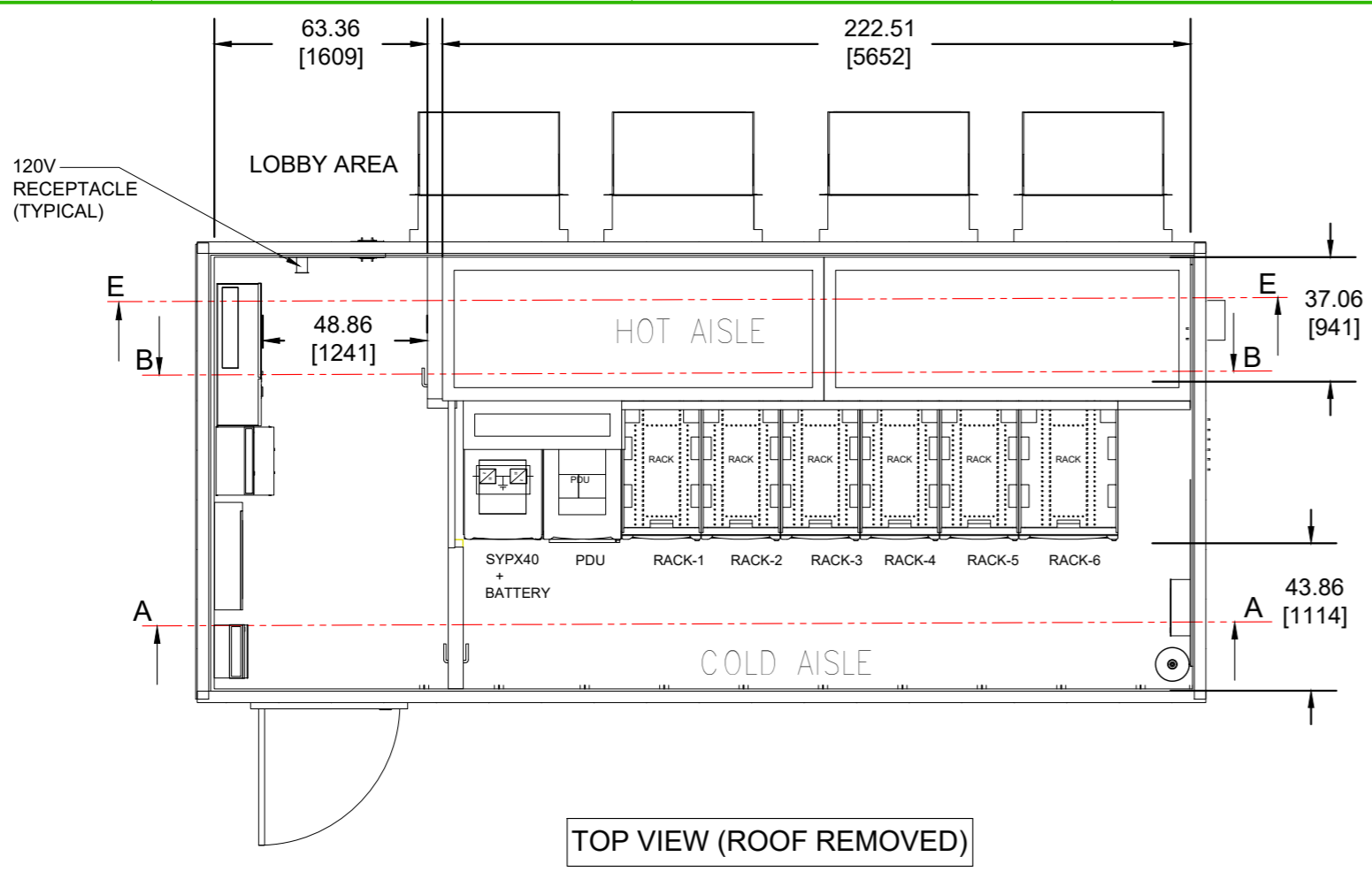


**GENERAL NOTES:**

1. INSTALLATION SHALL COMPLY WITH ALL APPLICABLE NATIONAL, STATE AND LOCAL CODES.
2. PLEASE REFER TO PRODUCT DOCUMENTATION FOR FURTHER INFORMATION.
3. UNLESS OTHERWISE SPECIFIED, ALL DIMENSIONS ARE IN INCHES[MILLIMETERS].
4. REFER TO ELECTRICAL DRAWINGS FOR OBTAINING CONDUIT SIZES AND THE EXACT LOCATIONS OF CABLE/CONDUIT PENETRATIONS FOR INPUT POWER, DATA CABLES AND COOLING SYSTEM.
5. REFER TO THE ELECTRICAL DRAWINGS FOR SPECIFIC DETAILS ON THE ELECTRICAL SYSTEM.

| FILENAME/PATH:  |   |                           |      |  |           |   |
|---|---|---------------------------|------|--|-----------|---|
| 0   | THIS DRAWING IS BASED ON DRAWING NUMBER PLACEHOLDER - INITIAL RELEASE |                           |      |  | DD-MMM-YY |   |
| REV   | DESCRIPTION   | DRWN                      | DATE | ENGR   | DATE      | APPR  |
| REVISIONS   |   |                           |      |  |           |   |
| THIS DRAWING AND SPECIFICATIONS HEREIN ARE THE PROPERTY OF SCHNEIDER ELECTRIC AND SHALL NOT BE COPIED, REPRODUCED OR USED IN WHOLE OR IN PART, AS THE BASIS FOR THE MANUFACTURE OR SALE OF ITEMS WITHOUT WRITTEN PERMISSION FROM SCHNEIDER ELECTRIC. THIS DRAWING IS BASED UPON LATEST AVAILABLE INFORMATION AND IS SUBJECT TO CHANGE WITHOUT NOTICE. |   | <b>Schneider Electric</b> |      | TITLE: PREFAB CONFIGURATION-2<br>35KW, ROOM COOLING, 6-RACKS<br>INPUT - 480V,3PH,4W<br>OUTPUT - 208V,3PH,4W<br>GENERAL ARRANGEMENT |           | DWG NO: PEMIEC040D1N5D<br>DRAWN: K.NAGENDRA<br>ENGINEER: X XXX<br>APPROVED: X XXX |
| PROJECT: NTOUCHE/DESIGN PORTAL ISV#   |   |                           |      | SHEET 2 OF 3   |           | REV: A/0<br>DATE: 07-AUG-19<br>THIRD ANGLE PROJECTION                             |

NOT FOR CONSTRUCTION



- GENERAL NOTES:**
1. INSTALLATION SHALL COMPLY WITH ALL APPLICABLE NATIONAL, STATE AND LOCAL CODES.
  2. PLEASE REFER TO PRODUCT DOCUMENTATION FOR FURTHER INFORMATION.
  3. UNLESS OTHERWISE SPECIFIED, ALL DIMENSIONS ARE IN INCHES[MILLIMETERS].
  4. REFER TO ELECTRICAL DRAWINGS FOR OBTAINING CONDUIT SIZES AND THE EXACT LOCATIONS OF CABLE/CONDUIT PENETRATIONS FOR INPUT POWER, DATA CABLES AND COOLING SYSTEM.
  5. REFER TO THE ELECTRICAL DRAWINGS FOR SPECIFIC DETAILS ON THE ELECTRICAL SYSTEM.

| REV | DESCRIPTION   | DRWN | DATE      | ENGR | DATE | APPR | DATE |
|-----|---|------|-----------|------|------|------|------|
| 0   | THIS DRAWING IS BASED ON DRAWING NUMBER PLACEHOLDER - INITIAL RELEASE |      | DD-MMM-YY |      |      |      |      |

| REVISIONS   |   |
|---|---|
| THIS DRAWING AND SPECIFICATIONS HEREIN ARE THE PROPERTY OF SCHNEIDER ELECTRIC AND SHALL NOT BE COPIED, REPRODUCED OR USED IN WHOLE OR IN PART, AS THE BASIS FOR THE MANUFACTURE OR SALE OF ITEMS WITHOUT WRITTEN PERMISSION FROM SCHNEIDER ELECTRIC. THIS DRAWING IS BASED UPON LATEST AVAILABLE INFORMATION AND IS SUBJECT TO CHANGE WITHOUT NOTICE. | <p>TITLE: PREFAB CONFIGURATION-2<br/>35KW, ROOM COOLING, 6-RACKS<br/>INPUT - 480V,3PH,4W<br/>OUTPUT - 208V,3PH,4W<br/>SECTIONAL VIEWS</p> <p>DWG NO: PEMIEC040D1N5D<br/>DRAWN: K.NAGENDRA 07-AUG-19<br/>ENGINEER: X XXX DD-MMM-YY<br/>APPROVED: X XXX DD-MMM-YY</p> <p>PROJECT: INTOUCH#/DESIGN PORTAL IS# SHEET 3 OF 3</p> |

