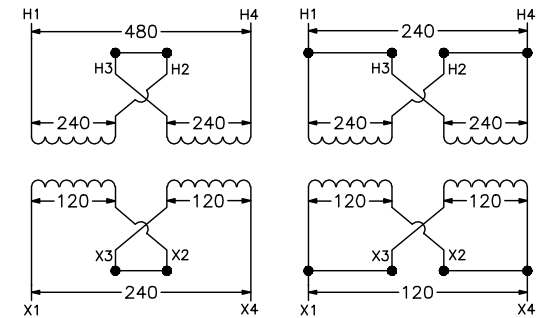
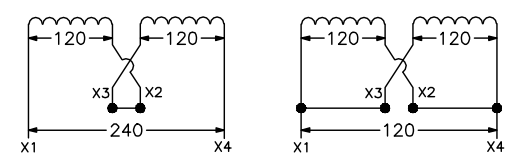
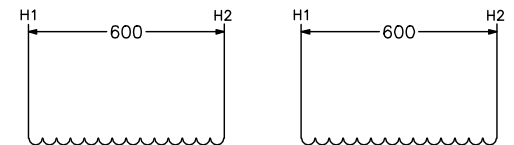


GENERAL-PURPOSE TRANSFORMER
 .750 KVA 1Ø 60HZ
 120/240V SECONDARY



SERIES CONNECTION PARALLEL CONNECTION
 240 X 480 VOLT PRIMARY



SERIES CONNECTION PARALLEL CONNECTION
 600 VOLT PRIMARY

DUAL DIMENSIONS: INCHES
 MILLIMETERS

KVA	CATALOG NUMBERS		TEMP. RISE	SOUND LEVEL	WGT LBS
	240 X 480 PRIMARY	600 PRIMARY			
.750	750SV1F	750SV51F	115°C	40 DB	15.5

SEISMIC QUALIFICATION:
 TO BE COMPLIANT WITH THE SEISMIC REQUIREMENTS OF ASCE/SEI7, THIS UNIT HAS BEEN QUALIFIED BY SHAKE TABLE TESTING THROUGH SELF CERTIFICATION TO ICC ES AC156. THE ENCLOSURE SHOWN ABOVE IS 6A. CONTACT YOUR LOCAL SCHNEIDER ELECTRIC/SQUARE D REPRESENTATIVE FOR RELATED QUESTIONS.

NOTES:
 UL / CUL LISTED
 NEMA 3R NON-VENTILATED ENCLOSURE
 COPPER WOUND
 185°C INSULATION SYSTEM FOR 115°C RISE
 EPOXY-RESIN ENCAPSULATED

GENERAL-PURPOSE TRANSFORMER .750 KVA 1PH 60HZ 120/240V SECONDARY	 Schneider Electric
DWG# 3578 No.	