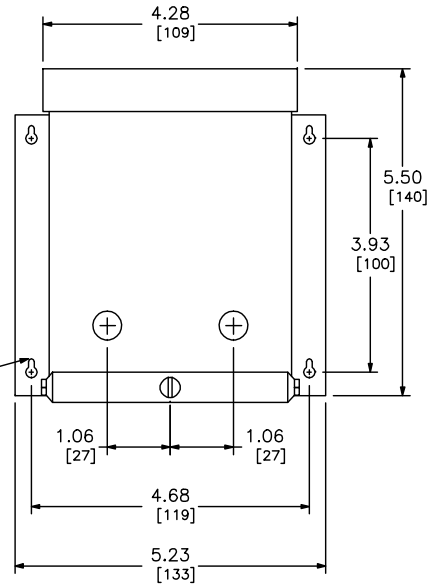
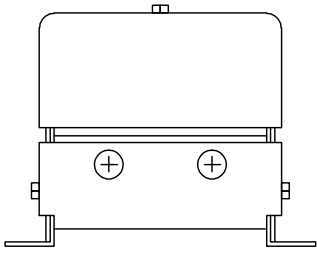


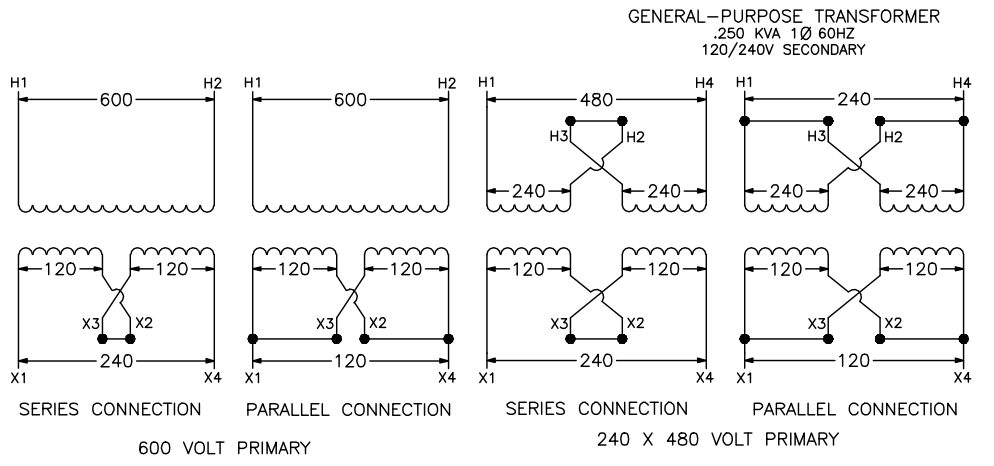
SIDE VIEW



FRONT VIEW



BOTTOM VIEW



SEISMIC QUALIFICATION:  
 TO BE COMPLIANT WITH THE SEISMIC REQUIREMENTS OF ASCE/SEI7, THIS UNIT HAS BEEN QUALIFIED BY SHAKE TABLE TESTING THROUGH SELF CERTIFICATION TO ICC ES AC156. THE ENCLOSURE SHOWN ABOVE IS 4A. CONTACT YOUR LOCAL SCHNEIDER ELECTRIC/SQUARE D REPRESENTATIVE FOR RELATED QUESTIONS.

DUAL DIMENSIONS: INCHES  
 MILLIMETERS

KVA	CATALOG NUMBERS		TEMP. RISE	SOUND LEVEL	WGT LBS
	240 X 480 PRIMARY	600 PRIMARY			
.250	250SV1B	250SV51B	80°C	40 DB	10.5

NOTES:  
 UL/CUL LISTED  
 NEMA 3R NON-VENTILATED ENCLOSURE  
 COPPER WOUND  
 150°C INSULATION SYSTEM FOR 80°C RISE  
 EPOXY-RESIN ENCAPSULATED

<b>GENERAL-PURPOSE TRANSFORMER</b> .250 KVA 1PH 60HZ 120/240V SECONDARY	 <b>Schneider Electric</b>
DWG# 3576 No.	