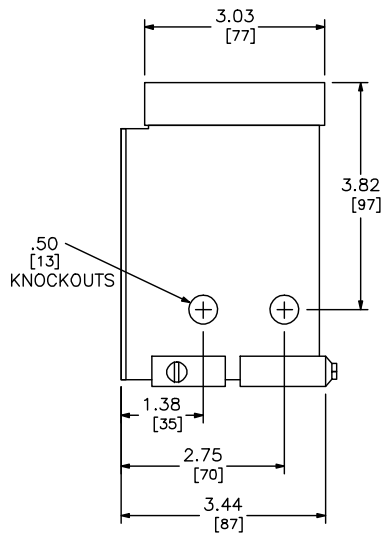
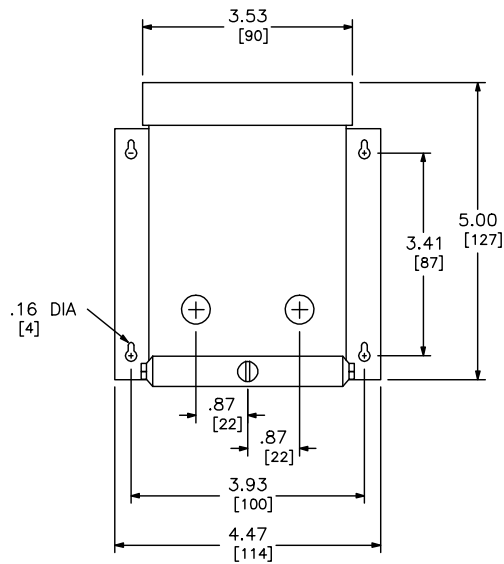


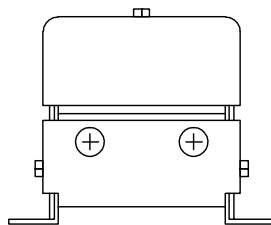
GENERAL-PURPOSE TRANSFORMER  
 .050KVA 1Ø 60HZ  
 120/240V SECONDARY



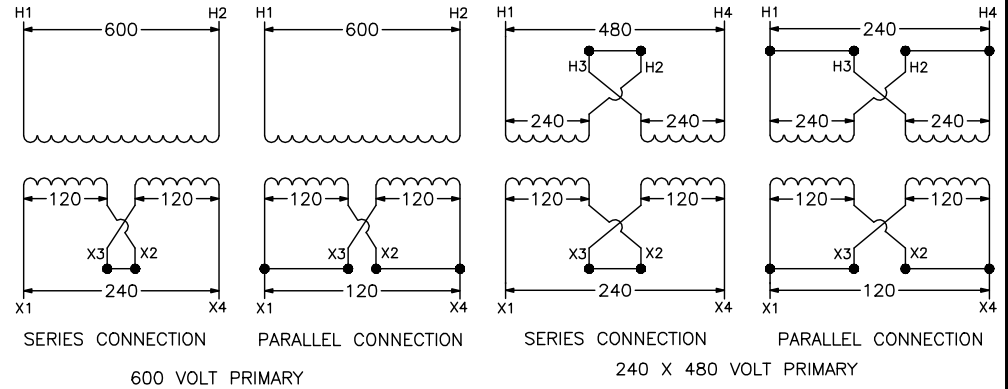
SIDE VIEW



FRONT VIEW



BOTTOM VIEW



SEISMIC QUALIFICATION:  
 TO BE COMPLIANT WITH THE SEISMIC REQUIREMENTS OF ASCE/SEI7, THIS UNIT HAS BEEN QUALIFIED BY SHAKE TABLE TESTING THROUGH SELF CERTIFICATION TO ICC ES AC156. THE ENCLOSURE SHOWN ABOVE IS 1A. CONTACT YOUR LOCAL SCHNEIDER ELECTRIC/SQUARE D REPRESENTATIVE FOR RELATED QUESTIONS.

DUAL DIMENSIONS: INCHES  
 MILLIMETERS

KVA	CATALOG NUMBERS		TEMP. RISE	SOUND LEVEL	WGT LBS
	240 X 480 PRIMARY	600 PRIMARY			
.050	50SV1A	50SV51A	55°C	40 DB	4.2

NOTES:  
 UL/CUL LISTED  
 NEMA 3R NON-VENTILATED ENCLOSURE  
 COPPER WOUND  
 105°C INSULATION SYSTEM FOR 55°C RISE  
 EPOXY-RESIN ENCAPSULATED

GENERAL-PURPOSE TRANSFORMER  
 .050 KVA 1PH 60HZ  
 120/240V SECONDARY



DWG# 3573  
 No.