

DATASHEET

348PBTM-VW

Pushbutton 2-wire 350 W Timer with ControlLink

Application

The 350W pushbutton timer is a 2 wire, 350 W maximum rated device suitable for controlling dimmable LED, electronic low voltage lighting transformers, iron core low voltage lighting transformers and incandescent halogen lamps. The tactile pushbutton has been designed to match the pushbutton dimmer and electronic switch with respect to look and feel. A user menu allows for customisation of features such as LED indicator behaviour and timer durations.

The 2 wire pushbutton timer includes ControlLink technology that allows for multi-way control over conventional mains wiring.

The Iconic simple momentary ControlLink switch (Cat No 356PBSS-VW) can be connected so that low cost multi-way switching/remote triggering can be achieved without the need for expensive secondary switch mechanisms. ControlLink will also operate with conventional electro-mechanical momentary switches

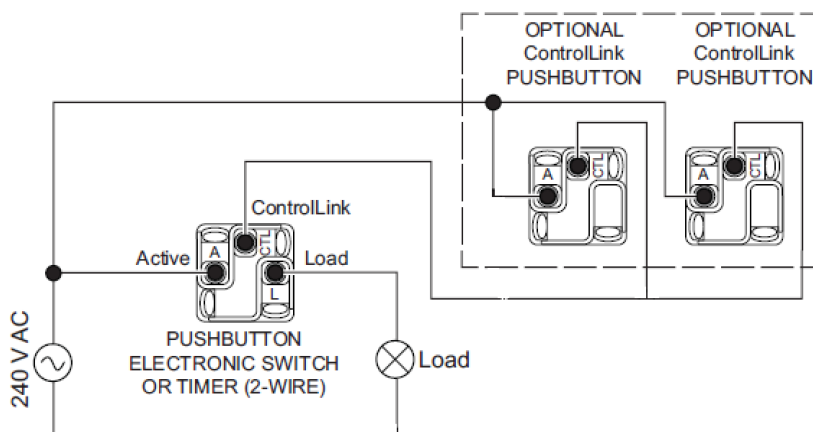
The robust design includes over-temperature, over-current as well as short circuit protection.

Features

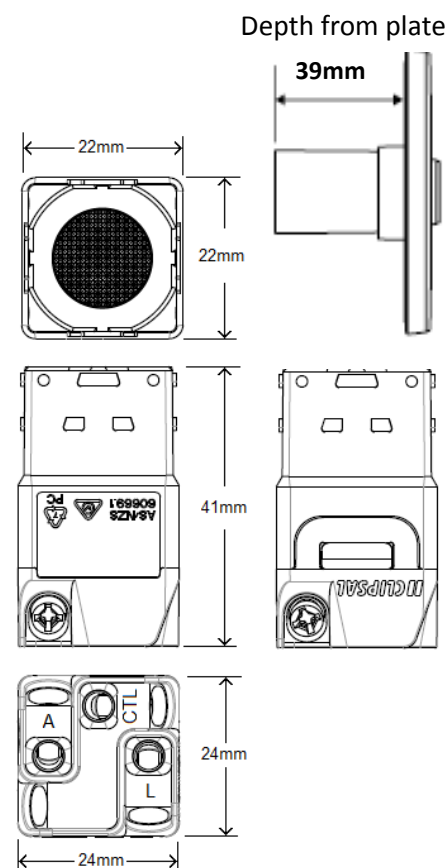
- Configurable LED Indicator
- Configurable time delays from 30 seconds to 4 hours
- ControlLink for multi-way remote triggering
- 2 wire design, 350W max (dimmable loads only – Not for motors)
- Integrally switched
- In-built over-current and over-temperature protection
- In-built short-circuit protection
- Supplied with Vivid White (VW) push button assembly.
- Additional colour buttons through optional parts packs
- Optimised for controlling Clipsal TPD series LEDs.



TPDL1C1 LEDs



Example Switching Application



Life Is On



by Schneider Electric

Specifications

| | |
|--|---|
| Operating Voltage: | 220-240V ac 50Hz |
| Maximum Load: | 350 W, Min: 10W (use a 31LCDA if required) |
| Switching Technique: | Semiconductor |
| Operating Temperature: | 0°-45° C |
| Ambient Operating Humidity: | 5% ~ 90% Relative Humidity, Non-Condensing |
| Storage Temperature: | 0°-60° C |
| Storage Humidity: | 5% ~ 90% Relative Humidity, Non-Condensing |
| Protection: | Short circuit, Over Current and Over Temperature |
| Connections Terminals: | Screw type, square head & combination head (Suits: 3x1.5mm ² cable, Torque: 0.8Nm) |
| LED Indicator: | Warm white |
| Multi-way Control: | Remote triggering via ControlLink, using conventional wiring. (Max cable length: 30m) |
| Configurable Time Delays: | 30 sec, 60 sec, 5 min, 15 min, 30 min, 1 hr, 2 hrs & 4 hrs |
| Compatible Loads: | *LED lighting with compatible electronic transformers |
| Notes: Not for Motor loads. Use Iconic 3 wire timer for motors and non dimmable loads | Incandescent lighting, Halogen 240 V lamps |
| | Low voltage halogen/dichroic lighting with compatible electronic transformers |
| | Low voltage halogen/dichroic lighting with compatible iron core transformers |
| | Dimmable Linear and Compact Fluorescent Lamps |
| *Some LEDs may not be compatible, use 31LCDA if required) | |

Derating Details

| Mechanisms per Plate | Maximum load per mechanism |
|----------------------|----------------------------|
| 1 | 350 W |
| 2 | 250 W |
| 3 | 220 W |
| 4 | 175 W |
| 5 | 120 W |
| 6 | 100 W |

Ordering details

| Catalogue No. | Description |
|---------------|--|
| 356PBTM-VW | Pushbutton 350 W Timer with ControlLink (Note: Supplied with VW push button assembly) |
| Accessories | |
| 300PBC-VW | PB Mech Colour Cap- Vivid White (pk 5) |
| 300PBC-WY | PB Mech Colour Cap- Warm Grey (pk 5) |
| 300PBC-CY | PB Mech Colour Cap- Cool Grey (pk 5) |
| 300PBC-AN | PB Mech Colour Cap- Anthracite (pk 5) |



300PBC-AN

PDL New Zealand Ltd

38 Business Parade South, East Tamaki, Auckland 2013

Phone: + 64 (9) 829 0490

Fax: + 64 (9) 829 0491

Customer Care: 0800 652 999 Email: sales@nz.schneider-electric.com

www.pdl.co.nz

Life Is On



by Schneider Electric

As standards, specifications and designs change from time to time, always as for confirmation of the information given in this publication.